

FOR MORE INFORMATION CALL CLARK TRANSMISSION @ 973.227.4422



maurey

**Power
Transmission
Products**

**Standard Products Catalog
and List Prices**

VISIT OUR WEB SITE AT WWW.CLARKTR.COM



Table of Contents

LIGHT DUTY SHEAVES AND ACCESSORIES <ul style="list-style-type: none"> ● Part Numbers ● Sizes ● Dimensions ● Weights 	Hi-Q* No-Hub Sheaves	A-1
	Reducing Bushings & XA Bushings	A-1
	Hi-Q* Bored to Size Sheaves up to 10 H.P. Groove	A2-A6
	HQ* Bushed-Type Sheaves up to 20 H.P.	A7-A8
	HQ* Bushings/ Weld-On Hubs For HQ Bushings	A-9
	Steel Shaft Collars	A-9
	HQ Bushing Installation Instructions	A-10
AIR MOVEMENT SHEAVES <ul style="list-style-type: none"> ● Dimension/ Weights 	Air Movement Sheaves	B1
	Variable Pitch Sheaves One and Two Groove up to 20 H.P.	B2-B5
	Variable Pitch Installation Instructions	B6-B7
INTEGRAL H.P. SHEAVES/BUSHINGS <ul style="list-style-type: none"> ● Part Numbers ● Weights ● Dimensions 	Ful-Grip* (QD**) Bushings	C1-C5
	Installation and Removal of QD Sheaves	C6
	Useful Engineering Formulas	C8
	Multi-V Ful-Grip (QD Sheaves) - A, B, C, D	C9-C19
	Nema Motor Standards	C-20
WEDGE SHEAVES	Super Wedge Sheaves - 3V, 5V, 8V	D1-D9
TIMING PULLEYS <ul style="list-style-type: none"> ● Dimension/ Weights 	Positive Drive*** Pulleys - XL, L, H, XH, XXH	E1-E11
	High Torque Drive Sprockets - 8M, 14M	E12-E16
COUPLINGS <ul style="list-style-type: none"> ● Part Numbers ● Engineering Data ● Drive Selection ● Installation 	Hi-Q* & Hi-Flex* Couplings	F1-F5
	Sleeve Couplings	F6
	Rigid Bushed Couplings	F6
	Applications, Service Factors, and Coupling Selection Data	F7-F10
	Hi-Flex Coupling Installation Instructions	F11-F12
VARIABLE SPEED DRIVES <ul style="list-style-type: none"> ● Drive Selection ● Dimensions ● Engineering Data 	Spring Loaded Sheaves	G1-G2
	Manual Control Sheaves	G3
	Manual Control	G3
	Motor Bases	G3
	Variable Speed Drive Selection Data	G4-G7
BELTS <ul style="list-style-type: none"> ● V-Belts ● Banded Belts ● Synchronous Belts ● Specialty Belts 	Hy-T*** Classical Belts - A, B, C, D	H1-H3
	FHP Belts - 2L, 3L, 4L, 5L	H4
	Torque Flex*** Belts - AX, BX, CX	H5
	HY-T Wedge*** Belts - 3VX, 3V, 5VX, 5V, 8V	H6-H7
	Hy-T Torque Team*** Belts - BX, CX, D	H8-H9
	Hy-T Wedge Torque Team Belts - 3VX, 3V, 5VX, 5V, 8V	H10-H11
	Torque Team (Laminated) Belts - 5VL	H11
	Positive Drive*** Belts - XL, L, H, XH, XXH	H12-H13
	Hawk PD*** Belts - 5M, 8M, 14M, 20M	H14-H15
	Eagle PD*** Belts & Sprockets	H16-H17
	Falcon PD*** Belts	H18
	Dual Positive Drive & HPPD Belts - D-XL, D-L, D-H, D-8M, D-14M	H19-H20
	Poly-V*** Belts - J, L, M	H21
	Variable Speed Belts	H22-H23
	Hex Belts - AA, BB, CC, CCP	H24
	Open End Positive Drive Belts - XL, L, H	H25
	V-Link Belting	H25
	Open End V-Belting - A, B, C, D	H25
	Cotton Ginning Belts & Pulleys - CCP	H25

*Ful-Grip, Hi-Q, HQ, and Hi-Flex are trademarks of Maurey Manufacturing Corp.

**QD is a registered trademark of Emerson Power Transmission.

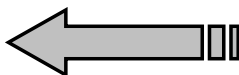
***Registered Trademark of Goodyear



NEW FROM MAUREY....

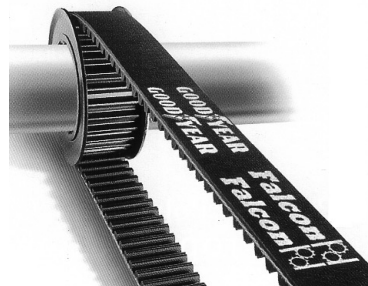
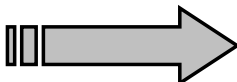
New Products Featured in this Catalog...

External Key Style (VP)
Variable Pitch Sheaves
(Pages B4-B5)



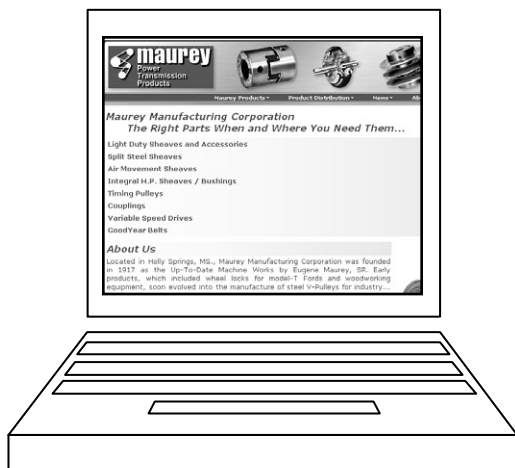
AKH, BKH, 2AKH, 2BKH
Type HQ Bushed Sheaves
(Pages A7-A8)

Goodyear Falcon PD
Synchronous Belts
(Page H18)



Goodyear Eagle PD
Synchronous Belts
(Pages H16-17)

New Maurey Online Resources...



New Updated Websites

Check www.maurey.com for....

**Extensive Product Information Including
Specifications and Online Catalog**

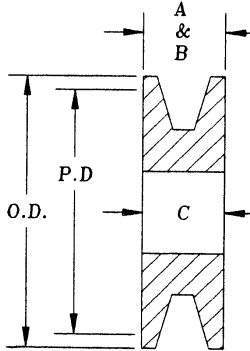
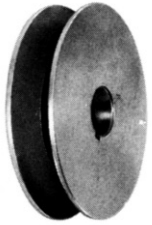
Check www.maurey.biz for....

**Expanded E-Commerce Services
and Special Offers For Distributors**



hi-q bar steel no hub sheaves

for "O" (3L), "A" (4L) and "B" (5L) v-belts



FIXED BORE TYPE

No hub sheaves are zinc phosphated for rust resistance

When ordering specify bore with part number:

For example order NH4300 x 1/2"

for "O" (3L) and "A" (4L) v-belts													
DIAMETER, INCHES			PART NO.	LIST PRICE	STOCK BORES MARKED "X"							Overall Width Inches	Approx. Weight Lbs.
O.D.	D.D. 4L ("A")	D.D. 3L ("O")			3/8 In	1/2 In	5/8 In	3/4 In	7/8 In	1 In	1-1/8 In		
2.0	1.7		NH2200	\$ 10.56	X	X	X*	X*				5/8	0.3
2.1	1.8	1.5	NH2210	\$ 10.60	X	X	X*	X*				5/8	0.3
2.2	1.9	1.6	NH2220	\$ 11.04		X	X*	X*				5/8	0.3
2.3	2.0	1.7	NH2230	\$ 12.00		X	X*	X*				5/8	0.4
2.5	2.2	1.9	NH2250	\$ 13.00		X	X	X	X*	X*	X*	5/8	0.5
2.6	2.3	2.0	NH2260	\$ 14.24		X	X	X	X			5/8	0.6
2.7	2.4	2.1	NH2270	\$ 15.38		X	X	X	X	X*		5/8	0.7
2.8	2.5	2.2	NH2280	\$ 15.56		X	X	X	X	X		5/8	0.7
3.0	2.7	2.4	NH2300	\$ 18.10		X	X	X	X	X	X	5/8	0.9
3.2	2.9	2.6	NH2320	\$ 19.42		X	X	X	X	X	X	5/8	1.0
3.4	3.1	2.8	NH2340	\$ 21.04		X	X	X	X	X	X	5/8	1.2

for "A" (4L) and "B" (5L) v-belts													
DIAMETER, INCHES			PART NO.	LIST PRICE	STOCK BORES MARKED "X"							Overall Width Inches	Approx. Weight Lbs.
O.D.	D.D. 5L ("B")	D.D. 4L ("A")			3/8 In	1/2 In	5/8 In	3/4 In	7/8 In	1 In	1-1/8 In		
2.4	2.0		NH4240	\$ 15.56	X	X	X*	X*	X*			3/4	0.5
2.5	2.1		NH4250	\$ 16.80	X	X	X*	X*	X*	X*		3/4	0.5
2.6	2.2	1.8	NH4260	\$ 17.00		X	X	X*				3/4	0.6
2.7	2.3	1.9	NH4270	\$ 18.10		X	X	X*	X*			3/4	0.6
2.8	2.4	2.0	NH4280	\$ 18.50		X	X	X	X*	X*		3/4	0.7
2.9	2.5	2.1	NH4290	\$ 18.70		X	X	X	X	X*	X*	3/4	0.9
3.0	2.6	2.2	NH4300	\$ 19.04		X	X	X	X	X*	X*	3/4	1.0
3.2	2.8	2.3	NH4320	\$ 20.18		X	X	X	X	X*	X*	3/4	1.1
3.4	3.0	2.4	NH4340	\$ 22.64		X	X	X	X	X	X	3/4	1.3
3.6	3.2	2.6	NH4360	\$ 29.60		X	X	X	X	X	X	3/4	1.4
3.8	3.4	2.8	NH4380	\$ 33.20		X	X	X	X	X	X	3/4	1.5
4.0	3.6	3.2	NH4400	\$ 36.80		X	X	X	X	X	X	3/4	2.2

One Setscrew - Hollow Head, Cup Point

*Setscrew @ 90 Degrees to Keyway (No Setscrew Over Keyway)

For Standard Keyway Dimensions Refer to Table on Page A-2

maurey hi-q reducing bushings for light duty sheaves

type XA bushing

For all 1" Fixed Bore Single Groove Sheaves.
Packed and labeled five to a carton. Order in multiples of five (not sold in broken lots)



Part Number	List Price	O.D. Inches	Stock Bores Inches	Wt Each
XA	\$ 8.40	1	1/2, 5/8, 3/4, 7/8	.2 lbs

* 1/2 and 5/8 Bores Have No Keyway Through Bushing

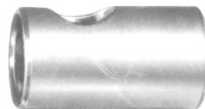
Reboring Non-Stock Bore Sheaves

1 and 2 Groove Cast Iron Fixed Bore. Applicable Within Max Bore Range. No Grouping for Quantity Discount.

Sheave Outside Dia.	List 1 Pc	2-9 List Price	List 10+
1.5 to 5.0 Inches	\$ 35.60	\$ 26.80	\$ 22.00
5.2 to 11.4 Inches	\$ 44.40	\$ 35.60	\$ 26.80
12.0 to 19.0 Inches	\$ 53.20	\$ 44.40	\$ 35.60

Extra Setscrew - List Price \$9.00 for 1 or More

steel reducing bushings



Each bushing ground to fit and has clearance hole for set screw

Order In Multiples of 5 pcs. Not Sold in Broken Lots.

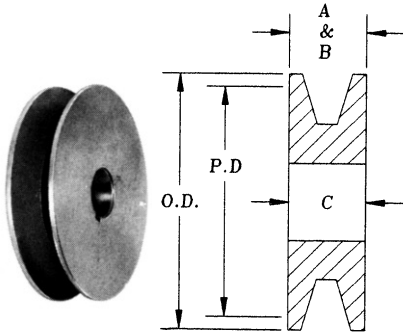
Inside diameter has no keyway

PART NUMBER	LIST PRICE	DIAMETER		LENGTH INCHES
		O.D.	I.D.	
1401	\$ 6.40	1/2	1/4	1-1/4
1402	\$ 6.40	1/2	5/16	1-1/4
1403	\$ 6.40	1/2	3/8	1-1/4
1426	\$ 9.85	1/2	7/16	1-1/4
1404	\$ 6.40	5/8	7/16	1-1/4
1405	\$ 6.40	5/8	1/2	1-1/4
1406	\$ 6.40	3/4	1/2	1-1/4
1408	\$ 6.40	3/4	5/8	1-1/4
1419	\$ 7.20	7/8	5/8	1-1/4
1420	\$ 7.20	7/8	3/4	1-1/4
1418	\$ 8.00	1	5/8	1-1/4
1410	\$ 8.00	1	3/4	1-1/4
1412	\$ 8.00	1	7/8	1-1/4
1427	\$ 9.20	1-1/8	1	1-1/4
1423	\$ 9.20	1-3/16	1	1-1/4
1425	\$ 9.60	1-1/4	3/4	1-1/4
1428	\$ 9.60	1-1/4	7/8	1-1/4
1414	\$ 9.60	1-1/4	1	1-1/4
1416	\$ 9.60	1-1/4	1-1/8	1-1/4



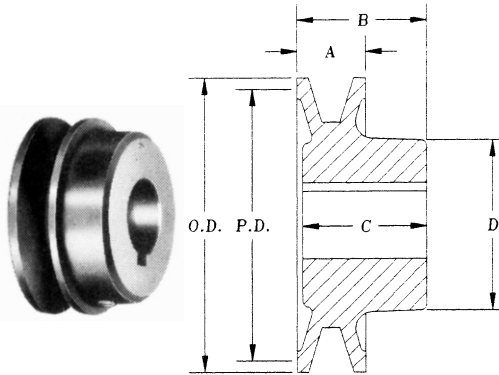
for "O" (3L) v-belts

STYLE 1



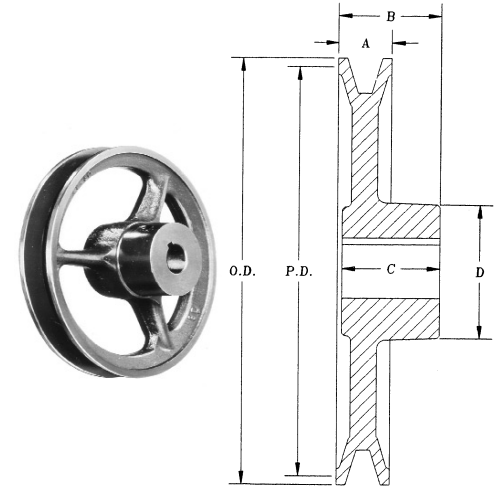
Solid Bar Steel OS14-OS27

STYLE 2



Solid Cast Iron OS32 and OS37

STYLE 3



Spoked Cast Iron OS42-OS102

DIAMETER		PART NUMBER	LIST PRICE	STYLE	STOCK BORES MARKED "X" ▲						MAX BORE INCHES	DIMENSION ▼ - Inches				APPROX. WT LBS.
O.D. INCHES	P.D. INCHES				3/8	1/2	5/8	3/4	7/8	1		A	B	C	D	
1.42	1.25	OS14	\$ 9.00	1	X	X					1/2	1/2	1/2		.3	
1.67	1.50	OS17	\$ 10.60	1	X	X	X				3/4	1/2	1/2	1/2	.4	
1.92	1.75	OS19	\$ 10.80	1	X	X	X	X			3/4	1/2	1/2	1/2	.4	
2.17	2.00	OS22	\$ 11.40	1	X	X	X	X			3/4	1/2	1/2	1/2	.4	
2.42	2.25	OS24	\$ 12.00	1	X	X	X	X			3/4	1/2	1/2	1/2	.5	
2.67	2.50	OS27	\$ 13.20	1		X	X	X	X		7/8	1/2	1/2	1/2	.7	
3.17	3.00	OS32	\$ 16.00	2		X	X	X	X	X	1	5/8	1-1/16	1-1/16	1-53/64	1.1
3.67	3.50	OS37	\$ 21.60	2		X	X	X	X	X	1	5/8	1-1/16	1-1/16	1-53/64	1.3
4.17	4.00	OS42	\$ 25.60	3		X	X	X	X	X	1	5/8	1-1/16	1-1/16	1-5/8	1.6
4.67	4.50	OS47	\$ 27.20	3	X	X	X	X	X	X	1	5/8	1-1/16	1-1/16	1-5/8	1.7
5.17	5.00	OS52	\$ 29.20	3		X	X	X	X	X	1	5/8	1-1/16	1-1/16	1-5/8	1.9
6.17	6.00	OS62	\$ 34.20	3		X	X	X	■	X	1	5/8	1-3/16	1-1/8	1-7/8	2.2
7.17	7.00	OS72	\$ 40.40	3		X	X	X	■	X	1	5/8	1-3/16	1-1/8	1-7/8	2.4
8.17	8.00	OS82	\$ 49.28	3		X	X	X	■	X	1	5/8	1-3/16	1-1/8	1-7/8	2.7
9.17	9.00	OS92	\$ 52.24	3		X	X	X	■	X	1	5/8	1-3/16	1-1/8	1-7/8	3.1
10.17	10.00	OS102	\$ 58.56	3			X	X	■	X	1	5/8	1-3/16	1-1/8	1-7/8	3.6

- ▲ For Standard Keyway Dimension Refer to Table Below Setscrews-Hollow Head, Cup Point
- Non-Stock Bores are Special and Noncancellable (Additional Charges Apply)
- ▼ Held to Commercially Acceptable Tolerances

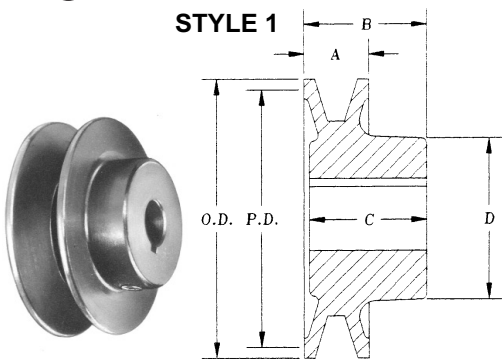
STANDARD KEYWAYS FOR LIGHT DUTY SHEAVES

BORE (INCHES)	KEYSEAT
3/8, 7/16, 1/2, 9/16	NONE
5/8, 11/16, 3/4, 13/16, 7/8	3/16 x 3/32
15/16, 1, 1-1/16, 1-1/8, 1-3/16, 1-1/4	1/4 x 1/8
1-15/16, 1-3/8	5/16 x 5/32
1-7/16, 1-1/2	3/8 x 3/16

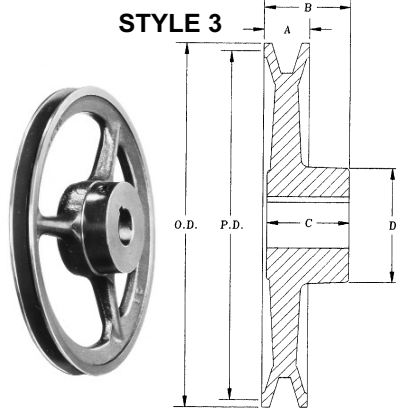
BORE (mm)	KEYSTOCK
14, 15, 16	5 x 5
18, 19, 20, 22	6 x 6
24, 25, 28, 30	8 x 7
32, 35, 38	10 x 8



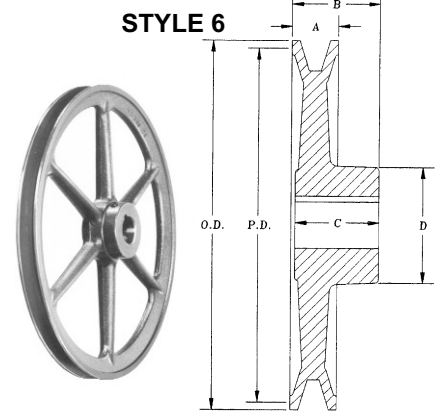
hi-q cast iron sheaves-single groove
for both "O" (3L) and "A" (4L) v-belts



STYLE 1
Solid Steel Bar 2150-2175
Solid Cast Iron 2200-AC38



STYLE 3
Spoke Cast Iron AC40-AC93



STYLE 6
Spoke Cast Iron AC100-AC183

DIAMETER			PART NUMBER	LIST PRICE	STYLE	STOCK BORES MARKED "X" ^											MAX BORE INCHES	DIMENSION - INCHES				APPROX WT. LBS.
P.D./O.D. INCHES	"A" BELT INCHES	"O" BELT INCHES				1/2 In	5/8 In	3/4 In	7/8 In	1 In	1-1/8 In	1-3/16 In	1-1/4 In	1-3/8 In	1-7/16 In	A		B	C	D		
1.50	1.3		2150	\$ 9.00	1	X	X+										5/8	5/8	1-1/16	1-1/16	1-1/4	.2
1.75	1.5		2175	\$ 10.60	1	X	X	X									3/4	5/8	1-1/16	1-1/16	1-1/2	.4
2.00	1.7		2200	\$ 10.80	1	X	X	X	X								7/8	3/4	1-1/4	1-1/8	1-5/8	.6
2.10	1.8	1.5	2210	\$ 11.40	1	X	X	X	X								7/8	3/4	1-1/4	1-1/8	1-5/8	.6
2.25	2.0	1.7	2225	\$ 11.70	1	X	X	X	X	X							1	3/4	1-1/4	1-1/8	1-5/8	.7
2.40	2.1	1.8	2240	\$ 12.00	1	X	X	X	X	X							1	3/4	1-5/16	1-1/8	1-5/8	.8
2.50	2.2	1.9	2250	\$ 12.60	1	X	X	X	X	X							1	3/4	1-5/16	1-1/8	1-5/8	.9
2.60	2.3	2.0	2260	\$ 12.70	1	X	X	X	X	X							1	3/4	1-5/16	1-1/8	1-5/8	.9
2.75	2.5	2.2	2275	\$ 13.20	1	X	X	X	X	X							1	3/4	1-5/16	1-1/8	1-5/8	1.0
3.00	2.7	2.4	2300	\$ 15.60	1	X	X	X	X	X							1	3/4	1-5/16	1-1/8	1-7/8	1.1
3.05	2.8	2.5	AC31	\$ 15.60	1	X	X	X	X	X	X						1-1/8	3/4	1-5/16	1-1/8	1-7/8	1.2
3.25	3.0	2.7	AC33	\$ 16.00	1	X	X	X	X	X	X						1-1/8	3/4	1-7/16	1-1/4	1-7/8	1.3
3.45	3.2	2.9	AC35	\$ 17.40	1	X	X	X	X	X	X						1-1/8	3/4	1-7/16	1-1/4	1-7/8	1.5
3.75	3.5	3.2	AC38	\$ 21.60	1	X	X	X	X	X	X						1-1/8	3/4	1-7/16	1-1/4	1-7/8	1.6
4.00	3.7	3.4	AC40	\$ 25.00	3	X	X	X	X	X	X						1-1/8	3/4	1-7/16	1-1/8	1-53/64	1.4
4.25	4.0	3.7	AC43	\$ 25.60	3	X	X	X	X	X	X						1-1/8	3/4	1-3/8	1-3/8	1-3/4	1.7
4.45	4.2	3.9	AC45	\$ 26.80	3	X	X	X	X	X	X						1-1/8	3/4	1-3/8	1-3/8	1-3/4	1.8
4.75	4.5	4.2	AC48	\$ 27.20	3	X	X	X	X	X	X						1-1/8	3/4	1-3/8	1-3/8	1-3/4	1.9
5.00	4.7	4.4	AC50	\$ 28.60	3	X	X	X	X	X	X	■					1-1/4	3/4	1-3/8	1-1/8	1-7/8	1.6
5.25	5.0	4.7	AC53	\$ 29.20	3	X	X	X	X	X	X	X					1-1/4	3/4	1-3/8	1-3/8	1-7/8	2.1
5.45	5.2	4.9	AC55	\$ 31.20	3	X	X	X	X	X	X	X	■				1-1/4	3/4	1-3/8	1-3/8	1-7/8	2.4
5.75	5.5	5.2	AC58	\$ 33.38	3	X	X	X	X	X	X	X	■				1-1/4	3/4	1-3/8	1-1/8	1-7/8	2.3
6.00	5.7	5.4	AC60	\$ 33.40	3	X	X	X	X	X	X	X	■				1-1/4	3/4	1-3/8	1-1/8	1-7/8	1.9
6.25	6.0	5.7	AC63	\$ 34.20	3	X	X	X	X	X	X	X	■				1-1/4	3/4	1-3/8	1-3/8	1-7/8	2.1
6.45	6.2	5.9	AC65	\$ 35.60	3	X	X	X	X	X	X	X	■				1-1/4	3/4	1-3/8	1-3/8	1-7/8	2.7
6.75	6.5	6.2	AC68	\$ 38.55	3			X		X	X						1-1/4	3/4	1-3/8	1-3/8	1-7/8	3.2
6.95	6.7	6.4	AC70	\$ 40.40	3	X	X	X	X	X	X	X	■				1-1/2	3/4	1-5/8	1-5/8	2-1/2	3.5
7.25	7.0	6.7	AC73	\$ 42.20	3	X	X	X	X	X	X	X	■				1-1/2	3/4	1-5/8	1-5/8	2-1/2	3.7
7.75	7.5	7.2	AC78	\$ 46.08	3			X	X	X	X						1-1/2	3/4	1-5/8	1-5/8	2-1/2	3.8
7.95	7.7	7.4	AC80	\$ 48.00	3	X	X	X	X	X	X	X	■				1-1/2	3/4	1-5/8	1-5/8	2-1/2	3.9
8.25	8.0	7.7	AC83	\$ 49.28	3	X	X	X	X	X	X	X	■				1-1/2	3/4	1-5/8	1-5/8	2-1/2	4.1
8.95	8.7	8.4	AC90	\$ 55.20	3	X	X	X	X	X	X	X	■				1-1/2	3/4	1-5/8	1-5/8	2-1/2	4.4
9.25	9.0	8.7	AC93	\$ 52.24	3		X	X	X	X	X	X	■				1-1/2	3/4	1-5/8	1-5/8	2-1/2	4.7
9.95	9.7	9.4	AC100	\$ 58.40	6		X	X	X	X	X	X	■				1-1/2	3/4	1-5/8	1-5/8	2-1/2	5.6
10.25	10.0	9.7	AC103	\$ 58.56	6		X	X	X	X	X	X	■				1-1/2	3/4	1-5/8	1-5/8	2-1/2	5.7
10.95	10.7	10.4	AC110	\$ 63.20	6			X	■	X	X	■					1-1/2	3/4	1-5/8	1-5/8	2-1/2	5.9
11.25	11.0	10.7	AC113	\$ 65.68	6		X	X	X	X	X	■					1-1/2	3/4	1-5/8	1-5/8	2-1/2	6.1
11.95	11.7	11.4	AC120	\$ 71.20	6		X	X	X	X	X	X	■				1-1/2	3/4	1-5/8	1-5/8	2-1/2	6.4
12.25	12.0	11.7	AC123	\$ 73.56	6			X	X	X	X	■					1-1/2	7/8	1-5/8	1-5/8	2-1/2	6.8
12.95	12.7	12.4	AC130	\$ 82.00	6			X	X	X	X	X	■				1-1/2	7/8	1-5/8	1-5/8	2-1/2	7.3
13.25	13.0	12.7	AC133	\$ 88.28	6		X	X	■	X	X	X	■				1-1/2	7/8	1-5/8	1-5/8	2-1/2	8.0
13.95	13.7	13.4	AC140	\$ 94.80	6		X	X	■	X	X	X	■				1-1/2	7/8	1-5/8	1-5/8	2-1/2	9.7
14.25	14.0	13.7	AC143	\$ 98.20	6		X	X	■	X	X	X	■				1-1/2	7/8	1-5/8	1-5/8	2-1/2	10.0
14.95	14.7	14.4	AC150	\$100.80	6			X	■	X	X	X	■				1-1/2	7/8	1-3/4	1-3/4	2-1/2	10.4
15.25	15.0	14.7	AC153	\$110.80	6			X	■	X	■	X	■				1-1/2	7/8	1-3/4	1-3/4	2-1/2	11.0
18.25	18.0	17.7	AC183	\$140.00	6			X	■	X	X	X	■				1-1/2	7/8	1-3/4	1-3/4	2-1/2	13.0

^ For Standard Keyway Dimension Refer to Page A-2

+ No Keyway

■ Non-Stock Bores are Special and Noncancellable, Additional Charges Apply.

For Prompt Service on Non-stock and Bores Smaller than Standard, Refer to

HQ Bushed Line, Page A-7.

▼ Held to Commercially Acceptable Tolerances

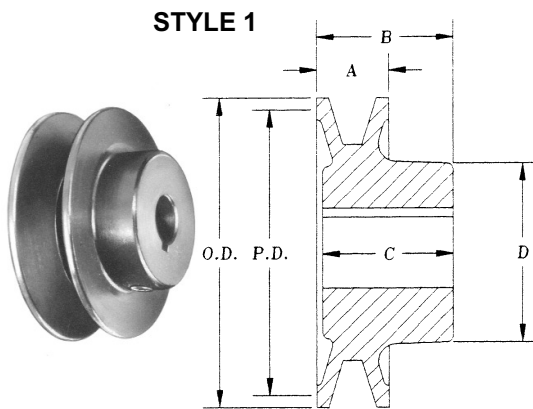
Setscrews-Hollow Head, Cup Point

AC100 - AC183 Two Setscrews

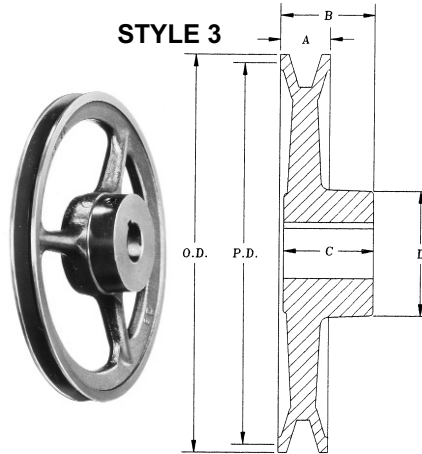


hi-q cast iron sheaves-single groove

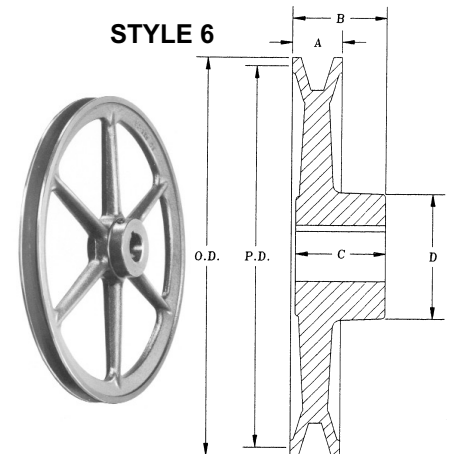
for both "A" (4L) and "B" (5L) v-belts



Solid Cast Iron 4200-BC46



Spoke Cast Iron BC48-BC90



Spoke Cast Iron BC98-BC188

DIAMETER			PART NUMBER	LIST PRICE	STYLE	STOCK BORES MARKED "X" ▲											MAX BORE INCHES	DIMENSION ▼ - INCHES				APPROX WT. LBS.
P.D./ O.D. INCHES	D.D "B" BELT INCHES	D.D "A" BELT INCHES				1/2 In	5/8 In	3/4 In	7/8 In	1 In	1-1/8 In	1-3/16 In	1-1/4 In	1-3/8 In	1-7/16 In	A		B	C	D		
2.00	1.7		4200	\$ 13.60	1	X	X	X									7/8	1-3/8	1-9/32	1-5/8	.5	
2.25	2.0		4225	\$ 14.40	1	X	X	X	X	X							1	7/8	1-3/8	1-9/32	1-5/8	.7
2.50	2.1	1.7	4250	\$ 15.60	1	X	X	X	X	X							1	7/8	1-1/2	1-3/8	1-5/8	.9
2.60	2.2	1.8	4260	\$ 16.40	1	X	X	X	X	X							1	7/8	1-1/2	1-3/8	1-5/8	.9
2.95	2.6	2.2	BC30/4300	\$ 17.20	1	X	X	X	X	X	X						1-1/8	7/8	1-1/2	1-3/8	1-7/8	1.3
3.15	2.8	2.4	BC32	\$ 17.60	1	X	X	X	X	X	X						1-1/8	7/8	1-1/2	1-3/8	1-7/8	1.5
3.35	3.0	2.6	BC34	\$ 19.20	1	X	X	X	X	X	X						1-1/8	7/8	1-1/2	1-3/8	1-7/8	1.6
3.55	3.2	2.8	BC36	\$ 23.60	1	X	X	X	X	X	X						1-1/8	7/8	1-1/2	1-3/8	1-7/8	1.7
3.75	3.4	3.0	BC38	\$ 25.80	1	X	X	X	X	X	X						1-1/8	7/8	1-1/2	1-3/8	1-7/8	2.0
3.95	3.6	3.2	BC40	\$ 26.80	1	X	X	X	X	X	X	X					1-1/8	7/8	1-1/2	1-3/8	1-7/8	2.1
4.15	3.8	3.4	BC42	\$ 27.20	1	X	X	X	X	X	X	X					1-1/8	7/8	1-1/2	1-5/16	1-7/8	2.1
4.35	4.0	3.6	BC44	\$ 29.40	1	X	X	X	X	X	X	X					1-1/8	7/8	1-1/2	1-5/16	1-7/8	2.3
4.55	4.2	3.8	BC46	\$ 29.60	1	X	X	X	X	X	X	X					1-1/8	7/8	1-1/2	1-5/16	1-7/8	2.6
4.75	4.4	4.0	BC48	\$ 30.00	3	X	X	X	X	X	X	X					1-1/8	7/8	1-1/2	1-1/2	1-7/8	2.1
4.95	4.6	4.2	BC50	\$ 30.20	3	X	X	X	X	X	X	X	X				1-1/4	7/8	1-1/2	1-1/2	1-7/8	2.5
5.15	4.8	4.4	BC52	\$ 31.80	3	X	X	X	X	X	X	■	■				1-1/4	7/8	1-5/8	1-5/8	2	2.6
5.35	5.0	4.6	BC54	\$ 33.00	3	X	X	X	X	X	X	■	■				1-1/4	7/8	1-5/8	1-3/8	1-15/16	2.7
5.55	5.2	4.8	BC56	\$ 34.00	3	X	X	X	X	X	X	■	■				1-1/4	7/8	1-5/8	1-3/8	1-15/16	3.0
5.75	5.4	5.0	BC58	\$ 34.20	3	X	X	X	X	X	X	■	■				1-1/4	7/8	1-5/8	1-1/8	2	3.1
5.95	5.6	5.2	BC60	\$ 34.40	3	X	X	X	X	X	X	■	■				1-1/4	7/8	1-5/8	1-3/8	2	3.2
6.15	5.8	5.4	BC62	\$ 38.40	3	X	X	X	X	X	X	■	■				1-1/4	7/8	1-5/8	1-5/8	2-1/2	4.2
6.35	6.0	5.6	BC64	\$ 39.80	3	X	X	X	X	X	X	■	■				1-1/4	7/8	1-5/8	1-5/8	2	4.7
6.55	6.2	5.8	BC66	\$ 44.00	3	X	X	X	X	X	X	■	■				1-1/4	7/8	1-5/8	1-5/8	2	3.2
6.75	6.4	6.0	BC68	\$ 44.60	3	X	X	X	X	X	X	■	■				1-1/2	7/8	1-5/8	1-5/8	2-1/2	4.4
6.95	6.6	6.2	BC70	\$ 47.40	3	X	X	X	X	X	X	■	■	■			1-1/2	7/8	1-5/8	1-5/8	2-1/2	4.5
7.15	6.8	6.4	BC72	\$ 48.00	3		X	X	X	X	X	■	■	■			1-1/2	7/8	1-5/8	1-5/8	2-1/2	4.1
7.25	6.9	6.5	BC73	\$ 48.50	3	X	X	X	X	X	X	■	■	■			1-1/2	7/8	1-5/8	1-5/8	2-1/2	4.2
7.75	7.4	7.0	BC78	\$ 49.60	3	X	X	X	X	X	X	■	■	X			1-1/2	7/8	1-5/8	1-5/8	2-1/2	4.7
8.25	7.9	7.5	BC83	\$ 55.60	3	X	X	X	X	X	X	■	■	X			1-1/2	7/8	1-5/8	1-5/8	2-1/2	4.8
8.75	8.4	8.0	BC88	\$ 58.80	3				X	X	X	■	■	■			1-1/2	7/8	1-5/8	1-5/8	2-1/2	4.8
9.25	8.9	8.5	BC93	\$ 60.73					X	X	X	X	■	■			1-1/2	7/8	1-5/8	1-5/8	2-1/2	5.0
8.95	8.6	8.2	BC90	\$ 59.20	3		X	X	X	X	X	■	■	X			1-1/2	7/8	1-5/8	1-5/8	2-1/2	4.9
9.75	9.4	9.0	BC98	\$ 63.20	6		X	X	X	X	X	■	■	X			1-1/2	7/8	1-5/8	1-5/8	2-1/2	5.2
11.35	11.0	10.6	BC114	\$ 75.60	6		X	X	■	X	X	■	■	X			1-1/2	7/8	1-5/8	1-5/8	2-1/2	7.4
11.75	11.4	11.0	BC118	\$ 77.80	6			X	■	X	X	■	■	X			1-1/2	7/8	1-5/8	1-5/8	2-1/2	7.5
12.75	12.4	12.0	BC128	\$ 87.20	6			X	X	X	X	■	■	■			1-1/2	7/8	1-5/8	1-5/8	2-1/2	7.6
13.95	13.6	13.2	BC140	\$ 105.20	6			X	X	X	X	■	■	X			1-1/2	7/8	1-3/4	1-3/4	2-1/2	8.0
15.75	15.4	15.0	BC158	\$ 135.60	6			X	X	X	X	■	■	X			1-1/2	1	1-3/4	1-3/4	2-1/2	11.7
18.75	18.4	18.0	BC188	\$ 156.40	6			X	X	X	X	■	■	■			1-1/2	1	1-3/4	1-3/4	2-1/2	15.5

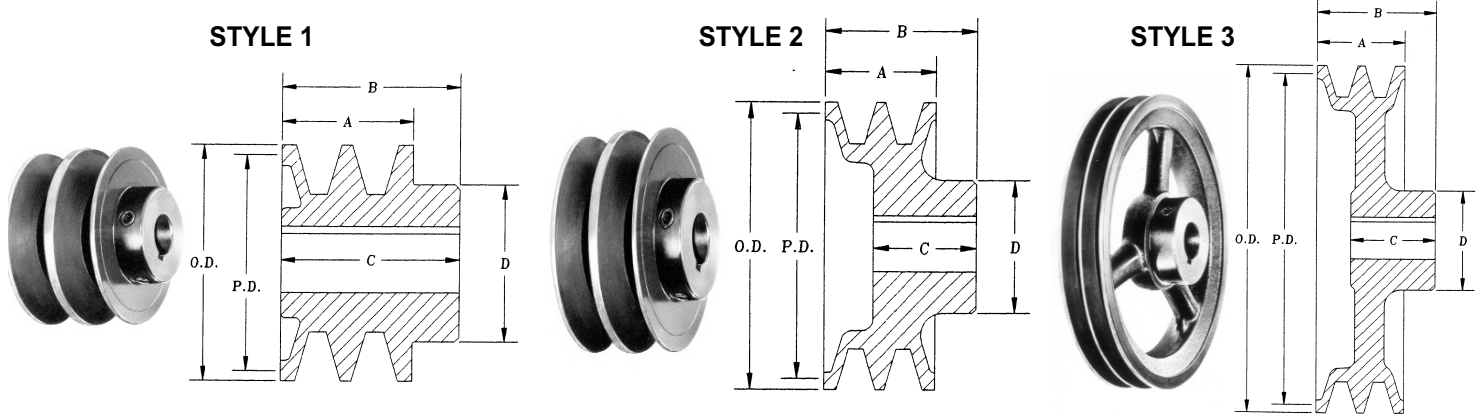
▲ For Standard Keyway Dimension Refer to Page A-2

▼ Held to Commercially Acceptable Tolerances

■ Non-Stock Bores are Special and Noncancellable (Additional Charges Apply). For Prompt Service on Non-stock and Bores Smaller than Standard, Refer to HQ Bushed Line, Page A-7.

Setscrews-Hollow Head, Cup Point
4200 - BC 98 One Setscrew
BC114 - BC188 Two Setscrews

maurey hi-q cast iron sheaves-two groove
for both "O" (3L) and "A" (4L) v-belts



Solid Bar Steel D2200-D2275
Solid Cast Iron D2300-D2350

Solid Cast Iron D2380-D2550

Spoke Cast Iron D2600-D3183
Style 3 or Style 6

DIAMETER			PART NUMBER	LIST PRICE	STYLE	STOCK BORES MARKED "X" ▲										MAX BORE INCHES	DIMENSION ▼ - INCHES				APPROX WT. LBS.
P.D./ O.D. INCHES	D.D "A" BELT INCHES	D.D "O" BELT INCHES				1/2 In	5/8 In	3/4 In	7/8 In	1 In	1-1/8 In	1-3/16 In	1-1/4 In	1-3/8 In	1-7/16 In		A	B	C	D	
2.00	1.7		D2200	\$ 26.80	1	X	X	X	X						7/8	1-1/4	1-11/16	1-11/16	1-5/8	.7	
2.25	2.0	1.7	D2225	\$ 27.20	1	X	X	X	X						1	1-1/4	1-11/16	1-11/16	1-7/8	1.0	
2.45	2.2	1.9	D2250	\$ 30.00	1	X	X	X	X	X					1-1/8	1-1/4	1-11/16	1-11/16	2-1/8	1.4	
2.75	2.5	2.2	D2275	\$ 34.00	1	X	X	X	X	X					1-1/4	1-1/4	1-11/16	1-11/16	2-1/4	1.6	
2.95	2.7	2.4	D2300	\$ 40.00	1	X	X	X	X	X					1-1/2	1-3/8	2	1-7/8	2.45	2.4	
3.25	3.0	2.7	D2325	\$ 45.20	1	X	X	X	X	X					1-1/2	1-3/8	2	1-7/8	2.45	2.8	
3.45	3.2	2.9	D2350	\$ 46.40	1	X	X	X	X	X					1-1/2	1-3/8	2	1-7/8	2.45	3.0	
3.75	3.5	3.2	D2380	\$ 47.20	2	X	X	X	X	X	■	■			1-1/2	1-3/8	2	1-5/8	2.45	3.3	
3.95	3.7	3.4	D2400	\$ 52.60	2	X	X	X	X	X	■	■	■	■	1-1/2	1-3/8	2	1-5/8	2.45	3.6	
4.25	4.0	3.7	D2425	\$ 54.20	2		X	X	X	X	■	■	■	■	1-1/2	1-3/8	2	1-5/8	2.45	3.8	
4.45	4.2	3.9	D2450	\$ 56.40	2		X	X	X	X	■	■	■	■	1-1/2	1-3/8	2	1-5/8	2.45	3.9	
4.75	4.5	4.2	D2480	\$ 58.00	2		X	X	X	X	■	■	■	■	1-1/2	1-3/8	2	1-5/8	2.45	4.8	
4.95	4.7	4.4	D2500	\$ 59.20	2		X	X	X	X	■	■	■	■	1-1/2	1-3/8	2	1-5/8	2.45	5.1	
5.25	5.0	4.7	D2525	\$ 59.80	2		X	X	X	X	■	■	■	■	1-1/2	1-3/8	2	1-5/8	2.45	5.2	
5.45	5.2	4.9	D2550	\$ 60.80	2		X	X	X	X	■	■	■	■	1-1/2	1-3/8	2	1-5/8	2.45	6.5	
5.75	5.5	5.2	D2580	\$ 66.47	3			X	X	X	X	■	■	■	1-1/2	1-3/8	2	1-5/8	2-1/2	4.5	
5.95	5.7	5.4	D2600	\$ 67.80	3		X	X	X	X	■	■	■	■	1-1/2	1-3/8	2	1-5/8	2-1/2	4.9	
6.45	6.2	5.9	D2650	\$ 72.00	3			X	X	X	X	■	■	■	1-1/2	1-3/8	2	1-5/8	2-1/2	5.4	
6.95	6.7	6.4	D2700	\$ 80.00	3		X	X	X	X	■	■	■	■	1-1/2	1-3/8	2	1-5/8	2-1/2	6.1	
7.25	7.0	6.7	D2725	\$ 80.80	3		X	X	X	X	■	■	■	■	1-1/2	1-3/8	2	1-5/8	2-1/2	6.4	
7.95	7.7	7.4	D2800	\$ 87.60	3			X	X	X	X	■	■	■	1-1/2	1-3/8	2	1-5/8	2-1/2	6.7	
8.95	8.7	8.4	D2900	\$ 95.60	6			X	X	X	X	■	■	■	1-1/2	1-3/8	2	1-5/8	2-1/2	9.0	
9.25	9.0	8.7	D2925	\$ 95.94	6			X	X	X	X	■	■	■	1-1/2	1-3/8	2	1-5/8	2-1/2	9.3	
9.95	9.7	9.4	D3100	\$102.40	6			X	X	X	X	X	X	X	1-1/2	1-3/8	2	1-5/8	2-1/2	9.9	
10.25	10.0	9.7	D3103	\$103.20	6			X	X	X	X	X	X	X	1-1/2	1-3/8	2	1-5/8	2-1/2	10.0	
10.95	10.7	10.4	D3110	\$111.20	6			X	X	X	■	X	■	■	X	1-1/2	1-3/8	2	1-5/8	2-1/2	11.4
11.95	11.7	11.4	D3120	\$122.00	6			X	X	X	X	X	■	■	X	1-1/2	1-3/8	2	1-5/8	2-1/2	11.6
12.25	12.0	11.7	D3123	\$122.60	6			X	X	X	X	X	■	■	X	1-1/2	1-3/8	2	1-5/8	2-1/2	12.4
14.25	14.0	13.7	D3143	\$152.60	6				X	X	■	X	X	X	1-1/2	1-3/8	2	1-5/8	2-1/2	15.6	
15.25	15.0	14.7	D3153	\$176.20	6				X	X	■	X	X	X	1-1/2	1-3/8	2	1-7/8	2-1/2	16.0	
18.25	18.0	17.7	D3183	\$222.00	6				X	X	■	X	X	X	1-1/2	1-3/8	2	1-7/8	2-1/2	20.5	

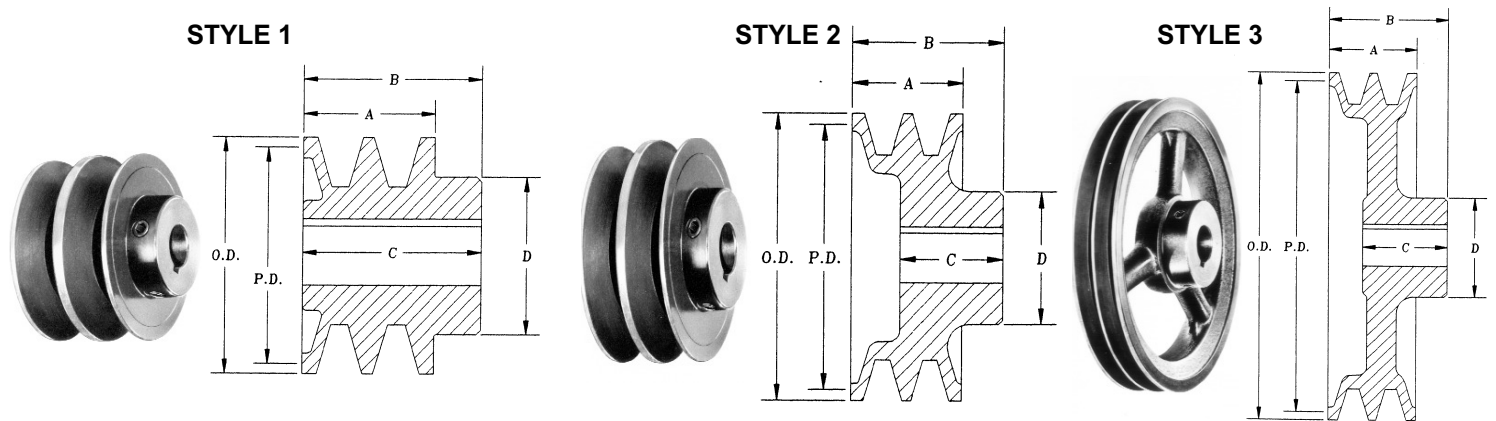
▲ For Standard Keyway Dimension Refer to Page A-2

■ Non-Stock Bores are Special and Noncancellable, Additional Charges Apply. For Prompt Service on Non-stock and Bores Smaller Than Standard, Refer to HQ Bushed Line, Page A-8.

▼ Held to Commercially Acceptable Tolerances

Two Setscrews-Hollow Head, Cup Point.
D2200 to D2275 One Setscrew Only.

maurey hi-q cast iron sheaves-two groove
for both "A" (4L) and "B" (5L) v-belts



Solid Bar Steel D4250-D4280
Solid Cast Iron D4300-D4380

Solid Cast Iron D4400-D4540

Spoke Cast Iron D4560-D5188
Style 3 or Style 6

DIAMETER			PART NUMBER	LIST PRICE	STYLE	STOCK BORES MARKED "X" ▲										MAX BORE INCHES	DIMENSION ▼ - INCHES				APPROX WT. LBS.
P.D./ O.D. INCHES	D.D "B" BELT INCHES	D.D "A" BELT INCHES				1/2 In	5/8 In	3/4 In	7/8 In	1 In	1-1/8 In	1-3/16 In	1-1/4 In	1-3/8 In	1-7/16 In		A	B	C	D	
2.45	2.1		D4250	\$ 37.20	1	X	X	X	X	X	X					1-1/8	1-9/16	2	2	1-3/4	1.2
2.75	2.4	2.0	D4280	\$ 38.00	1	X	X	X	X	X	X					1-1/8	1-9/16	2	2	2	1.0
2.95	2.6	2.2	D4300	\$ 42.00	1	X	X	X	X	X	X					1-1/8	1-3/4	2-3/8	2-1/4	2.45	2.4
3.15	2.8	2.4	D4320	\$ 44.80	1	X	X	X	X	X	X			X		1-3/8	1-3/4	2-3/8	2-1/4	2.45	2.8
3.35	3.0	2.6	D4340	\$ 46.80	1	X	X	X	X	X	X	X	X	X		1-1/2	1-3/4	2-3/8	2-1/4	2.45	3.3
3.55	3.2	2.8	D4360	\$ 48.80	1	X	X	X	X	X	X			X		1-1/2	1-3/4	2-3/8	2-1/4	2.45	3.6
3.75	3.4	3.0	D4380	\$ 50.20	1	X	X	X	X	X	X			X		1-1/2	1-3/4	2-3/8	2-1/4	2.45	3.9
3.95	3.6	3.2	D4400	\$ 52.60	2		X	X	X	X	X	X	X	X		1-1/2	1-3/4	2-3/8	1-9/16	2.45	3.9
4.15	3.8	3.4	D4420	\$ 56.40	2		X	X	X	X	X			X		1-1/2	1-3/4	2-3/8	1-9/16	2.45	4.1
4.35	4.0	3.6	D4440	\$ 57.00	2		X	X	X	X	X			X		1-1/2	1-3/4	2-3/8	1-9/16	2.45	4.1
4.55	4.2	3.8	D4460	\$ 58.80	2		X	X	X	X	X			X	X	1-1/2	1-3/4	2-3/8	1-9/16	2.45	4.5
4.75	4.4	4.0	D4480	\$ 60.80	2		X	X	X	X	X			X	X	1-1/2	1-3/4	2-3/8	1-9/16	2.45	5.2
4.95	4.6	4.2	D4500	\$ 62.40	2		X	X	X	X	X	X	X	X		1-1/2	1-3/4	2-3/8	1-9/16	2.45	5.5
5.15	4.8	4.4	D4520	\$ 65.60	2		X	X	X	X	X			X		1-1/2	1-3/4	2-3/8	1-9/16	2.45	5.3
5.35	5.0	4.6	D4540	\$ 67.20	2		X	X	X	X	X			X	X	1-1/2	1-3/4	2-3/8	1-9/16	2.45	6.3
5.55	5.2	4.8	D4560	\$ 69.60	3			X	X	X	X			X		1-5/8	1-3/4	2-3/8	1-5/8	2-1/2	5.2
5.75	5.4	5.0	D4580	\$ 70.60	3			X	X	X	X			X		1-5/8	1-3/4	2-3/8	1-5/8	2-1/2	5.7
5.95	5.6	5.2	D4600	\$ 72.00	3			X	X	X	X	X	X	X		1-5/8	1-3/4	2-3/8	1-5/8	2-1/2	5.7
6.15	5.8	5.4	D4620	\$ 76.20	3			X	X	X	X			X		1-5/8	1-3/4	2-3/8	1-5/8	2-1/2	6.1
6.35	6.0	5.6	D4640	\$ 80.40	3			X	X	X	X			X	X	1-5/8	1-3/4	2-3/8	1-5/8	2-1/2	6.9
6.55	6.2	5.8	D4660	\$ 85.20	3			X	X	X	X			X		1-5/8	1-3/4	2-3/8	1-5/8	2-1/2	6.9
6.75	6.4	6.0	D4680	\$ 89.60	3			X		X	X			X		1-5/8	1-3/4	2-3/8	1-5/8	2-1/2	7.0
6.95	6.6	6.2	D4700	\$ 90.40	3			X	X	X	X			X	X	1-5/8	1-3/4	2-3/8	1-5/8	2-1/2	7.5
7.15	6.8	6.4	D4720	\$ 92.40	3			X	X	X	X			X		1-5/8	1-3/4	2-3/8	1-5/8	2-1/2	7.9
7.75	7.4	7.0	D4780	\$ 95.00	3			X	X	X	X	X	X	X		1-5/8	1-3/4	2-3/8	1-5/8	2-1/2	8.0
8.75	8.4	8.0	D4880	\$ 98.00	6				X	X	X	X		X		1-5/8	1-3/4	2-3/8	1-5/8	2-1/2	9.2
8.95	8.6	8.2	D4900	\$100.00	6				X	X	X	X		X		1-5/8	1-3/4	2-3/8	1-5/8	2-1/2	10.5
9.75	9.4	9.0	D4980	\$115.60	6				X		X	X		X		1-5/8	1-3/4	2-3/8	1-5/8	2-1/2	11.7
10.75	10.4	10.0	D5108	\$122.72	6				X	X	X	X		X		1-5/8	1-3/4	2-3/8	1-5/8	2-1/2	12.9
11.35	11.0	10.6	D5114	\$128.40	6				X	X	X	X		X		1-5/8	1-3/4	2-3/8	1-5/8	2-1/2	13.5
11.75	11.4	11.0	D5118	\$132.68	6				X	X	X	X		X		1-5/8	1-3/4	2-3/8	1-5/8	2-1/2	16.3
12.75	12.4	12.0	D5128	\$149.20	6				X	X	X	X		X		1-5/8	1-3/4	2-3/8	1-5/8	2-1/2	15.5
13.95	13.6	13.2	D5140	\$158.80	6					X	X	X		X		1-5/8	1-3/4	2-3/8	1-3/4	2-1/2	18.4
15.75	15.4	15.0	D5158	\$186.40	6				X	X	X	X		X		1-5/8	1-3/4	2-3/8	1-3/4	2-1/2	23.6
18.75	18.7	18.0	D5188	\$239.20	6				X	X	X	X		X		1-5/8	1-3/4	2-3/8	1-3/4	2-1/2	25.0

▲ For Standard Keyway Dimension Refer to Page A-2

▼ Held to Commercially Acceptable Tolerances

■ Non-Stock Bores are Special and Noncancellable Additional Charges Apply. For Prompt Service on Non-stock and Bores Smaller than Standard, Refer to HQ Bushed Line, Page A-8.

Two Setscrews-Hollow Head, Cup Point. D4250 to D4280 One Setscrew Only.

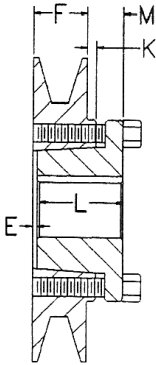


maurey HQ

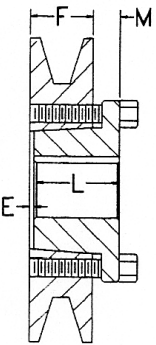
Ful-Grip Sheaves-Single Groove



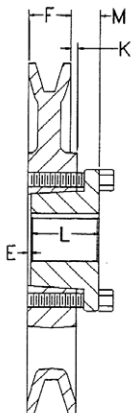
STYLE 1



STYLE 2



STYLE 4



For Both Belt Sections "A" (4L) and "O" (3L)

O.D. Inches	D.D. A Belts Inches	D.D. O Belts Inches	Part Number	Alternate Part Number	List** Price	Style	Weight (Lbs)	Dimensions - Inches				
								E	F	K	L	M
3.05	2.8	2.5	---	AK30H	\$ 25.08	1	1.1	3/8	3/4	7/16	1-1/4	7/8
3.25	3.0	2.7	---	AK32H	\$ 25.47	1	1.2	3/8	3/4	7/16	1-1/4	7/8
3.45	3.2	2.9	---	AK34H	\$ 25.84	2	1.0	1/16	3/4	1/8	1-1/4	9/16
3.75	3.5	3.2	---	AK39H	\$ 27.34	2	1.4	1/16	3/4	1/8	1-1/4	9/16
3.95	3.7	3.4	AH40	AK41H	\$ 27.86	1	1.2	1/16	3/4	1/8	1-1/4	9/16
4.25	4.0	3.7	AH43	AK44H	\$ 30.44	1	2.0	1/16	3/4	1/8	1-1/4	9/16
4.45	4.2	3.9	AH45	AK46H	\$ 33.68	1	2.1	1/16	3/4	1/8	1-1/4	9/16
4.75	4.5	4.2	AH48	AK49H	\$ 34.34	1	2.6	1/16	3/4	1/8	1-1/4	9/16
4.95	4.7	4.4	AH50	AK51H	\$ 34.98	1	2.8	1/16	3/4	1/8	1-1/4	9/16
5.25	5.0	4.7	AH53	AK54H	\$ 35.62	1	3.4	1/16	3/4	1/8	1-1/4	9/16
5.45	5.2	4.9	AH55	AK56H	\$ 29.84	4	2.0	1/16	3/4	1/8	1-1/4	9/16
5.95	5.7	5.4	AH60	AK61H	\$ 31.08	4	2.7	1/16	3/4	1/8	1-1/4	9/16
6.25	6.0	5.7	AH63	AK64H	\$ 31.58	4	2.7	1/16	3/4	1/8	1-1/4	9/16
6.45	6.2	5.9	AH65	AK66H	\$ 32.88	4	2.9	1/16	3/4	1/8	1-1/4	9/16
6.75	6.5	6.2	AH68	AK69H	\$ 37.00	4	2.9	1/16	3/4	1/8	1-1/4	9/16
6.95	6.7	6.6	AH70	AK71H	\$ 37.92	4	2.5	1/16	3/4	1/8	1-1/4	9/16
7.25	7.0	6.7	AH73	AK74H	\$ 39.80	4	2.8	1/16	3/4	1/8	1-1/4	9/16
7.75	7.5	7.2	AH78	AK79H	\$ 43.53	4	3.2	1/16	3/4	1/8	1-1/4	9/16
7.95	7.7	7.4	AH80	---	\$ 44.40	4	2.9	1/16	3/4	1/8	1-1/4	9/16
8.25	8.0	7.7	AH83	AK84H	\$ 46.16	4	3.4	1/16	3/4	1/8	1-1/4	9/16
8.75	8.5	8.2	AH88	AK89H	\$ 46.30	4	3.9	1/16	3/4	1/8	1-1/4	9/16
8.95	8.7	8.4	AH90	---	\$ 51.24	4	2.8	1/16	3/4	1/8	1-1/4	9/16
9.25	9.0	8.7	AH93	AK94H	\$ 53.64	4	3.3	1/16	3/4	1/8	1-1/4	9/16
9.95	9.7	9.4	AH100	---	\$ 57.88	4	4.0	1/16	3/4	1/8	1-1/4	9/16
10.25	10.0	9.7	AH103	AK104H	\$ 58.50	4	4.3	1/16	3/4	1/8	1-1/4	9/16
10.95	10.7	10.4	AH110	---	\$ 61.56	4	3.9	1/16	3/4	1/8	1-1/4	9/16
11.25	11.0	10.7	AH113	AK114H	\$ 62.68	4	5.8	1/16	3/4	1/8	1-1/4	9/16
11.95	11.7	11.4	AH120	---	\$ 66.80	4	5.9	1/16	3/4	1/8	1-1/4	9/16
12.25	12.0	11.7	AH123	AK124H	\$ 68.48	4	6.3	1/16	3/4	1/8	1-1/4	9/16
12.95	12.7	12.4	AH130	---	\$ 75.84	4	7.2	1/16	7/8	0	1-1/4	7/16
13.25	13.0	12.7	AH133	AK134H	\$ 79.04	4	6.7	1/16	7/8	0	1-1/4	7/16
13.95	13.7	13.4	AH140	---	\$ 85.80	4	7.6	1/16	7/8	0	1-1/4	7/16
14.25	14.0	13.7	AH143	AK144H	\$ 88.80	4	8.9	1/16	7/8	0	1-1/4	7/16
14.95	14.7	14.4	AH150	---	\$ 94.92	4	9.5	1/16	7/8	0	1-1/4	7/16
15.25	15.0	14.7	AH153	AK154H	\$ 97.52	4	10.1	1/16	7/8	0	1-1/4	7/16
18.25	18.0	17.7	AH183	AK184H	\$ 115.28	4	12.2	1/16	7/8	0	1-1/4	7/16

For Both Belt Sections "B" (5L) and "A" (4L)

O.D. Inches	D.D. B Belts Inches	D.D. A Belts Inches	Part Number	Alternate Part Number	List** Price	Style	Weight (Lbs)	Dimensions - Inches				
								E	F	K	L	M
3.15	2.8	2.4	BH32	BK30H	\$ 28.53	1	0.6	15/16	7/8	7/8	1-1/4	1-5/16
3.35	3.0	2.6	BH34	BK32H	\$ 30.34	1	0.8	15/16	7/8	7/8	1-1/4	1-5/16
3.55	3.2	2.8	BH36	BK34H	\$ 30.39	1	1.0	15/16	7/8	7/16	1-1/4	1-5/16
3.75	3.4	3.0	BH38	BK36H	\$ 30.63	2	1.4	1/16	7/8	0	1-1/4	7/16
3.95	3.6	3.2	BH40	BK40H	\$ 30.78	2	1.7	1/16	7/8	0	1-1/4	7/16
4.15	3.8	3.4	BH42	---	\$ 32.38	2	2.0	1/16	7/8	0	1-1/4	7/16
4.25	3.9	3.5	---	BK45H	\$ 32.38	2	1.8	1/16	7/8	0	1-1/4	7/16
4.35	4.0	3.6	BH44	---	\$ 33.68	2	2.5	1/16	7/8	0	1-1/4	7/16
4.45	4.1	3.7	---	BK47H	\$ 33.68	2	2.2	1/16	7/8	0	1-1/4	7/16
4.55	4.2	3.8	BH46	---	\$ 36.38	2	2.7	1/16	7/8	0	1-1/4	7/16
4.75	4.4	4.0	BH48	BK50H	\$ 38.86	2	2.9	1/16	7/8	0	1-1/4	7/16
4.95	4.6	4.2	BH50	BK52H	\$ 39.20	2	3.1	1/16	7/8	0	1-1/4	7/16
5.15	4.8	4.4	BH52	---	\$ 40.32	2	3.7	1/16	7/8	0	1-1/4	7/16
5.25	4.9	4.5	BH53	BK55H	\$ 41.46	2	3.9	1/16	7/8	0	1-1/4	7/16
5.35	5.0	4.6	BH54	---	\$ 41.78	4	1.9	1/16	7/8	0	1-1/4	7/16
5.55	5.2	4.8	BH56	---	\$ 42.60	4	2.4	1/16	7/8	0	1-1/4	7/16
5.75	5.4	5.0	BH58	BK60H	\$ 35.08	4	2.6	1/16	7/8	0	1-1/4	7/16
5.95	5.6	5.2	BH60	---	\$ 36.96	4	2.8	1/16	7/8	0	1-1/4	7/16
6.15	5.8	5.4	BH62	---	\$ 38.56	4	2.8	1/16	7/8	0	1-1/4	7/16
6.25	5.9	5.5	---	BK65H	\$ 38.56	2	2.8	1/16	7/8	0	1-1/4	7/16
6.35	6.0	5.6	BH64	---	\$ 40.00	4	2.8	1/16	7/8	0	1-1/4	7/16
6.55	6.2	5.8	BH66	---	\$ 41.08	4	3.2	1/16	7/8	0	1-1/4	7/16
6.75	6.4	6.0	BH68	BK70H	\$ 42.00	4	3.2	1/16	7/8	0	1-1/4	7/16
6.95	6.6	6.2	BH70	BK72H	\$ 43.92	4	3.9	1/16	7/8	0	1-1/4	7/16
7.15	6.8	6.4	BH72	---	\$ 45.16	4	3.9	1/16	7/8	0	1-1/4	7/16
7.25	6.9	6.5	---	BK75H	\$ 45.16	4	3.3	1/8	7/8	0	1-1/4	1/2
7.75	7.4	7.0	BH78	BK80H	\$ 47.16	4	3.2	1/16	7/8	0	1-1/4	7/16
8.25	7.9	7.5	BH83	BK85H	\$ 52.32	4	3.4	1/16	7/8	0	1-1/4	7/16
8.75	8.4	8.0	BH88	BK90H	\$ 56.97	4	4.4	1/16	7/8	0	1-1/4	7/16
8.95	8.6	8.2	BH90	---	\$ 57.36	4	3.9	1/16	7/8	0	1-1/4	7/16
9.25	8.9	8.5	---	BK95H	\$ 60.11	4	5.0	1/8	7/8	0	1-1/4	1/2
9.75	9.4	9.0	BH98	BK100H	\$ 62.16	4	4.7	1/16	7/8	0	1-1/4	7/16
10.75	10.4	10.0	BH108	BK110H	\$ 68.36	4	6.3	1/16	7/8	0	1-1/4	7/16
11.35	11.0	10.6	BH114	---	\$ 71.52	4	5.1	1/16	7/8	0	1-1/4	7/16
11.75	11.4	11.0	BH118	BK120H	\$ 75.60	4	6.8	1/16	7/8	0	1-1/4	7/16
12.75	12.4	12.0	BH128	BK130H	\$ 82.76	4	6.9	1/16	7/8	0	1-1/4	7/16
13.95	13.6	13.2	BH140	---	\$ 95.44	4	6.1	1/16	7/8	0	1-1/4	7/16
15.75	15.4	15.0	BH158	BK160H	\$ 109.64	4	11.7	3/16	1.0	0	1-1/4	7/16
18.75	18.4	18.0	BH188	BK190H	\$ 149.96	4	13.8	3/16	1.0	0	1-1/4	7/16

** List Prices Shown are For Sheave Only. Refer to Page A-9 for Bushing List Price.



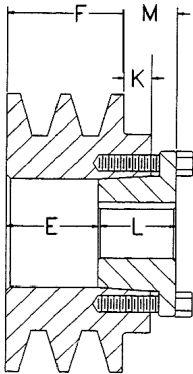
Ful-Grip Sheaves-Two Groove



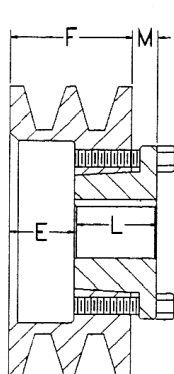
For Both Belt Sections "A" (4L) and "O" (3L)

O.D. Inches	D.D. A Belts Inches	D.D. O Belts Inches	Part Number	Alternate Part Number	List Price	Style	Weight (Lbs)	Dimensions - Inches				
								E	F	K	L	M
3.05	2.8	2.5	DH2300	2AK30H	\$ 42.00	1	1.9	1	1-3/8	7/16	1-1/4	7/8
3.25	3.0	2.7	DH2325	2AK32H	\$ 49.16	1	2.3	1	1-3/8	7/16	1-1/4	7/8
3.45	3.2	2.9	DH2350	2AK34H	\$ 49.48	2	1.8	9/16	1-3/8	0	1-1/4	7/16
3.75	3.5	3.2	DH2380	2AK39H	\$ 50.52	2	2.3	9/16	1-3/8	0	1-1/4	7/16
3.95	3.7	3.4	DH2400	2AK41H	\$ 55.88	3	2.0	1/16	1-3/8	1/2	1-1/4	1/16
4.25	4.0	3.7	DH2425	2AK44H	\$ 57.88	3	2.9	1/16	1-3/8	1/2	1-1/4	1/16
4.45	4.2	3.9	DH2450	2AK46H	\$ 60.60	3	3.2	1/16	1-3/8	1/2	1-1/4	1/16
4.75	4.5	4.2	DH2480	2AK49H	\$ 61.76	3	3.5	1/16	1-3/8	1/2	1-1/4	1/16
4.95	4.7	4.4	DH2500	2AK51H	\$ 63.44	3	3.1	1/16	1-3/8	1/2	1-1/4	1/16
5.25	5.0	4.7	DH2525	2AK54H	\$ 66.16	3	4.6	1/16	1-3/8	1/2	1-1/4	1/16
5.45	5.2	4.9	DH2550	2AK56H	\$ 67.12	3	4.0	1/16	1-3/8	1/2	1-1/4	1/16
5.75	5.5	5.2	DH2580	2AK59H	\$ 67.80	3	4.9	1/16	1-3/8	1/2	1-1/4	1/16
5.95	5.7	5.4	DH2600	2AK61H	\$ 69.32	4	3.7	1/16	1-3/8	1/2	1-1/4	1/16
6.25	6.0	5.7	---	2AK64H	\$ 74.76	4	3.9	1/16	1-3/8	1/2	1-1/4	1/16
6.45	6.2	5.9	DH2650	---	\$ 74.76	4	4.9	1/16	1-3/8	1/2	1-1/4	1/16
6.95	6.7	6.4	DH2700	---	\$ 79.08	4	5.4	1/16	1-3/8	1/2	1-1/4	1/16
7.25	7.0	6.7	DH2730	2AK74H	\$ 81.68	4	4.4	1/16	1-3/8	1/2	1-1/4	1/16
7.95	7.7	7.4	DH2800	---	\$ 87.88	4	5.9	1/16	1-3/8	1/2	1-1/4	1/16
8.95	8.7	8.4	DH2900	---	\$ 95.44	4	7.2	1/16	1-3/8	1/2	1-1/4	1/16
9.25	9.0	8.7	DH2930	2AK94H	\$ 97.60	4	7.2	1/16	1-3/8	1/2	1-1/4	1/16
9.95	9.7	9.4	DH3100	---	\$100.72	4	8.6	1/16	1-3/8	1/2	1-1/4	1/16
10.25	10.0	9.7	DH3103	2AK104H	\$102.08	4	9.7	1/16	1-3/8	1/2	1-1/4	1/16
10.95	10.7	10.4	DH3110	---	\$110.04	4	10.2	1/16	1-3/8	1/2	1-1/4	1/16
11.95	11.7	11.4	DH3120	---	\$117.80	4	10.7	1/16	1-3/8	1/2	1-1/4	1/16
12.25	12.0	11.7	DH3123	2AK124H	\$118.42	4	10.9	1/16	1-3/8	1/2	1-1/4	1/16
14.25	14.0	13.7	DH3143	2AK144H	\$134.08	4	14.4	1/16	1-3/8	1/2	1-1/4	1/16
15.25	15.0	14.7	DH3153	2AK154H	\$150.24	4	13.6	1/16	1-3/8	1/2	1-1/4	1/16
18.25	18.0	17.7	DH3183	2AK184H	\$197.92	4	20.1	1/4	1-3/8	5/16	1-1/4	1/8

STYLE 1



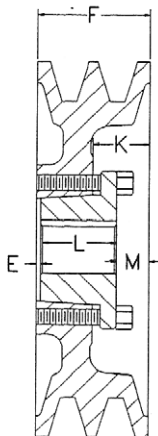
STYLE 2



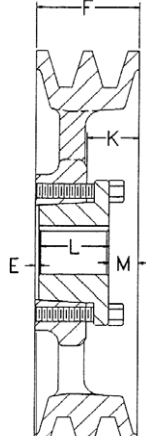
For Both Belt Sections "B" (5L) and "A" (4L)

O.D. Inches	D.D. A Belts Inches	D.D. O Belts Inches	Part Number	Alternate Part Number	List Price	Style	Weight (Lbs)	Dimensions - Inches				
								E	F	K	L	M
3.35	3.0	2.6	DH4340	2BK32H	\$ 51.88	1	2.5	1-3/8	1-3/4	7/16	1-1/4	7/8
3.55	3.2	2.8	DH4360	2BK34H	\$ 52.20	1	2.9	1-3/8	1-3/4	7/16	1-1/4	7/8
3.75	3.4	3.0	DH4380	2BK36H	\$ 53.24	2	2.6	15/16	1-3/4	0	1-1/4	7/16
3.95	3.6	3.2	DH4400	2BK40H	\$ 53.76	2	2.9	15/16	1-3/4	0	1-1/4	7/16
4.15	3.8	3.4	DH4420	---	\$ 54.72	2	3.5	15/16	1-3/4	0	1-1/4	7/16
4.35	4.0	3.6	DH4440	---	\$ 57.96	3	3.1	1/16	1-3/4	7/8	1-1/4	7/16
4.45	4.1	3.7	---	2BK47H	\$ 57.96	3	2.8	1/16	1-3/4	7/8	1-1/4	7/16
4.55	4.2	3.8	DH4460	---	\$ 61.12	3	3.8	1/16	1-3/4	7/8	1-1/4	7/16
4.75	4.4	4.0	DH4480	2BK50H	\$ 61.84	3	3.9	1/16	1-3/4	7/8	1-1/4	7/16
4.95	4.6	4.2	DH4500	2BK52H	\$ 63.44	3	4.7	1/16	1-3/4	7/8	1-1/4	7/16
5.15	4.8	4.4	DH4520	---	\$ 66.88	3	4.8	1/16	1-3/4	7/8	1-1/4	7/16
5.35	5.0	4.6	DH4540	---	\$ 69.32	3	4.9	1/16	1-3/4	7/8	1-1/4	7/16
5.45	5.1	4.7	---	2BK57H	\$ 69.32	3	4.3	1/16	1-3/4	7/8	1-1/4	7/16
5.55	5.2	4.8	DH4560	---	\$ 70.36	4	4.0	1/16	1-3/4	7/8	1-1/4	7/16
5.75	5.4	5.0	DH4580	2BK60H	\$ 71.40	4	4.9	1/16	1-3/4	7/8	1-1/4	7/16
5.95	5.6	5.2	DH4600	2BK62H	\$ 72.36	4	4.9	1/16	1-3/4	7/8	1-1/4	7/16
6.15	5.8	5.4	DH4620	---	\$ 76.12	4	5.1	1/16	1-3/4	7/8	1-1/4	7/16
6.35	6.0	5.6	DH4640	---	\$ 78.76	4	5.9	1/16	1-3/4	7/8	1-1/4	7/16
6.45	6.1	5.7	---	2BK67H	\$ 78.76	4	5.0	5/16	1-3/4	5/8	1-1/4	7/16
6.55	6.2	5.8	DH4660	---	\$ 80.12	4	5.2	1/16	1-3/4	7/8	1-1/4	7/16
6.75	6.4	6.0	DH4680	2BK70H	\$ 81.48	4	6.1	1/16	1-3/4	7/8	1-1/4	7/16
6.95	6.6	6.2	DH4700	---	\$ 84.12	4	5.6	1/16	1-3/4	7/8	1-1/4	7/16
7.15	6.8	6.4	DH4720	---	\$ 86.72	4	6.9	1/16	1-3/4	7/8	1-1/4	7/16
7.75	7.4	7.0	DH4780	2BK80H	\$ 94.72	4	6.9	1/16	1-3/4	7/8	1-1/4	7/16
8.75	8.4	8.0	DH4880	2BK90H	\$ 96.53	4	8.8	1/16	1-3/4	7/8	1-1/4	7/16
8.95	8.6	8.2	DH4900	---	\$ 99.56	4	7.4	1/16	1-3/4	7/8	1-1/4	7/16
9.75	9.4	9.0	DH4980	2BK100H	\$111.92	4	9.7	1/16	1-3/4	7/8	1-1/4	7/16
10.75	10.4	10.0	DH5108	2BK110H	\$121.28	4	11.9	1/16	1-3/4	7/8	1-1/4	7/16
11.35	11.0	10.6	DH5114	---	\$131.56	4	12.0	1/16	1-3/4	7/8	1-1/4	7/16
11.75	11.4	11.0	DH5118	2BK120H	\$138.06	4	12.2	1/16	1-3/4	7/8	1-1/4	7/16
12.75	12.4	12.0	DH5128	2BK130H	\$148.88	4	13.2	1/16	1-3/4	7/8	1-1/4	7/16
13.95	13.6	13.2	DH5140	---	\$169.28	4	14.1	1/4	1-3/4	11/16	1-1/4	1/4
15.75	15.4	15.0	DH5158	2BK160H	\$176.72	4	19.2	1/4	1-3/4	11/16	1-1/4	1/4
18.75	18.4	18.0	DH5188	2BK190H	\$198.36	4	21.0	1/4	1-3/4	11/16	1-1/4	1/4

STYLE 3
(SOLID)



STYLE 4
(SPOKED)

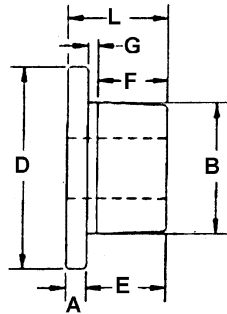


** List Prices Shown are For Sheave Only. Refer to Page A-9 for Bushing List Price.



HQ Ful-grip Bushings

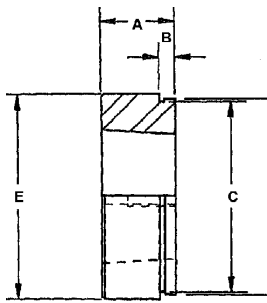
HQ BUSHING DIMENSIONS (inches)							List Price \$12.40	
A	B	D	E	F	G	L	Bolt Circle	Cap Screws
1/4	1-5/8	2-1/2	1	7/8	1/8	1-1/4	2	2-1/4 x 3/4



When Ordering Specify Bore Size

For Example: HQ x 3/4"

STOCK BORES	
BORE (inches)	KEYSEAT
3/8, 7/16, 1/2, 9/16	NONE
5/8, 11/16, 3/4, 3/16, 7/8	3/16 X 3/32
15/16, 1, 1-1/16, 1-1/8, 1-3/16, 1-1/4	1/4 X 1/8
1-5/16, 1-3/8	5/16 X 5/32
1-7/16, 1-1/2	3/8 X 3/16
BORE (mm)	KEYSTOCK
14, 16, 17	5 x 5
18, 19, 20, 22	6 x 6
24, 25, 28, 30	8 x 7
32, 35, 38	10 x 8



maurey weld-on hub for HQ bushing



Part Number HHQ1

HHQ1 DIMENSIONS (inches)				
A	B	C	D	E
7/8	3/16	2.311	2-3/8	2-1/2
List Price \$28.50				

maurey steel shaft collars

steel shaft collars

Made from cold rolled steel precision machined for true Running faces. Locked in position for vibration proof Service with cup point, hollow head set screws.



ORDER IN STANDARD PACKAGE QUANTITIES

Part Number	List Price	Bore Inches	Outside Diameter Inches	Width Inches	Size of Set Screw	Weight Ounces Each	Std. Pkg. Qty	Part Number	List Price	Bore Inches	Outside Diameter Inches	Width Inches	Size of Set Screw	Weight Ounces Each	Std.* Pkg. Qty
1544	\$ 1.52	3/16	7/16	1/4	8-32 X 1/8"	1/5	50	1517	\$ 6.56	1-1/2	2-1/4	3/4	3/8 X 3/8"	7-1/2	25
1542	\$ 1.56	1/4	5/8	9/32	10-32 X 1/8"	1/4	50	1521	\$ 8.32	1-9/16	2-1/2	13/16	3/8 X 3/8"	10-3/4	10
1543	\$ 1.60	5/16	5/8	11/32	10-32 X 1/8"	1/2	50	1522	\$ 8.52	1-5/8	2-1/2	13/16	3/8 X 3/8"	10	10
1500	\$ 1.68	3/8	3/4	3/8	1/4 X 3/16"	1/2	50	1518	\$ 8.72	1-11/16	2-1/2	13/16	3/8 X 3/8"	9-1/4	10
1501	\$ 1.76	7/16	7/8	7/16	1/4 X 1/4"	1	50	1523	\$11.12	1-3/4	2-3/4	7/8	1/2 X 1/2"	13-1/2	10
1502	\$ 1.84	1/2	1	7/16	1/4 X 1/4"	1-1/4	50	1524	\$11.32	1-13/16	2-3/4	7/8	1/2 X 1/2"	13	10
1503	\$ 2.20	9/16	1	7/16	1/4 X 1/4"	1-1/4	25	1525	\$11.52	1-7/8	2-3/4	7/8	1/2 X 1/2"	12-1/4	10
1504	\$ 2.32	5/8	1-1/8	1/2	5/16 X 1/4"	1-1/2	25	1519	\$11.80	1-15/16	3	7/8	1/2 X 1/2"	16-1/4	10
1505	\$ 2.52	11/16	1-1/4	9/16	5/16 X 1/4"	2	25	1526	\$12.00	2	3	7/8	1/2 X 1/2"	16	10
1506	\$ 2.52	3/4	1-1/4	9/16	5/16 X 1/4"	2	25	1530	\$13.08	2-1/8	3	7/8	1/2 X 1/2"	16	5
1507	\$ 2.88	13/16	1-5/16	9/16	5/16 X 1/4"	2	25	1531	\$13.28	2-3/16	3-1/4	15/16	1/2 X 1/2"	18-1/2	5
1508	\$ 3.00	7/8	1-1/2	9/16	5/16 X 5/16"	2-1/2	25	1532	\$13.48	2-1/4	3-1/4	15/16	1/2 X 1/2"	17-1/2	5
1509	\$ 3.32	15/16	1-5/8	9/16	5/16 X 5/16"	3-1/4	25	1533	\$13.68	2-5/16	3-1/4	15/16	1/2 X 1/2"	17-1/4	5
1510	\$ 3.44	1	1-5/8	5/8	5/16 X 5/16"	4	25	1534	\$13.92	2-3/8	3-1/4	15/16	1/2 X 1/2"	22	5
1511	\$ 4.60	1-1/16	1-3/4	5/8	5/16 X 5/16"	4-1/4	25	1535	\$16.40	2-7/16	3-1/2	1	1/2 X 1/2"	21-3/4	5
1512	\$ 4.80	1-1/8	1-3/4	5/8	5/16 X 5/16"	3-3/4	25	1536	\$16.60	2-1/2	3-1/2	1	1/2 X 1/2"	20-3/4	5
1513	\$ 5.28	1-3/16	2	11/16	3/8 X 3/8"	6	25	1537	\$20.00	2-9/16	3-3/4	1-1/8	1/2 X 5/8"	30	5
1514	\$ 5.52	1-1/4	2	11/16	3/8 X 3/8"	6	25	1538	\$22.00	2-11/16	4	1-1/8	1/2 X 5/8"	35	5
1520	\$ 5.76	1-5/16	2-1/8	11/16	3/8 X 3/8"	6-1/2	25	1539	\$24.20	2-3/4	4	1-1/8	1/2 X 5/8"	34	5
1515	\$ 6.00	1-3/8	2-1/8	3/4	3/8 X 3/8"	6-1/2	25	1540	\$26.40	2-15/16	4-1/4	1-1/8	1/2 X 5/8"	38	5
1516	\$ 6.28	1-7/16	2-1/4	3/4	3/8 X 3/8"	7-3/4	25	1541	\$26.80	3	4-1/4	1-1/8	1/2 X 5/8"	36	5

* Maurey Steel Shaft Collars Only Sold in Multiples of Standard Package Quantities (No Broken Lots)



Single Groove Sheave



Double Groove Sheave

INSTALLATION AND REMOVAL OF HQ BUSHINGS

INSTALLATION:

1. Make sure the bore of the sheave and the tapered cone surface of the bushing are free of all foreign substances such as paint, dirt, lubricants, etc. Do not use lubricants on installation.
2. Assemble as illustrated, by inserting two cap screws through clearance holes in bushing. Cap Screws are to be loosely inserted in sheave so that bushing easily slides on to shaft.
3. Place keystone in keyseat between shaft and bore of bushing.
4. Tighten screws progressively. (See tightening instructions.)

TIGHTENING INSTRUCTIONS:

When mounting HQ Bushings which are slotted all the way through to maintain even torque (Ful-Grip Design), tightening forces on the screws are multiplied many times by the wedging action of the tapered surface. If extreme screw tightening forces are applied in mounting the HQ Bushing, bursting pressure will be created in the hub of the mounted sheave which may cause it to crack, and void the warranty.

CAUTION: Do not use lubricants on screw threads or tapered surfaces
Refer to the recommended torque ratings.
Tighten bushing screws evenly and progressively

REMOVAL INSTRUCTIONS:

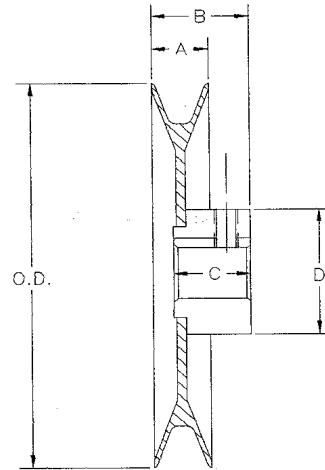
1. Loosen and remove cap screws.
2. Insert cap screws in threaded holes of bushing.
3. Tighten evenly until sheave is loose on shaft.

WRENCH TORQUE VALUE FOR TIGHTENING HQ FUL-GRIP BUSHING

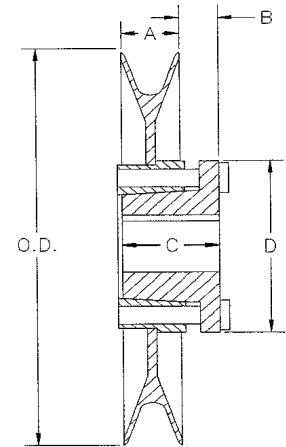
Bushing	Wrench Torque In Pounds	Wrench Length In Inches	Wrench Pull In Pounds
HQ	90	4	22
HQ	90	10	9



**Made-To-Order
Split Steel Sheaves
For OEM Quantities**



Bored to Size Sheave



HQ Bushed Sheave

Maurey Manufacturing is proud to announce the availability of split steel sheaves to our already comprehensive product line. Maurey Manufacturing has long been known for its commitment to providing the highest quality cast iron and turned steel sheaves to various industries. The recent addition of split steel sheaves to our product line meets the demand for an economical product that is stronger than our welded two piece stamped steel sheaves but does not require the rugged cast iron construction of our standard sheave line. Examples of available sizes below. Please call 1-800-284-2161 with your specific requests.

Minimum Quantity 250 Pieces or More

Examples of Some Available Sizes Below (Call the Factory for Lead Time)								
Split Steel Part Number	Cast Iron Equivalent	Sheave Type	Belt Section	Outside Diameter	Dimensions in Inches			
					A	B	C	D
SSAK32	AK32/AC33	Bored to Size	A	3.25	3/4	1-5/16	1	*
SSAK39	AK39/AC38	Bored to Size	A	3.75	3/4	1-5/16	1	*
SSAK41	AK41/AC40	Bored to Size	A	4.00	3/4	1-5/16	1	*
SSAK46	AK46/AC45	Bored to Size	A	4.50	3/4	1-5/16	1	*
SSAK51	AK51/AC50	Bored to Size	A	5.00	3/4	1-5/16	1	*
SSAK56	AK56/AC55	Bored to Size	A	5.45	3/4	1-5/16	1	*
SSAK64	AK64/AC63	Bored to Size	A	6.25	3/4	1-5/16	1	*
SSAK66	AK66/AC65	Bored to Size	A	6.45	3/4	1-5/16	1	*
SSBK52	BK52/BC50	Bored to Size	B	4.95	7/8	1-3/8	1	*
SSBK60	BK60/BC58	Bored to Size	B	5.75	7/8	1-3/8	1	*
SSAK51H	AK51H/AH50	HQ Bushed	A	5.00	3/4	1/2	1-1/4	2-1/2
SSAK56H	AK56H/AH55	HQ Bushed	A	5.45	3/4	1/2	1-1/4	2-1/2
SSAK64H	AK64H/AH63	HQ Bushed	A	6.25	3/4	1/2	1-1/4	2-1/2
SSBK52H	BK52H/BH50	HQ Bushed	B	4.95	7/8	7/16	1-1/4	2-1/2
SSBK60H	BK60H/BH58	HQ Bushed	B	5.75	7/8	7/16	1-1/4	2-1/2

* D = 1-1/4" for 5/16", 1/2", 5/8" bores. D = 1-1/2" for 3/4" bore. D = 1-3/4" for 7/8" and 1" bores.

**MAUREY MANUFACTURING IS YOUR SOURCE FOR BOTH
CAST IRON AND SPLIT STEEL SHEAVES!!!**

VISIT OUR WEB SITE AT WWW.CLARKTR.COM

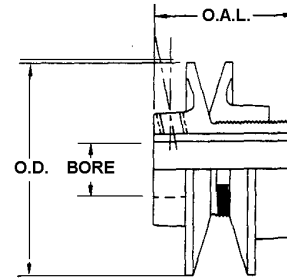


maurey Variable pitch diameter sheaves...machined for

- Longer Belt Wear
- Closer Operating Tolerances
- Quieter Performance (Decreased Decible Count)
- Finer Appearance
- Smooth, Quiet, Vibration Free Operation



Permits variation of as much as 30% in speed when used with sheave of a fixed diameter

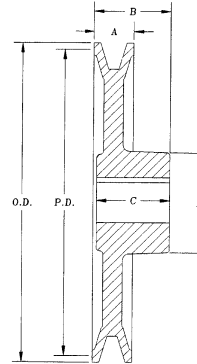


OUTSIDE DIAMETER INCHES	PART NUMBER	LIST PRICE	STOCK BORES AVAILABLE INCHES				PITCH DIAMETER INCHES						OVERALL WIDTH INCHES	APPROX WEIGHT LBS
							3L BELTS		A or 4L BELTS		B or 5L BELTS			
							MIN	MAX	MIN	MAX	MIN	MAX		
2.32	1VL25	\$ 15.20	1/2	5/8			1.4	2.4					1-19/32	0.7
2.87	1VL30	\$ 16.00	1/2	5/8			1.8	2.7					1-21/32	1.1
3.15	1VL34	\$ 16.00	1/2	5/8	3/4		1.7	2.5	1.9	2.9	2.4	3.2	1-11/16	1.1
3.75	1VL40	\$ 19.80	1/2	5/8	3/4		2.3	3.1	2.4	3.4	2.7	3.7	1-11/16	1.3
4.15	1VL44	\$ 24.80	1/2	5/8	3/4	7/8	2.7	3.5	2.8	3.8	3.1	4.1	1-11/16	1.3
4.75	1VM50	\$ 40.40	1/2	5/8	3/4	7/8	3.3	4.1	3.4	4.4	3.7	4.7	1-7/8	2.8

For Standard Keyway Dimension Refer to Chart in Section A



hi-q sheaves for air movement systems



With a spoke design that minimizes air resistance these Maurey sheaves assure utmost efficiency on air conditioning and similar installations. A special annealing process makes the spokes and the entire pulley extra strong. Balanced and true running, they assure quiet, efficient and low cost power transmission. Pulleys have rust-resistant finish. For "A" section belts

DIAMETER		PART NUMBER	LIST PRICE	STOCK BORES (NO KEYWAY)				DIMENSIONS, INCHES			WEIGHT Lbs	Std* Package Qty
O.D. Inches	P.D. Inches			5/8"	3/4"	7/8"	1"	A	B	C		
6.3	6.0	AC63K	\$ 26.20	X	X	X	X	3/4	1-1/4	1-1/8	2.1	18
7.2	7.0	AC72	\$ 32.60	X	X	X	X	3/4	1-1/4	1-1/8	2.4	18
8.2	8.0	AC82	\$ 41.70	X	X	X	X	3/4	1-1/4	1-1/8	2.7	18
9.2	9.0	AC92	\$ 44.60	X	X	X	X	3/4	1-1/4	1-1/8	3.1	8
10.2	10.0	AC102	\$ 53.80	X	X	X	X	3/4	1-1/4	1-1/8	3.4	8
11.2	11.0	AC112	\$ 59.60	X	X	X	X	3/4	1-1/4	1-1/8	4.7	8
12.2	12.0	AC122	\$ 65.30	X	X	X	X	3/4	1-1/4	1-1/8	4.9	8
14.2	14.0	AC142	\$ 87.20	X	X	X	X	3/4	1-1/4	1-1/8	7.0	8
5.0	5.0	OC50	\$ 19.20	X	X	X	X	19/32	1	1	1.2	18
6.0	6.0	OC60	\$ 20.40	X	X	X	X	19/32	1	1	1.4	18
7.0	7.0	OC70	\$ 23.20	X	X	X	X	19/32	1	1	1.5	18
8.0	8.0	OC80	\$ 26.40	X	X	X	X	19/32	1	1	1.8	18

* Sold in lots of standard package quantities only

Stock bores are furnished without a keyseat and with a 5/16-18 hollow head setscrew. Contact factory for production quantities on the following:

- a) Non-Stock Bores
- b) Pulleys with keyseats and/or square head setscrews



maurey

hi-q cast iron variable pitch sheaves



- Permits Variation of as much as 30% in speed when used with sheaves of fixed diameter
- Hassle free adjustment is allowed by Maurey's patented (#3,661,023) internal key which locks down on the flats in the threads by simply torquing down the setscrew (Type "S" has no internal key). There is no need to remove parts.
- Available in package quantities for air movement OEM units. Light duty diameter companion sheaves also available (See Section A)



TYPE S - One setscrew over flat. Machined all over to assure close balance
TYPE M & L - One setscrew with Maurey patented lock key that allows simple adjustment to stationary pulley. All components individually balanced before assembly to assure close balancing tolerances

SINGLE GROOVE VARIABLE PITCH SHEAVES												
O.D. Diameter Inches	Part Number	List Price	Type	STOCK BORES MARKED X							Overall Width Inches	Approx Weight Lbs
				1/2	5/8	3/4	7/8	1	1-1/8	1-3/8		
2.50	8250	\$ 23.60	S	X	X	X					1-33/64	1.0
3.25	8325	\$ 24.00	S	X	X	X					1-3/4	1.3
3.25	8325	\$ 31.20	M*				X	X	X		1-3/4	1.8
3.75	8350	\$ 31.20	S	X	X	X					1-3/4	1.6
3.75	8350	\$ 33.30	M*				X	X	X		1-3/4	2.2
4.15	8400	\$ 33.58	S	X	X	X					1-3/4	2.0
4.15	8400	\$ 46.40	M				X	X	X		1-3/4	2.6
4.75	8450	\$ 40.40	S	X	X	X					1-3/4	2.5
4.75	8450	\$ 56.56	M				X	X	X		1-3/4	3.0
5.35	8550	\$ 59.00	S	X	X	X					1-3/4	4.0
5.35	8550	\$ 76.20	M				X	X	X		1-3/4	4.0
6.00	8575	\$ 92.50	L				X		X	X	1-3/4	4.2
6.00	8600	\$ 93.40	M		X	X	X	X	X		1-3/4	4.4
6.00	8600	\$ 93.40	L							X	1-3/4	5.5
6.75	8670	\$ 97.80	M			X	X	X	X		1-3/4	6.3
6.75	8670	\$ 101.20	L							X	1-3/4	6.3
7.37	8740	\$ 140.92	M				X	X	X		1-3/4	7.2
7.37	8740	\$ 140.92	L							X	1-3/4	7.2

Dimensions Held to commercially acceptable tolerances For Std. Keyway Dimensions Refer to Chart in Section A
 * - Two Setscrews 180 Degrees Apart Over Flats In Place of Integral Locking Key

SINGLE GROOVE VARIABLE PITCH SHEAVES													
PART NUMBER	TYPE	PITCH DIAMETER AND PITCH RANGE											
		3L BELTS				"A" HY-T "AX" TORQUE-FLEX				"B" HY-T "BX" TORQUE FLEX			
		MIN PITCH	TURNS OPEN	MAX PITCH	TURNS OPEN	MIN PITCH	TURNS OPEN	MAX PITCH	TURNS OPEN	MIN PITCH	TURNS OPEN	MAX PITCH	TURNS OPEN
8250	S	1.6	4	2.4	0								
8325	S	2.2	4	3.0	0	2.4	5	3.4	0				
8325	M	2.2	4	3.0	0	2.8	4	3.4	0				
8350	S & M	2.7	4	3.5	0	2.9	5	3.9	0	3.0	7	4.0	2
8400	S & M	3.1	4	3.9	0	3.3	5	4.3	0	3.4	7	4.4	2
8450	S & M	3.7	4	4.5	0	3.9	5	4.9	0	4.0	7	5.0	2
8550	S & M	4.3	4	5.1	0	4.5	5	5.5	0	4.6	7	5.6	2
8575	L	4.3	4	5.1	0	4.6	5	5.6	0	4.6	7	6.0	2
8600	M & L	4.9	4	5.7	0	5.2	5	6.2	0	5.3	7	6.3	2
8670	M & L					5.9	5	6.9	0	6.0	7	7.0	2
8740	M & L					6.5	5	7.5	0	6.6	7	7.6	2

maurey hi-q cast iron variable pitch sheaves



- Cast iron construction. All cast iron sheaves are zinc phosphated for rust resistance
- When ordering variable pitch sheaves, specify bore with part number. For example: D8325 x 5/8"
- Horsepower Ratings
TYPE S - Fractional H.P.
TYPE M & L - Up to and including 10 H.P. per groove

TYPE S - One setscrew over flat. Machined all over to assure close balance
 TYPE M & L - One setscrew with Maurey patented lock key that allows simple adjustment to stationary pulley. All components individually balanced before assembly to assure close balancing tolerances

TWO GROOVE VARIABLE PITCH SHEAVES													
O.D. Diameter Inches	Part Number	List Price	Type	STOCK BORES MARKED X								Overall Width Inches	Approx Weight Lbs
				1/2	5/8	3/4	7/8	1	1-1/8	1-3/8	1-5/8 •		
3.25	D8325	\$ 73.94	M*	X	X	X	X	X	X			3	3.3
3.75	D8350	\$ 84.80	M*		X	X	X	X	X			3	4.1
4.15	D8400	\$ 91.20	M		X	X	X	X	X			3-3/8	5.1
4.75	D8450	\$ 97.80	M		X	X	X	X	X			3-3/8	6.0
5.35	D8550	\$115.00	M		X	X	X	X	X			3-3/8	7.0
5.35	D8550	\$115.00	L							X	X	3-3/8	8.5
6.00	D8575	\$147.00	L				X		X	X	X	3-3/8	8.7
6.00	D8600	\$147.15	M			X	X	X	X			3-3/8	8.7
6.00	D8600	\$154.40	L							X	X	3-3/8	10.1
6.75	D8670	\$157.52	M			X	X	X	X			3-3/8	12.4
6.75	D8670	\$166.76	L							X	X	3-3/8	12.4
7.35	D8740	\$250.60	M			X	X	X	X			3-3/8	14.8
7.35	D8740	\$250.60	L							X	X	3-3/8	14.8

* Two Setscrews 180 Degrees Apart Over Flats In place of Integral Locking Key

Dimensions Held to commercially acceptable tolerances

▲ For Std Keyway Dimensions See Chart in Section A

- Shallow keyseat 3/8" x 1/16". A 3/8" x 1/4" key is furnished.

TWO GROOVE VARIABLE PITCH SHEAVES													
PART NUMBER	TYPE	PITCH DIAMETER AND PITCH RANGE											
		3L BELTS				"A" HY-T "AX" TORQUE-FLEX				"B" HY-T "BX" TORQUE FLEX			
		MIN PITCH	TURNS OPEN	MAX PITCH	TURNS OPEN	MIN PITCH	TURNS OPEN	MAX PITCH	TURNS OPEN	MIN PITCH	TURNS OPEN	MAX PITCH	TURNS OPEN
D8325	M	2.2	4	3.0	0	2.8	4	3.4	0				
D8350	M	2.7	4	3.5	0	2.9	5	3.9	0	3.0	7	4.0	2
D8400	M	3.1	4	3.9	0	3.3	5	4.3	0	3.4	7	4.4	2
D8450	M	3.7	4	4.5	0	3.9	5	4.9	0	4.0	7	5.0	2
D8550	M & L					4.5	5	5.5	0	4.6	7	5.6	2
D8575	L					4.8	5	5.8	0	4.9	7	6.3	2
D8600	M & L					5.2	5	6.2	0	5.3	7	6.3	2
D8670	M & L					5.9	5	6.9	0	6.0	7	7.0	2
D8740	M & L					6.5	5	7.5	0	6.6	7	7.6	2

maurey hi-q cast iron variable pitch sheaves



Permits Variation of as much as 30% in speed when used with sheaves of fixed diameter

Removable lock key in common commercial design (Style 2 parts).

Strong cast iron construction ensures long life of groove and bore and keyway.



- TYPE 1 -** One setscrew over flat. Machined all over to assure close balance
- TYPE 2 -** One setscrew over removable lock key. Key must be replaced and locked in position by setscrew(s) before operation. All components are individually balanced before assembly to assure close balancing tolerances.

SINGLE GROOVE VARIABLE PITCH SHEAVES													
O.D. Diameter Inches	Part Number	List Price	Type	STOCK BORES MARKED X							Overall Width Inches	Approx Weight Lbs	
				1/2	5/8	3/4	7/8	1	1-1/8	1-3/8			
2.32	1VP25	\$ 23.60	1	X	X						1-19/32	0.7	
2.87	1VP30	\$ 24.68	1	X	X						1-21/32	1.1	
3.15	1VP34	\$ 24.00	1	X	X	X	X				1-7/8	1.4	
3.75	1VP40	\$ 31.20	1	X	X	X	X				1-7/8	1.9	
4.15	1VP44	\$ 33.58	1	X	X	X					1-7/8	2.4	
4.15	1VP44	\$ 46.40	2				X	X	X		1-7/8	2.9	
4.75	1VP50	\$ 40.40	1	X	X	X					2	2.9	
4.75	1VP50	\$ 56.56	2				X	X	X		1-7/8	3.6	
5.35	1VP56	\$ 59.00	1	X	X	X					1-7/8	3.8	
5.35	1VP56	\$ 76.20	2				X	X	X		1-7/8	4.4	
6.00	1VP60 *	\$ 92.50	2				X	X	X	X	1-21/32	6.5	
6.00	1VP62 *	\$ 93.40	2		X	X	X	X	X	X	1-29/32	6.1	
6.50	1VP65 *	\$ 97.76					X				1-21/32	6.8	
6.55	1VP68 *	\$ 97.80	2			X	X	X	X	X	1-29/32	7.3	
7.10	1VP71 *	\$ 104.21	2							X	X	1-21/32	8.2
7.50	1VP75 *	\$ 140.92	2				X	X	X	X	1-21/32	9.2	

Dimensions Held to commercially acceptable tolerances For Standard Keyway Dimensions See Chart in Section A
* - HAS NO HUB PROJECTION

SINGLE GROOVE VARIABLE PITCH SHEAVES													
PART NUMBER	TYPE	PITCH DIAMETER AND PITCH RANGE											
		3L BELTS				"A" HY-T "AX" TORQUE-FLEX				"B" HY-T "BX" TORQUE FLEX			
		MIN PITCH	TURNS OPEN	MAX PITCH	TURNS OPEN	MIN Datum	TURNS OPEN	MAX Datum	TURNS OPEN	MIN Datum	TURNS OPEN	MAX Datum	TURNS OPEN
1VP25	1	1.4	4	2.2	0								
1VP30	1	1.8	4	2.7	0								
1VP34	1	1.7	4	2.5	0	1.9	5	2.9	0	2.4	5	3.2	1
1VP40	1	2.3	4	3.1	0	2.4	5	3.4	0	2.7	6	3.7	1
1VP44	1 & 2	2.7	4	3.5	0	2.8	5	3.8	0	3.1	6	4.1	1
1VP50	1 & 2	3.3	4	4.1	0	3.4	5	4.4	0	3.7	6	4.7	1
1VP56	1 & 2	3.9	4	4.7	0	4.0	5	5.0	0	4.3	6	5.3	1
1VP60	2					4.2	5	5.2	0	4.3	6	5.5	0
1VP62	2	4.5	4	5.3	0	4.6	5	5.6	0	4.9	6	5.9	1
1VP65	2					4.7	5	5.7	0	4.8	6	6.0	0
1VP68	2	5.1	4	5.9	0	5.2	5	6.2	0	5.5	6	6.5	1
1VP71	2					5.3	5	6.3	0	5.4	6	6.6	0
1VP75	2					5.7	5	6.7	0	5.8	6	7.0	0

Not recommended for use with this belt cross section.



hi-q cast iron variable pitch sheaves



Strong cast iron construction ensures long life of groove and bore and keyway.



Removable lock key in common commercial design (Style 2 parts).



Horsepower Ratings

TYPE 1 - Fractional H.P.

TYPE 2 - Up to and including 10 H.P. per groove



TYPE 1 - One setscrew over flat. Machined all over to assure close balance

TYPE 2 - One setscrew over removable lock key. Key must be replaced and locked in position by setscrew(s) before operation. All components are individually balanced before assembly to assure close balancing tolerances.

TWO GROOVE VARIABLE PITCH SHEAVES													
O.D. Diameter Inches	Part Number	List Price	Type	STOCK BORES								Overall Width Inches	Approx Weight Lbs
				MARKED X									
				1/2	5/8	3/4	7/8	1	1-1/8	1-3/8	1-5/8		
3.35	2VP36	\$ 73.94	1	X	X	•	X	X	X			3	3.4
3.95	2VP42	\$ 91.20	1		X	•	X	X	X			3	4.4
4.75	2VP50	\$ 97.80	2		X	•	X	X	X			3	6.3
5.35	2VP56	\$114.98	2			•	X	X	X	X	X	3	7.8
6.00	2VP60	\$147.25	2			•	X	X	X	X	X	3-1/4	10.6
5.95	2VP62	\$147.14	2			•	X	X	X	X	X	3	10.0
6.50	2VP65	\$159.21	2			•				X		3-1/4	12.3
6.55	2VP68	\$157.52	2			•	X	X	X	X	X	3	11.7
7.50	2VP75	\$250.60	2			•		X	X	X	X	3-1/4	16.5

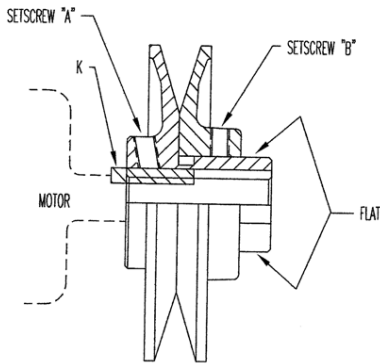
Dimensions Held to commercially acceptable tolerances

▲ For Std. Keyway Dimensions See Chart in Section A

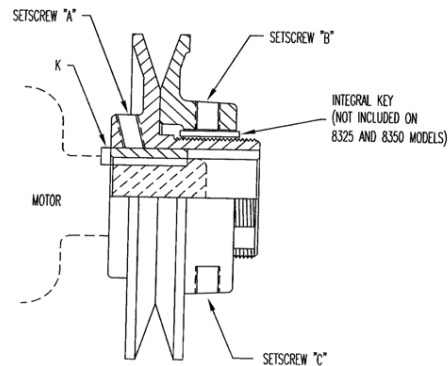
TWO GROOVE VARIABLE PITCH SHEAVES													
PART NUMBER	TYPE	PITCH DIAMETER AND PITCH RANGE											
		3L BELTS				"A" HY-T "AX" TORQUE-FLEX				"B" HY-T "BX" TORQUE FLEX			
		MIN PITCH	TURNS OPEN	MAX PITCH	TURNS OPEN	MIN Datum	TURNS OPEN	MAX Datum	TURNS OPEN	MIN Datum	TURNS OPEN	MAX Datum	TURNS OPEN
2VP36	1	1.9	4	2.7	0	2.0	5	3.0	0	2.5	5	3.3	1
2VP42	1	2.5	4	3.3	0	2.6	5	3.6	0	2.9	6	3.9	1
2VP50	2	3.3	4	4.1	0	3.4	5	4.4	0	3.7	6	4.7	1
2VP56	2	3.9	4	4.7	0	4.0	5	5.0	0	4.3	6	5.3	1
2VP60	2					4.2	5	5.2	0	4.3	6	5.5	0
2VP62	2	4.5	4	5.3	0	4.6	5	5.6	0	4.9	6	5.9	1
2VP65	2					4.7	5	5.7	0	4.8	6	6.0	0
2VP68	2	5.1	4	5.9	0	5.2	5	6.2	0	5.5	6	6.5	1
2VP75	2					5.7	5	6.7	0	5.8	6	7.0	0

Not recommended for use with this belt cross section.

SINGLE GROOVE VARIABLE PITCH INSTALLATION INSTRUCTIONS



DO NOT OPERATE SHEAVE WITH FLANGE END PROTRUDING BEYOND STEM



STYLE "S"

STYLE "M" AND "L"

MOTOR MUST BE LOCKED OUT AND ALL APPLICABLE SAFETY PRECAUTIONS MUST BE FOLLOWED WHEN ADJUSTING DRIVE.

Place sheave on shaft with hub (body) side towards the motor. Place keystock "K" (not provided unless a rectangular key is required) in keyseat between shaft and bore of body. (Note: 1/2 inch bores do not have keyslots).

Align shafts and drive and lock variable pitch sheave on shaft using setscrew "A". Use between 135 in-lbs and 150 in-lbs of torque. **NOTE: Using higher than recommended installation torque may cause damage to the sheave.**

Loosen setscrew "B" (and "C" if available) and adjust sheave to desired pitch by opening the appropriate number of turns from the first flat after the full closed position. **NOTE: Each turn changes the pitch line by 0.5 inch.**

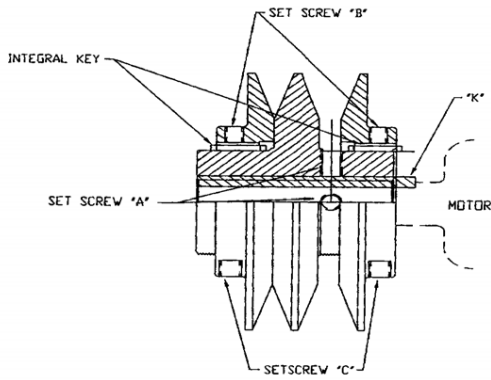
- 1.1. On style "S" sheaves, visually locate the setscrew "B" over the flat on the body stem. Lock the setscrew down using between 135 in-lbs and 150 in-lbs of torque.
- 1.1. On 8325 & 8350 "M" style sheaves, locate either setscrew "B" or "C" over the flat on the body stem. Lock both setscrews down using between 135 in-lbs and 150 in-lbs of torque.
- 1.1. On 8400 and larger "M" and "L" style sheaves, locate Maurey Integral Quick Key over the flat (TIP keep finger on key while adjusting it to feel it seat on flat). Lock down using between 135 in-lbs and 150 in-lbs of torque. **KEY MUST BE LOCKED OVER FLAT FOR PROPER OPERATION.**

Place belt over sheaves (DO NOT PRY BELTS OVER SHEAVES). Adjust drive to proper tension. Lock motor in place. Additional adjustments may be made by loosening the belts and following steps 2 through 5 above.

NOTE: ALL SETCREWS MUST BE LOCKED IN PLACE PRIOR TO STARTING THE DRIVE. DAMAGE MAY BE DONE TO SHEAVES AND EQUIPMENT IF SETCREWS ARE NOT PROPERLY LOCKED IN PLACE. ADDITIONAL DRIVE AND SETSCREW TIGHTENING SHOULD BE PERFORMED AFTER TWENTY-FOUR HOURS OF OPERATION.

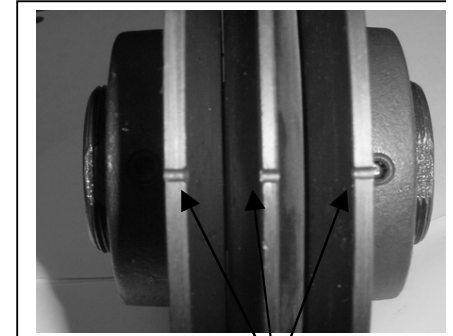
OUTER DIA.	PART NO.	STYLE	BORES
2.50	8250	S	1/2, 5/8, 3/4
3.25	8325	S	1/2, 5/8, 3/4
3.25	8325	M	7/8, 1, 1-1/8
3.75	8350	S	1/2, 5/8, 3/4
3.75	8350	M	7/8, 1, 1-1/8
4.15	8400	S	1/2, 5/8, 3/4
4.15	8400	M	7/8, 1, 1-1/8
4.75	8450	S	1/2, 5/8, 3/4
4.75	8450	M	7/8, 1, 1-1/8
5.35	8550	S	5/8, 3/4
5.35	8550	M	7/8, 1, 1-1/8
6.00	8575	M	7/8, 1-1/8, 1-3/8
6.00	8600	M	5/8, 3/4, 7/8, 1, 1-1/8
6.00	8600	L	1-3/8
6.75	8670	M	3/4, 7/8, 1, 1-1/8
6.75	8670	L	1-3/8
7.37	8740	M	3/4, 7/8, 1, 1-1/8
7.37	8740	L	1-3/8

DOUBLE GROOVE VARIABLE PITCH INSTALLATION INSTRUCTIONS



STYLE "M" AND "L"

**DO NOT OPERATE
SHEAVE WITH FLANGE
END PORTRUDING
BEYOND BODY STEM**



O.D. ALIGNMENT MARKINGS

1. MOTOR MUST BE LOCKED OUT AND ALL APPLICABLE SAFETY PRECAUTIONS MUST BE FOLLOWED WHEN ADJUSTING DRIVE.
2. Place sheave on shaft with hub (body) setscrew side towards the motor (setscrew on body between flange and center piece). Place keystock "K" (not provided unless a rectangular key is required) in keyseat between shaft and bore of body. (Note: 1/2 inch bores do not have keyways).
3. Align shafts and drive and lock variable pitch sheave on shaft using setscrews "A". Use between 135 in-lbs and 150 in-lbs of torque. **NOTE: Using higher than recommended installation torque may cause damage to the sheave.**
4. Loosen setscrew "B" (and "C" if available) and adjust sheave flange to desired pitch by opening the appropriate number of turns from the first flat after the full closed position. Each turn changes the pitch line by 0.5 inch. **Front and back side flange setscrews may be 180 degrees apart when over first flat and in final locking position.**

4.1 On D8325 & D8350 model sheaves, visually locate the setscrew "B" over the flat on the body stem. Lock the setscrews "B" AND "C" down using between 135 in-lbs and 150 in-lbs of torque.

4.2 On all other model sheaves, locate Maurey Integral Quick Key over the flat (TIP keep finger on key while adjusting it to feel it seat on flat). Lock down using between 135 in-lbs and 150 in-lbs of torque. **KEY MUST BE LOCKED OVER FLAT FOR PROPER OPERATION. USE O.D ALIGNMENT MARKINGS ON FLANGE AND BODY O.D. TO LOCATE KEY OVER FLAT (SEE PICTURE ABOVE).**

Place belt over sheaves (DO NOT PRY BELTS OVER SHEAVES). Adjust drive to proper tension. Lock motor in place. Additional adjustments may be made by loosening the belts and following steps 2 through 5 above.

NOTE: ALL SETSCREWS MUST BE LOCKED IN PLACE PRIOR TO STARTING THE DRIVE. DAMAGE MAY BE DONE TO SHEAVES AND EQUIPMENT IF SETSCREWS ARE NOT PROPERLY LOCKED IN PLACE. ADDITIONAL DRIVE AND SETSCREW TIGHTENING SHOULD BE PERFORMED AFTER TWENTY-FOUR HOURS OF OPERATION.

TIP: IF ONE BELT APPEARS LOOSE, REMOVE TENSION FROM THE DRIVE AND ADJUST LOOSE SIDE FLANGE BY ONE HALF TURN.

OUTER DIA.	PART NO.	STYLE	BORES
3.25	D8325	M	1/2, 5/8, 3/4, 7/8, 1, 1-1/8
3.75	D8350	M	5/8, 3/4, 7/8, 1, 1-1/8
4.15	D8400	M	5/8, 3/4, 7/8, 1, 1-1/8
4.75	D8450	M	5/8, 3/4, 7/8, 1, 1-1/8
5.35	D8550	M	5/8, 3/4, 7/8, 1, 1-1/8
5.35	D8550	L	1-3/8, 1-5/8
6.00	D8575	L	7/8, 1-1/8, 1-3/8, 1-5/8
6.00	D8600	M	3/4, 7/8, 1, 1-1/8
6.00	D8600	L	1-3/8, 1-5/8
6.75	D8670	M	3/4, 7/8, 1, 1-1/8
6.75	D8670	L	1-3/8, 1-5/8
7.35	D8740	M	3/4, 7/8, 1, 1-1/8
7.35	D8740	L	1-3/8, 1-5/8

the fast easy way to determine the bore size you need **NEMA Motor Standards**

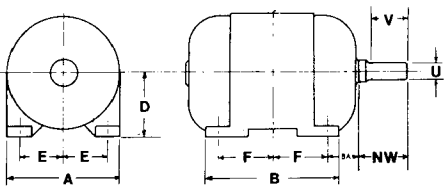
NEMA Frame and HP Assignments for open type polyphase squirrel-cage 60 cycle motors

MOTOR HP	3500 RPM				1750 RPM				1160 RPM				860 RPM			
	FRAME & SHAFT SIZE				FRAME & SHAFT SIZE				FRAME & SHAFT SIZE				FRAME & SHAFT SIZE			
	OLD	SHAFT	1956 & T	SHAFT	OLD	SHAFT	1956 & T	SHAFT	OLD	SHAFT	1956 & T	SHAFT	OLD	SHAFT	1956 & T	SHAFT
1/2													204	3/4	182 143T	7/8
3/4								203	3/4	182 143T	7/8		224	1	184 145T	7/8
1					203	3/4	182 143T	7/8	204	3/4	184 145T	7/8	225	1	213 182T	1 1/8
1 1/2	203	3/4	182 143T	7/8	204	3/4	184 145T	7/8	224	1	184 182T	7/8 1 1/8	254	1 1/8	213 184T	1 1/8
2	204	3/4	184 145T	7/8	224	1	184 145T	7/8	225	1	213 184T	1 1/8	254	1 1/8	215 213T	1 1/8 1 3/8
3	224	1	184 145T	7/8	225	1	213 182T	1 1/8	254	1 1/8	215 213T	1 1/8 1 3/8	284	1 1/4	254U 215T	1 3/8
5	225	1	213 182T	1 1/8	254	1 1/8	215 184T	1 1/8	284	1 1/4	254U 215T	1 3/8	324	1 5/8	256U 254T	1 3/8 1 5/8
7 1/2	254	1 1/8	215 184T	1 1/8	284	1 1/4	254U 213T	1 3/8	324	1 5/8	256U 254T	1 3/8 1 5/8	326	1 5/8	284U 256T	1 5/8
10	284	1 1/4	254U 213T	1 3/8	324	1 5/8	256U 215T	1 3/8	326	1 5/8	284U 256T	1 3/8	364	1 7/8	286U 284T	1 5/8 1 7/8
15	324	1 5/8	256U 215T	1 3/8	326	1 5/8	284U 254T	1 3/8	364	1 7/8	324U 284T	1 3/8	365	1 7/8	326U 286T	1 3/8
20	326	1 5/8	284U 254T	1 3/8	364	1 7/8	286U 256T	1 3/8	365	1 7/8	326U 286T	1 3/8			364U 324T	2 1/8
25	364S	1 5/8	286U 256T	1 3/8	364	1 7/8	324U 284T	1 3/8			364U 324T	2 1/8			365U 326T	2 1/8
30	364S	1 5/8	324S 284TS	1 3/8	365	1 7/8	326U 286T	1 3/8			365U 326T	2 1/8			404U 364T	2 3/8
40	365S	1 5/8	326S 286TS	1 3/8			364U 324T	2 1/8			404U 364T	2 3/8			405U 365T	2 3/8
50			364US 324TS	1 3/8			365US 326T	1 3/8 2 1/8			405U 365T	2 3/8			444U 404T	2 7/8
60			365US 326TS	1 3/8			404US 364TS	2 1/8 1 3/8			444U 404T	2 3/8			445U 405T	2 7/8
75			404US 364TS	2 1/8 1 3/8			405US 365TS	2 1/8 1 3/8			445U 405T	2 3/8			444T	3 3/8
100			405US 365TS	2 1/8 1 3/8			444US 404TS	2 1/8			444T	3 3/8			445T	3 3/8
125			444US 404TS	2 1/8			445US 405TS	2 1/8			445T	3 3/8				
150			405US 405TS	2 1/8			444TS	2 3/8								
200			444TS	2 3/8			445TS	2 3/8								
250			445TS	2 3/8												

NOTE: Suffix S Denotes short shaft motor for direct coupled service. For belt drives consult motor manufacturer.

NEMA MOTOR FRAME DIMENSIONS

Standardized motor dimensions as established by the National Electrical Manufacturers Association (NEMA) are tabulated at right and apply to all motors listed in the MotorBook which carry a NEMA frame designation.



All dimensions in inches.

(*) Dimension D will never be greater than the above values on rigid mount motors, but it may be less so that shims may be required for coupled or geared machines. When exact dimension is required, shims up to 1/32" may be necessary on frame sizes whose dimension D is 8" or less, on larger frames shims up to 1/16" may be necessary.

(+) Certain Nema 56 frame motors have 1/2" dia. x 1 1/2" long shaft with 3/64" flat. These exceptions are noted in this Manual.

Effective length of keyway.

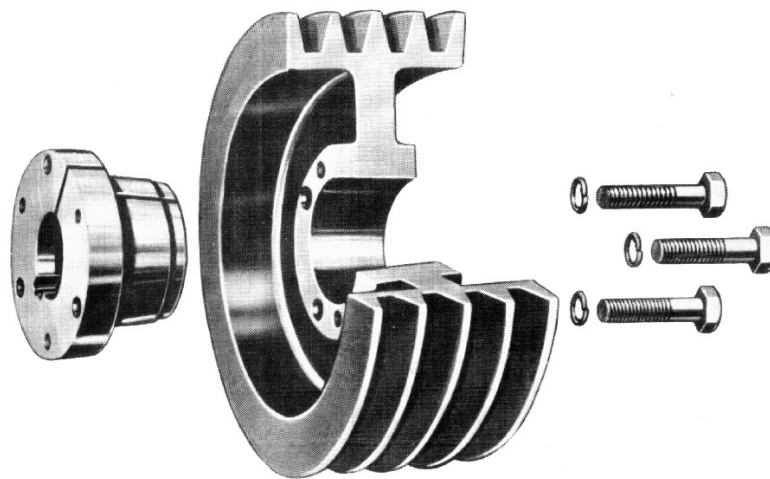
Also has additional mounting holes in base spaced at NEMA 56 frame "2F" dimensions.

(§) Dimension "V" is the length of shaft available for coupling, pinion or pulley hub — this is a minimum value.

FRAME NO.	SHAFT		KEY			DIMENSIONS INCHES																	
	U	V	W	T	L	A	B	D	E	F	BA	FRAME NO.	U	V	W	T	L	A	B	D	E	F	BA
143T	7/8	2	3/16	3/16	1 1/8	7	6	3 1/2	2 3/4	2	2 1/4	365	1 1/8	5 3/8	1/2	1/2	4 1/4	18	16 1/4	9	7	6 1/4	5 7/8
145T	7/8	2	3/16	3/16	1 1/8	7	6	3 1/2	2 3/4	2 1/2	2 1/4	365S	1 1/8	3	3/8	3/8	1 7/8	18	16 1/4	9	7	6 1/4	5 7/8
182	7/8	2	3/16	3/16	1 1/8	9	6 1/2	4 1/2	3 3/4	2 1/4	2 3/4	365U	2 1/8	6 1/8	1/2	1/2	5	18	16 1/4	9	7	6 1/4	5 7/8
182T	1 1/8	2 1/2	3/4	1/4	1 3/4	9	6 1/2	4 1/2	3 3/4	2 1/4	2 3/4	365US	1 1/8	3 1/2	1/2	1/2	2	18	16 1/4	9	7	6 1/4	5 7/8
184	7/8	2	3/16	3/16	1 1/8	9	7 1/2	4 1/2	3 3/4	2 3/4	2 3/4	365T	2 3/8	5 5/8	5/8	5/8	4 1/4	18	16 1/4	9	7	6 1/4	5 7/8
184T	1 1/8	2 1/2	3/4	1/4	1 3/4	9	7 1/2	4 1/2	3 3/4	2 3/4	2 3/4	365TS	2 3/8	5 5/8	5/8	5/8	4 1/4	18	16 1/4	9	7	6 1/4	5 7/8
203	3/4	2	3/16	3/16	1 1/8	10	7 1/2	5	4	2 3/4	3 1/8	404	2 1/8	3 1/2	1/2	1/2	2	18	16 1/4	9	7	6 1/4	5 7/8
204	3/4	2	3/16	3/16	1 1/8	10	8 1/2	5	4	3 1/4	3 1/8	404S	1 1/8	3 1/2	1/2	1/2	2	20	16 1/4	10	8	6 1/4	6 1/8
213	1 1/8	2 3/4	1/4	1/4	2	10 1/2	7 1/2	5 1/4	4 1/4	2 3/4	3 1/2	404U	2 3/8	6 1/8	5/8	5/8	5 1/2	20	16 1/4	10	8	6 1/4	6 1/8
213T	1 3/8	3 1/8	5/16	1/4	2 3/8	10 1/2	7 1/2	5 1/4	4 1/4	2 3/4	3 1/2	404US	2 1/8	4	1/2	1/2	2 3/4	20	16 1/4	10	8	6 1/4	6 1/8
215	1 1/8	2 3/4	1/4	1/4	2	10 1/2	9	5 1/4	4 1/4	3 1/2	3 1/2	404U	2 1/8	4	1/2	1/2	2 3/4	20	16 1/4	10	8	6 1/4	6 1/8
215T	1 3/8	3 1/8	5/16	1/4	2 3/8	10 1/2	9	5 1/4	4 1/4	3 1/2	3 1/2	404US	2 1/8	4	1/2	1/2	2 3/4	20	16 1/4	10	8	6 1/4	6 1/8
215T	1 3/8	3 1/8	5/16	1/4	2 3/8	10 1/2	9	5 1/4	4 1/4	3 1/2	3 1/2	404T	2 7/8	7	3/4	3/4	5 3/8	20	16 1/4	10	8	6 1/4	6 1/8
224	1	2 3/4	1/4	1/4	2	11	8 3/4	5 1/2	4 1/2	3 3/8	3 1/2	404TS	2 1/8	4	1/2	1/2	2 3/4	20	16 1/4	10	8	6 1/4	6 1/8
225	1	2 3/4	1/4	1/4	2	11	9 1/2	5 1/2	4 1/2	3 3/4	3 1/2	405	2 1/8	6 1/8	1/2	1/2	5	20	17 3/4	10	8	6 1/4	6 1/8
254	1 1/8	3 1/8	5/16	1/4	2 3/8	12 1/2	10 3/4	6 1/4	5	4 1/4	4 1/4	405S	1 1/8	3 1/2	1/2	1/2	2	20	17 3/4	10	8	6 1/4	6 1/8
254U	1 3/8	3 1/2	5/16	1/4	2 3/8	12 1/2	10 3/4	6 1/4	5	4 1/4	4 1/4	405U	2 3/8	6 1/8	5/8	5/8	5 1/2	20	17 3/4	10	8	6 1/4	6 1/8
254T	1 1/8	3 3/4	3/8	3/8	2 7/8	12 1/2	10 3/4	6 1/4	5	4 1/4	4 1/4	405US	2 1/8	4	1/2	1/2	2 3/4	20	17 3/4	10	8	6 1/4	6 1/8
256U	1 3/8	3 1/2	5/16	1/4	2 3/8	12 1/2	12 1/2	6 1/4	5	5	4 1/4	405T	2 7/8	7	3/4	3/4	5 3/8	20	17 3/4	10	8	6 1/4	6 1/8
256T	1 1/8	3 3/4	3/8	3/8	2 7/8	12 1/2	12 1/2	6 1/4	5	5	4 1/4	405TS	2 1/8	4	1/2	1/2	2 3/4	20	17 3/4	10	8	6 1/4	6 1/8
284	1 1/4	3 1/2	1/4	1/4	2 3/4	14	12 1/2	7	5 1/2	4 3/4	4 3/4	444	2 3/8	6 1/8	5/8	5/8	5 1/2	22	20 1/2	11	9	7 1/4	7 1/2
284U	1 1/4	4 1/8	3/8	3/8	3 3/4	14	12 1/2	7	5 1/2	4 3/4	4 3/4	444S	2 1/8	4	1/2	1/2	2 3/4	22	18 1/2	11	9	7 1/4	7 1/2
284T	1 1/8	4 3/8	1/2	1/2	3 1/4	14	12 1/2	7	5 1/2	4 3/4	4 3/4	444U	2 1/8	8 3/8	3/4	3/4	7	22	18 1/2	11	9	7 1/4	7 1/2
284TS	1 1/8	3	3/8	3/8	1 7/8	14	12 1/2	7	5 1/2	4 3/4	4 3/4	444US	2 1/8	4	1/2	1/2	2 3/4	22	18 1/2	11	9	7 1/4	7 1/2
286U	1 1/8	4 5/8	3/8	3/8	3 3/4	14	14	7	5 1/2	5 1/2	4 3/4	444T	3 3/8	8 1/4	7/8	7/8	6 3/4	22	18 1/2	11	9	7 1/4	7 1/2
286T	1 1/8	4 3/8	1/2	1/2	3 1/4	14	14	7	5 1/2	5 1/2	4 3/4	444TS	2 3/8	4 1/2	5/8	5/8	3	22	18 1/2	11	9	7 1/4	7 1/2
286TS	1 1/8	3	3/8	3/8	1 7/8	14	14	7	5 1/2	5 1/2	4 3/4	445	2 3/8	6 1/8	5/8	5/8	5 1/2	22	20 1/2	11	9	8 1/4	7 1/2
324	1 1/8	4 5/8	3/8	3/8	3 3/4	16	14	8	6 1/4	5 1/4	5 1/4	445S	2 1/8	4	1/2	1/2	2 3/4	22	20 1/2	11	9	8 1/4	7 1/2
324U	1 1/8	5 3/8	1/2	1/2	4 1/4	16	14	8	6 1/4	5 1/4	5 1/4	445U	2 7/8	8 3/8	3/4	3/4	7	22	20 1/2	11	9	8 1/4	7 1/2
324S	1 1/8	3	3/8	3/8	1 7/8	16	14	8	6 1/4	5 1/4	5 1/4	445US	2 1/8	4	1/2	1/2	2 3/4	22	20 1/2	11	9	8 1/4	7 1/2
324T	2																						



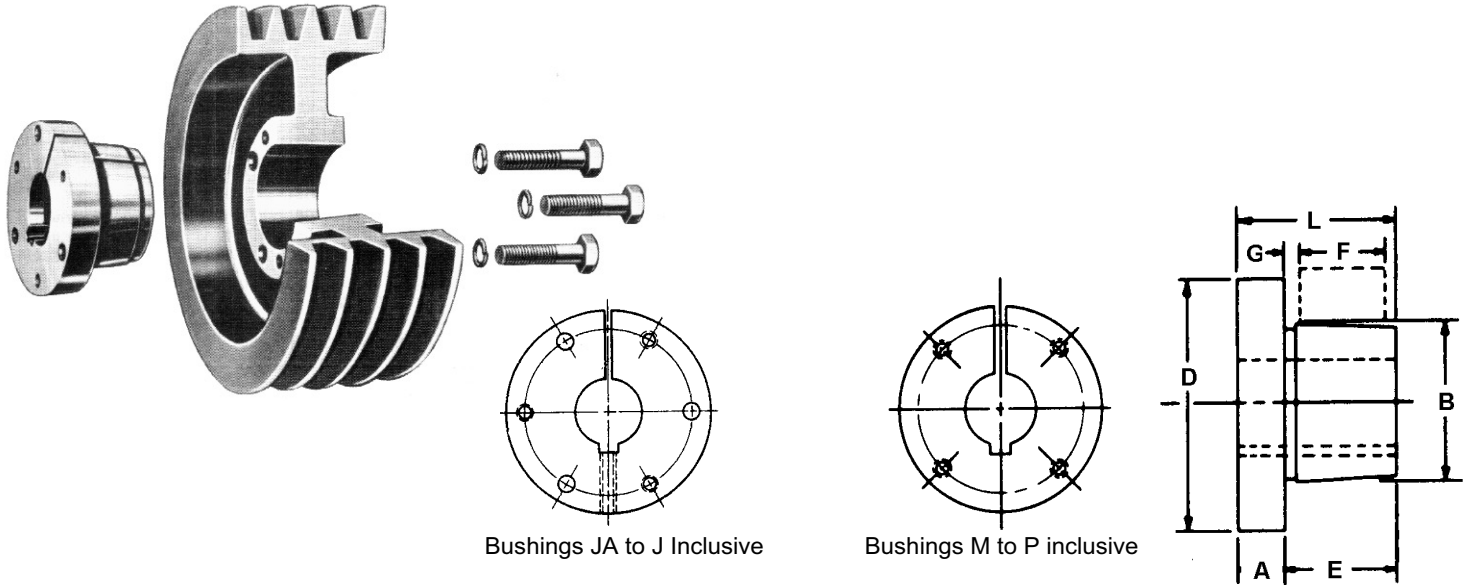
MULTI-V FUL-GRIP SHEAVES AND BUSHINGS



FUL-GRIP (QD™) BUSHINGS
FUL-GRIP (QD™) SHEAVES
STANDARD MULTI-V SHEAVES
SPECIAL MADE-TO-ORDER SHEAVES

Industry puts Maurey sheaves on more drives every year simply because it pays to do so. Machined from close-grained, grey iron castings and statically balanced to MPTA standards, these sheaves will stand up to hard service and provide smooth, quiet-running, belt-saving performance. However, please note that cast iron sheaves cannot exceed 6500 feet per a minute rim speed. Also, special or dynamic balancing should be considered when rim speeds exceed 5000 feet per a minute. Maurey sheaves are available in stock sizes for B, C, D section belts. Maurey also offers special made-to-order items for B, C, D section belts as well. The Ful-Grip bushing system is Maurey's answer to the need for sheaves that are installed, removed, and interchanged with the ultimate in ease and speed. With tapered bores to slip easily over flanged and detachable bushings, tapered to match the rims, Ful-Grips are the adaptability champions. Installation instructions in this section show how easily Ful-Grips make it possible to retain the bushing and change the sheave to suit speed, or retain the sheave and change the bushing to fit a different shaft size.

maurey ful-grip bushing data



Bushings JA to J Inclusive

Bushings M to P inclusive

NOTE: JA & SH bushings have no set screw over keyseat

FUL-GRIP BUSHING DIMENSIONS

Bushing	Dimensions in Inches							Bolt Circle	Cap Screws Required
	A	B	D	E	F	G	L		
JA	5/16	1.375	2	11/16	5/8	1/8	1	1-21/32	3 - #10 x 1
SH	3/8	1.871	2-11/16	7/8	13/16	1/8	1-1/4	2-1/4	3 - 1/4 x 1-3/8
SDS	7/16	2.1875	3-3/16	7/8	3/4	1/8	1-5/16	2-11/16	3 - 1/4 x 1-3/8
SD	7/16	2.1875	3-3/16	1-3/8	1-1/4	1/8	1-13/16	2-11/16	3 - 1/4 x 2
SK	1/2	2.8125	3-7/8	1-3/8	1-1/4	1/8	1-7/8	3-5/16	3 - 5/16 x 2
SF	1/2	3.125	4-5/8	1-1/2	1-1/4	1/8	2	3-7/8	3 - 3/8 x 2
E	3/4	3.834	6	1-7/8	1-5/8	1/8	2-5/8	5	3 - 1/2 x 2-3/4
F	13/16	4.4375	6-5/8	2-13/16	2-1/2	3/16	3-5/8	5-5/8	3 - 9/16 x 3-1/2
J	1	5.1484	7-1/4	3-1/2	3-3/16	3/16	4-1/2	6-1/4	3 - 5/8 x 4-1/2
M	1-1/4	6.500	9	5-1/2	5-3/16	3/16	6-3/4	7-7/8	4 - 3/4 x 6-3/4
N	1-1/2	7.000	10	6-5/8	6-1/4	1/4	8-1/8	8-1/2	4 - 7/8 x 8
P	1-3/4	8.250	11-3/4	7-5/8	7-1/4	1/4	9-3/8	10	4 - 1 x 9-1/2

Certain bores in "Ful-Grip" bushings are of such a size that standard depth keyseats cannot be furnished. When a shallow keyseat is required, a rectangular key of the proper dimension is furnished with the bushing. The table to the right lists some keyseat specifications for all bushing bores. For more detail on specific bores and their corresponding keyseats please refer to the tables on the next pages.

Bushing	List Price	Stock Bore Range				Weight Lbs.
		Minimum	Maximum			
		Standard Keyseat	Standard Keyseat	Shallow Keyseat	No Keyseat	
JA	\$10.90	1/2	1	1-3/16	1-1/4	.8
SH	\$14.90	1/2	1-3/8	1-5/8	1-11/16	1.0
SDS	\$17.30	1/2	1-11/16	1-15/16	2	1.2
SD	\$20.80	1/2	1-11/16	1-15/16	2	1.5
SK	\$26.80	1/2	2-1/8	2-1/2	2-5/8	2.0
SF	\$33.00	1/2	2-1/4	2-3/4	2-15/16	3.5
E	\$69.20	7/8	2-3/4	3-7/16	3-1/2	9.0
F	\$124.00	1	3-1/4	3-15/16	*	14.0
J	\$154.00	1-7/16	3-3/4	4-7/16	*	22.0
M	\$308.00	2	4-11/16	5-1/2	*	51.0
N	\$540.00	2-1/2	5	5-7/8	*	66.0
P	\$810.00	2-15/16	5-11/16	7/8	*	122.0

* Please Consult Maurey's Engineering Department

VISIT OUR WEB SITE AT WWW.CLARKTR.COM

maurey ful-grip bushings

bore and keyseat dimensions

JA BUSHINGS	
BORE SIZES	KEY SEAT
1/2, 9/16	1/8 X 1/16
5/8, 11/16, 3/4, 13/16, 7/8	3/16 X 3/32
15/16, 1	1/4 X 1/8
1-1/16, 1-1/8, 1-3/16	1/4 X 1/16
1-1/4,	NONE
SH BUSHINGS	
BORE SIZES	KEY SEAT
1/2, 9/16	1/8 X 1/16
5/8, 11/16, 3/4, 13/16, 7/8	3/16 X 3/32
15/16, 1, 1-1/16, 1-1/8	1/4 X 1/8
1-3/16, 1-1/4	1/4 X 1/8
1-5/16, 1-3/8	5/16 X 5/32
1-7/16, 1-1/2, 1-9/16, 1-5/8	3/8 X 1/16
1-11/16,	NONE
SDS BUSHINGS	
BORE SIZES	KEY SEAT
1/2, 9/16	1/8 X 1/16
5/8, 11/16, 3/4, 13/16, 7/8	3/16 X 3/32
15/16, 1, 1-1/16, 1-1/8	1/4 X 1/8
1-3/16, 1-1/4	1/4 X 1/8
1-5/16, 1-3/8	5/16 X 5/32
1-7/16, 1-1/2, 1-9/16, 1-5/8	3/8 X 3/16
1-11/16,	3/8 X 3/16
1-3/4,	3/8 X 1/8
1-13/16,	1/2 X 1/8
1-7/8, 1-15/16	1/2 X 1/16
2	NONE
SD BUSHINGS	
BORE SIZES	KEY SEAT
1/2, 9/16	1/8 X 1/16
5/8, 11/16, 3/4, 13/16, 7/8	3/16 X 3/32
15/16, 1, 1-1/16, 1-1/8	1/4 X 1/8
1-3/16, 1-1/4	1/4 X 1/8
1-5/16, 1-3/8	5/16 X 5/32
1-7/16, 1-1/2, 1-9/16, 1-5/8	3/8 X 3/16
1-11/16,	3/8 X 3/16
1-3/4,	3/8 X 1/8
1-13/16,	1/2 X 1/8
1-7/8, 1-15/16	1/2 X 1/16
2	NONE

SK BUSHINGS	
BORE SIZES	KEY SEAT
1/2, 9/16	1/8 X 1/16
5/8, 11/16, 3/4, 13/16, 7/8	3/16 X 3/32
15/16, 1, 1-1/16, 1-1/8	1/4 X 1/8
1-3/16, 1-1/4	1/4 X 1/8
1-5/16, 1-3/8	5/16 X 5/32
1-7/16, 1-1/2, 1-9/16, 1-5/8	3/8 X 3/16
1-11/16,	3/8 X 3/16
1-3/4,	3/8 X 3/16
1-13/16, 1-7/8, 1-15/16	1/2 X 1/4
2, 2-1/16, 2-1/8	1/2 X 1/4
2-3/16, 2-1/4	1/2 X 1/8
2-5/16, 2-3/8, 2-7/16, 2-1/2	5/8 X 1/16
2-9/16, 2-5/8	NONE
SF BUSHINGS	
BORE SIZES	KEY SEAT
1/2,	1/8 X 1/16
5/8, 3/4, 13/16, 7/8	3/16 X 3/32
15/16, 1, 1-1/16, 1-1/8	1/4 X 1/8
1-3/16, 1-1/4	1/4 X 1/8
1-5/16, 1-3/8	5/16 X 5/32
1-7/16, 1-1/2, 1-9/16, 1-5/8	3/8 X 3/16
1-11/16, 1-3/4	3/8 X 3/16
1-13/16, 1-7/8, 1-15/16	1/2 X 1/4
2, 2-1/16, 2-1/8, 2-3/16, 2-1/4	1/2 X 1/4
2-5/16, 2-3/8, 2-7/16, 2-1/2	5/8 X 3/16
2-9/16, 2-5/8, 2-11/16, 2-3/4	5/8 X 1/16
2-7/8, 2-15/16	NONE
E BUSHINGS	
BORE SIZES	KEY SEAT
7/8	3/16 X 3/32
15/16, 1, 1-1/8	1/4 X 1/8
1-3/16, 1-1/4	1/4 X 1/8
1-5/16, 1-3/8	5/16 X 5/32
1-7/16, 1-1/2, 1-9/16, 1-5/8	3/8 X 3/16
1-11/16, 1-3/4	3/8 X 3/16
1-13/16, 1-7/8, 1-15/16	1/2 X 1/4
2, 2-1/16, 2-1/8, 2-3/16, 2-1/4	1/2 X 1/4
2-5/16, 2-3/8, 2-7/16, 2-1/2	5/8 X 5/16
2-9/16, 2-5/8, 2-11/16, 2-3/4	5/8 X 5/16
2-13/16, 2-7/8, 2-15/16, 3	3/4 X 1/8
3-1/8, 3-3/16, 3-1/4	3/4 X 1/8
3-5/16, 3-3/8, 3-7/16	7/8 X 1/16
3-1/2,	NONE



ful-grip bushings

bore and keyseat dimensions

F BUSHINGS	
BORE SIZES	KEY SEAT
1, 1-1/8, 1-3/16, 1-1/4	1/4 X 1/8
1-3/8	5/16 X 5/32
1-7/16, 1-1/2, 1-9/16, 1-5/8	3/8 X 3/16
1-3/4	3/8 X 3/16
1-7/8, 1-15/16	1/2 X 1/4
2, 2-1/16, 2-1/8, 2-1/4	1/2 X 1/4
2-5/16, 2-3/8, 2-7/16, 2-1/2	5/8 X 5/16
2-9/16, 2-5/8, 2-11/16, 2-3/4	5/8 X 5/16
2-13/16, 2-7/8, 2-15/16, 3	3/4 X 3/8
3-1/8, 3-3/16, 3-1/4	3/4 X 3/8
3-5/16, 3-3/8, 3-7/16, 3-1/2	7/8 X 3/16
3-5/8, 3-11/16, 3-3/4	7/8 X 3/16
3-7/8, 3-15/16	1 X 1/8
4	NONE
J BUSHINGS	
BORE SIZES	KEY SEAT
1-7/16, 1-1/2, 1-9/16	3/8 X 3/16
1-11/16, 1-3/4	3/8 X 3/16
1-7/8, 1-15/16, 2, 2-1/8, 2-1/4	1/2 X 1/4
2-5/16, 2-3/8, 2-7/16, 2-1/2	5/8 X 5/16
2-5/8, 2-11/16, 2-3/4	5/8 X 5/16
2-7/8, 2-15/16, 3	3/4 X 3/8
3-1/8, 3-3/16, 3-1/4	3/4 X 3/8
3-5/16, 3-3/8, 3-7/16, 3-1/2	7/8 X 7/16
3-5/8, 3-11/16, 3-3/4	7/8 X 7/16
3-13/16,	1 X 1/2
3-7/8, 3-15/16	1 X 3/8
4, 4-1/8, 4-3/16, 4-1/4, 4-3/8	1 X 1/8
4-7/16, 4-1/2	1 X 1/8
M BUSHINGS	
BORE SIZES	KEY SEAT
1-15/16, 2, 2-3/16, 2-1/4	1/2 X 1/4
2-3/8, 2-7/16, 2-1/2	5/8 X 5/16
2-5/8, 2-11/16, 2-3/4	5/8 X 5/16
2-7/8, 2-15/16, 3	3/4 X 3/8
3-1/8, 3-3/16, 3-1/4	3/4 X 3/8
3-3/8, 3-7/16, 3-1/2	7/8 X 7/16
3-5/8, 3-11/16, 3-3/4	7/8 X 7/16
3-7/8, 3-15/16, 4	1 X 1/2
4-1/8, 4-3/16, 4-1/4, 4-3/8	1 X 1/2
4-7/16, 4-1/2	1 X 1/2
4-11/16	1-1/4 X 5/8
4-3/4, 4-7/8, 4-15/16, 5	1-1/4 X 1/4
5-3/16, 5-1/4, 5-7/16, 5-1/2	1-1/4 X 1/4

N BUSHINGS	
BORE SIZES	KEY SEAT
2-15/16, 3	3/4 X 3/8
3-3/8, 3-7/16, 3-1/2	7/8 X 7/16
3-5/8, 3-3/4	7/8 X 7/16
3-7/8, 3-15/16, 4, 4-3/16	1 X 1/2
4-1/4, 4-3/8, 4-7/16, 4-1/2	1 X 1/2
4-5/8, 4-3/4, 4-7/8, 4-15/16	1-1/4 X 5/8
5	1-1/4 X 5/8
5-3/16, 5-7/16, 5-1/2,	1-1/4 X 1/4
5-7/8,	1-1/2 X 1/4
5-15/16,	1-1/2 X 1/8
P BUSHINGS	
BORE SIZES	KEYSEAT
2-15/16, 3-1/4	3/4 X 3/8
3-7/16, 3-1/2, 3-5/8, 3-3/4	7/8 X 7/16
3-7/8, 3-15/16, 4, 4-1/4	1 X 1/2
4-3/8, 4-7/16, 4-1/2	1 X 1/2
4-5/8, 4-11/16, 4-3/4, 4-7/8,	1-1/4 X 5/8
4-15/16, 5, 5-3/16, 5-1/4,	1-1/4 X 5/8
5-5/16, 5-3/8, 5-7/16, 5-1/2	1-1/4 X 5/8
5-3/4,	1-1/2 X 3/4
5-7/8, 5-15/16, 6, 6-1/16	1-1/2 X 1/4
6-1/4, 6-7/16, 6-1/2	1-1/2 X 1/4
6-3/4, 7	1-3/4 X 1/8

maurey ful-grip bushings

bore and keyseat dimensions

METRIC STOCK BORE INFORMATION

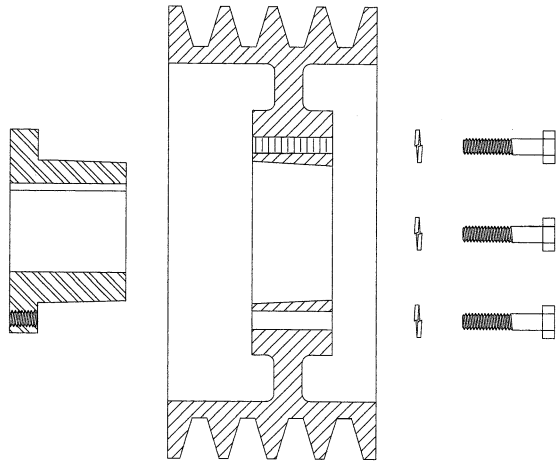
JA BUSHINGS	
BORE (MM)	KEYWAY
12	NONE
15, 17	5 X 5
19, 20, 22	6 X 6
24	8 X 6
28	8 X 5
SH BUSHINGS	
BORE (MM)	KEYWAY
19	6 X 6
24, 25, 28, 30	8 X 7
32, 35	10 X 8
SDS BUSHINGS	
BORE (MM)	KEYWAY
24, 25, 28,	8 X 7
30, 32	8 X 7
35, 38	10 X 8
40, 42	12 X 8
SD BUSHINGS	
BORE (MM)	KEYWAY
24, 25, 28, 30	8 X 7
35, 38	10 X 8
40, 42	12 X 8

SK BUSHINGS	
BORE (MM)	KEYWAY
24, 25, 28, 30	8 X 7
32, 35, 38	10 X 8
40, 42	12 X 8
45, 48, 50	14 X 9
55	16 X 10
SF BUSHINGS	
BORE (MM)	KEYWAY
28, 30	8 X 7
32, 35, 38	10 X 8
40, 42	12 X 8
45, 48, 50	14 X 9
55	16 X 10
60	18 X 11
65	18 X 8 *
E BUSHINGS	
BORE (MM)	KEYWAY
35, 38	10 X 8
40, 42	12 X 8
45, 48, 50	14 X 9
55	16 X 10
60, 65	18 X 11
70, 75	20 X 12
80	22 X 11

F BUSHINGS	
BORE (MM)	KEYWAY
45, 48, 50	14 X 9
55	16 X 10
60, 65	18 X 11
70, 75	20 X 12
80, 85	22 X 14
90	25 X 14
J BUSHINGS	
BORE (MM)	KEYWAY
50	14 X 9
55	16 X 10
60, 65	18 X 11
70, 75	20 X 12
80, 85	22 X 14
90, 95	25 X 14
100	28 X 16
M BUSHINGS	
BORE (MM)	KEYWAY
80	22 X 14
90	25 X 14
100	28 X 16
120	32 X 18

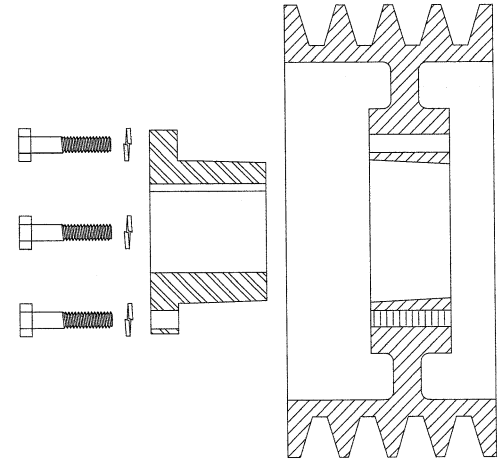
*- SHALLOW KEYSTOCK REQUIRED

The "Keyway" dimensions shown refer to the dimensions of the keystock not the keyway. The keyway is manufactured to accommodate this keystock size. This nomenclature is in accordance with metric standards.



STANDARD MOUNTING ASSEMBLY

Fig. 1



REVERSE MOUNTING ASSEMBLY

Fig. 2

INSTALLATION AND REMOVAL OF QD SHEAVES

INSTALLATION

1. Make sure the bore of the sheave and the tapered cone surface of the bushing are free of all the foreign substances such as paint, dirt, lubricants, etc. Do not use lubricants on installation.
2. Assemble bushings and sheave as shown above in Figures 1 and 2, whichever applies. With cap screws loosely inserted, the bushing remains fully expanded to assume a sliding fit on the shaft. Note: When installing bushings M thru S, locate the extra holes in the hub as far as possible from the bushing's saw cut in order to reduce the possibility of bushing flange breakage. CAUTION: Do not use lubricants on screw threads or tapered surfaces
3. With key on shaft, slide sheave assembly to its desired position with cap screw heads on outside. (Exception: Some shaft lengths may require the sheaves to be reversed with the cap screw heads to the inside - see Figure 2.)
4. Line up the sheave assembly and tighten cap screws evenly and progressively to the torque value listed in the table. Never allow the sheave to be drawn in contact with the bushing flange. There should be a gap of 1/8" to 1/4" between the sheave hub and the bushing flange. If the gap is closed, the shaft is seriously undersize.
5. Tighten the set screw to hold the key securely on the shaft during operation.

CAUTION: When mounting a "FUL-GRIP" bushing, the tightening force of the screws is multiplied many times by the wedging action of the tapered surface. This action compresses the bushing for a snug fit on the shaft. If extreme screw tightening force or lubricants are applied in mounting the "FUL-GRIP" bushing, bursting pressures will be created in the hub of the mounted sheave which may cause it to crack.

Refer to the recommended torque ratings

REMOVAL

1. Loosen and remove cap screws.
2. Insert cap screws in tapered removal holes and starting with bolt farthest from sawnut on bushing, tighten evenly and progressively until sheave is loose on bushing. If sheaves in Figure 2 are installed with cap screw heads next to motor, loosen cap screws and use a wedge between the bushing and the sheave.
3. Remove sheave and bushing

CAUTION: Excessive or unequal pressure on the jack screws can break the bushing flange

Bushing	Wrench Torque (In.-Lbs)	Wrench Length (Inches)	Wrench Pull (Pounds)
JA	60	4	15
SH	108	4	27
SDS	108	4	27
SDS	108	4	27
SK	180	6	30
SF	360	6	60
E	720	12	60
F	900	12	75
J	1620	12	135
M	2700	15	180
N	3600	15	240
P	5400	18	300



AVAILABILITY AS A STOCK PRODUCT IN SUMMER 2006!!!

Maurey will continue in its goal of offering the most comprehensive stock sheave line in the industry with our new addition of split taper sheaves and bushings. Adding this product group allows Maurey to better serve your sheave and power transmission needs. Once this product is available from stock, its specifications and technical information will be posted on our website: www.maurey.com.

Product Information:

- Part Number Examples: 2TB86, 4TB184, P1 X 1-5/8, Q1 X 2-1/8
- Stock Line of 1-4 Groove "TB" Sheaves and P1, P2, and Q1 Bushings in All Common Bore Sizes
- Higher Torque Carrying Capacity than Standard Bushing Systems.
- Bushings are Keyed to Both Sheave Hub and the Shaft to Better Handle Start-Ups.
- Bushings are Double Split, thus Insuring Better Clamp Fit on Shaft.
- Bushings Used in Many Chain Sprockets as Well
- As Always - A Highly Competitive Price
- Check Stock and Availability

USEFUL ENGINEERING FORMULAS

Horsepower

Horsepower (HP) is the rate of doing work. One HP is equal to raising 33,000 pounds one foot in one minute.

$$HP = \frac{\text{Force} \times \text{FPM}}{33,000}$$

$$HP = \frac{\text{Torque (in Inch-Pounds)} \times \text{RPM}}{63,025}$$

$$HP = \frac{\text{Torque (in Foot-Pounds)} \times \text{RPM}}{5,252}$$

Torque

Torque (T) is a turning movement or twisting effort.

$$T \text{ (in Inch-Pounds)} = \frac{63,025 \times \text{HP}}{\text{RPM}}$$

$$= \text{Force} \times \text{Lever Arm (in Inches)}$$

$$T \text{ (in Foot-Pounds)} = \frac{5,252 \times \text{HP}}{\text{RPM}}$$

$$= \text{Force} \times \text{Lever Arm (in Feet)}$$

Belt Speed

$$\text{FPM} = \text{Diameter (in.)} \times \text{RPM} \times .262$$

Revolutions Per Minute

$$\text{RPM} = \frac{\text{FPM}}{.262 \times \text{Diameter (in.)}}$$

Belt Drive Tensions

The effective tension (T_e) is the difference between the tight side tension (T_1) and the slack side tension (T_2). It is the force available for transmitting the load.

$$T_e = (T_1 - T_2) = \frac{\text{HP} \times 33,000}{\text{FPM}}$$

Belt Length

To determine the belt length to use for a V-belt drive when the center distance and sheave diameters are known:

$$L = 2C + 1.57(D + d) + \frac{(D - d)^2}{4C}$$

Flywheel Formulas

The weight of a cast iron rim (lbs.) = mean rim diameter (inches) \times rim thickness (inches) \times width of rim (inches) \times .82.

The flywheel effect, commonly referred to as WR^2 or WK^2 can be figured for any rim in lb. ft.²

$$WR^2 = \text{Weight of rim (lbs.)} \times \text{mean radius (feet)}^2$$

$$T \text{ (in Inch-Pounds)} = \frac{.039 (N_2 - N_1) (WR^2)}{t}$$

V-Belt Drive Shaft Loads

To calculate the shaft loading resulting from the minimum belt tensions required to transmit a given torque:

$$\text{Minimum Belt Pull } (T_1 + T_2) = \left(\frac{2.5 - A_c}{A_c} \right) \times \left(\frac{33,000 \times \text{Design HP}}{\text{FPM}} \right)$$

The maximum belt pull will approximate 1.5 times the above value depending upon belt tensions.

Center Distance

To determine the actual center distance (C) on which a given V-belt drive will operate:

$$\text{compute } A = L - 1.57(D + d)$$

$$C = \frac{[A - h(D - d)]}{2}$$

The "h" factors are listed in the following table:

Center Distance Factor, "h"

$\frac{D-d}{A}$	h	$\frac{D-d}{A}$	h	$\frac{D-d}{A}$	h	$\frac{D-d}{A}$	h
0.00	0.00	0.16	0.08	0.30	0.16	0.43	0.24
0.02	0.01	0.18	0.09	0.32	0.17	0.44	0.25
0.04	0.02	0.20	0.10	0.34	0.18	0.46	0.26
0.06	0.03	0.21	0.11	0.35	0.19	0.47	0.27
0.08	0.04	0.23	0.12	0.37	0.20	0.48	0.28
0.10	0.05	0.25	0.13	0.39	0.21	0.50	0.29
0.12	0.06	0.27	0.14	0.40	0.22	0.51	0.30
0.14	0.07	0.29	0.15	0.41	0.23		



A-B stock sheave dimensions conventional v-belt drives

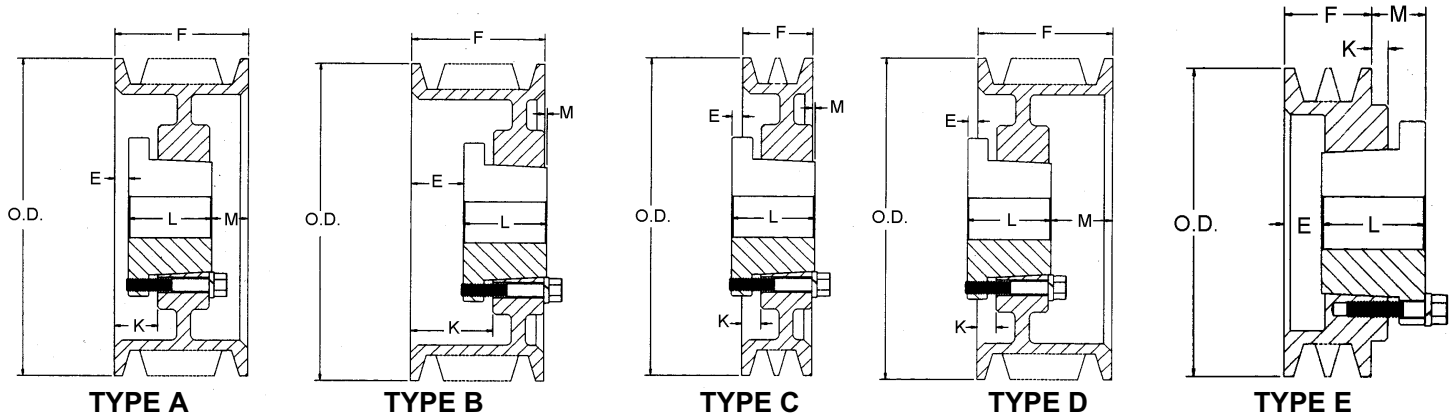


Figure Following Letter in Column Headed "TYPE" in Table Below Indicates Sheave Construction
1 - Solid, No Web. 2 - Web. 3 - Arms

O.D.	DATUM DIAMETER		1 GROOVE									2 GROOVE								
	A	B	PART NUMBER	LIST** PRICE	F = 7/8 & 1							PART NUMBER	LIST** PRICE	F = 1-3/4						
					E*	TYPE	BUSH.	K	L	M*	WT. LBS			E*	TYPE	BUSH.	K	L	M*	WT.
3.75	3.0	3.4	1B3.4	\$ 26.00	7/16	D1	SH	1/16	1-1/4	1/16	2	2B3.4	\$ 38.00	1	E1	SH	0	1-1/4	1/2	3
3.95	3.2	3.6	1B3.6	\$ 27.00	7/16	D1	SH	1/16	1-1/4	1/16	2	2B3.6	\$ 40.00	5/16	D1	SH	3/16	1-1/4	13/16	4
4.15	3.4	3.8	1B3.8	\$ 28.00	7/16	D1	SH	1/16	1-1/4	1/16	3	2B3.8	\$ 42.00	5/16	D1	SH	3/16	1-1/4	13/16	4
4.35	3.6	4.0	1B4.0	\$ 29.00	3/16	C1	SH	5/16	1-1/4	3/16	3	2B4.0	\$ 44.00	3/16	A1	SH	11/16	1-1/4	5/16	5
4.55	3.8	4.2	1B4.2	\$ 30.00	3/16	C1	SH	5/16	1-1/4	3/16	3	2B4.2	\$ 46.00	3/16	A1	SH	11/16	1-1/4	5/16	5
4.75	4.0	4.4	1B4.4	\$ 31.00	3/16	C1	SH	5/16	1-1/4	3/16	3	2B4.4	\$ 48.00	3/16	A1	SH	11/16	1-1/4	5/16	5
4.95	4.2	4.6	1B4.6	\$ 32.00	1/4	C1	SDS	5/16	1-5/16	3/16	3	2B4.6	\$ 50.00	1/8	A1	SDS	11/16	1-5/16	5/16	5
5.15	4.4	4.8	1B4.8	\$ 33.00	1/4	C1	SDS	5/16	1-5/16	3/16	4	2B4.8	\$ 52.00	1/8	A1	SDS	11/16	1-5/16	5/16	6
5.35	4.6	5.0	1B5.0	\$ 34.00	1/4	C1	SDS	5/16	1-5/16	3/16	4	2B5.0	\$ 54.00	1/8	A1	SDS	11/16	1-5/16	5/16	6
5.55	4.8	5.2	1B5.2	\$ 35.00	1/4	C1	SDS	5/16	1-5/16	3/16	4	2B5.2	\$ 56.00	1/8	A1	SDS	11/16	1-5/16	5/16	7
5.75	5.0	5.4	1B5.4	\$ 36.00	1/4	C2	SDS	5/16	1-5/16	3/16	4	2B5.4	\$ 58.00	1/8	A1	SDS	11/16	1-5/16	5/16	7
5.95	5.2	5.6	1B5.6	\$ 37.00	1/4	C2	SDS	5/16	1-5/16	3/16	4	2B5.6	\$ 60.00	1/8	A1	SDS	11/16	1-5/16	5/16	8
6.15	5.4	5.8	1B5.8	\$ 38.00	1/4	C2	SDS	5/16	1-5/16	3/16	5	2B5.8	\$ 62.00	1/8	A1	SDS	11/16	1-5/16	5/16	8
6.35	5.6	6.0	1B6.0	\$ 40.00	1/4	C2	SDS	5/16	1-5/16	3/16	5	2B6.0	\$ 64.00	1/8	A2	SDS	11/16	1-5/16	5/16	8
6.55	5.8	6.2	1B6.2	\$ 42.00	1/4	C2	SDS	5/16	1-5/16	3/16	5	2B6.2	\$ 66.00	1/8	A2	SDS	11/16	1-5/16	5/16	8
6.75	6.0	6.4	1B6.4	\$ 44.00	1/4	C2	SDS	5/16	1-5/16	3/16	5	2B6.4	\$ 68.00	1/8	A2	SDS	11/16	1-5/16	5/16	8
6.95	6.2	6.6	1B6.6	\$ 48.00	1/4	C2	SDS	5/16	1-5/16	3/16	5	2B6.6	\$ 69.00	1/8	A2	SDS	11/16	1-5/16	5/16	8
7.15	6.4	6.8	1B6.8	\$ 50.00	1/4	C2	SDS	5/16	1-5/16	3/16	5	2B6.8	\$ 70.00	1/8	A2	SDS	11/16	1-5/16	5/16	9
7.35	6.6	7.0	1B7.0	\$ 52.00	7/16	D3	SDS	1/8	1-5/16	1/8	5	2B7.0	\$ 72.00	3/16	D2	SK	7/16	1-7/8	1/16	11
7.75	6.8	7.4	1B7.4	\$ 56.00	7/16	D3	SDS	1/8	1-5/16	1/8	5	2B7.4	\$ 73.00	3/16	D2	SK	7/16	1-7/8	1/16	12
8.35	7.6	8.0	1B8.0	\$ 58.00	7/16	D3	SDS	1/8	1-5/16	1/8	5	2B8.0	\$ 74.00	3/16	D2	SK	7/16	1-7/8	1/16	12
8.95	8.2	8.6	1B8.6	\$ 62.00	7/16	D3	SDS	1/8	1-5/16	1/8	5	2B8.6	\$ 76.00	3/16	D3	SK	7/16	1-7/8	1/16	12
9.75	9.0	9.4	1B9.4	\$ 64.00	7/16	D3	SDS	1/8	1-5/16	1/8	6	2B9.4	\$ 78.00	3/16	D3	SK	7/16	1-7/8	1/16	13
11.35	10.6	11.0	1B11.0	\$ 76.00	7/16	D3	SDS	1/8	1-5/16	1/8	9	2B11.0	\$ 92.00	3/16	D3	SK	7/16	1-7/8	1/16	15
12.75	12.0	12.4	1B12.4	\$ 90.00	7/16	D3	SDS	1/8	1-5/16	1/8	9	2B12.4	\$ 100.00	3/16	D3	SK	7/16	1-7/8	1/16	17
13.95	13.2	13.6	1B13.6	\$ 96.00	7/16	D3	SDS	1/8	1-5/16	1/8	11	2B13.6	\$ 120.00	3/16	D3	SK	7/16	1-7/8	1/16	20
15.75	15.0	15.4	1B15.4	\$ 116.00	1/2	C3	SK	1/8	1-7/8	3/8	13	2B15.4	\$ 168.00	3/16	D3	SK	7/16	1-7/8	1/16	22
16.35	15.6	16.0	1B16.0	\$ 136.00	1/2	C3	SK	1/8	1-7/8	3/8	16	2B16.0	\$ 178.00	3/16	D3	SK	7/16	1-7/8	1/16	25
18.75	18.0	18.4	1B18.4	\$ 156.00	1/2	C3	SK	1/8	1-7/8	3/8	19	2B18.4	\$ 224.00	3/16	D3	SK	7/16	1-7/8	1/16	29
20.35	19.6	20.0	1B20.0	\$ 230.00	1/2	C3	SK	1/8	1-7/8	3/8	25	2B20.0	\$ 260.00	1/4	C3	SF	1/8	2	0	35
25.35	24.6	25.0										2B25.0	\$ 396.00	1/4	C3	SF	1/8	2	0	55
30.35	29.6	30.0										2B30.0	\$ 440.00	1/4	C3	SF	1/8	2	0	75
38.35	37.6	38.0										2B38.0	\$ 840.00	1/4	C3	SF	1/8	2	0	95

*E & M Dimension varies according to shaft tolerance All Dimensions in Inches Weights are approximate pounds including bushing
**List Prices shown are for sheave only. Bushing list prices are shown at the front of this section.



A-B stock sheave dimensions conventional v-belt drives

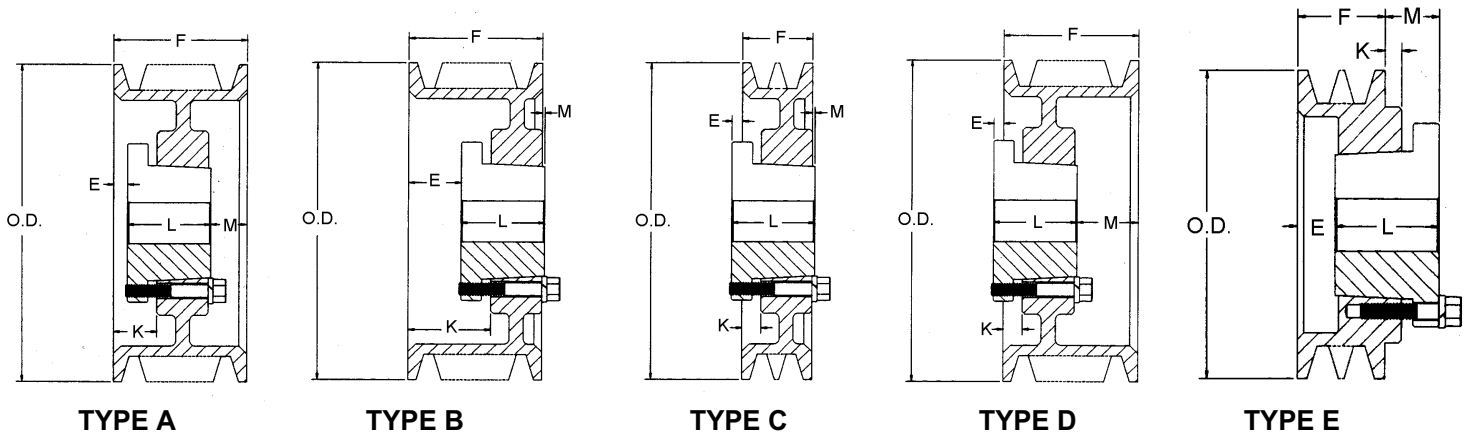


Figure Following Letter in Column Headed "TYPE" in Table Below Indicates Sheave Construction
1 - Solid, No Web. 2 - Web. 3 - Arms

O.D.	DATUM DIAMETER		3 GROOVE										4 GROOVE							
	A	B	PART NUMBER	LIST** PRICE	F = 2-1/2							PART NUMBER	LIST** PRICE	F = 3-1/4						
					E*	TYPE	BUSH.	K	L	M*	WT. LBS			E*	TYPE	BUSH.	K	L	M*	WT.
3.75	3.0	3.4	3B3.4	\$ 44.00	1-3/4	E1	SH	0	1-1/4	1/2	4	4B3.4	\$ 64.00	2-5/16	E1	SD	5/16	1-13/16	7/8	6
3.95	3.2	3.6	3B3.6	\$ 46.00	5/16	D1	SH	3/16	1-1/4	1-9/16	5	4B3.6	\$ 66.00	2-5/16	E1	SD	5/16	1-13/16	7/8	7
4.15	3.4	3.8	3B3.8	\$ 48.00	5/16	D1	SH	3/16	1-1/4	1-9/16	5	4B3.8	\$ 68.00	2-5/16	E1	SD	5/16	1-13/16	7/8	7
4.35	3.6	4.0	3B4.0	\$ 50.00	9/16	A1	SH	1-1/16	1-1/4	11/16	6	4B4.0	\$ 70.00	2	E1	SD	0	1-13/16	9/16	8
4.55	3.8	4.2	3B4.2	\$ 52.00	9/16	A1	SH	1-1/16	1-1/4	11/16	6	4B4.2	\$ 72.00	2	E1	SD	0	1-13/16	9/16	8
4.75	4.0	4.4	3B4.4	\$ 54.00	9/16	A1	SH	1-1/16	1-1/4	11/16	6	4B4.4	\$ 74.00	2	E1	SD	0	1-13/16	9/16	8
4.95	4.2	4.6	3B4.6	\$ 56.00	1/2	A1	SD	1-1/16	1-13/16	3/16	6	4B4.6	\$ 76.00	3/4	A1	SD	1-5/16	1-13/16	11/16	8
5.15	4.4	4.8	3B4.8	\$ 58.00	1/2	A1	SD	1-1/16	1-13/16	3/16	7	4B4.8	\$ 78.00	3/4	A1	SD	1-5/16	1-13/16	11/16	8
5.35	4.6	5.0	3B5.0	\$ 60.00	1/2	A1	SD	1-1/16	1-13/16	3/16	8	4B5.0	\$ 80.00	3/4	A1	SD	1-5/16	1-13/16	11/16	9
5.55	4.8	5.2	3B5.2	\$ 62.00	1/2	A1	SD	1-1/16	1-13/16	3/16	8	4B5.2	\$ 82.00	3/4	A1	SD	1-5/16	1-13/16	11/16	9
5.75	5.0	5.4	3B5.4	\$ 64.00	1/2	A1	SD	1-1/16	1-13/16	3/16	9	4B5.4	\$ 84.00	3/4	A1	SD	1-5/16	1-13/16	11/16	10
5.95	5.2	5.6	3B5.6	\$ 66.00	1/2	A1	SD	1-1/16	1-13/16	3/16	9	4B5.6	\$ 86.00	3/4	A1	SD	1-5/16	1-13/16	11/16	11
6.15	5.4	5.8	3B5.8	\$ 68.00	1/2	A1	SD	1-1/16	1-13/16	3/16	10	4B5.8	\$ 88.00	3/4	A1	SD	1-5/16	1-13/16	11/16	11
6.35	5.6	6.0	3B6.0	\$ 70.00	1/2	A2	SD	1-1/16	1-13/16	3/16	10	4B6.0	\$ 90.00	3/4	A2	SD	1-5/16	1-13/16	11/16	12
6.55	5.8	6.2	3B6.2	\$ 72.00	1/2	A2	SD	1-1/16	1-13/16	3/16	10	4B6.2	\$ 92.00	3/4	A2	SD	1-5/16	1-13/16	11/16	12
6.75	6.0	6.4	3B6.4	\$ 76.00	1/2	A2	SD	1-1/16	1-13/16	3/16	11	4B6.4	\$ 96.00	3/4	A2	SD	1-5/16	1-13/16	11/16	12
6.95	6.2	6.6	3B6.6	\$ 78.00	1/2	A2	SD	1-1/16	1-13/16	3/16	11	4B6.6	\$ 100.00	3/4	A2	SD	1-5/16	1-13/16	11/16	13
7.15	6.4	6.8	3B6.8	\$ 80.00	1/2	A2	SD	1-1/16	1-13/16	3/16	12	4B6.8	\$ 104.00	3/4	A2	SD	1-5/16	1-13/16	11/16	13
7.35	6.6	7.0	3B7.0	\$ 82.00	1/16	A2	SK	11/16	1-7/8	9/16	13	4B7.0	\$ 108.00	3/8	A2	SK	1	1-7/8	1	15
7.75	6.8	7.4	3B7.4	\$ 84.00	1/16	A2	SK	11/16	1-7/8	9/16	14	4B7.4	\$ 112.00	3/8	A2	SK	1	1-7/8	1	17
8.35	7.6	8.0	3B8.0	\$ 88.00	1/16	A2	SK	11/16	1-7/8	9/16	14	4B8.0	\$ 116.00	3/8	A2	SK	1	1-7/8	1	17
8.95	8.2	8.6	3B8.6	\$ 96.00	1/16	A3	SK	11/16	1-7/8	9/16	15	4B8.6	\$ 124.00	3/8	A3	SK	1	1-7/8	1	17
9.75	9.0	9.4	3B9.4	\$ 104.00	1/16	A3	SK	11/16	1-7/8	9/16	16	4B9.4	\$ 138.00	3/8	A3	SK	1	1-7/8	1	18
11.35	10.6	11.0	3B11.0	\$ 124.00	1/16	A3	SK	11/16	1-7/8	9/16	20	4B11.0	\$ 152.00	3/8	A3	SK	1	1-7/8	1	21
12.75	12.0	12.4	3B12.4	\$ 144.00	1/16	A3	SK	11/16	1-7/8	9/16	20	4B12.4	\$ 170.00	3/8	A3	SK	1	1-7/8	1	25
13.95	13.2	13.6	3B13.6	\$ 156.00	1/16	A3	SK	11/16	1-7/8	9/16	24	4B13.6	\$ 204.00	3/8	A3	SK	1	1-7/8	1	27
15.75	15.0	15.4	3B15.4	\$ 200.00	1/16	A3	SK	11/16	1-7/8	9/16	29	4B15.4	\$ 224.00	3/8	A3	SF	1	2	7/8	42
16.35	15.6	16.0	3B16.0	\$ 212.00	1/16	A3	SK	11/16	1-7/8	9/16	32	4B16.0	\$ 244.00	3/8	A3	SF	1	2	7/8	41
18.75	18.0	18.4	3B18.4	\$ 244.00	1/16	A3	SK	11/16	1-7/8	9/16	35	4B18.4	\$ 260.00	3/8	A3	SF	1	2	7/8	41
20.35	19.6	20.0	3B20.0	\$ 324.00	0	A3	SF	5/8	2	1/2	44	4B20.0	\$ 364.00	3/8	A3	SF	1	2	7/8	55
25.35	24.6	25.0	3B25.0	\$ 440.00	0	A3	SF	5/8	2	1/2	67	4B25.0	\$ 480.00	1/8	A3	E	1	2-5/8	1/2	90
30.35	29.6	30.0	3B30.0	\$ 500.00	0	A3	SF	5/8	2	1/2	81	4B30.0	\$ 560.00	1/8	A3	E	1	2-5/8	1/2	104
38.35	37.6	38.0	3B38.0	\$ 880.00	1/4	D3	E	5/8	2-5/8	1/2	122	4B38.0	\$ 980.00	1/8	A3	E	1	2-5/8	1/2	145

*E & M Dimension varies according to shaft tolerance

All Dimensions in Inches

Weights are approximate pounds including bushing

**List Prices shown are for sheave only. Bushing list prices are shown at the front of this section.



A-B stock sheave dimensions conventional v-belt drives

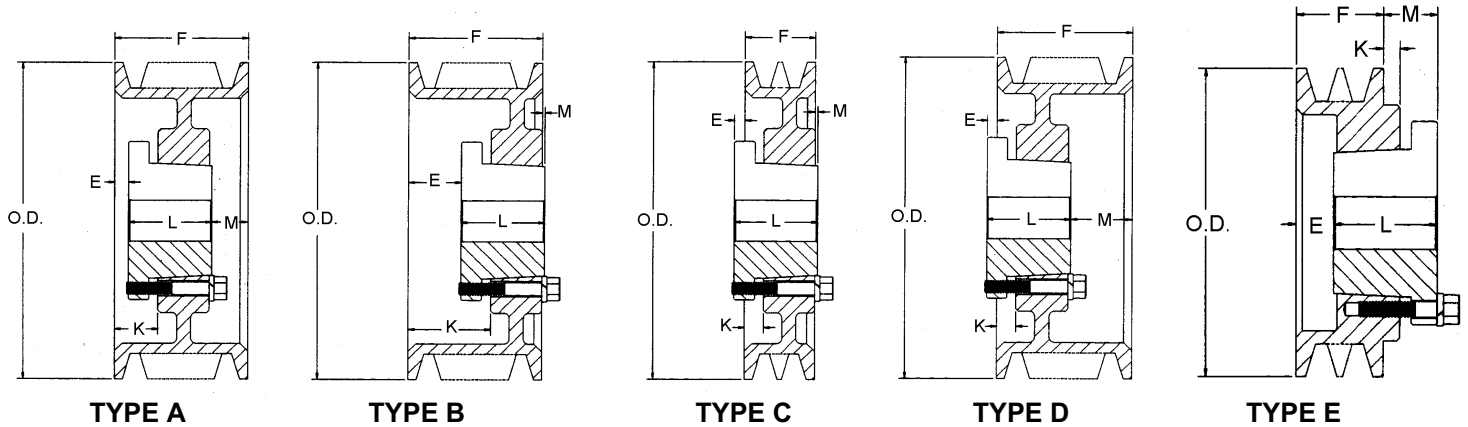


Figure Following Letter in Column Headed "TYPE" in Table Below Indicates Sheave Construction
1 - Solid, No Web. 2 - Web. 3 - Arms

O.D.	DATUM DIAMETER		5 GROOVE									6 GROOVE								
	A	B	PART NUMBER	LIST** PRICE	F = 4						WT. LBS	PART NUMBER	LIST** PRICE	F = 4-3/4						WT. LBS
					E*	TYPE	BUSH.	K	L	M*				E*	TYPE	BUSH.	K	L	M*	
3.75	3.0	3.4	5B3.4	\$ 74.00	3-1/16	E1	SD	5/16	1-13/16	7/8	6	6B3.4	\$ 98.00	1-13/16	E1	SD	5/16	1-13/16	7/8	6
3.95	3.2	3.6	5B3.6	\$ 76.00	3-1/16	E1	SD	5/16	1-13/16	7/8	7	6B3.6	\$ 100.00	1-13/16	E1	SD	5/16	1-13/16	7/8	7
4.15	3.4	3.8	5B3.8	\$ 78.00	3-1/16	E1	SD	5/16	1-13/16	7/8	8	6B3.8	\$ 102.00	1-13/16	E1	SD	5/16	1-13/16	7/8	7
4.35	3.6	4.0	5B4.0	\$ 80.00	2-3/4	E1	SD	0	1-13/16	9/16	8	6B4.0	\$ 104.00	3-1/2	E1	SD	0	1-13/16	9/16	8
4.55	3.8	4.2	5B4.2	\$ 82.00	2-3/4	E1	SD	0	1-13/16	9/16	9	6B4.2	\$ 106.00	3-1/2	E1	SD	0	1-13/16	9/16	9
4.75	4.0	4.4	5B4.4	\$ 84.00	2-3/4	E1	SD	0	1-13/16	9/16	9	6B4.4	\$ 110.00	3-1/2	E1	SD	0	1-13/16	9/16	10
4.95	4.2	4.6	5B4.6	\$ 86.00	3/4	A1	SD	1-5/16	1-13/16	1-7/16	9	6B4.6	\$ 112.00	3/4	A1	SD	1-5/16	1-13/16	2-3/16	10
5.15	4.4	4.8	5B4.8	\$ 90.00	3/4	A1	SD	1-5/16	1-13/16	1-7/16	9	6B4.8	\$ 114.00	3/4	A1	SD	1-5/16	1-13/16	2-3/16	11
5.35	4.6	5.0	5B5.0	\$ 92.00	3/4	A1	SD	1-5/16	1-13/16	1-7/16	10	6B5.0	\$ 116.00	3/4	A1	SD	1-5/16	1-13/16	2-3/16	12
5.55	4.8	5.2	5B5.2	\$ 94.00	3/4	A1	SD	1-5/16	1-13/16	1-7/16	11	6B5.2	\$ 118.00	3/4	A1	SD	1-5/16	1-13/16	2-3/16	13
5.75	5.0	5.4	5B5.4	\$ 96.00	11/16	A1	SK	1-5/16	1-7/8	1-7/16	13	6B5.4	\$ 120.00	11/16	A1	SK	1-5/16	1-7/8	2-3/16	15
5.95	5.2	5.6	5B5.6	\$ 98.00	11/16	A1	SK	1-5/16	1-7/8	1-7/16	14	6B5.6	\$ 122.00	11/16	A1	SK	1-5/16	1-7/8	2-3/16	16
6.15	5.4	5.8	5B5.8	\$ 100.00	11/16	A1	SK	1-5/16	1-7/8	1-7/16	15	6B5.8	\$ 124.00	11/16	A1	SK	1-5/16	1-7/8	2-3/16	16
6.35	5.6	6.0	5B6.0	\$ 106.00	11/16	A1	SK	1-5/16	1-7/8	1-7/16	12	6B6.0	\$ 126.00	11/16	A1	SK	1-5/16	1-7/8	2-3/16	13
6.55	5.8	6.2	5B6.2	\$ 112.00	11/16	A1	SK	1-5/16	1-7/8	1-7/16	13	6B6.2	\$ 130.00	11/16	A1	SK	1-5/16	1-7/8	2-3/16	15
6.75	6.0	6.4	5B6.4	\$ 116.00	11/16	A1	SK	1-5/16	1-7/8	1-7/16	14	6B6.4	\$ 134.00	11/16	A1	SK	1-5/16	1-7/8	2-3/16	16
6.95	6.2	6.6	5B6.6	\$ 120.00	11/16	A1	SK	1-5/16	1-7/8	1-7/16	14	6B6.6	\$ 138.00	11/16	A1	SK	1-5/16	1-7/8	2-3/16	16
7.15	6.4	6.8	5B6.8	\$ 124.00	11/16	A1	SK	1-5/16	1-7/8	1-7/16	16	6B6.8	\$ 142.00	11/16	A1	SK	1-5/16	1-7/8	2-3/16	17
7.35	6.6	7.0	5B7.0	\$ 132.00	11/16	A1	SF	1-5/16	2	1-5/16	18	6B7.0	\$ 150.00	1-1/16	A1	SF	1-11/16	2	1-11/16	19
7.75	6.8	7.4	5B7.4	\$ 150.00	11/16	A1	SF	1-5/16	2	1-5/16	19	6B7.4	\$ 204.00	1-1/16	A1	SF	1-11/16	2	1-11/16	20
8.35	7.6	8.0	5B8.0	\$ 154.00	11/16	A2	SF	1-5/16	2	1-5/16	19	6B8.0	\$ 208.00	1-1/16	A2	SF	1-11/16	2	1-11/16	20
8.95	8.2	8.6	5B8.6	\$ 164.00	11/16	A3	SF	1-5/16	2	1-5/16	20	6B8.6	\$ 220.00	1-1/16	A3	SF	1-11/16	2	1-11/16	22
9.75	9.0	9.4	5B9.4	\$ 172.00	11/16	A3	SF	1-5/16	2	1-5/16	23	6B9.4	\$ 230.00	1-1/16	A3	SF	1-11/16	2	1-11/16	25
11.35	10.6	11.0	5B11.0	\$ 194.00	11/16	A3	SF	1-5/16	2	1-5/16	25	6B11.0	\$ 248.00	1-1/16	A3	SF	1-11/16	2	1-11/16	29
12.75	12.0	12.4	5B12.4	\$ 208.00	11/16	A3	SF	1-5/16	2	1-5/16	29	6B12.4	\$ 276.00	1-1/16	A3	SF	1-11/16	2	1-11/16	33
13.95	13.2	13.6	5B13.6	\$ 240.00	11/16	A3	SF	1-5/16	2	1-5/16	35	6B13.6	\$ 280.00	1-1/16	A3	SF	1-11/16	2	1-11/16	39
15.75	15.0	15.4	5B15.4	\$ 268.00	11/16	A3	SF	1-5/16	2	1-5/16	44	6B15.4	\$ 300.00	1-1/16	A3	SF	1-11/16	2	1-11/16	45
16.35	15.6	16.0	5B16.0	\$ 294.00	11/16	A3	SF	1-5/16	2	1-5/16	45	6B16.0	\$ 328.00	1-1/16	A3	SF	1-11/16	2	1-11/16	53
18.75	18.0	18.4	5B18.4	\$ 316.00	11/16	A3	SF	1-5/16	2	1-5/16	47	6B18.4	\$ 348.00	1-1/16	A3	SF	1-11/16	2	1-11/16	61
20.35	19.6	20.0	5B20.0	\$ 390.00	3/8	A3	E	1-1/4	2-5/8	1	68	6B20.0	\$ 464.00	1/2	A3	E	1-3/8	2	1-5/8	78
25.35	24.6	25.0	5B25.0	\$ 500.00	3/8	A3	E	1-1/4	2-5/8	1	98	6B25.0	\$ 580.00	1/2	A3	E	1-3/8	2	1-5/8	101
30.35	29.6	30.0	5B30.0	\$ 696.00	3/8	A3	E	1-1/4	2-5/8	1	123	6B30.0	\$ 780.00	1/2	A3	E	1-3/8	2	1-5/8	131
38.35	37.6	38.0	5B38.0	\$ 1,080.00	3/8	A3	E	1-1/4	2-5/8	1	163	6B38.0	\$ 1,120.00	1/2	A3	E	1-3/8	2-5/8	1-5/8	177

*E & M Dimension varies according to shaft tolerance

All Dimensions in Inches

Weights are approximate pounds including bushing

**List Prices shown are for sheave only. Bushing list prices are shown at the front of this section.

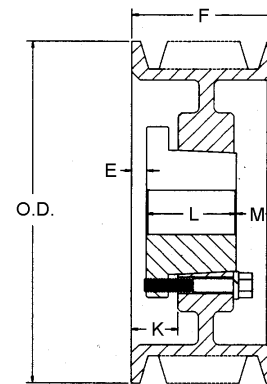


A-B stock sheave dimensions conventional v-belt drives

Figure Following Letter in Column Headed "TYPE" in Table Below Indicates Sheave Construction
1 - Solid, No Web. 2 - Web. 3 - Arms

O.D.	DATUM DIAMETER		7 GROOVE									8 GROOVE								
	A BELTS	B BELTS	PART NUMBER	LIST** PRICE	F = 5-1/2						PART NUMBER	LIST** PRICE	F = 6-1/4							
					E*	TYPE	BUSH.	K	L	M*			WT. LBS	E*	TYPE	BUSH.	K	L	M*	WT. LBS
5.75	5.0	5.4	7B5.4	\$ 180.00	1-3/32	A1	SK	1-13/16	1-7/8	2-17/32	15	8B5.4	\$ 180.00	1-3/32	A1	SK	1-13/16	1-7/8	3-9/32	16
5.95	5.2	5.6	7B5.6	\$ 184.00	1-3/32	A1	SK	1-13/16	1-7/8	2-17/32	16	8B5.6	\$ 184.00	1-3/32	A1	SK	1-13/16	1-7/8	3-9/32	21
6.15	5.4	5.8	7B5.8	\$ 188.00	1-3/32	A1	SK	1-13/16	1-7/8	2-17/32	17	8B5.8	\$ 188.00	1-3/32	A1	SK	1-13/16	1-7/8	3-9/32	19
6.35	5.6	6.0	7B6.0	\$ 192.00	1-1/8	A1	SF	1-13/16	2	2-3/8	18	8B6.0	\$ 192.00	1-1/8	A1	SF	1-13/16	2	3-1/8	20
6.55	5.8	6.2	7B6.2	\$ 196.00	1-1/8	A1	SF	1-13/16	2	2-3/8	20	8B6.2	\$ 196.00	1-3/16	A1	SF	1-13/16	2	3-1/8	22
6.75	6.0	6.4	7B6.4	\$ 200.00	1-1/8	A1	SF	1-13/16	2	2-3/8	20	8B6.4	\$ 200.00	1-3/16	A1	SF	1-13/16	2	3-1/8	22
6.95	6.2	6.6	7B6.6	\$ 208.00	1-1/8	A1	SF	1-13/16	2	2-3/8	21	8B6.6	\$ 208.00	1-3/16	A1	SF	1-13/16	2	3-1/8	23
7.15	6.4	6.8	7B6.8	\$ 212.00	1-1/8	A1	SF	1-13/16	2	2-3/8	23	8B6.8	\$ 212.00	1-3/16	A1	SF	1-13/16	2	3-1/8	24
7.35	6.6	7.0	7B7.0	\$ 260.00	1-1/8	A2	SF	1-13/16	2	2-3/8	24	8B7.0	\$ 260.00	1-3/16	A2	SF	1-13/16	2	3-1/8	26
7.75	6.8	7.4	7B7.4	\$ 284.00	1-1/8	A2	SF	1-13/16	2	2-3/8	26	8B7.4	\$ 284.00	1-3/16	A2	SF	1-13/16	2	3-1/8	28
8.95	8.2	8.6	7B8.6	\$ 292.00	1-3/32	A1	E	2	2-5/8	1-25/32	38	8B8.6	\$ 292.00	1-15/32	A1	E	2-3/8	2-5/8	2-5/32	41
9.75	9.0	9.4	7B9.4	\$ 300.00	1-3/32	A2	E	2	2-5/8	1-25/32	40	8B9.4	\$ 300.00	1-15/32	A2	E	2-3/8	2-5/8	2-5/32	42
11.35	10.6	11.0	7B11.0	\$ 356.00	1-3/32	A2	E	2	2-5/8	1-25/32	49	8B11.0	\$ 356.00	1-15/32	A2	E	2-3/8	2-5/8	2-5/32	52
12.75	12.0	12.4	7B12.4	\$ 372.00	1-3/32	A2	E	2	2-5/8	1-25/32	57	8B12.4	\$ 372.00	1-15/32	A2	E	2-3/8	2-5/8	2-5/32	60
13.95	13.2	13.6	7B13.6	\$ 452.00	1-3/32	A3	E	2	2-5/8	1-25/32	56	8B13.6	\$ 452.00	1-15/32	A3	E	2-3/8	2-5/8	2-5/32	60
15.75	15.0	15.4	7B15.4	\$ 500.00	1-3/32	A3	E	2	2-5/8	1-25/32	67	8B15.4	\$ 500.00	1-15/32	A3	E	2-3/8	2-5/8	2-5/32	71
16.35	15.6	16.0	7B16.0	\$ 572.00	1-3/32	A3	E	1-5/16	2-5/8	1-25/32	71	8B16.0	\$ 572.00	1-15/32	A3	E	2-3/8	2-5/8	2-5/32	74
18.75	18.0	18.4	7B18.4	\$ 636.00	1/4	A3	F	1-5/16	3-5/8	1-5/8	103	8B18.4	\$ 636.00	1/4	A3	F	1-5/16	3-5/8	2-3/8	112
20.35	19.6	20.0	7B20.0	\$ 692.00	1/4	A3	F	1-5/16	3-5/8	1-5/8	106	8B20.0	\$ 690.00	1/4	A3	F	1-5/16	3-5/8	2-3/8	113
25.35	24.6	25.0	7B25.0	\$ 880.00	1/4	A3	F	1-5/16	3-5/8	1-5/8	137	8B25.0	\$ 880.00	1/4	A3	F	1-5/16	3-5/8	2-3/8	146
30.35	29.6	30.0	7B30.0	\$1,260.00	1/4	A3	F	1-5/16	3-5/8	1-5/8	172	8B30.0	\$1,260.00	1/4	A3	F	1-5/16	3-5/8	2-3/8	183
38.35	37.6	38.0	7B38.0	\$1,740.00	1/4	A3	F	1-5/16	3-5/8	1-5/8	243	8B38.0	\$1,740.00	1/4	A3	F	1-5/16	3-5/8	2-3/8	247

O.D.	DATUM DIAMETER		10 GROOVE								
	A BELTS	B BELTS	PART NUMBER	LIST** PRICE	F = 7-3/4						WT. LBS
					E*	TYPE	BUSH.	K	L	M*	
5.75	5.0	5.4	10B5.4	\$ 280.00	1-27/32	A1	SK	2-9/16	1-7/8	4-1/32	19
5.95	5.2	5.6	10B5.6	\$ 288.00	1-27/32	A1	SK	2-9/16	1-7/8	4-1/32	21
6.15	5.4	5.8	10B5.8	\$ 296.00	1-27/32	A1	SK	2-9/16	1-7/8	4-1/32	22
6.35	5.6	6.0	10B6.0	\$ 304.00	1-7/8	A1	SF	2-9/16	2	3-7/8	23
6.55	5.8	6.2	10B6.2	\$ 312.00	1-7/8	A1	SF	2-9/16	2	3-7/8	25
6.75	6.0	6.4	10B6.4	\$ 320.00	1-7/8	A1	SF	2-9/16	2	3-7/8	26
6.95	6.2	6.6	10B6.6	\$ 332.00	1-7/8	A1	SF	2-9/16	2	3-7/8	27
7.15	6.4	6.8	10B6.8	\$ 344.00	1-7/8	A1	SF	2-9/16	2	3-7/8	28
7.35	6.6	7.0	10B7.0	\$ 352.00	1-7/8	A2	SF	2-9/16	2	3-7/8	30
7.75	6.8	7.4	10B7.4	\$ 360.00	1-7/8	A2	SF	2-9/16	2	3-7/8	32
8.95	8.2	8.6	10B8.6	\$ 372.00	2-7/32	A1	E	3-1/8	2-5/8	2-29/32	46
9.75	9.0	9.4	10B9.4	\$ 420.00	2-7/32	A2	E	3-1/8	2-5/8	2-29/32	47
11.35	10.6	11.0	10B11.0	\$ 520.00	2-7/32	A2	E	3-1/8	2-5/8	2-29/32	59
12.75	12.0	12.4	10B12.4	\$ 532.00	2-7/32	A2	E	3-1/8	2-5/8	2-29/32	67
13.95	13.2	13.6	10B13.6	\$ 636.00	1	A3	F	2-1/16	3-5/8	3-1/8	84
15.75	15.0	15.4	10B15.4	\$ 680.00	1	A3	F	2-1/16	3-5/8	3-1/8	96
16.35	15.6	16.0	10B16.0	\$ 760.00	1	A3	F	2-1/16	3-5/8	3-1/8	100
18.75	18.0	18.4	10B18.4	\$ 800.00	1	A3	F	2-1/16	3-5/8	3-1/8	126
20.35	19.6	20.0	10B20.0	\$ 860.00	1	A3	F	2-1/16	3-5/8	3-1/8	127
25.35	24.6	25.0	10B25.0	\$1,160.00	1	A3	F	2-1/16	3-5/8	3-1/8	165
30.35	29.6	30.0	10B30.0	\$1,380.00	1	A3	F	2-1/16	3-5/8	3-1/8	220
38.35	37.6	38.0	10B38.0	\$1,780.00	5/16	A3	J	1-9/16	4-1/2	2-15/16	306



TYPE A

*E & M Dimension varies according to shaft tolerance

All Dimensions in Inches

Weights are approximate pounds including bushing

**List Prices shown are for sheave only.

Bushing list prices are at the front of this section.



C stock sheave dimensions conventional v-belt drives

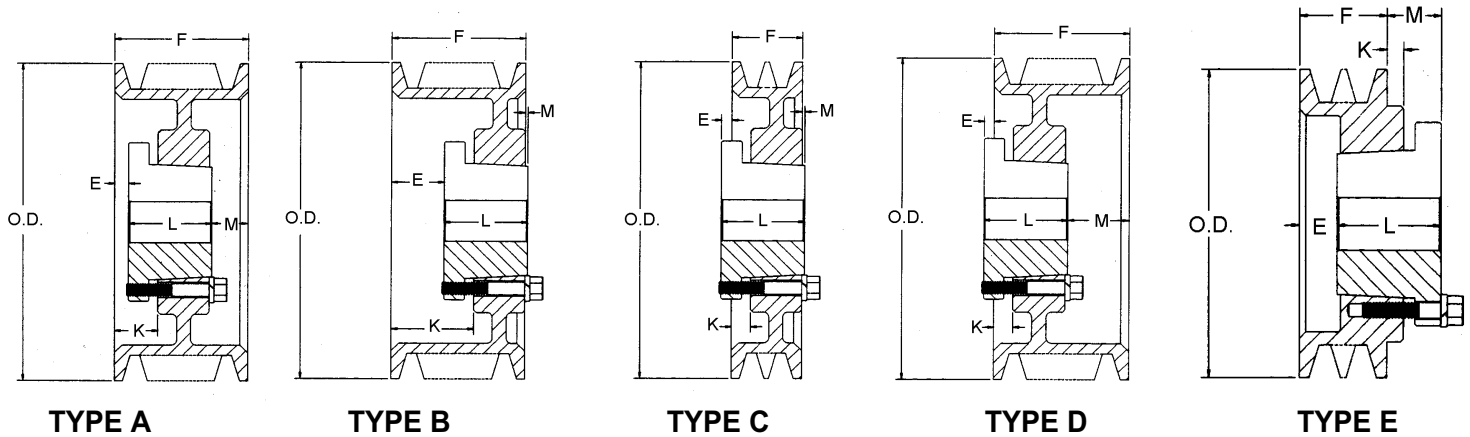


Figure Following Letter in Column Headed "TYPE" in Table Below Indicates Sheave Construction
1 - Solid, No Web. 2 - Web. 3 - Arms

O.D.	DATUM DIAMETER	1 GROOVE									2 GROOVE								
		PART NUMBER	LIST PRICE	F = 1-3/8						PART NUMBER	LIST PRICE	F = 2-3/8							
				E*	TYPE	BUSH.	K	L	M*			WT. LBS	E*	TYPE	BUSH.	K	L	M*	WT. LBS
6.0	5.6										2C5.6	\$130.00	3/16	A1	SD	13/16	1-13/16	3/8	10
7.4	7.0	1C7.0	\$ 112.00	9/16	C1	SF	1/8	2	1/16	13	2C7.0	\$132.00	1/8	A1	SF	13/16	2	1/4	15
7.9	7.5	1C7.5	\$ 120.00	9/16	C1	SF	1/8	2	1/16	14	2C7.5	\$136.00	1/8	A1	SF	13/16	2	1/4	17
8.4	8.0	1C8.0	\$ 124.00	9/16	C2	SF	1/8	2	1/16	17	2C8.0	\$144.00	1/8	A2	SF	13/16	2	1/4	19
8.9	8.5	1C8.5	\$ 128.00	9/16	C2	SF	1/8	2	1/16	16	2C8.5	\$148.00	1/8	A2	SF	13/16	2	1/4	22
9.4	9.0	1C9.0	\$ 132.00	9/16	C2	SF	1/8	2	1/16	17	2C9.0	\$152.00	1/8	A2	SF	13/16	2	1/4	21
9.9	9.5	1C9.5	\$ 136.00	9/16	C2	SF	1/8	2	1/16	18	2C9.5	\$160.00	1/8	A2	SF	13/16	2	1/4	23
10.4	10.0	1C10.0	\$ 140.00	9/16	C2	SF	1/8	2	1/16	19	2C10.0	\$176.00	1/8	A2	SF	13/16	2	1/4	24
10.9	10.5	1C10.5	\$ 152.00	9/16	C2	SF	1/8	2	1/16	20	2C10.5	\$188.00	1/8	A2	SF	13/16	2	1/4	26
11.4	11.0	1C11.0	\$ 172.00	9/16	C3	SF	1/8	2	1/16	18	2C11.0	\$200.00	1/8	A3	SF	13/16	2	1/4	23
12.4	12.0	1C12.0	\$ 184.00	9/16	C3	SF	1/8	2	1/16	20	2C12.0	\$210.00	1/8	D3	SF	9/16	2	1/2	25
13.4	13.0	1C13.0	\$ 240.00	9/16	C3	SF	1/8	2	1/16	22	2C13.0	\$250.00	1/8	D3	SF	9/16	2	1/2	27
14.4	14.0	1C14.0	\$ 260.00	9/16	C3	SF	1/8	2	1/16	23	2C14.0	\$270.00	1/8	D3	SF	9/16	2	1/2	29
16.4	16.0	1C16.0	\$ 280.00	9/16	C3	SF	1/8	2	1/16	27	2C16.0	\$290.00	1/8	D3	SF	9/16	2	1/2	35
18.4	18.0	1C18.0	\$ 300.00	9/16	C3	SF	1/8	2	1/16	31	2C18.0	\$310.00	1/8	D3	SF	9/16	2	1/2	45
20.4	20.0	1C20.0	\$ 320.00	9/16	C3	SF	1/8	2	1/16	35	2C20.0	\$340.00	1/8	D3	SF	9/16	2	1/2	45
24.4	24.0	1C24.0	\$ 360.00	9/16	C3	SF	1/8	2	1/16	44	2C24.0	\$460.00	1/8	D3	SF	9/16	2	1/2	61
27.4	27.0										2C27.0	\$550.00	3/4	C3	F	5/16	3-5/8	1/2	90
30.4	30.0										2C30.0	\$620.00	3/4	C3	F	5/16	3-5/8	1/2	107

*E & M Dimension varies according to shaft tolerance All Dimensions in Inches Weights are approximate pounds including bushing
** List Prices are for Sheave Only. Bushing List Prices are shown at the front of this section.



C stock sheave dimensions conventional v-belt drives

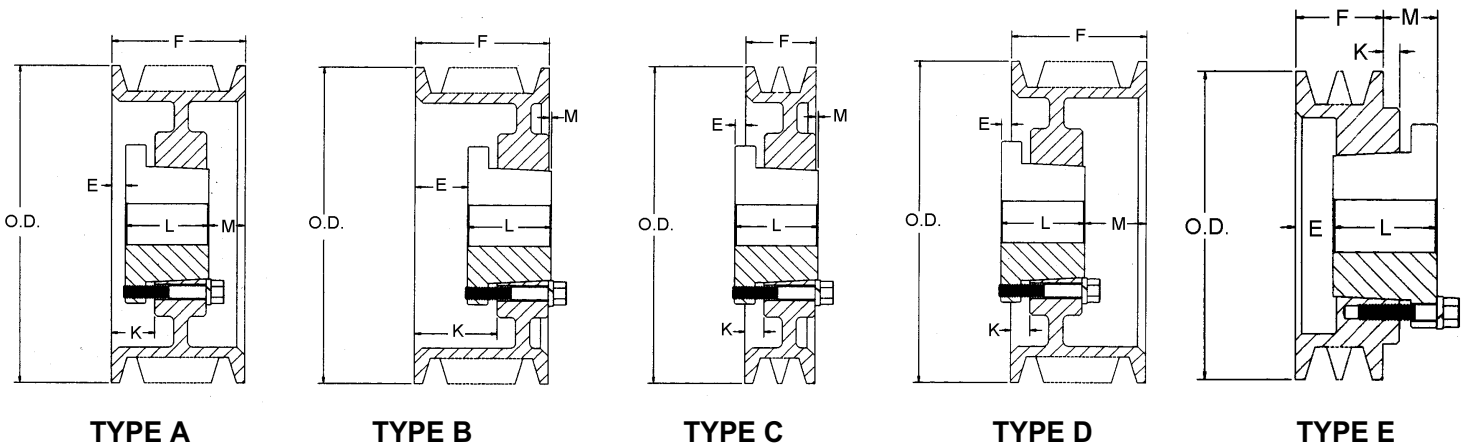


Figure Following Letter in Column Headed "TYPE" in Table Below Indicates Sheave Construction
1 - Solid, No Web. 2 - Web. 3 - Arms

O.D.	DATUM DIAMETER	3 GROOVE									4 GROOVE								
		PART NUMBER	LIST PRICE	F = 3-3/8						PART NUMBER	LIST PRICE	F = 4-3/8							
				E*	TYPE	BUSH.	K	L	M*			WT. LBS	E*	TYPE	BUSH.	K	L	M*	WT. LBS
5.4	5.0	3C5.0	\$ 136.00	1/2	A1	SD	1-1/16	1-13/16	1-1/16	10	4C5.0	\$ 156.00	1	A1	SD	1-9/16	1-13/16	1-9/16	11
6.0	5.6	3C5.6	\$ 138.00	3/4	A1	SD	1-5/16	1-13/16	13/16	12	4C5.6	\$ 158.00	1	A1	SD	1-9/16	1-13/16	1-9/16	14
6.4	6.0	3C6.0	\$ 140.00	11/16	A1	SF	1-5/16	2	11/16	12	4C6.0	\$ 160.00	15/16	A1	SF	1-9/16	2	1-7/16	14
7.4	7.0	3C7.0	\$ 144.00	11/16	A1	SF	1-5/16	2	11/16	18	4C7.0	\$ 164.00	15/16	A1	SF	1-9/16	2	1-7/16	20
7.9	7.5	3C7.5	\$ 148.00	11/16	A1	SF	1-5/16	2	11/16	21	4C7.5	\$ 172.00	15/16	A1	SF	1-9/16	2	1-7/16	24
8.4	8.0	3C8.0	\$ 156.00	7/8	B1	E	1-3/4	2-5/8	1/8	28	4C8.0	\$ 196.00	1-1/8	A1	E	2	2-5/8	5/8	31
8.9	8.5	3C8.5	\$ 176.00	7/8	B1	E	1-3/4	2-5/8	1/8	31	4C8.5	\$ 208.00	1-1/8	A1	E	2	2-5/8	5/8	34
9.4	9.0	3C9.0	\$ 188.00	7/8	B1	E	1-3/4	2-5/8	1/8	34	4C9.0	\$ 224.00	1-1/8	A1	E	2	2-5/8	5/8	38
9.9	9.5	3C9.5	\$ 200.00	7/8	B2	E	1-3/4	2-5/8	1/8	38	4C9.5	\$ 228.00	1-1/8	A2	E	2	2-5/8	5/8	42
10.4	10.0	3C10.0	\$ 220.00	7/8	B2	E	1-3/4	2-5/8	1/8	41	4C10.0	\$ 240.00	1-1/8	A2	E	2	2-5/8	5/8	45
10.9	10.5	3C10.5	\$ 230.00	7/8	B2	E	1-3/4	2-5/8	1/8	38	4C10.5	\$ 260.00	1-1/8	A2	E	2	2-5/8	5/8	43
11.4	11.0	3C11.0	\$ 240.00	7/8	B2	E	1-3/4	2-5/8	1/8	41	4C11.0	\$ 272.00	1-1/8	A2	E	2	2-5/8	5/8	45
12.4	12.0	3C12.0	\$ 250.00	7/8	B2	E	1-3/4	2-5/8	1/8	45	4C12.0	\$ 300.00	1-1/8	A2	E	2	2-5/8	5/8	51
13.4	13.0	3C13.0	\$ 290.00	7/8	B3	E	1-3/4	2-5/8	1/8	49	4C13.0	\$ 336.00	1-1/8	A3	E	2	2-5/8	5/8	56
14.4	14.0	3C14.0	\$ 320.00	7/8	B3	E	1-3/4	2-5/8	1/8	49	4C14.0	\$ 364.00	1-1/8	A3	E	2	2-5/8	5/8	58
16.4	16.0	3C16.0	\$ 330.00	7/8	B3	E	1-3/4	2-5/8	1/8	58	4C16.0	\$ 420.00	1-1/8	A3	E	2	2-5/8	5/8	67
18.4	18.0	3C18.0	\$ 350.00	7/8	B3	E	1-3/4	2-5/8	1/8	73	4C18.0	\$ 430.00	1-1/8	A3	E	2	2-5/8	5/8	83
20.4	20.0	3C20.0	\$ 400.00	1/8	A3	E	1	2-5/8	5/8	76	4C20.0	\$ 450.00	5/8	A3	E	1-1/2	2-5/8	1-1/8	91
24.4	24.0	3C24.0	\$ 480.00	1/8	A3	E	1	2-5/8	5/8	86	4C24.0	\$ 560.00	5/16	A3	F	1-5/16	3-5/8	7/16	111
27.4	27.0	3C27.0	\$ 580.00	3/16	C3	F	13/16	3-5/8	1/16	121	4C27.0	\$ 660.00	5/16	A3	F	1-5/16	3-5/8	7/16	138
30.4	30.0	3C30.0	\$ 640.00	3/16	C3	F	13/16	3-5/8	1/16	129	4C30.0	\$ 760.00	5/16	A3	F	1-5/16	3-5/8	7/16	150
36.4	36.0	3C36.0	\$ 980.00	3/16	C3	F	13/16	3-5/8	1/16	177	4C36.0	\$1,120.00	5/16	A3	F	1-5/16	3-5/8	7/16	211
44.4	44.0	3C44.0	\$1,720.00	3/16	C3	F	13/16	3-5/8	1/16	260	4C44.0	\$1,800.00	3/8	B3	J	1-9/16	4-1/2	1/2	297
50.0	50.0	3C50.0	\$1,920.00	3/16	C3	F	13/16	3-5/8	1/16	319	4C50.0	\$2,120.00	3/8	B3	J	1-9/16	4-1/2	1/2	361

*E & M Dimension varies according to shaft tolerance

All Dimensions in Inches

Weights are approximate pounds including bushing

**List Prices shown are for sheave only. Bushing list prices are shown at the front of this section.



C stock sheave dimensions conventional v-belt drives

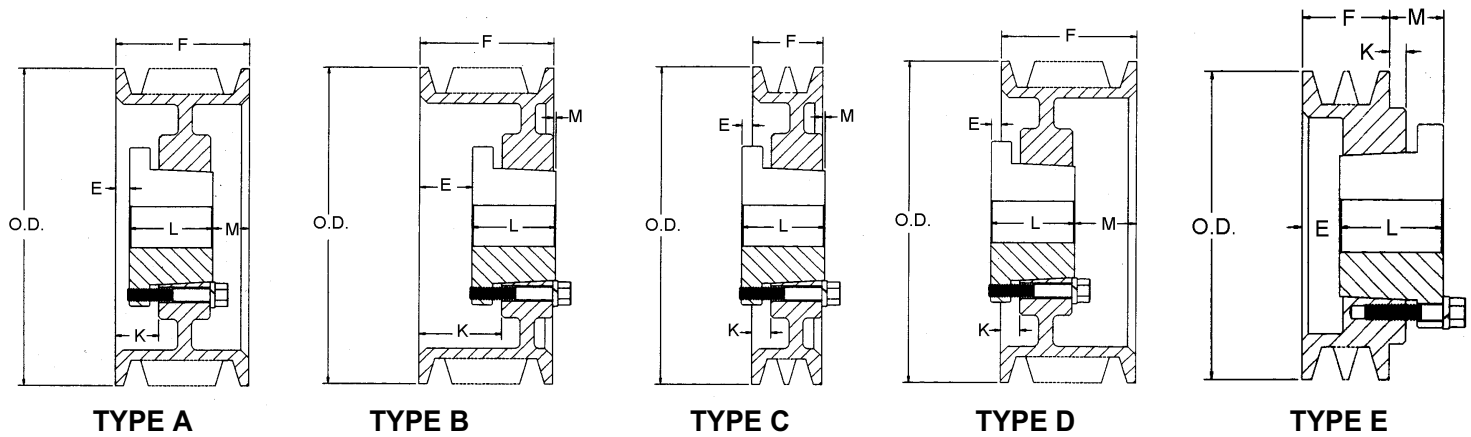


Figure Following Letter in Column Headed "TYPE" in Table Below Indicates Sheave Construction
1 - Solid, No Web. 2 - Web. 3 - Arms

O.D.	DATUM DIAMETER	5 GROOVE									6 GROOVE								
		PART NUMBER	LIST PRICE	F = 5-3/8						WT. LBS	PART NUMBER	LIST PRICE	F = 6-3/8						WT. LBS
				E*	TYPE	BUSH.	K	L	M*				E*	TYPE	BUSH.	K	L	M*	
6.4	6.0	5C6.0	\$ 172.00	1-3/8	A1	SF	1-15/16	2	2	16	6C6.0	\$ 244.00	1-3/8	A1	SF	1-15/16	2	3	17
7.4	7.0	5C7.0	\$ 176.00	1-5/16	A1	SF	1-15/16	2	2-1/16	24	6C7.0	\$ 248.00	1-5/16	A1	SF	1-15/16	2	3-1/16	27
7.9	7.5	5C7.5	\$ 224.00	1-5/16	A1	SF	1-15/16	2	2-1/16	27	6C7.5	\$ 264.00	1-5/16	A1	SF	1-15/16	2	3-1/16	30
8.4	8.0	5C8.0	\$ 236.00	1-1/2	A1	E	2-3/8	2-5/8	1-1/4	34	6C8.0	\$ 280.00	1-1/2	A1	E	2-3/8	2-5/8	2-1/4	38
8.9	8.5	5C8.5	\$ 252.00	1-1/2	A1	E	2-3/8	2-5/8	1-1/4	38	6C8.5	\$ 288.00	1-1/2	A1	E	2-3/8	2-5/8	2-1/4	41
9.4	9.0	5C9.0	\$ 256.00	1-1/2	A1	E	2-3/8	2-5/8	1-1/4	41	6C9.0	\$ 296.00	1-7/16	A1	F	2-7/16	3-5/8	1-5/16	53
9.9	9.5	5C9.5	\$ 272.00	1-1/2	A2	E	2-3/8	2-5/8	1-1/4	46	6C9.5	\$ 316.00	1-7/16	A1	F	2-7/16	3-5/8	1-5/16	60
10.4	10.0	5C10.0	\$ 276.00	1-1/2	A2	E	2-3/8	2-5/8	1-1/4	49	6C10.0	\$ 328.00	1-7/16	A1	F	2-7/16	3-5/8	1-5/16	64
10.9	10.5	5C10.5	\$ 296.00	1-1/2	A2	E	2-3/8	2-5/8	1-1/4	47	6C10.5	\$ 336.00	1-7/16	A1	F	2-7/16	3-5/8	1-5/16	70
11.4	11.0	5C11.0	\$ 332.00	1-1/2	A2	E	2-3/8	2-5/8	1-1/4	50	6C11.0	\$ 356.00	1-7/16	A2	F	2-7/16	3-5/8	1-5/16	77
12.4	12.0	5C12.0	\$ 336.00	1-1/2	A2	E	2-3/8	2-5/8	1-1/4	56	6C12.0	\$ 400.00	1-7/16	A2	F	2-7/16	3-5/8	1-5/16	73
13.4	13.0	5C13.0	\$ 376.00	1-1/2	A3	E	2-3/8	2-5/8	1-1/4	62	6C13.0	\$ 444.00	1-7/16	A3	F	2-7/16	3-5/8	1-5/16	80
14.4	14.0	5C14.0	\$ 380.00	1-1/2	A3	E	2-3/8	2-5/8	1-1/4	64	6C14.0	\$ 480.00	1-7/16	A3	F	2-7/16	3-5/8	1-5/16	83
16.4	16.0	5C16.0	\$ 430.00	1-1/2	A3	E	2-3/8	2-5/8	1-1/4	78	6C16.0	\$ 520.00	1-7/16	A3	F	2-7/16	3-5/8	1-5/16	98
18.4	18.0	5C18.0	\$ 480.00	1-1/2	A3	E	2-3/8	2-5/8	1-1/4	93	6C18.0	\$ 560.00	1-7/16	A3	F	2-7/16	3-5/8	1-5/16	109
20.4	20.0	5C20.0	\$ 600.00	5/16	A3	F	1-15/16	3-5/8	1-7/16	110	6C20.0	\$ 620.00	15/16	A3	F	1-15/16	3-5/8	1-13/16	120
24.4	24.0	5C24.0	\$ 640.00	5/16	A3	F	1-15/16	3-5/8	1-7/16	141	6C24.0	\$ 720.00	15/16	A3	F	1-15/16	3-5/8	1-13/16	133
27.4	27.0	5C27.0	\$ 760.00	5/16	A3	F	1-15/16	3-5/8	1-7/16	159	6C27.0	\$ 880.00	3/8	A3	J	1-9/16	4-1/2	1-1/2	190
30.4	30.0	5C30.0	\$ 840.00	5/16	A3	F	1-15/16	3-5/8	1-7/16	171	6C30.0	\$1,040.00	3/8	A3	J	1-9/16	4-1/2	1-1/2	215
36.4	36.0	5C36.0	\$1,180.00	3/8	A3	J	1-9/16	4-1/2	1/2	236	6C36.0	\$1,300.00	3/8	A3	J	1-9/16	4-1/2	1-1/2	281
44.4	44.0	5C44.0	\$1,940.00	3/8	A3	J	1-9/16	4-1/2	1/2	309	6C44.0	\$2,040.00	3/8	A3	J	1-9/16	4-1/2	1-1/2	348
50.0	50.0	5C50.0	\$2,280.00	3/8	A3	J	1-9/16	4-1/2	1/2	382	6C50.0	\$2,680.00	3/8	B3	M	1-15/16	6-3/4	7/8	533

*E & M Dimension varies according to shaft tolerance All Dimensions in Inches Weights are approximate pounds including bushing
**List Prices shown are for sheave only. Bushing list prices are shown at the front of this section.



C stock sheave dimensions conventional v-belt drives

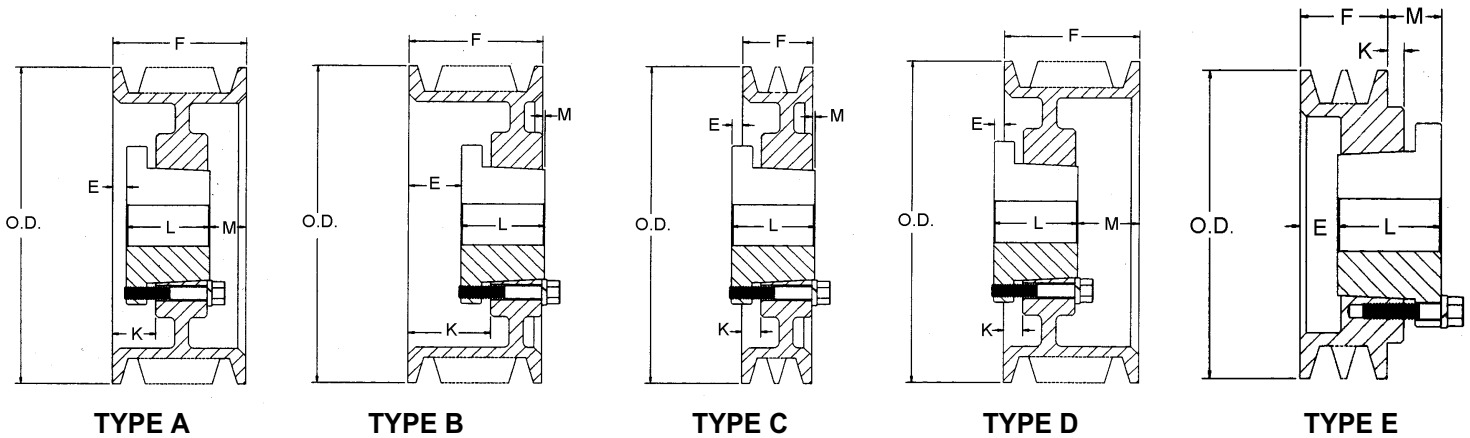


Figure Following Letter in Column Headed "TYPE" in Table Below Indicates Sheave Construction
1 - Solid, No Web. 2 - Web. 3 - Arms

O.D.	DATUM DIAMETER	7 GROOVE									8 GROOVE								
		PART NUMBER	LIST PRICE	F = 7-3/8						WT. LBS	PART NUMBER	LIST PRICE	F = 8-3/8						WT. LBS
				E*	TYPE	BUSH.	K	L	M*				E*	TYPE	BUSH.	K	L	M*	
7.4	7.0	7C7.0	\$ 320.00	2-1/4	A1	SF	2-15/16	2	3-1/8	29	8C7.0	\$ 320.00	2-7/16	A1	SF	3-1/8	2	3/15/16	32
8.4	8.0	7C8.0	\$ 390.00	2-11/32	A1	E	3-1/4	2-5/8	2-13/32	41	8C8.0	\$ 390.00	2-11/32	A1	E	3-1/4	2-5/8	3/13/32	44
8.9	8.5	7C8.5	\$ 400.00	2-11/32	A1	E	3-1/4	2-5/8	2-13/32	45	8C8.5	\$ 400.00	2-11/32	A1	E	3-1/4	2-5/8	3/13/32	48
9.4	9.0	7C9.0	\$ 410.00	2-1/4	A1	F	3-5/16	3-5/8	1-1/2	57	8C9.0	\$ 410.00	2-1/4	A1	F	3-5/16	3-5/8	2-1/2	61
9.9	9.5	7C9.5	\$ 420.00	2-1/4	A1	F	3-5/16	3-5/8	1-1/2	64	8C9.5	\$ 420.00	2-1/4	A1	F	3-5/16	3-5/8	2-1/2	68
10.4	10.0	7C10.0	\$ 430.00	2-1/4	A1	F	3-5/16	3-5/8	1-1/2	69	8C10.0	\$ 430.00	2-1/4	A1	F	3-5/16	3-5/8	2-1/2	73
10.9	10.5	7C10.5	\$ 450.00	2-1/4	A1	F	3-5/16	3-5/8	1-1/2	75	8C10.5	\$ 450.00	2-1/4	A1	F	3-5/16	3-5/8	2-1/2	79
11.4	11.0	7C11.0	\$ 480.00	2-1/4	A2	F	3-5/16	3-5/8	1-1/2	81	8C11.0	\$ 480.00	2-1/4	A2	F	3-5/16	3-5/8	2-1/2	86
12.4	12.0	7C12.0	\$ 520.00	2-1/4	A2	F	3-5/16	3-5/8	1-1/2	78	8C12.0	\$ 520.00	2-1/4	A2	F	3-5/16	3-5/8	2-1/2	83
13.4	13.0	7C13.0	\$ 560.00	2-1/4	A2	F	3-5/16	3-5/8	1-1/2	86	8C13.0	\$ 560.00	2-1/4	A2	F	3-5/16	3-5/8	2-1/2	92
14.4	14.0	7C14.0	\$ 650.00	2-1/4	A2	F	3-5/16	3-5/8	1-1/2	92	8C14.0	\$ 650.00	2-1/4	A2	F	3-5/16	3-5/8	2-1/2	102
16.4	16.0	7C16.0	\$ 740.00	2-1/4	A2	F	3-5/16	3-5/8	1-1/2	111	8C16.0	\$ 740.00	2-1/4	A2	F	3-5/16	3-5/8	2-1/2	119
18.4	18.0	7C18.0	\$ 860.00	2-1/4	A3	F	3-5/16	3-5/8	1-1/2	124	8C18.0	\$ 860.00	2-1/4	A3	F	3-5/16	3-5/8	2-1/2	134
20.4	20.0	7C20.0	\$ 870.00	5/16	A3	J	1-9/16	4-1/2	2-9/16	155	8C20.0	\$ 870.00	5/16	A3	J	1-9/16	4-1/2	3-9/16	162
24.4	24.0	7C24.0	\$1,020.00	5/16	A3	J	1-9/16	4-1/2	2-9/16	185	8C24.0	\$1,020.00	5/16	A3	J	1-9/16	4-1/2	3-9/16	189
27.4	27.0	7C27.0	\$1,120.00	5/16	A3	J	1-9/16	4-1/2	2-9/16	212	8C27.0	\$1,120.00	5/16	A3	J	1-9/16	4-1/2	3-9/16	242
30.4	30.0	7C30.0	\$1,280.00	5/16	A3	J	1-9/16	4-1/2	2-9/16	237	8C30.0	\$1,280.00	5/16	A3	J	1-9/16	4-1/2	3-9/16	256
36.4	36.0	7C36.0	\$1,600.00	5/16	A3	J	1-9/16	4-1/2	2-9/16	301	8C36.0	\$1,600.00	15/32	A3	M	1-15/16	6-3/4	1-5/32	406
44.4	44.0	7C44.0	\$2,560.00	15/32	A3	M	1-15/16	6-3/4	5/32	484	8C44.0	\$2,560.00	15/32	A3	M	1-15/16	6-3/4	1-5/32	510
50.0	50.0	7C50.0	\$3,000.00	15/32	A3	M	1-15/16	6-3/4	5/32	563	8C50.0	\$3,000.00	15/32	A3	M	1-15/16	6-3/4	1-5/32	593

*E & M Dimension varies according to shaft tolerance

All Dimensions in Inches

Weights are approximate pounds including bushing

**List Prices shown are for sheave only. Bushing list prices are shown at the front of this section.

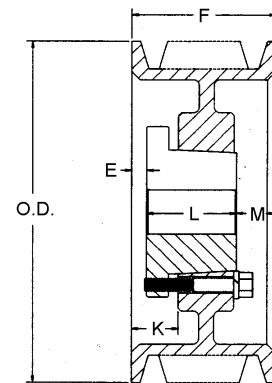


C stock sheave dimensions conventional v-belt drives

Figure Following Letter in Column Headed "TYPE" in Table Below Indicates Sheave Construction
1 - Solid, No Web. 2 - Web. 3 - Arms

O.D.	DATUM DIAMETER	9 GROOVE										10 GROOVE									
		PART NUMBER	LIST PRICE	F = 9-3/8							WT. LBS	PART NUMBER	LIST PRICE	F = 10-3/8							WT. LBS
				E*	TYPE	BUSH	K	L	M*	E*				TYPE	BUSH	K	L	M*			
8.4	8.0	9C8.0	\$ 460.00	2-11/32	A1	E	3-1/4	2-5/8	4-13/32	48	10C8.0	\$ 460.00	2-11/32	A1	E	3-1/4	2-5/8	5-13/32	51		
8.9	8.5	9C8.5	\$ 480.00	2-11/32	A1	E	3-1/4	2-5/8	4-13/32	52	10C8.5	\$ 480.00	2-11/32	A1	E	3-1/4	2-5/8	5-13/32	56		
9.4	9.0	9C9.0	\$ 500.00	2-5/16	A1	J	3-9/16	4-1/2	2-9/16	71	10C9.0	\$ 500.00	2-5/16	A1	J	3-9/16	4-1/2	3-9/16	75		
9.9	9.5	9C9.5	\$ 510.00	2-5/16	A1	J	3-9/16	4-1/2	2-9/16	80	10C9.5	\$ 510.00	2-5/16	A1	J	3-9/16	4-1/2	3-9/16	84		
10.4	10.0	9C10.0	\$ 520.00	2-5/16	A1	J	3-9/16	4-1/2	2-9/16	86	10C10.0	\$ 520.00	2-5/16	A1	J	3-9/16	4-1/2	3-9/16	90		
10.9	10.5	9C10.5	\$ 580.00	2-5/16	A1	J	3-9/16	4-1/2	2-9/16	94	10C10.5	\$ 580.00	2-5/16	A1	J	3-9/16	4-1/2	3-9/16	98		
11.4	11.0	9C11.0	\$ 600.00	2-5/16	A1	J	3-9/16	4-1/2	2-9/16	102	10C11.0	\$ 600.00	2-5/16	A1	J	3-9/16	4-1/2	3-9/16	107		
12.4	12.0	9C12.0	\$ 760.00	2-5/16	A2	J	3-9/16	4-1/2	2-9/16	119	10C12.0	\$ 760.00	2-5/16	A2	J	3-9/16	4-1/2	3-9/16	124		
13.4	13.0	9C13.0	\$ 840.00	2-5/16	A2	J	3-9/16	4-1/2	2-9/16	112	10C13.0	\$ 840.00	2-5/16	A2	J	3-9/16	4-1/2	3-9/16	118		
14.4	14.0	9C14.0	\$ 900.00	2-5/16	A2	J	3-9/16	4-1/2	2-9/16	121	10C14.0	\$ 900.00	2-5/16	A2	J	3-9/16	4-1/2	3-9/16	127		
16.4	16.0	9C16.0	\$ 960.00	2-5/16	A2	J	3-9/16	4-1/2	2-9/16	146	10C16.0	\$ 960.00	2-5/16	A2	J	3-9/16	4-1/2	3-9/16	157		
18.4	18.0	9C18.0	\$1,080.00	2-5/16	A3	J	3-9/16	4-1/2	2-9/16	155	10C18.0	\$1,080.00	2-5/16	A3	J	3-9/16	4-1/2	3-9/16	165		
20.4	20.0	9C20.0	\$1,120.00	1-13/16	A3	J	3-1/16	4-1/2	3-1/16	175	10C20.0	\$1,120.00	2-5/16	A3	J	3-9/16	4-1/2	3-9/16	186		
24.4	24.0	9C24.0	\$1,360.00	1-13/16	A3	J	3-1/16	4-1/2	3-1/16	208	10C24.0	\$1,360.00	15/32	A3	M	1-15/16	6-3/4	3-5/32	298		
27.4	27.0	9C27.0	\$1,509.80	1-13/16	A3	J	3-1/16	4-1/2	3-1/16	243											
30.4	30.0	9C30.0	\$1,760.00	15/32	A3	M	1-15/16	6-3/4	2-5/32	352	10C30.0	\$1,760.00	15/32	A3	M	1-15/16	6-3/4	3-5/32	367		
36.4	36.0	9C36.0	\$2,560.00	15/32	A3	M	1-15/16	6-3/4	2-5/32	425	10C36.0	\$2,560.00	15/32	A3	M	1-15/16	6-3/4	3-5/32	445		
44.4	44.0	9C44.0	\$2,800.00	15/32	A3	M	1-15/16	6-3/4	2-5/32	535	10C44.0	\$2,800.00	15/32	A3	M	1-15/16	6-3/4	3-5/32	595		
50.0	50.0	9C50.0	\$3,500.00	15/32	A3	M	1-15/16	6-3/4	2-5/32	623	10C50.0	\$3,500.00	15/32	A3	M	1-15/16	6-3/4	3-5/32	718		

O.D.	DATUM DIAMETER	12 GROOVE									
		PART NUMBER	LIST PRICE	F = 12-3/8							WT. LBS
				E*	TYPE	BUSH	K	L	M*		
9.4	9.0	12C9.0	\$ 700.00	2-13/16	A1	J	4-1/16	4-1/2	5-1/16	82	
9.9	9.5	12C9.5	\$ 720.00	2-13/16	A1	J	4-1/16	4-1/2	5-1/16	92	
10.4	10.0	12C10.0	\$ 740.00	2-13/16	A1	J	4-1/16	4-1/2	5-1/16	99	
10.9	10.5	12C10.5	\$ 760.00	2-13/16	A1	J	4-1/16	4-1/2	5-1/16	107	
11.4	11.0	12C11.0	\$ 780.00	2-13/16	A1	J	4-1/16	4-1/2	5-1/16	116	
12.4	12.0	12C12.0	\$ 800.00	2-13/16	A2	J	4-1/16	4-1/2	5-1/16	135	
13.4	13.0	12C13.0	\$ 920.00	2-13/16	A2	J	4-1/16	4-1/2	5-1/16	160	
14.4	14.0	12C14.0	\$1,180.00	2-13/16	A2	J	4-1/16	4-1/2	5-1/16	143	
16.4	16.0	12C16.0	\$1,360.00	2-13/16	A2	J	4-1/16	4-1/2	5-1/16	176	
18.4	18.0	12C18.0	\$1,400.00	2-13/16	A3	J	4-1/16	4-1/2	5-1/16	188	
20.4	20.0	12C20.0	\$1,480.00	15/32	A3	M	1-15/16	6-3/4	5-5/32	292	
24.4	24.0	12C24.0	\$1,520.00	15/32	A3	M	1-15/16	6-3/4	5-5/32	361	
30.4	30.0	12C30.0	\$1,780.00	15/32	A3	M	1-15/16	6-3/4	5-5/32	397	
36.4	36.0	12C36.0	\$2,640.00	15/32	A3	M	1-15/16	6-3/4	5-5/32	483	
44.4	44.0	12C44.0	\$3,200.00	15/32	A3	M	1-15/16	6-3/4	5-5/32	645	
50.0	50.0	12C50.0	\$3,900.00	15/32	A3	M	1-15/16	6-3/4	5-5/32	779	



TYPE A

*E & M Dimension varies according to shaft tolerance

All Dimensions in Inches

Weights are approximate pounds including bushing

**List Prices shown are for sheave only.

Bushing list prices are shown at the front of this section



D stock sheave dimensions conventional v-belt drives

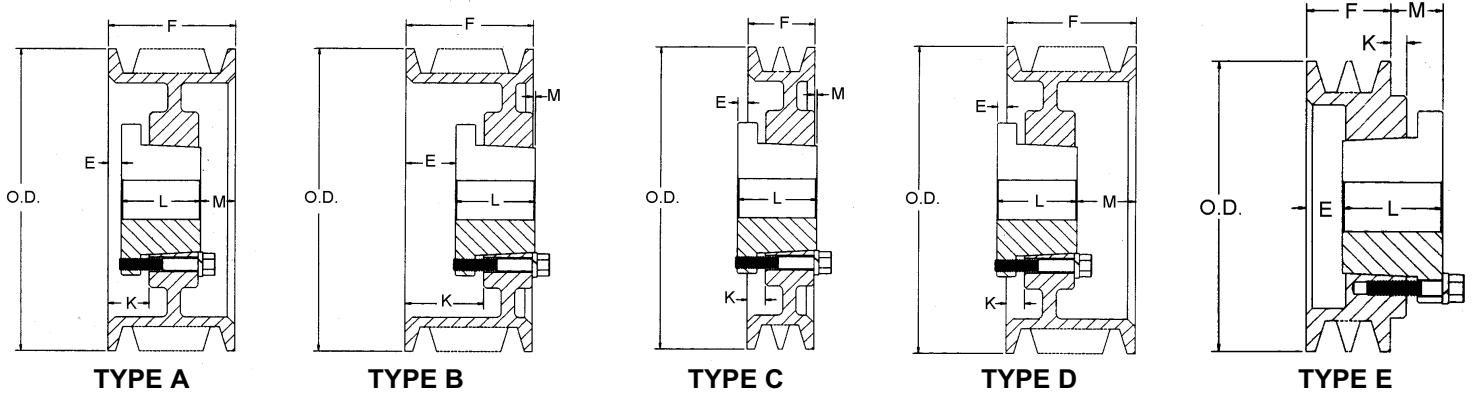


Figure Following Letter in Column Headed "TYPE" in Table Below Indicates Sheave Construction
1 - Solid, No Web. 2 - Web. 3 - Arms

O.D.	DATUM DIAMETER	3 GROOVE										4 GROOVE							
		PART NUMBER	LIST PRICE	F = 4-5/8							PART NUMBER	LIST PRICE	F = 6-1/16						
				E*	TYPE	BUSH.	K	L	M*	WT. LBS			E*	TYPE	BUSH.	K	L	M*	WT. LBS
12.6	12.0	3D12.0	\$ 560.00	7/16	A2	F	1-1/2	3-5/8	9/16	70	4D12.0	\$ 600.00	1-1/4	A2	F	2-5/16	3-5/8	1-3/16	80
13.6	13.0	3D13.0	\$ 600.00	7/16	A2	F	1-1/2	3-5/8	9/16	74	4D13.0	\$ 640.00	1-1/4	A2	F	2-5/16	3-5/8	1-3/16	86
14.1	13.5	3D13.5	\$ 620.00	7/16	A2	F	1-1/2	3-5/8	9/16	77	4D13.5	\$ 660.00	1-1/4	A2	F	2-5/16	3-5/8	1-3/16	90
14.6	14.0	3D14.0	\$ 640.00	7/16	A2	F	1-1/2	3-5/8	9/16	80	4D14.0	\$ 680.00	1-1/4	A2	F	2-5/16	3-5/8	1-3/16	94
15.1	14.5	3D14.5	\$ 680.00	7/16	A2	F	1-1/2	3-5/8	9/16	84	4D14.5	\$ 780.00	1-1/4	A2	F	2-5/16	3-5/8	1-3/16	98
15.6	15.0	3D15.0	\$ 720.00	7/16	A2	F	1-1/2	3-5/8	9/16	90	4D15.0	\$ 800.00	1-1/4	A2	F	2-5/16	3-5/8	1-3/16	102
16.1	15.5	3D15.5	\$ 740.00	7/16	A2	F	1-1/2	3-5/8	9/16	91	4D15.5	\$ 820.00	1-1/4	A2	F	2-5/16	3-5/8	1-3/16	104
16.6	16.0	3D16.0	\$ 760.00	7/16	A2	F	1-1/2	3-5/8	9/16	95	4D16.0	\$ 840.00	1-1/4	A2	F	2-5/16	3-5/8	1-3/16	108
17.6	17.0										4D17.0	\$ 940.00	1-5/16	A2	J	2-9/16	4-1/2	1/4	145
18.6	18.0	3D18.0	\$ 800.00	1/16	D3	J	1-3/16	4-1/2	3/16	125	4D18.0	\$ 960.00	1-5/16	A2	J	2-9/16	4-1/2	1/4	145
20.6	20.0										4D20.0	\$ 980.00	5/16	A3	J	1-9/16	4-1/2	1-1/4	152
22.6	22.0	3D22.0	\$ 960.00	1/16	D3	J	1-3/16	4-1/2	3/16	140	4D22.0	\$1,000.00	5/16	A3	J	1-9/16	4-1/2	1-1/4	175
24.6	24.0	3D24.0	\$ 1,080.00	1/16	D3	J	1-3/16	4-1/2	3/16	154	4D24.0	\$1,260.00	5/16	A3	J	1-9/16	4-1/2	1-1/4	189
27.6	27.0	3D27.0	\$ 1,160.00	1/16	D3	J	1-3/16	4-1/2	3/16	180	4D27.0	\$1,280.00	5/16	A3	J	1-9/16	4-1/2	1-1/4	210
33.6	33.0	3D33.0	\$ 1,640.00	1/16	D3	J	1-3/16	4-1/2	3/16	227	4D33.0	\$2,120.00	15/32	B3	M	1-15/16	6-3/8	1-5/32	342
40.6	40.0	3D40.0	\$ 2,040.00	1/16	D3	J	1-3/16	4-1/2	3/16	273	4D40.0	\$2,240.00	15/32	B3	M	1-15/16	6-3/4	1-5/32	391

O.D.	DATUM DIAMETER	5 GROOVE										6 GROOVE							
		PART NUMBER	LIST PRICE	F = 7-1/2							PART NUMBER	LIST PRICE	F = 8-15/16						
				E*	TYPE	BUSH.	K	L	M*	WT. LBS			E*	TYPE	BUSH.	K	L	M*	WT. LBS
12.6	12.0	5D12.0	\$ 780.00	2	A2	F	3-1/16	3-5/8	1-7/8	90	6D12.0	\$ 960.00	2-1/16	A2	J	3-5/16	4-1/2	2-3/8	122
13.6	13.0	5D13.0	\$ 800.00	2	A2	F	3-1/16	3-5/8	1-7/8	96	6D13.0	\$ 980.00	2-1/16	A2	J	3-5/16	4-1/2	2-3/8	121
14.1	13.5	5D13.5	\$ 820.00	2	A2	F	3-1/16	3-5/8	1-7/8	100	6D13.5	\$1,000.00	2-1/16	A2	J	3-5/16	4-1/2	2-3/8	126
14.6	14.0	5D14.0	\$ 860.00	2	A2	F	3-1/16	3-5/8	1-7/8	105	6D14.0	\$1,020.00	2-1/16	A2	J	3-5/16	4-1/2	2-3/8	132
15.1	14.5	5D14.5	\$ 920.00	2	A2	F	3-1/16	3-5/8	1-7/8	112	6D14.5	\$1,040.00	2-1/16	A2	J	3-5/16	4-1/2	2-3/8	138
15.6	15.0	5D15.0	\$ 940.00	2	A2	F	3-1/16	3-5/8	1-7/8	117	6D15.0	\$1,060.00	2-1/16	A2	J	3-5/16	4-1/2	2-3/8	143
16.1	15.5	5D15.5	\$ 960.00	2	A2	F	3-1/16	3-5/8	1-7/8	119	6D15.5	\$1,080.00	2-1/16	A2	J	3-5/16	4-1/2	2-3/8	149
16.6	16.0	5D16.0	\$ 980.00	2	A2	F	3-1/16	3-5/8	1-7/8	124	6D16.0	\$1,100.00	2-1/16	A2	J	3-5/16	4-1/2	2-3/8	155
17.6	17.0	5D17.0	\$ 1,000.00	2-1/16	A2	J	3-5/16	4-1/2	15/16	145	6D17.0	\$1,120.00	2-1/16	A2	J	3-5/16	4-1/2	2-3/8	162
18.6	18.0	5D18.0	\$ 1,020.00	2-1/16	A2	J	3-5/16	4-1/2	15/16	161	6D18.0	\$1,140.00	2-1/16	A2	J	3-5/16	4-1/2	2-3/8	181
20.6	20.0	5D20.0	\$ 1,220.00	5/16	A3	J	1-9/16	4-1/2	2-11/16	171	6D20.0	\$1,480.00	2-1/16	A3	J	3-5/16	4-1/2	2-3/8	190
22.6	22.0	5D22.0	\$ 1,420.00	5/16	A3	J	1-9/16	4-1/2	2-11/16	192	6D22.0	\$1,840.00	15/32	A3	M	1/15/16	6-3/4	1-23/32	281
24.6	24.0	5D24.0	\$ 1,570.00	5/16	A3	J	1-9/16	4-1/2	2-11/16	211	6D24.0	\$1,880.00	15/32	A3	M	1/15/16	6-3/4	1-23/32	306
27.6	27.0	5D27.0	\$ 1,740.00	15/32	A3	M	1-15/16	6-3/4	9/32	320	6D27.0	\$1,900.00	15/32	A3	M	1/15/16	6-3/4	1-23/32	346
33.6	33.0	5D33.0	\$ 2,180.00	15/32	A3	M	1-15/16	6-3/4	9/32	373	6D33.0	\$2,460.00	15/32	A3	M	1/15/16	6-3/4	1-23/32	419
40.6	40.0	5D40.0	\$ 2,700.00	15/32	A3	M	1-15/16	6-3/4	9/32	469	6D40.0	\$2,980.00	15/32	A3	M	1/15/16	6-3/4	1-23/32	510
48.6	48.0	5D48.0	\$ 3,080.00	15/32	A3	M	1-15/16	6-3/4	9/32	591	6D48.0	\$3,480.00	15/32	A3	M	1/15/16	6-3/4	1-23/32	667
58.6	58.0	5D58.0	\$ 4,280.00	15/32	A3	M	1-15/16	6-3/4	9/32	715	6D58.0	\$4,520.00	9/16	A3	N	2-1/4	8-1/8	1/4	889

*E & M Dimension varies according to shaft tolerance

All Dimensions in Inches

Weights are approximate pounds including bushing

**List Prices shown are for sheave only. Bushing list prices are shown at the front of this section.

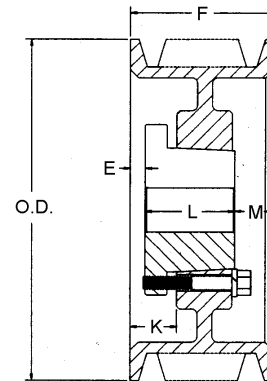


D stock sheave dimensions conventional v-belt drives

Figure Following Letter in Column Headed "TYPE" in Table Below Indicates Sheave Construction
1 - Solid, No Web. 2 - Web. 3 - Arms

O.D.	DATUM DIAMETER	8 GROOVE									10 GROOVE								
		PART NUMBER	LIST PRICE	F = 11-13/16						WT. LBS	PART NUMBER	LIST PRICE	F = 14-11/16						WT. LBS
				E	TYPE	BUSH.	K	L	M				E	TYPE	BUSH.	K	L	M	
12.6	12.0	8D12.0	\$1,240.00	2-5/16	A1	J	3-9/16	4-1/2	5	141	10D12.0	\$1,520.00	2-15/32	A1	M	3-15/16	6-3/4	5-15/32	197
13.6	13.0	8D13.0	\$1,260.00	2-5/16	A1	J	3-9/16	4-1/2	5	164	10D13.0	\$1,580.00	2-15/32	A1	M	3-15/16	6-3/4	5-15/32	224
14.1	13.5	8D13.5	\$1,280.00	2-5/16	A1	J	3-9/16	4-1/2	5	177	10D13.5	\$1,660.00	2-15/32	A1	M	3-15/16	6-3/4	5-15/32	241
14.6	14.0	8D14.0	\$1,320.00	2-5/16	A2	J	3-9/16	4-1/2	5	158	10D14.0	\$1,740.00	2-15/32	A2	M	3-15/16	6-3/4	5-15/32	263
15.1	14.5	8D14.5	\$1,360.00	2-5/16	A2	J	3-9/16	4-1/2	5	168	10D14.5	\$1,840.00	2-15/32	A2	M	3-15/16	6-3/4	5-15/32	274
15.6	15.0	8D15.0	\$1,380.00	2-5/16	A2	J	3-9/16	4-1/2	5	171	10D15.0	\$1,860.00	2-15/32	A2	M	3-15/16	6-3/4	5-15/32	292
16.1	15.5	8D15.5	\$1,400.00	2-5/16	A2	J	3-9/16	4-1/2	5	176	10D15.5	\$1,880.00	2-15/32	A2	M	3-15/16	6-3/4	5-15/32	311
16.6	16.0	8D16.0	\$1,560.00	2-5/16	A2	J	3-9/16	4-1/2	5	183	10D16.0	\$1,900.00	2-15/32	A2	M	3-15/16	6-3/4	5-15/32	297
17.6	17.0	8D17.0	\$1,680.00	2-5/16	A2	J	3-9/16	4-1/2	5	193	10D17.0	\$2,080.00	2-15/32	A2	M	3-15/16	6-3/4	5-15/32	305
18.6	18.0	8D18.0	\$1,820.00	2-15/32	A2	M	3-15/16	6-3/4	2-19/32	277	10D18.0	\$2,120.00	2-15/32	A2	M	3-15/16	6-3/4	5-15/32	311
20.6	20.0	8D20.0	\$2,000.00	2-15/32	A2	M	3-15/16	6-3/4	2-19/32	306	10D20.0	\$2,380.00	2-15/32	A2	M	3-15/16	6-3/4	5-15/32	347
22.6	22.0	8D22.0	\$2,160.00	15/32	A3	M	1-15/16	6-3/4	4-19/32	342	10D22.0	\$2,480.00	1-15/32	A3	M	2-15/16	6-3/4	6-15/32	391
27.6	27.0	8D27.0	\$2,660.00	15/32	A3	M	1-15/16	6-3/4	4-19/32	406	10D27.0	\$2,980.00	1-15/32	A3	M	2-15/16	6-3/4	6-15/32	459
33.6	33.0	8D33.0	\$2,840.00	15/32	A3	M	1-15/16	6-3/4	4-19/32	488	10D33.0	\$3,280.00	1-9/16	A3	N	3-1/4	8-1/8	5	690
40.6	40.0	8D40.0	\$3,720.00	9/16	A3	N	2-1/4	8-1/8	3-1/8	657	10D40.0	\$4,300.00	1-9/16	A3	N	3-1/4	8-1/8	5	813
48.6	48.0	8D48.0	\$4,320.00	9/16	A3	N	2-1/4	8-1/8	3-1/8	820	10D48.0	\$5,080.00	3/4	A3	P	2-5/8	9-3/8	4-9/16	1132
58.6	58.0	8D58.0	\$5,280.00	9/16	A3	N	2-1/4	8-1/8	3-1/8	1088	10D58.0	\$5,880.00	3/4	A3	P	2-5/8	9-3/8	4-9/16	1301

O.D.	DATUM DIAMETER	12 GROOVE								
		PART NUMBER	LIST PRICE	F = 17-9/16						WT. LBS
				E	TYPE	BUSH.	K	L	M	
12.6	12.0	12D12.0	\$1,720.00	3-15/32	A1	M	4-15/16	6-3/4	7-11/32	211
13.6	13.0	12D13.0	\$1,800.00	3-15/32	A1	M	4-15/16	6-3/4	7-11/32	245
14.1	13.5	12D13.5	\$1,860.00	3-15/32	A1	M	4-15/16	6-3/4	7-11/32	262
14.6	14.0	12D14.0	\$1,880.00	3-15/32	A2	M	4-15/16	6-3/4	7-11/32	280
15.1	14.5	12D14.5	\$2,000.00	3-15/32	A2	M	4-15/16	6-3/4	7-11/32	298
15.6	15.0	12D15.0	\$2,120.00	3-15/32	A2	M	4-15/16	6-3/4	7-11/32	316
16.1	15.5	12D15.5	\$2,180.00	3-15/32	A2	M	4-15/16	6-3/4	7-11/32	336
16.6	16.0	12D16.0	\$2,200.00	3-15/32	A2	M	4-15/16	6-3/4	7-11/32	314
17.6	17.0	12D17.0	\$2,320.00	3-15/32	A2	M	4-15/16	6-3/4	7-11/32	324
18.6	18.0	12D18.0	\$2,420.00	3-15/32	A2	M	4-15/16	6-3/4	7-11/32	352
20.6	20.0	12D20.0	\$2,760.00	3-15/32	A2	M	4-15/16	6-3/4	7-11/32	387
22.6	22.0	12D22.0	\$2,980.00	2-15/32	A3	M	3-15/16	6-3/4	8-11/32	426
27.6	27.0	12D27.0	\$3,640.00	2-9/16	A3	N	4-1/4	8-1/8	6-7/8	572
33.6	33.0	12D33.0	\$4,380.00	2-9/16	A3	N	4-1/4	8-1/8	6-7/8	705
40.6	40.0	12D40.0	\$5,040.00	3/4	A3	P	2-5/8	9-3/8	7-7/16	957
48.6	48.0	12D48.0	\$6,180.00	3/4	A3	P	2-5/8	9-3/8	7-7/16	1287
58.6	58.0	12D58.0	\$6,760.00	3/4	A3	P	2-5/8	9-3/8	7-7/16	1493



TYPE A

*E & M Dimension varies according to shaft tolerance

All Dimensions in Inches

Weights are approximate pounds including bushing

**List Prices shown are for sheave only. Bushing list prices are shown at the front of this section.

the fast easy way to determine the bore size you need **NEMA Motor Standards**

NEMA Frame and HP Assignments for open type polyphase squirrel-cage 60 cycle motors

MOTOR HP	3500 RPM				1750 RPM				1160 RPM				860 RPM			
	FRAME & SHAFT SIZE				FRAME & SHAFT SIZE				FRAME & SHAFT SIZE				FRAME & SHAFT SIZE			
	OLD	SHAFT	1956 & T	SHAFT	OLD	SHAFT	1956 & T	SHAFT	OLD	SHAFT	1956 & T	SHAFT	OLD	SHAFT	1956 & T	SHAFT
1/2													204	3/4	182 143T	7/8
3/4									203	3/4	182 143T	7/8	224	1	184 145T	7/8
1					203	3/4	182 143T	7/8	204	3/4	184 145T	7/8	225	1	213 182T	1 1/8
1 1/2	203	3/4	182 143T	7/8	204	3/4	184 145T	7/8	224	1	184 182T	7/8 1 1/8	254	1 1/8	213 184T	1 1/8
2	204	3/4	184 145T	7/8	224	1	184 145T	7/8	225	1	213 184T	1 1/8	254	1 1/8	215 213T	1 1/8 1 3/8
3	224	1	184 145T	7/8	225	1	213 182T	1 1/8	254	1 1/8	215 213T	1 1/8 1 3/8	284	1 1/4	254U 215T	1 3/8
5	225	1	213 182T	1 1/8	254	1 1/8	215 184T	1 1/8	284	1 1/4	254U 215T	1 3/8 1 5/8	324	1 5/8	256U 254T	1 3/8 1 5/8
7 1/2	254	1 1/8	215 184T	1 1/8	284	1 1/4	254U 213T	1 3/8	324	1 5/8	256U 254T	1 3/8 1 5/8	326	1 5/8	284U 256T	1 5/8
10	284	1 1/4	254U 213T	1 3/8	324	1 5/8	256U 215T	1 3/8	326	1 5/8	284U 256T	1 3/8 1 5/8	364	1 7/8	286U 284T	1 5/8 1 7/8
15	324	1 5/8	256U 215T	1 3/8	326	1 5/8	284U 254T	1 3/8	364	1 7/8	324U 284T	1 3/8 1 5/8	365	1 7/8	326U 286T	1 7/8
20	326	1 5/8	284U 254T	1 3/8	364	1 7/8	286U 256T	1 3/8	365	1 7/8	326U 286T	1 3/8 1 5/8			364U 324T	2 1/8
25	364S	1 5/8	286U 256T	1 3/8	364	1 7/8	324U 284T	1 3/8			364U 324T	2 1/8			365U 326T	2 1/8
30	364S	1 5/8	324S 284TS	1 3/8	365	1 7/8	326U 286T	1 3/8			365U 326T	2 1/8			404U 364T	2 3/8
40	365S	1 5/8	326S 286TS	1 3/8			364U 324T	2 1/8			404U 364T	2 3/8			405U 365T	2 3/8
50			364US 324TS	1 7/8			365US 326T	1 7/8			405U 365T	2 3/8			444U 404T	2 7/8
60			365US 326TS	1 7/8			404US 364TS	2 1/8 1 7/8			444U 404T	2 7/8			445U 405T	2 7/8
75			404US 364TS	2 1/8 1 7/8			405US 365TS	2 1/8 1 7/8			445U 405T	2 7/8			444T	3 3/8
100			405US 365TS	2 1/8 1 7/8			444US 404TS	2 1/8			444T	3 3/8			445T	3 3/8
125			444US 404TS	2 1/8			445US 405TS	2 1/8			445T	3 3/8				
150			405US 405TS	2 1/8			444TS	2 3/8								
200			444TS	2 3/8			445TS	2 3/8								
250			445TS	2 3/8												

NOTE: Suffix S Denotes short shaft motor for direct coupled service. For belt drives consult motor manufacturer.

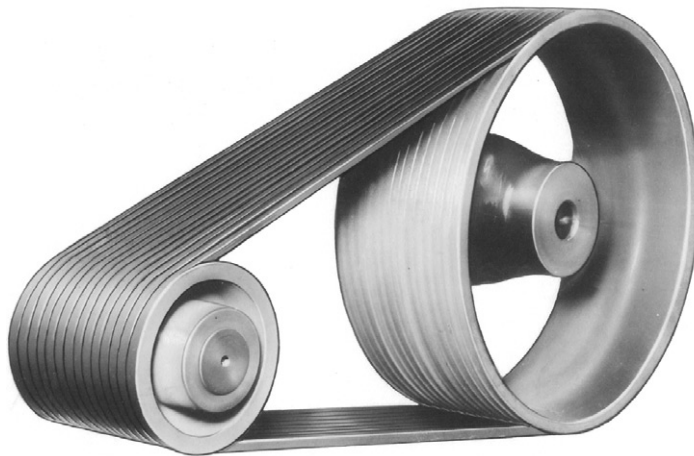
NEMA MOTOR FRAME DIMENSIONS

Standardized motor dimensions as established by the National Electrical Manufacturers Association (NEMA) are tabulated at right and apply to all motors listed in the MotorBook which carry a NEMA frame designation.

FRAME NO.	SHAFT		KEY		DIMENSIONS INCHES								FRAME NO.	SHAFT		KEY		DIMENSIONS INCHES							
	U	V	W	T	L	A	B	D	E	F	BA	U		V	W	T	L	A	B	D	E	F	BA		
143T	7/8	2	3/16	3/16	1 3/8	7	6	3 1/2	2 3/4	2	2 1/4	365	1 7/8	5 3/8	3/2	1/2	4 1/4	18	16 1/4	9	7	6 1/2	5 7/8		
145T	7/8	2	3/16	3/16	1 3/8	7	6	3 1/2	2 3/4	2 1/2	2 1/4	365S	1 7/8	5 3/8	3/2	1/2	4 1/4	18	16 1/4	9	7	6 1/2	5 7/8		
182	7/8	2	3/16	3/16	1 3/8	9	6 1/2	4 1/2	3 3/4	2 1/4	2 3/4	365U	1 7/8	5 3/8	3/2	1/2	4 1/4	18	16 1/4	9	7	6 1/2	5 7/8		
182T	1 1/8	2 1/2	1/4	1/4	1 3/4	9	6 1/2	4 1/2	3 3/4	2 1/4	2 3/4	365US	1 7/8	5 3/8	3/2	1/2	4 1/4	18	16 1/4	9	7	6 1/2	5 7/8		
184	7/8	2	3/16	3/16	1 3/8	9	7 1/2	4 1/2	3 3/4	2 3/4	2 3/4	365T	2 3/8	5 5/8	5/8	5/8	4 1/4	18	16 1/4	9	7	6 1/2	5 7/8		
184T	1 1/8	2 1/2	1/4	1/4	1 3/4	9	7 1/2	4 1/2	3 3/4	2 3/4	2 3/4														
203	3/4	2	3/16	3/16	1 3/8	10	7 1/2	5	4	2 3/4	3 1/8	365TS	1 7/8	5 3/8	3/2	1/2	2	18	16 1/4	9	7	6 1/2	5 7/8		
204	3/4	2	3/16	3/16	1 3/8	10	8 1/2	5	4	3 1/4	3 1/8	404	2 1/8	6 1/2	1/2	1/2	5	20	16 1/4	10	8	6 1/2	6 5/8		
213	1 1/8	2 3/4	1/4	1/4	2	10 1/2	7 1/2	5 1/4	4 1/4	2 3/4	3 1/2	404S	1 7/8	5 3/8	3/2	1/2	2	20	16 1/4	10	8	6 1/2	6 5/8		
213T	1 1/8	2 3/4	1/4	1/4	2	10 1/2	7 1/2	5 1/4	4 1/4	2 3/4	3 1/2	404U	2 3/8	6 1/8	5/8	5/8	5 1/2	20	16 1/4	10	8	6 1/2	6 5/8		
215	1 1/8	2 3/4	1/4	1/4	2	10 1/2	9	5 1/4	4 1/4	3 1/2	3 1/2	404US	2 1/8	4	1/2	1/2	2 3/4	20	16 1/4	10	8	6 1/2	6 5/8		
215T	1 1/8	2 3/4	1/4	1/4	2	10 1/2	9	5 1/4	4 1/4	3 1/2	3 1/2														
224	1	2 3/4	1/4	1/4	2	11	8 3/4	5 1/2	4 1/2	3 3/8	3 1/2	404T	2 7/8	7	3/4	3/4	5 5/8	20	16 1/4	10	8	6 1/2	6 5/8		
225	1	2 3/4	1/4	1/4	2	11	9 1/2	5 1/2	4 1/2	3 3/4	3 1/2	404TS	2 1/8	4	1/2	1/2	2 3/4	20	16 1/4	10	8	6 1/2	6 5/8		
254	1 1/8	3 1/8	1/4	1/4	2 3/8	12 1/2	10 3/4	6 1/4	5	4 1/8	4 1/4	405	2 1/8	6 1/8	1/2	1/2	5	20	17 3/4	10	8	6 7/8	6 5/8		
254U	1 1/8	3 1/2	5/16	5/16	2 3/4	12 1/2	10 3/4	6 1/4	5	4 1/8	4 1/4	405S	1 7/8	5 3/8	3/2	1/2	2	20	17 3/4	10	8	6 7/8	6 5/8		
254T	1 1/8	3 3/4	3/8	3/8	2 7/8	12 1/2	10 3/4	6 1/4	5	4 1/8	4 1/4	405U	2 3/8	6 3/8	5/8	5/8	5 1/2	20	17 3/4	10	8	6 7/8	6 5/8		
256U	1 1/8	3 1/2	5/16	5/16	2 3/4	12 1/2	12 1/2	6 1/4	5	5	4 1/4	405US	2 1/8	4	1/2	1/2	2 3/4	20	17 3/4	10	8	6 7/8	6 5/8		
256T	1 1/8	3 3/4	3/8	3/8	2 7/8	12 1/2	12 1/2	6 1/4	5	5	4 1/4	405T	2 7/8	7	3/4	3/4	5 3/8	20	17 3/4	10	8	6 7/8	6 5/8		
284	1 1/4	3 1/2	1/4	1/4	2 3/4	14	12 1/2	7	5 1/2	4 3/4	4 3/4	405TS	2 1/8	4	1/2	1/2	2 3/4	20	17 3/4	10	8	6 7/8	6 5/8		
284U	1 1/8	4 5/8	3/8	3/8	3 3/4	14	12 1/2	7	5 1/2	4 3/4	4 3/4	444	2 3/8	6 3/8	5/8	5/8	5 1/2	22	18 1/2	11	9	7 1/4	7 1/2		
284T	1 7/8	4 3/8	1/2	1/2	3 1/4	14	12 1/2	7	5 1/2	4 3/4	4 3/4	444S	2 1/8	4	1/2	1/2	2 3/4	22	18 1/2	11	9	7 1/4	7 1/2		
284TS	1 3/8	3	3/8	3/8	1 3/4	14	12 1/2	7	5 1/2	4 3/4	4 3/4	444U	2 1/8	4	1/2	1/2	2 3/4	22	18 1/2	11	9	7 1/4	7 1/2		
286U	1 1/8	4 5/8	3/8	3/8	3 3/4	14	14	7	5 1/2	5 1/2	4 3/4	444US	2 1/8	4	1/2	1/2	2 3/4	22	18 1/2	11	9	7 1/4	7 1/2		
286T	1 7/8	4 3/8	1/2	1/2	3 1/4	14	14	7	5 1/2	5 1/2	4 3/4	444T	3 3/8	8 1/4	7/8	7/8	6 7/8	22	18 1/2	11	9	7 1/4	7 1/2		
286TS	1 3/8	3	3/8	3/8	1 3/4	14	14	7	5 1/2	5 1/2	4 3/4	444TS	2 3/8	4 1/2	5/8	5/8	3	22	18 1/2	11	9	7 1/4	7 1/2		
324	1 5/8	4 5/8	3/8	3/8	3 3/4	16	14	8	6 1/4	5 1/4	5 1/4	445	2 3/8	6 3/8	5/8	5/8	5 1/2	22	20 1/2	11	9	8 1/4	7 1/2		
324U	1 7/8	5 3/8	1/2	1/2	4 1/4	16	14	8	6 1/4	5 1/4	5 1/4	445S	2 1/8	4	1/2	1/2	2 3/4	22	20 1/2	11	9	8 1/4	7 1/2		
324S	1 5/8	3	3/8	3/8	1 7/8	16	14	8	6 1/4	5 1/4	5 1/4	445U	2 3/8	6 3/8	3/4	3/4	7	22	20 1/2	11	9	8 1/4	7 1/2		
324T	2 1/8	5	1/2	1/2	3 7/8	16	14	8	6 1/4	5 1/4	5 1/4	445US	2 1/8	4	1/2	1/2	2 3/4	22	20 1/2	11	9	8 1/4	7 1/2		
324TS	1 7/8	3 1/2	1/2	1/2	2	16	14	8	6 1/4	5 1/4	5 1/4	445T	3 3/8	8 1/4	7/8	7/8	6 7/8	22	20 1/2	11	9	8 1/4	7 1/2		
326	1 5/8	4 5/8	3/8	3/8	3 3/4	16	15 1/2	8	6 1/4	6	5 1/4	445TS	2 3/8	4 1/2	5/8	5/8	3	22	20 1/2	11	9	8 1/4	7 1/2		
326U	1 7/8	5 3/8	1/2	1/2	4 1/4	1																			



SUPER WEDGE DRIVES



3V, 5V, AND 8V CROSS SECTIONS SPECIAL MADE-TO-ORDER SHEAVES USE WITH FUL-GRIP (QD™) BUSHINGS

The Maurey Super Wedge Sheave makes full use of the most advanced developments in modern high strength metals, including ductile iron, and of modern foundry and machining techniques. They reduce drive weight by 25% and more. Their narrower grooves and small diameters save vital inches of space with no sacrifice in capacity to carry horsepower load. In their smoothly machined grooves, belts are perfectly seated and protected from abrasions. Balanced overall construction makes for smooth true running drives. However, please note that cast iron sheaves cannot exceed 6500 feet per minute rim speed. Also, special or dynamic balancing should be considered when rim speeds exceed 5000 feet per minute.

Full Size Range

Super Wedge Sheaves are available from stock in a complete range of sizes in 3V, 5V and 8V

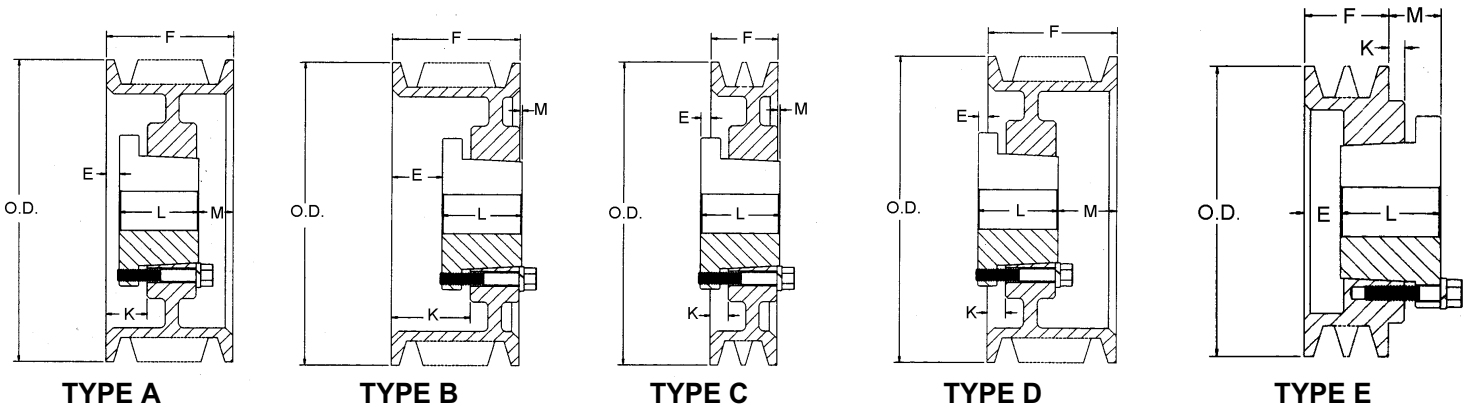
3V Sheaves are available in 1-groove through 10-groove construction

5V Sheaves are available in 2-groove through 10-groove construction

8V Sheaves are available in 4-groove through 12-groove construction



3V stock sheave dimensions super wedge sheave drives



Part Number Explanation

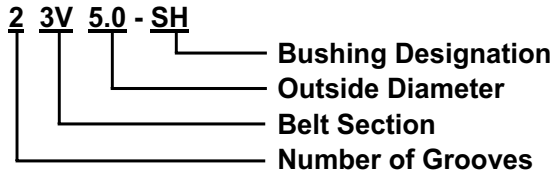


Figure Following Letter in Column Headed "TYPE" in Table Below Indicates Sheave Construction
1 - Solid, No Web. 2 - Web. 3 - Arms

O.D.	PART NUMBER	LIST PRICE	1 GROOVE							PART NUMBER	LIST PRICE	2 GROOVE						
			*F=11/16									F=1-3/32						
			BUSH	TYPE	E	K	L	M	WT			BUSH	TYPE	E	K	L	M	WT
2.20	13V2.2	\$ 20.00	JA	E1	9/16	7/16	1	7/8	.9	23V2.2	\$ 28.80	JA	E1	31/32	7/16	1	7/8	1.0
2.35	13V2.35	\$ 20.80	JA	E1	9/16	7/16	1	7/8	1.1	23V2.35	\$ 29.60	JA	E1	31/32	7/16	1	7/8	1.3
2.50	13V2.5	\$ 21.60	JA	E1	9/16	7/16	1	7/8	1.2	23V2.5	\$ 30.40	JA	E1	31/32	7/16	1	7/8	1.4
2.65	13V2.65	\$ 22.40	JA	D1	3/8	1/16	1	1/16	1.4	23V2.65	\$ 31.20	JA	D1	5/16	1/8	1	13/32	1.6
2.80	13V2.8	\$ 23.20	JA	D1	3/8	1/16	1	1/16	1.5	23V2.8	\$ 32.00	JA	D1	5/16	1/8	1	13/32	1.7
3.00	13V3.0	\$ 24.00	JA	D1	3/8	1/16	1	1/16	1.6	23V3.0	\$ 32.80	JA	D1	5/16	1/8	1	13/32	2.0
3.15	13V3.15	\$ 25.20	JA	D1	3/8	1/16	1	1/16	1.7	23V3.15	\$ 34.00	JA	D1	5/16	1/8	1	13/32	2.1
3.35	13V3.35	\$ 26.40	JA	D1	3/8	1/16	1	1/16	1.8	23V3.35	\$ 35.20	SH	D1	3/8	1/8	1-1/4	7/32	2.2
3.65	13V3.65	\$ 27.60	SH	C1	1/2	0	1-1/4	1/16	2.2	23V3.65	\$ 36.40	SH	D1	3/8	1/8	1-1/4	7/32	2.6
4.12	13V4.12	\$ 28.80	SH	C1	1/2	0	1-1/4	1/16	2.7	23V4.12	\$ 40.00	SH	D1	3/16	5/16	1-1/4	1/32	3.2
4.50	13V4.5	\$ 30.00	SH	C1	1/2	0	1-1/4	1/16	3.1	23V4.5	\$ 44.00	SH	D1	3/16	5/16	1-1/4	1/32	3.8
4.75	13V4.75	\$ 32.00	SH	C1	1/2	0	1-1/4	1/16	3.4	23V4.75	\$ 48.00	SH	D1	3/16	5/16	1-1/4	1/32	4.1
5.00	13V5.0	\$ 34.00	SH	C1	1/2	0	1-1/4	1/16	3.7	23V5.0	\$ 52.00	SH	D1	3/16	5/16	1-1/4	1/32	4.6
5.30	13V5.3	\$ 36.00	SH	C2	1/2	0	1-1/4	1/16	3.9	23V5.3	\$ 54.00	SH	D1	3/16	5/16	1-1/4	1/32	5.1
5.60	13V5.6	\$ 38.00	SH	C2	1/2	0	1-1/4	1/16	4.4	23V5.6	\$ 56.00	SH	D1	3/16	5/16	1-1/4	1/32	5.6
6.00	13V6.0	\$ 40.00	SH	C2	1/2	0	1-1/4	1/16	4.5	23V6.0	\$ 58.00	SH	D2	3/16	5/16	1-1/4	1/32	4.8
6.50	13V6.5	\$ 44.00	SH	C2	1/2	0	1-1/4	1/16	4.6	23V6.5	\$ 64.00	SDS	D2	1/4	5/16	1-5/16	1/32	5.4
6.90	13V6.9	\$ 52.00	SH	C2	1/2	0	1-1/4	1/16	4.2	23V6.9	\$ 70.00	SDS	D2	1/4	5/16	1-5/16	1/32	5.6
8.00	13V8.0	\$ 60.00	SDS	C3	9/16	0	1-5/16	1/16	6.6	23V8.0	\$ 72.00	SDS	D2	1/4	5/16	1-5/16	1/32	7.8
10.60	13V10.6	\$ 100.00	SDS	C3	9/16	0	1-5/16	0	8.5	23V10.6	\$ 110.00	SK	C3	3/8	1/4	1-7/8	13/32	13.1
14.00	13V14.0	\$ 120.00	SK	C3	9/16	0	1-7/8	7/16	14.0	23V14.0	\$ 174.00	SK	C3	3/8	1/4	1-7/8	13/32	16.8
19.00	13V19.0	\$ 200.00	SK	C3	9/16	0	1-7/8	7/16	19.8	23V19.0	\$ 204.00	SK	C3	3/8	1/4	1-7/8	13/32	23.3
25.00										23V25.0	\$ 360.00	SF	C3	3/8	1/4	2	17/32	39.0

*F = 3/4 for 10.60 inches O.D. and F= 13/16 for 14.00 inches and 19.00 inches O.D.

^ Recommended for use with cogged belts only

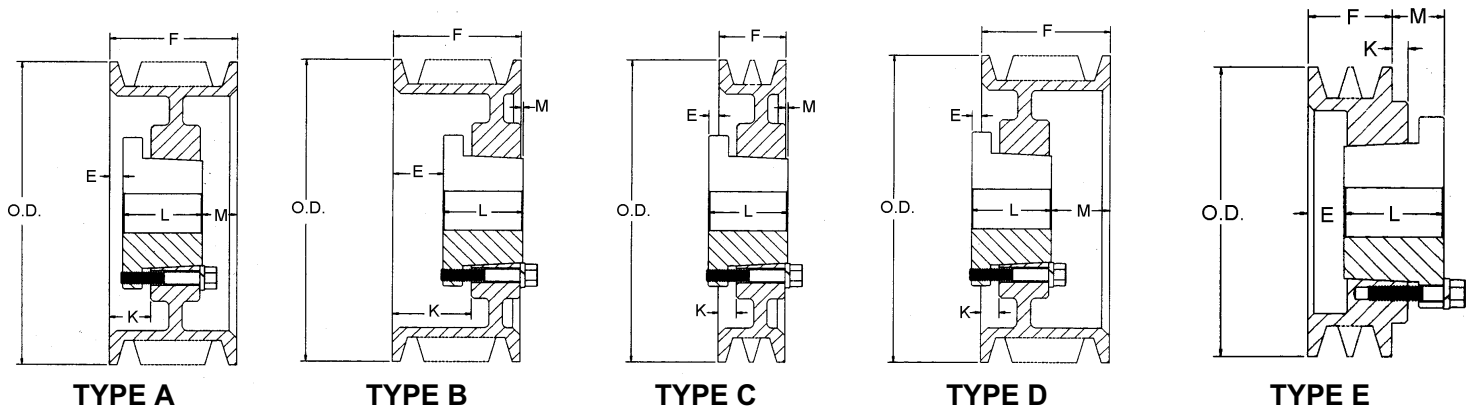
**List Prices shown are for sheave only. Bushing list prices are shown in the front of Section C.

All Dimensions in Inches

NOTE: Weight includes bushing with average bore size.



3V stock sheave dimensions super wedge sheave drives



Part Number Explanation

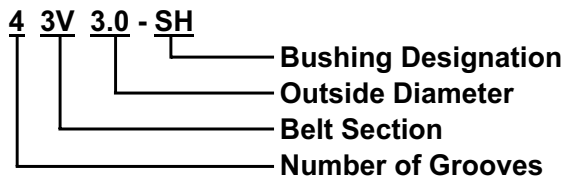


Figure Following Letter in Column Headed "TYPE" in Table Below Indicates Sheave Construction
1 - Solid, No Web. 2 - Web. 3 - Arms

O.D.	PART NUMBER	LIST PRICE	3 GROOVE							PART NUMBER	LIST PRICE	4 GROOVE						
			F=1-1/2									F=1-29/32						
			BUSH	TYPE	E	K	L	M	WT			BUSH	TYPE	E	K	L	M	WT
2.50	33V2.5	\$ 36.00	JA	E1	1-3/8	7/16	1	7/8	1.7	43V2.65	\$ 42.40	JA	E1	1-7/32	1/8	1	5/16	2.2
2.65	33V2.65	\$ 36.80	JA	E1	13/16	1/8	1	5/16	1.9			JA	E1	1-7/32	1/8	1	5/16	2.4
2.80	33V2.8	\$ 37.60	JA	E1	13/16	1/8	1	5/16	2.2	43V2.8	\$ 42.80	JA	E1	1-7/32	1/8	1	5/16	2.4
3.00	33V3.0	\$ 38.80	SH	E1	1-1/16	5/16	1-1/4	13/16	2.6	43V3.0	\$ 43.20	SH	E1	1-15/32	5/16	1-1/4	13/16	2.8
3.15	33V3.15	\$ 40.00	SH	E1	1-1/16	5/16	1-1/4	13/16	2.8	43V3.15	\$ 44.80	SH	E1	1-15/32	5/16	1-1/4	13/16	3.1
3.35	33V3.35	\$ 41.20	SH	D1	3/8	1/8	1-1/4	5/8	2.6	43V3.35	\$ 46.40	SH	D1	3/8	1/8	1-1/4	1-1/32	2.9
3.65	33V3.65	\$ 42.40	SH	D1	3/8	1/8	1-1/4	5/8	3.2	43V3.65	\$ 48.00	SH	D1	3/8	1/8	1-1/4	1-1/32	3.8
4.12	33V4.12	\$ 44.00	SH	A1	3/16	11/16	1-1/4	1/16	3.6	43V4.12	\$ 50.00	SH	A1	5/16	13/16	1-1/4	9/32	4.1
4.50	33V4.5	\$ 50.00	SDS	A1	1/8	11/16	1-5/16	1/16	4.3	43V4.5	\$ 52.00	SDS	A1	1/4	13/16	1-5/16	11/32	4.6
4.75	33V4.75	\$ 54.00	SDS	A1	1/8	11/16	1-5/16	1/16	4.8	43V4.75	\$ 56.00	SDS	A1	1/4	13/16	1-5/16	11/32	5.3
5.00	33V5.0	\$ 58.00	SDS	A1	1/8	11/16	1-5/16	1/16	5.1	43V5.0	\$ 60.00	SDS	A1	1/4	13/16	1-5/16	11/32	5.6
5.30	33V5.3	\$ 60.00	SDS	A1	1/8	11/16	1-5/16	1/16	5.8	43V5.3	\$ 64.00	SDS	A1	1/4	13/16	1-5/16	11/32	6.4
5.60	33V5.6	\$ 62.00	SDS	A1	1/8	11/16	1-5/16	1/16	6.5	43V5.6	\$ 66.00	SDS	A1	1/4	13/16	1-5/16	11/32	6.9
6.00	33V6.0	\$ 66.00	SDS	A2	1/8	11/16	1-5/16	1/16	6.5	43V6.0	\$ 70.00	SK	A1	0	5/8	1-7/8	1/32	9.4
6.50	33V6.5	\$ 68.00	SDS	A2	1/8	11/16	1-5/16	1/16	6.5	43V6.5	\$ 72.00	SK	A1	0	5/8	1-7/8	1/32	9.5
6.90	33V6.9	\$ 80.00	SDS	A2	1/8	11/16	1-5/16	1/16	6.8	43V6.9	\$ 82.00	SK	A2	0	5/8	1-7/8	1/32	10.1
8.00	33V8.0	\$ 86.00	SK	C2	3/8	1/4	1-7/8	0	11.8	43V8.0	\$ 88.00	SK	A2	0	5/8	1-7/8	1/32	12.7
10.60	33V10.6	\$ 126.00	SK	C3	3/8	1/4	1-7/8	0	14.3	43V10.6	\$ 128.00	SK	A3	0	5/8	1-7/8	1/32	17.7
14.00	33V14.0	\$ 184.00	SK	C3	3/8	1/4	1-7/8	0	21.0	43V14.0	\$ 196.00	SK	A3	0	5/8	1-7/8	1/32	23.6
19.00	33V19.0	\$ 216.00	SF	C3	3/8	1/4	2	1/8	35.8	43V19.0	\$ 252.00	SF	B3	0	5/8	2	3/32	38.5
25.00	33V25.0	\$ 400.00	SF	C3	3/8	1/4	2	1/8	44.3	43V25.0	\$ 412.00	SF	B3	0	5/8	2	3/32	56.5
33.50	33V33.5	\$ 720.00	SF	C3	3/8	1/4	2	1/8	77.3	43V33.5	\$ 780.00	E	C3	3/8	1/2	2-5/8	11/32	107.0

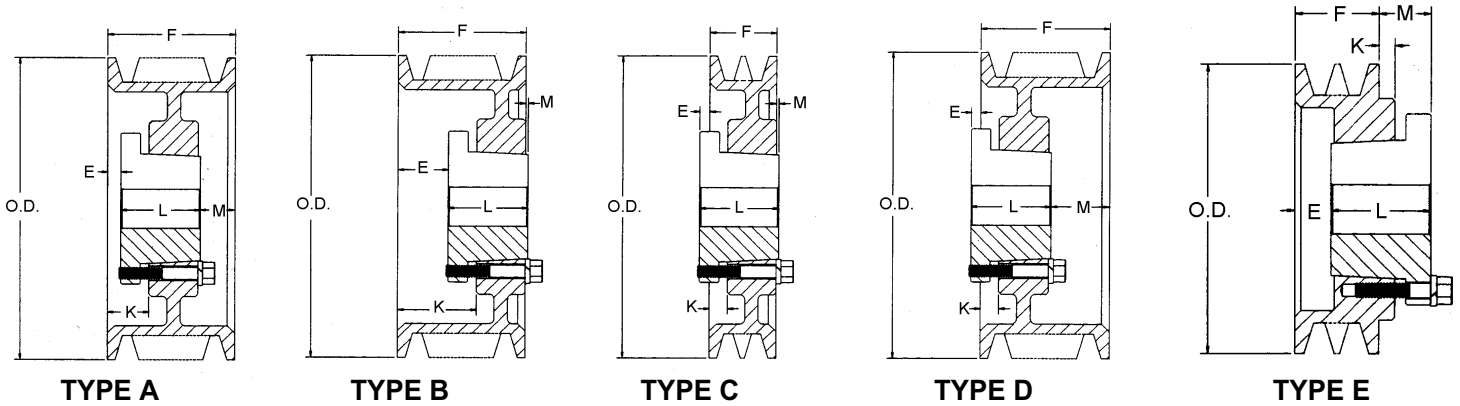
NOTE: Weight includes bushing with average bore size.

All Dimensions in Inches

**List Prices shown are for sheave only. Bushing list prices are shown in the front of Section C.



3V stock sheave dimensions super wedge sheave drives



Part Number Explanation

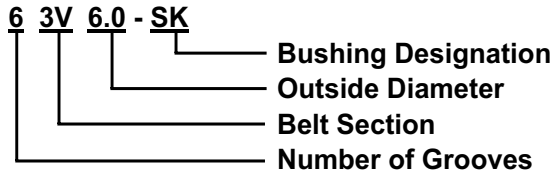


Figure Following Letter in Column Headed "TYPE" in Table Below Indicates Sheave Construction
1 - Solid, No Web. 2 - Web. 3 - Arms

O.D.	PART NUMBER	LIST PRICE	5 GROOVE							PART NUMBER	LIST PRICE	6 GROOVE						
			F=2-5/16									F=2-23/32						
			BUSH	TYPE	E	K	L	M	WT			BUSH	TYPE	E	K	L	M	WT
4.75	53V4.75	\$ 62.00	SDS	A1	1/4	13/16	1-5/16	3/4	5.9	63V4.75	\$ 84.00	SK	E1	1-11/32	1/8	1-7/8	1/2	7.1
5.00	53V5.0	\$ 68.00	SDS	A1	1/4	13/16	1-5/16	3/4	6.3	63V5.0	\$ 86.00	SK	E1	1-11/32	1/8	1-7/8	1/2	7.8
5.30	53V5.3	\$ 70.00	SK	A1	5/16	15/16	1-7/8	1/8	8.0	63V5.3	\$ 88.00	SK	A1	11/16	1-5/16	1-7/8	5/32	8.6
5.60	53V5.6	\$ 76.00	SK	A1	5/16	15/16	1-7/8	1/8	9.0	63V5.6	\$ 90.00	SK	A1	11/16	1-5/16	1-7/8	5/32	8.6
6.00	53V6.0	\$ 78.00	SK	A1	5/16	15/16	1-7/8	1/8	10.3	63V6.0	\$ 92.00	SK	A1	11/16	1-5/16	1-7/8	5/32	11.0
6.50	53V6.5	\$ 80.00	SK	A1	5/16	15/16	1-7/8	1/8	10.2	63V6.5	\$ 94.00	SK	A1	11/16	1-5/16	1-7/8	5/32	11.1
6.90	53V6.9	\$ 88.00	SK	A2	5/16	15/16	1-7/8	1/8	11.0	63V6.9	\$ 112.00	SK	A2	11/16	1-5/16	1-7/8	5/32	12.1
8.00	53V8.0	\$ 94.00	SK	A2	5/16	15/16	1-7/8	1/8	14.4	63V8.0	\$ 124.00	SK	A2	1/4	7/8	1-7/8	19/32	15.2
10.60	53V10.6	\$ 130.00	SK	A3	5/16	15/16	1-7/8	1/8	19.2	63V10.6	\$ 144.00	SF	A3	1/4	7/8	2	15/32	22.6
14.00	53V14.0	\$ 232.00	SF	A3	1/4	7/8	2	1/16	30.6	63V14.0	\$ 248.00	SF	A3	1/4	7/8	2	15/32	33.0
19.00	53V19.0	\$ 292.00	SF	A3	1/4	7/8	2	1/16	45.2	63V19.0	\$ 308.00	E	B3	1/8	1	2-5/8	1/32	61.4
25.00	53V25.0	\$ 436.00	E	C3	1/4	5/8	2-5/8	1/16	72.6	63V25.0	\$ 452.00	E	B3	1/8	1	2-5/8	1/32	81.2
33.50	53V33.5	\$ 850.00	E	C3	1/4	5/8	2-5/8	1/16	109.7	63V33.5	\$ 900.00	E	B3	1/8	1	2-5/8	1/32	125.3

O.D.	PART NUMBER	LIST PRICE	8 GROOVE							PART NUMBER	LIST PRICE	10 GROOVE						
			F=3-17/32									F=4-11/32						
			BUSH	TYPE	E	K	L	M	WT			BUSH	TYPE	E	K	L	M	WT
4.75	83V4.75	\$ 106.00	SK	E1	2-5/32	1/8	1-7/8	1/2	8.4	103V4.75	\$ 126.00	SK	E1	2-31/32	1/8	1-7/8	1/2	9.7
5.00	83V5.0	\$ 110.00	SK	E1	2-5/32	1/8	1-7/8	1/2	8.6	103V5.0	\$ 128.00	SK	E1	2-31/32	1/8	1-7/8	1/2	10.4
5.30	83V5.3	\$ 124.00	SK	A1	11/16	1-5/16	1-7/8	31/32	10.1	103V5.3	\$ 130.00	SK	A1	13/16	1-7/16	1-7/8	1-21/32	11.4
5.60	83V5.6	\$ 126.00	SK	A1	11/16	1-5/16	1-7/8	31/32	10.9	103V5.6	\$ 132.00	SK	A1	13/16	1-7/16	1-7/8	1-21/32	12.5
6.00	83V6.0	\$ 128.00	SK	A1	11/16	1-5/16	1-7/8	31/32	12.8	103V6.0	\$ 134.00	SK	A1	13/16	1-7/16	1-7/8	1-21/32	14.1
6.50	83V6.5	\$ 130.00	SK	A1	11/16	1-5/16	1-7/8	31/32	14.3	103V6.5	\$ 144.00	SK	A1	13/16	1-7/16	1-7/8	1-21/32	15.9
6.90	83V6.9	\$ 132.00	SK	A2	11/16	1-5/16	1-7/8	31/32	13.9	103V6.9	\$ 146.00	SK	A2	13/16	1-7/16	1-7/8	1-21/32	15.9
8.00	83V8.0	\$ 148.00	SF	A2	1/2	1-1/8	2	1-1/32	20.0	103V8.0	\$ 194.00	SF	A2	7/8	1-1/2	2	1-15/32	21.5
10.60	83V10.6	\$ 210.00	SF	A2	1/2	1-1/8	2	1-1/32	28.1	103V10.6	\$ 250.00	E	A2	3/8	1-1/4	2-5/8	1-11/32	41.3
14.00	83V14.0	\$ 284.00	E	A3	3/8	1-1/4	2-5/8	17/32	51.3	103V14.0	\$ 320.00	E	A3	3/8	1-1/4	2-5/8	1-11/32	55.3
19.00	83V19.0	\$ 444.00	E	A3	3/8	1-1/4	2-5/8	17/32	69.2	103V19.0	\$ 472.00	E	A3	3/8	1-1/4	2-5/8	1-11/32	80.0
25.00	83V25.0	\$ 520.00	E	A3	3/8	1-1/4	2-5/8	17/32	97.6	103V25.0	\$ 596.00	F	A3	5/16	1-5/16	3-5/8	13/32	127.0
33.50	83V33.5	\$ 980.00	F	B3	1/16	1-1/16	3-5/8	5/32	156.0	103V33.5	\$ 1,100.00	F	A3	5/16	1-5/16	3-5/8	13/32	182.0

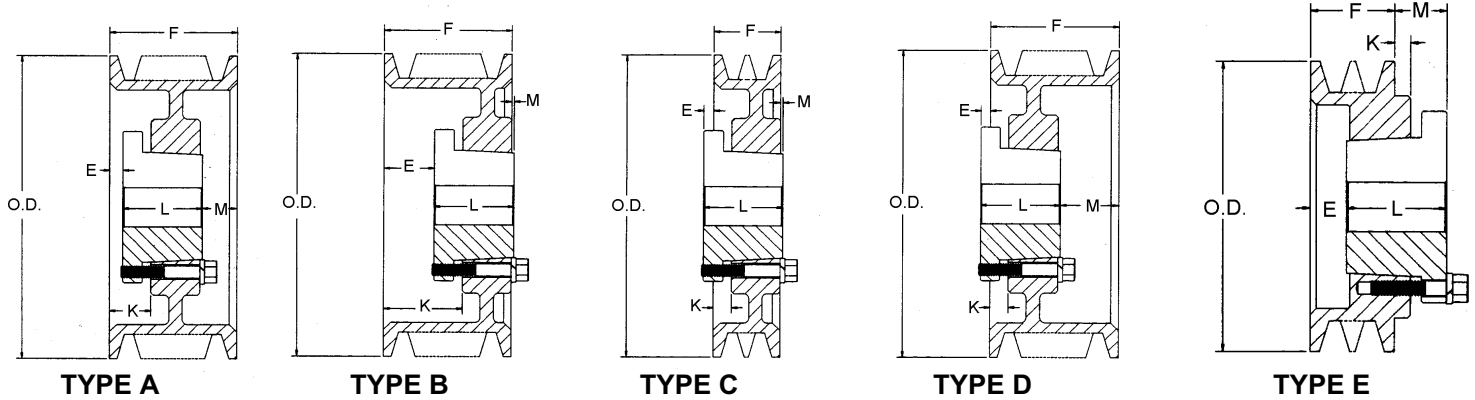
NOTE: Weight includes bushing with average bore size.

All Dimensions in Inches

**List Prices shown are for sheave only. Bushing list prices are shown in the front of Section C.



5V stock sheave dimensions super wedge sheave drives



Part Number Explanation

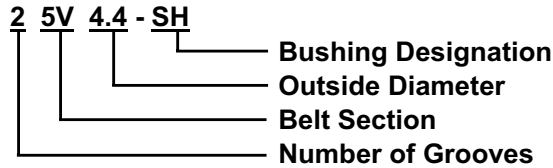


Figure Following Letter in Column Headed "TYPE" in Table Below Indicates Sheave Construction
1 - Solid, No Web. 2 - Web. 3 - Arms

O.D.	PART NUMBER	LIST PRICE	2 GROOVE							PART NUMBER	LIST PRICE	3 GROOVE						
			F = 1-11/16									F = 2-3/8						
			BUSH	TYPE	E	K	L	M	WT			BUSH	TYPE	E	K	L	M	WT
4.40	25V4.4	\$ 73.00	SH	A1	3/16	11/16	1-1/4	1/4	4.0	35V4.4	\$ 79.00	SDS	E1	1-5/8	0	1-5/16	9/16	5.2
4.65	25V4.65	\$ 79.00	SDS	E1	3/4	3/16	1-5/16	3/8	4.3	35V4.65	\$ 85.00	SDS	E1	1-5/8	0	1-5/16	9/16	5.8
4.90	25V4.9	\$ 85.00	SDS	A1	1/8	11/16	1-5/16	1/4	4.8	35V4.9	\$ 91.00	SDS	A1	1/2	1-1/16	1-5/16	9/16	5.9
5.20	25V5.2	\$ 91.00	SDS	A1	1/8	11/16	1-5/16	1/4	5.4	35V5.2	\$ 97.00	SDS	A1	1/2	1-1/16	1-5/16	9/16	6.6
5.50	25V5.5	\$ 97.00	SDS	A1	1/8	11/16	1-5/16	1/4	6.1	35V5.5	\$ 103.00	SDS	A1	1/2	1-1/16	1-5/16	9/16	7.4
5.90	25V5.9	\$ 103.00	SDS	A1	1/8	11/16	1-5/16	1/4	6.8	35V5.9	\$ 109.00	SDS	A1	1/2	1-1/16	1-5/16	9/16	8.2
6.30	25V6.3	\$ 109.00	SK	D1	3/16	7/16	1-7/8	0	9.6	35V6.3	\$ 115.00	SK	A1	7/16	1-1/16	1-7/8	1/16	11.2
6.70	25V6.7	\$ 115.00	SK	D1	3/16	7/16	1-7/8	0	11.0	35V6.7	\$ 121.00	SK	A1	7/16	1-1/16	1-7/8	1/16	12.7
7.10	25V7.1	\$ 120.00	SK	D1	3/16	7/16	1-7/8	0	13.0	35V7.1	\$ 128.00	SF	B1	3/8	1	2	0	15.0
7.50	25V7.5	\$ 122.00	SK	D1	3/16	7/16	1-7/8	0	14.5	35V7.5	\$ 134.00	SF	B1	3/8	1	2	0	16.8
8.00	25V8.0	\$ 124.00	SK	D1	3/16	7/16	1-7/8	0	16.5	35V8.0	\$ 142.00	SF	B1	3/8	1	2	0	18.6
8.50	25V8.5	\$ 128.00	SK	D2	3/16	7/16	1-7/8	0	14.5	35V8.5	\$ 146.00	SF	B1	3/8	1	2	0	20.7
9.00	25V9.0	\$ 136.00	SK	D2	3/16	7/16	1-7/8	0	16.0	35V9.0	\$ 150.00	SF	B2	3/8	1	2	0	20.9
9.25	25V9.25	\$ 144.00	SK	D2	3/16	7/16	1-7/8	0	17.0	35V9.25	\$ 156.00	SF	B2	3/8	1	2	0	21.6
9.75	25V9.75	\$ 148.00	SK	D3	3/16	7/16	1-7/8	0	14.5	35V9.75	\$ 162.00	SF	B2	3/8	1	2	0	22.8
10.30	25V10.3	\$ 152.00	SK	D3	3/16	7/16	1-7/8	0	15.5	35V10.3	\$ 172.00	SF	B2	3/8	1	2	0	24.3
10.90	25V10.9	\$ 156.00	SK	D3	3/16	7/16	1-7/8	0	17.0	35V10.9	\$ 176.00	SF	B3	3/8	1	2	0	26.2
11.30	25V11.3	\$ 160.00	SK	D3	3/16	7/16	1-7/8	0	18.3	35V11.3	\$ 180.00	SF	B3	3/8	1	2	0	24.2
11.80	25V11.8	\$ 162.00	SK	D3	3/16	7/16	1-7/8	0	19.0	35V11.8	\$ 194.00	SF	B3	3/8	1	2	0	25.0
12.50	25V12.5	\$ 164.00	SF	C3	3/16	7/16	2	1/8	22.0	35V12.5	\$ 202.00	E	C3	1/8	3/4	2-5/8	1/8	36.0
13.20	25V13.2	\$ 176.00	SF	C3	3/16	7/16	2	1/8	24.0	35V13.2	\$ 212.00	E	C3	1/8	3/4	2-5/8	1/8	38.0
14.00	25V14.0	\$ 230.00	SF	C3	3/16	7/16	2	1/8	27.0	35V14.0	\$ 258.00	E	C3	1/8	3/4	2-5/8	1/8	46.0
15.00	25V15.0	\$ 234.00	SF	C3	3/16	7/16	2	1/8	28.0	35V15.0	\$ 274.00	E	C3	1/8	3/4	2-5/8	1/8	44.0
16.00	25V16.0	\$ 252.00	SF	C3	3/16	7/16	2	1/8	29.0	35V16.0	\$ 282.00	E	C3	1/8	3/4	2-5/8	1/8	45.0
18.70	25V18.7	\$ 300.00	SF	C3	3/16	7/16	2	1/8	39.0	35V18.7	\$ 328.00	E	C3	1/8	3/4	2-5/8	1/8	55.0
21.20	25V21.2	\$ 416.00	SF	C3	3/16	7/16	2	1/8	43.0	35V21.2	\$ 440.00	E	C3	1/8	3/4	2-5/8	1/8	62.0
23.60	25V23.6	\$ 480.00	E	C3	1/8	3/4	2-5/8	13/16	61.0	35V23.6	\$ 500.00	E	C3	1/8	3/4	2-5/8	1/8	75.0
28.00	25V28.0	\$ 520.00	E	C3	1/8	3/4	2-5/8	13/16	77.5	35V28.0	\$ 540.00	E	C3	1/8	3/4	2-5/8	1/8	85.0
31.50										35V31.5	\$ 920.00	F	C3	7/16	9/16	3-5/8	13/16	130.0
37.50										35V37.5	\$ 1,180.00	F	C3	7/16	9/16	3-5/8	13/16	143.0
50.00										35V50.0	\$ 1,780.00	F	C3	7/16	9/16	3-5/8	13/16	218.0

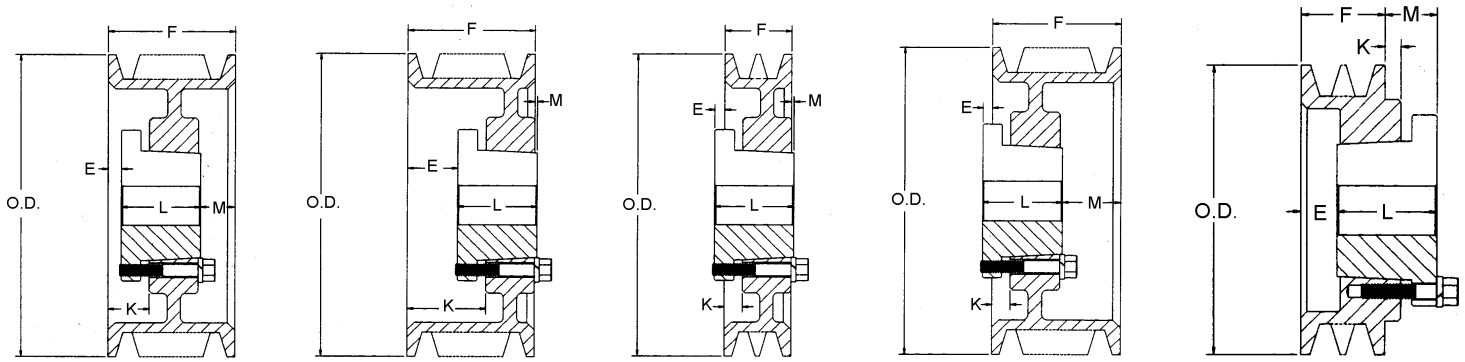
NOTE: Weight includes bushing with average bore size.

All Dimensions in Inches

**List Prices shown are for sheave only. Bushing list prices are shown in the front of Section C.



5V stock sheave dimensions super wedge sheave drives



TYPE A

TYPE B

TYPE C

TYPE D

TYPE E

Part Number Explanation

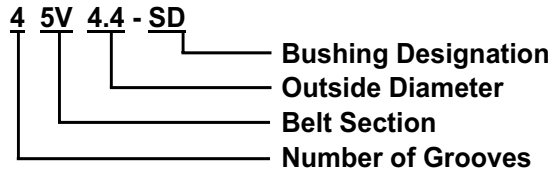


Figure Following Letter in Column Headed "TYPE" in Table Below Indicates Sheave Construction
1 - Solid, No Web. 2 - Web. 3 - Arms

O.D.	PART NUMBER	LIST PRICE	4 GROOVE							PART NUMBER	LIST PRICE	5 GROOVE						
			F = 3-1/16									F = 3-3/4						
			BUSH	TYPE	E	K	L	M	WT			BUSH	TYPE	E	K	L	M	WT
4.40	45V4.4	\$ 92.00	SD	E1	1-13/16	0	1-13/16	9/16	6.3	55V4.4	\$ 104.00	SD	E1	2-1/2	0	1-13/16	9/16	7.3
4.65	45V4.65	\$ 98.00	SD	E1	1-13/16	0	1-13/16	9/16	7.1	55V4.65	\$ 110.00	SD	E1	2-1/2	0	1-13/16	9/16	8.1
4.90	45V4.9	\$ 104.00	SD	A1	3/4	1-5/16	1-13/16	1/2	7.7	55V4.9	\$ 116.00	SD	A1	3/4	1-5/16	1-13/16	1-3/16	8.7
5.20	45V5.2	\$ 110.00	SD	A1	3/4	1-5/16	1-13/16	1/2	8.7	55V5.2	\$ 122.00	SD	A1	3/4	1-5/16	1-13/16	1-3/16	9.9
5.50	45V5.5	\$ 116.00	SD	A1	3/4	1-5/16	1-13/16	1/2	9.8	55V5.5	\$ 128.00	SD	A1	3/4	1-5/16	1-13/16	1-3/16	11.1
5.90	45V5.9	\$ 122.00	SD	A1	3/4	1-5/16	1-13/16	1/2	11.1	55V5.9	\$ 134.00	SK	A1	11/16	1-5/16	1-7/8	1-3/16	12.6
6.30	45V6.3	\$ 128.00	SK	A1	11/16	1-5/16	1-7/8	1/2	12.7	55V6.3	\$ 140.00	SK	A1	11/16	1-5/16	1-7/8	1-3/16	14.3
6.70	45V6.7	\$ 134.00	SK	A1	11/16	1-5/16	1-7/8	1/2	14.3	55V6.7	\$ 146.00	SF	A1	11/16	1-5/16	2	1-1/16	16.6
7.10	45V7.1	\$ 140.00	SF	A1	7/16	1-1/16	2	5/8	16.7	55V7.1	\$ 156.00	SF	A1	3/4	1-3/8	2	1	18.8
7.50	45V7.5	\$ 148.00	SF	A1	7/16	1-1/16	2	5/8	18.8	55V7.5	\$ 174.00	SF	A1	3/4	1-3/8	2	1	20.8
8.00	45V8.0	\$ 156.00	E	B1	9/16	1-7/16	2-5/8	1/8	27.3	55V8.0	\$ 184.00	E	A1	7/8	1-3/4	2-5/8	1/4	29.1
8.50	45V8.5	\$ 162.00	E	B1	9/16	1-7/16	2-5/8	1/8	29.8	55V8.5	\$ 190.00	E	A1	7/8	1-3/4	2-5/8	1/4	32.2
9.00	45V9.0	\$ 164.00	E	B1	9/16	1-7/16	2-5/8	1/8	32.9	55V9.0	\$ 198.00	E	A1	7/8	1-3/4	2-5/8	1/4	35.3
9.25	45V9.25	\$ 168.00	E	B1	9/16	1-7/16	2-5/8	1/8	34.8	55V9.25	\$ 202.00	E	A1	7/8	1-3/4	2-5/8	1/4	37.5
9.75	45V9.75	\$ 196.00	E	B2	9/16	1-7/16	2-5/8	1/8	34.0	55V9.75	\$ 218.00	E	A2	7/8	1-3/4	2-5/8	1/4	38.0
10.30	45V10.3	\$ 200.00	E	B2	9/16	1-7/16	2-5/8	1/8	36.3	55V10.3	\$ 220.00	E	A2	7/8	1-3/4	2-5/8	1/4	40.3
10.90	45V10.9	\$ 206.00	E	B2	9/16	1-7/16	2-5/8	1/8	40.0	55V10.9	\$ 222.00	E	A2	7/8	1-3/4	2-5/8	1/4	44.5
11.30	45V11.3	\$ 224.00	E	B2	9/16	1-7/16	2-5/8	1/8	40.0	55V11.3	\$ 242.00	E	A2	7/8	1-3/4	2-5/8	1/4	43.6
11.80	45V11.8	\$ 226.00	E	B2	9/16	1-7/16	2-5/8	1/8	41.5	55V11.8	\$ 244.00	E	A2	7/8	1-3/4	2-5/8	1/4	44.5
12.50	45V12.5	\$ 234.00	E	B3	9/16	1-7/16	2-5/8	1/8	42.5	55V12.5	\$ 282.00	E	A3	7/8	1-3/4	2-5/8	1/4	55.0
13.20	45V13.2	\$ 256.00	E	B3	9/16	1-7/16	2-5/8	1/8	44.0	55V13.2	\$ 300.00	E	A3	7/8	1-3/4	2-5/8	1/4	58.0
14.00	45V14.0	\$ 290.00	E	B3	9/16	1-7/16	2-5/8	1/8	45.0	55V14.0	\$ 344.00	E	A3	7/8	1-3/4	2-5/8	1/4	59.8
15.00	45V15.0	\$ 320.00	E	B3	9/16	1-7/16	2-5/8	1/8	49.8	55V15.0	\$ 384.00	E	A3	7/8	1-3/4	2-5/8	1/4	60.5
16.00	45V16.0	\$ 340.00	E	B3	9/16	1-7/16	2-5/8	1/8	51.0	55V16.0	\$ 404.00	E	A3	7/8	1-3/4	2-5/8	1/4	67.0
18.70	45V18.7	\$ 380.00	E	A3	3/8	1-1/4	2-5/8	1/16	65.0	55V18.7	\$ 432.00	F	B3	5/16	1-5/16	3-5/8	3/16	88.0
21.20	45V21.2	\$ 512.00	E	A3	3/8	1-1/4	2-5/8	1/16	71.0	55V21.2	\$ 536.00	F	B3	5/16	1-5/16	3-5/8	3/16	107.0
23.60	45V23.6	\$ 546.00	F	C3	1/8	7/8	3-5/8	7/16	98.0	55V23.6	\$ 586.00	F	B3	5/16	1-5/16	3-5/8	3/16	112.0
28.00	45V28.0	\$ 620.00	F	C3	1/8	7/8	3-5/8	7/16	114.0	55V28.0	\$ 660.00	F	B3	5/16	1-5/16	3-5/8	3/16	132.0
31.50	45V31.5	\$ 970.00	F	C3	1/8	7/8	3-5/8	7/16	142.0	55V31.5	\$1,080.00	J	C3	3/16	1	4-1/2	9/16	178.0
37.50	45V37.5	\$1,240.00	F	C3	1/8	7/8	3-5/8	7/16	171.0	55V37.5	\$1,380.00	J	C3	3/16	1	4-1/2	9/16	220.0
50.00	45V50.0	\$1,880.00	J	C3	1/2	11/16	4-1/2	15/16	253.0	55V50.0	\$1,920.00	J	C3	3/16	1	4-1/2	9/16	275.0

NOTE: Weight includes bushing with average bore size.

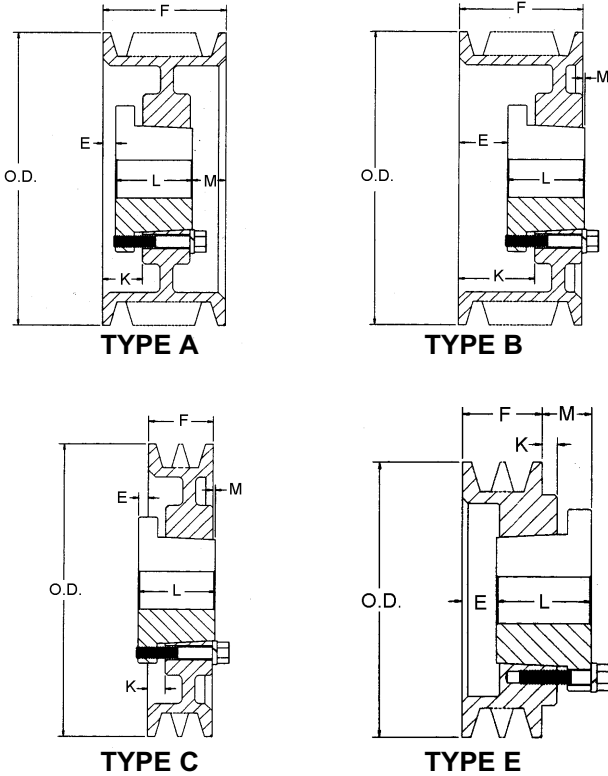
All Dimensions in Inches

**List Prices shown are for sheave only. Bushing list prices are shown in the front of Section C.



5V stock sheave dimensions super wedge sheave drives

Figure Following Letter in Column Headed "TYPE" in Table Below Indicates Sheave Construction
1 - Solid, No Web. 2 - Web. 3 - Arms



O.D.	PART NUMBER	LIST PRICE	6 GROOVE							
			F = 4-7/16							
			BUSH	TYPE	E	K	L	M	WT	
4.40	65V4.4	\$ 114.00	SD	E1	3-3/16	0	1-13/16	9/16	8.2	
4.65	65V4.65	\$ 120.00	SD	E1	3-3/16	0	1-13/16	9/16	9.1	
4.90	65V4.9	\$ 126.00	SD	A1	3/4	1-5/16	1-13/16	1-7/8	9.7	
5.20	65V5.2	\$ 132.00	SD	A1	3/4	1-5/16	1-13/16	1-7/8	11.0	
5.50	65V5.5	\$ 138.00	SD	A1	3/4	1-5/16	1-13/16	1-7/8	12.4	
5.90	65V5.9	\$ 144.00	SK	A1	11/16	1-5/16	1-7/8	1-7/8	14.0	
6.30	65V6.3	\$ 150.00	SK	A1	11/16	1-5/16	1-7/8	1-7/8	15.8	
6.70	65V6.7	\$ 154.00	SF	A1	1	1-5/8	2	1-7/16	18.2	
7.10	65V7.1	\$ 160.00	SF	A1	1	1-5/8	2	1-7/16	20.5	
7.50	65V7.5	\$ 176.00	SF	A1	1	1-5/8	2	1-7/16	23.5	
8.00	65V8.0	\$ 186.00	E	A1	1-1/8	2	2-5/8	11/16	32.0	
8.50	65V8.5	\$ 198.00	E	A1	1-1/8	2	2-5/8	11/16	34.5	
9.00	65V9.0	\$ 220.00	E	A1	1-1/8	2	2-5/8	11/16	38.0	
9.25	65V9.25	\$ 224.00	E	A1	1-1/8	2	2-5/8	11/16	40.0	
9.75	65V9.75	\$ 228.00	E	A1	1-1/8	2	2-5/8	11/16	44.3	
10.30	65V10.3	\$ 248.00	E	A2	1-1/8	2	2-5/8	11/16	43.5	
10.90	65V10.9	\$ 260.00	E	A2	1-1/8	2	2-5/8	11/16	48.3	
11.30	65V11.3	\$ 260.00	E	A2	1-1/8	2	2-5/8	11/16	47.8	
11.80	65V11.8	\$ 262.00	E	A2	1-1/8	2	2-5/8	11/16	49.0	
12.50	65V12.5	\$ 320.00	F	B2	1-1/16	2-1/16	3-5/8	1/4	68.0	
13.20	65V13.2	\$ 342.00	F	B2	1-1/16	2-1/16	3-5/8	1/4	68.0	
14.00	65V14.0	\$ 384.00	F	B2	1-1/16	2-1/16	3-5/8	1/4	73.0	
15.00	65V15.0	\$ 424.00	F	B3	1-1/16	2-1/16	3-5/8	1/4	75.0	
16.00	65V16.0	\$ 464.00	F	B3	1-1/16	2-1/16	3-5/8	1/4	91.0	
18.70	65V18.7	\$ 520.00	F	A3	5/16	1-5/16	3-5/8	1/2	95.0	
21.20	65V21.2	\$ 590.00	F	A3	5/16	1-5/16	4-1/2	1/2	116.0	
23.60	65V23.6	\$ 660.00	J	B3	1/8	1-5/16	4-1/2	3/16	134.0	
28.00	65V28.0	\$ 740.00	J	B3	1/8	1-5/16	4-1/2	3/16	153.0	
31.50	65V31.5	\$1,180.00	J	B3	1/8	1-5/16	4-1/2	3/16	200.0	
37.50	65V37.5	\$1,440.00	J	B3	1/8	1-5/16	4-1/2	3/16	235.0	
50.00	65V50.0	\$2,220.00	M	C3	15/16	1/2	6-3/4	1-3/8	363.0	

O.D.	PART NUMBER	LIST PRICE	8 GROOVE							PART NUMBER	LIST PRICE	10 GROOVE								
			F = 5-13/16									F = 7-3/16								
			BUSH	TYPE	E	K	L	M	WT			BUSH	TYPE	E	K	L	M	WT		
7.10	85V7.1	\$ 186.00	SF	A1	1-1/2	2-1/8	2	2-5/16	24.0											
7.50	85V7.5	\$ 206.00	SF	A1	1-1/2	2-1/8	2	2-5/16	27.3											
8.00	85V8.0	\$ 226.00	E	A1	1-5/8	2-1/2	2-5/8	1-9/16	35.5	105V8.0	\$ 252.00	E	A1	2-3/8	3-1/4	2-5/8	2-3/16	41.8		
8.50	85V8.5	\$ 248.00	E	A1	1-5/8	2-1/2	2-5/8	1-9/16	39.0	105V8.5	\$ 272.00	E	A1	2-3/8	3-1/4	2-5/8	2-3/16	44.0		
9.00	85V9.0	\$ 268.00	E	A1	1-5/8	2-1/2	2-5/8	1-9/16	43.0	105V9.0	\$ 300.00	F	A1	2-5/16	3-5/16	3-5/8	1-1/4	57.0		
9.25	85V9.25	\$ 300.00	F	A1	1-9/16	2-9/16	3-5/8	5/8	55.0	105V9.25	\$ 304.00	F	A1	2-5/16	3-5/16	3-5/8	1-1/4	60.0		
9.75	85V9.75	\$ 320.00	F	A1	1-9/16	2-9/16	3-5/8	5/8	57.5	105V9.75	\$ 360.00	F	A1	2-5/16	3-5/16	3-5/8	1-1/4	64.0		
10.30	85V10.3	\$ 340.00	F	A1	1-9/16	2-9/16	3-5/8	5/8	60.0	105V10.3	\$ 372.00	F	A1	2-5/16	3-5/16	3-5/8	1-1/4	66.0		
10.90	85V10.9	\$ 348.00	F	A1	1-9/16	2-9/16	3-5/8	5/8	65.0	105V10.9	\$ 384.00	F	A1	2-5/16	3-5/16	3-5/8	1-1/4	72.0		
11.30	85V11.3	\$ 356.00	F	A1	1-9/16	2-9/16	3-5/8	5/8	76.9	105V11.3	\$ 440.00	F	A1	2-5/16	3-5/16	3-5/8	1-1/4	84.0		
11.80	85V11.8	\$ 374.00	F	A2	1-9/16	2-9/16	3-5/8	5/8	67.0	105V11.8	\$ 480.00	F	A2	2-5/16	3-5/16	3-5/8	1-1/4	80.0		
12.50	85V12.5	\$ 388.00	F	A2	1-9/16	2-9/16	3-5/8	5/8	76.0	105V12.5	\$ 500.00	J	A2	2-3/8	3-9/16	4-1/2	5/16	111.0		
13.20	85V13.2	\$ 440.00	F	A2	1-9/16	2-9/16	3-5/8	5/8	76.8	105V13.2	\$ 580.00	J	A2	2-3/8	3-9/16	4-1/2	5/16	105.0		
14.00	85V14.0	\$ 480.00	F	A2	1-9/16	2-9/16	3-5/8	5/8	77.0	105V14.0	\$ 640.00	J	A2	2-3/8	3-9/16	4-1/2	5/16	108.0		
15.00	85V15.0	\$ 560.00	F	A3	1-9/16	2-9/16	3-5/8	5/8	85.0	105V15.0	\$ 720.00	J	A2	2-3/8	3-9/16	4-1/2	5/16	120.0		
16.00	85V16.0	\$ 640.00	F	A3	1-9/16	2-9/16	3-5/8	5/8	90.0	105V16.0	\$ 780.00	J	A3	2-3/8	3-9/16	4-1/2	5/16	160.0		
18.70	85V18.7	\$ 700.00	J	A3	3/8	1-9/16	4-1/2	15/16	174.0	105V18.7	\$ 860.00	J	A3	3/8	1-9/16	4-1/2	2-5/16	140.0		
21.20	85V21.2	\$ 760.00	J	A3	3/8	1-9/16	4-1/2	15/16	163.0	105V21.2	\$ 960.00	J	A3	3/8	1-9/16	4-1/2	2-5/16	185.0		
23.60	85V23.6	\$ 840.00	J	A3	3/8	1-9/16	4-1/2	15/16	158.0	105V23.6	\$1,040.00	M	B3	1/2	1-15/16	6-3/4	1/16	235.0		
28.00	85V28.0	\$1,020.00	J	A3	3/8	1-9/16	4-1/2	15/16	180.0	105V28.0	\$1,280.00	M	B3	1/2	1-15/16	6-3/4	1/16	260.0		
31.50	85V31.5	\$1,440.00	M	B3	1/2	1-15/16	6-3/4	1-7/16	300.0	105V31.5	\$1,560.00	M	B3	1/2	1-15/16	6-3/4	1/16	325.0		
37.50	85V37.5	\$1,780.00	M	B3	1/2	1-15/16	6-3/4	1-7/16	342.0	105V37.5	\$1,840.00	M	B3	1/2	1-15/16	6-3/4	1/16	375.0		
50.00	85V50.0	\$2,440.00	M	B3	1/2	1-15/16	6-3/4	1-7/16	420.0	105V50.0	\$2,580.00	M	B3	1/2	1-15/16	6-3/4	1/16	472.0		

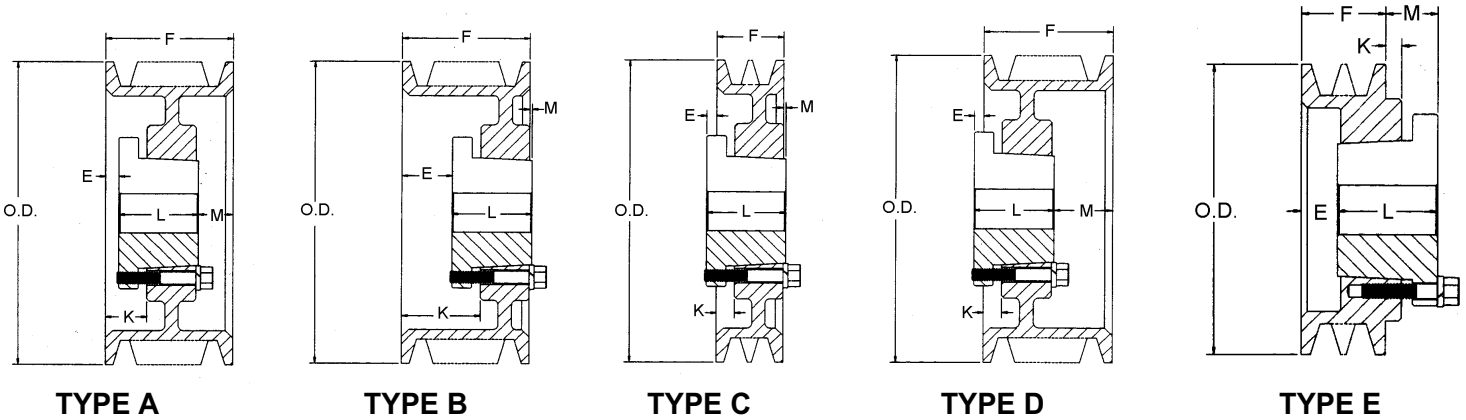
NOTE: Weight includes bushing with average bore size.

All Dimensions in Inches

**List Prices shown are for sheave only. Bushing list prices are shown in the front of Section C.



8V stock sheave dimensions super wedge sheave drives



Part Number Explanation

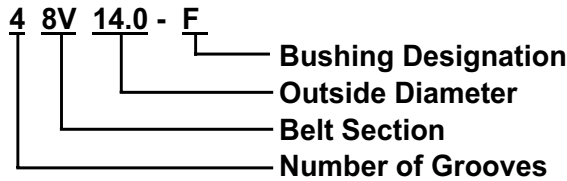


Figure Following Letter in Column Headed "TYPE" in Table Below Indicates Sheave Construction
1 - Solid, No Web. 2 - Web. 3 - Arms

O.D.	PART NUMBER	LIST PRICE	4 GROOVE							PART NUMBER	LIST PRICE	5 GROOVE						
			F = 4-7/8									F = 6						
			BUSH	TYPE	E	K	L	M	WT			BUSH	TYPE	E	K	L	M	WT
12.5	48V12.5	\$ 544.00	F	A1	1/8	1-3/16	3-5/8	1-1/8	85.5	58V12.5	\$ 588.00	F	A1	1-1/4	2-5/16	3-5/8	1-1/8	93.3
13.2	48V13.2	\$ 552.00	F	A2	1/8	1-3/16	3-5/8	1-1/8	78.4	58V13.2	\$ 618.00	F	A2	1-1/4	2-5/16	3-5/8	1-1/8	88.2
14.0	48V14.0	\$ 560.00	F	A2	1/8	1-3/16	3-5/8	1-1/8	84.5	58V14.0	\$ 660.00	F	A2	1-1/4	2-5/16	3-5/8	1-1/8	95.2
15.0	48V15.0	\$ 596.00	F	A2	1/8	1-3/16	3-5/8	1-1/8	92.6	58V15.0	\$ 700.00	F	A2	1-1/4	2-5/16	3-5/8	1-1/8	104.7
16.0	48V16.0	\$ 660.00	F	A2	1/8	1-3/16	3-5/8	1-1/8	98.8	58V16.0	\$ 740.00	F	A2	1-1/4	2-5/16	3-5/8	1-1/8	112.1
17.0	48V17.0	\$ 720.00	F	A2	1/8	1-3/16	3-5/8	1-1/8	109.4	58V17.0	\$ 846.00	J	A2	3/4	2	4-1/2	3/4	141.0
18.0	48V18.0	\$ 760.00	F	A2	1/8	1-3/16	3-5/8	1-1/8	118.1	58V18.0	\$ 900.00	J	A2	3/4	2	4-1/2	3/4	157.0
19.0	48V19.0	\$ 790.00	F	A2	1/8	1-3/16	3-5/8	1-1/8	128.3	58V19.0	\$ 960.00	J	A2	3/4	2	4-1/2	3/4	169.0
20.0	48V20.0	\$ 820.00	J	A3	3/16	1-7/16	4-1/2	3/16	128.3	58V20.0	\$ 990.00	J	A2	3/4	2	4-1/2	3/4	167.5
21.2	48V21.2	\$ 840.00	J	A3	3/16	1-7/16	4-1/2	3/16	142.8	58V21.2	\$ 1,150.00	J	A2	3/4	2	4-1/2	3/4	183.8
22.4	48V22.4	\$ 886.00	J	A3	3/16	1-7/16	4-1/2	3/16	154.2	58V22.4	\$ 1,310.00	M	B2	15/32	1-15/16	6-3/4	1-7/32	276.3
24.8	48V24.8	\$ 1,190.00	M	C3	21/32	13/16	6-3/4	1-7/32	247.5	58V24.8	\$ 1,390.00	M	B3	15/32	1-15/16	6-3/4	1-7/32	266.5
30.0	48V30.0	\$ 1,350.00	M	C3	21/32	13/16	6-3/4	1-7/32	286.7	58V30.0	\$ 1,570.00	M	B3	15/32	1-15/16	6-3/4	1-7/32	327.6
35.5	48V35.5	\$ 1,790.00	M	C3	21/32	13/16	6-3/4	1-7/32	342.0	58V35.5	\$ 1,990.00	M	B3	15/32	1-15/16	6-3/4	1-7/32	404.0
40.0	48V40.0	\$ 1,970.00	M	C3	21/32	13/16	6-3/4	1-7/32	407.6	58V40.0	\$ 2,240.00	M	B3	15/32	1-15/16	6-3/4	1-7/32	441.0
44.5	48V44.5	\$ 2,590.00	M	C3	21/32	13/16	6-3/4	1-7/32	461.0	58V44.5	\$ 2,990.00	N	C3	3/4	15/16	8-1/8	1-3/8	580.5
53.0	48V53.0	\$ 3,240.00	M	C3	21/32	13/16	6-3/4	1-7/32	557.0	58V53.0	\$ 3,480.00	N	C3	3/4	15/16	8-1/8	1-3/8	688.0

NOTE: Weight includes bushing with average bore size.

**List Prices shown are for sheave only. Bushing list prices are shown in the front of Section C.

All Dimensions in Inches



8V stock sheave dimensions super wedge sheave drives

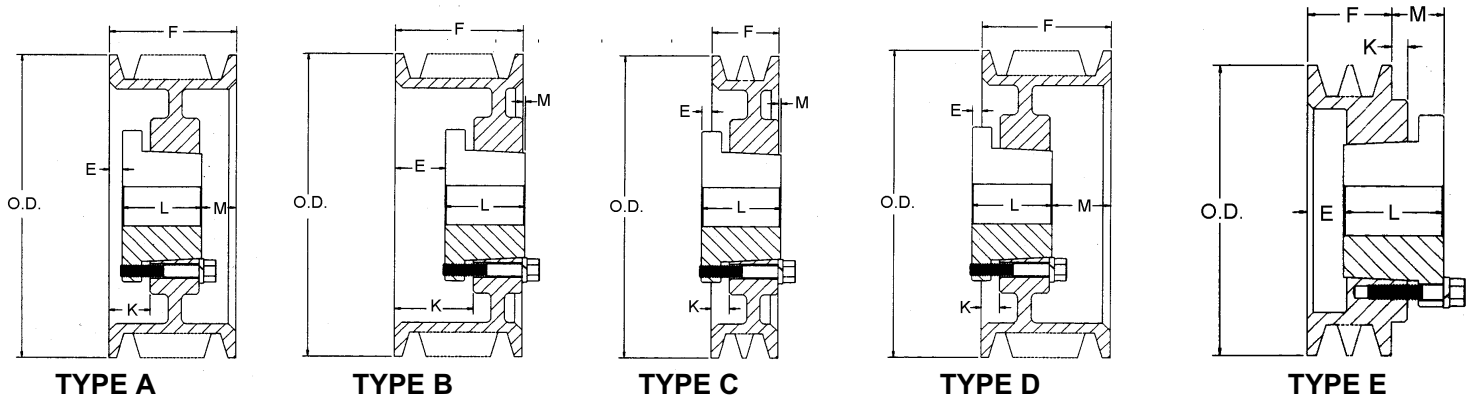


Figure Following Letter in Column Headed "TYPE" in Table Below Indicates Sheave Construction
1 - Solid, No Web. 2 - Web. 3 - Arms

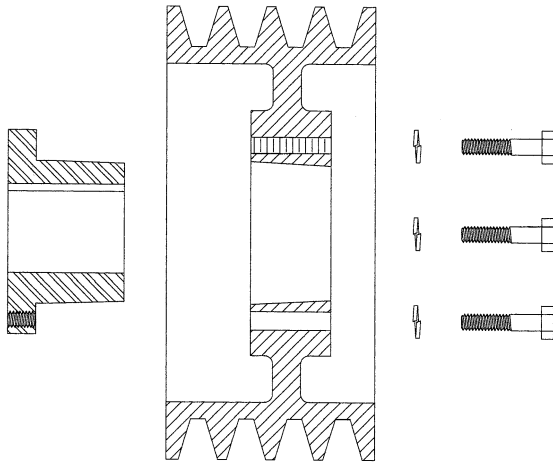
O.D.	PART NUMBER	LIST PRICE	6 GROOVE							PART NUMBER	LIST PRICE	8 GROOVE						
			F = 7-1/8									F = 9-3/8						
			BUSH	TYPE	E	K	L	M	WT			BUSH	TYPE	E	K	L	M	WT
12.5	68V12.5	\$ 618.00	F	A1	1-1/4	2-5/16	3-5/8	2-1/4	100.9	88V12.5	\$ 780.00	J	A1	2-5/16	3-9/16	4-1/2	2-9/16	129.1
13.2	68V13.2	\$ 660.00	F	A2	1-1/4	2-5/16	3-5/8	2-1/4	96.6	88V13.2	\$ 824.00	J	A1	2-5/16	3-9/16	4-1/2	2-9/16	144.5
14.0	68V14.0	\$ 722.00	F	A2	1-1/4	2-5/16	3-5/8	2-1/4	104.1	88V14.0	\$ 866.00	J	A2	2-5/16	3-9/16	4-1/2	2-9/16	136.6
15.0	68V15.0	\$ 774.00	J	A2	1-5/16	2-9/16	4-1/2	1-5/16	127.2	88V15.0	\$ 928.00	J	A2	2-5/16	3-9/16	4-1/2	2-9/16	146.5
16.0	68V16.0	\$ 824.00	J	A2	1-5/16	2-9/16	4-1/2	1-5/16	143.5	88V16.0	\$ 1,010.00	J	A2	2-5/16	3-9/16	4-1/2	2-9/16	164.5
17.0	68V17.0	\$ 928.00	J	A2	1-5/16	2-9/16	4-1/2	1-5/16	153.0	88V17.0	\$ 1,124.00	M	A2	2-15/32	3-15/16	6-3/4	5/32	244.1
18.0	68V18.0	\$ 1,000.00	J	A2	1-5/16	2-9/16	4-1/2	1-5/16	169.0	88V18.0	\$ 1,200.00	M	A2	2-15/32	3-15/16	6-3/4	5/32	257.0
19.0	68V19.0	\$ 1,040.00	J	A2	1-5/16	2-9/16	4-1/2	1-5/16	182.0	88V19.0	\$ 1,240.00	M	A2	2-15/32	3-15/16	6-3/4	5/32	280.0
20.0	68V20.0	\$ 1,190.00	M	B2	1-15/32	2-15/16	6-3/4	1-3/32	242.8	88V20.0	\$ 1,280.00	M	A2	2-15/32	3-15/16	6-3/4	5/32	292.6
21.2	68V21.2	\$ 1,320.00	M	B2	1-15/32	2-15/16	6-3/4	1-3/32	263.3	88V21.2	\$ 1,380.00	M	A2	2-15/32	3-15/16	6-3/4	5/32	314.0
22.4	68V22.4	\$ 1,560.00	M	B2	1-15/32	2-15/16	6-3/4	1-3/32	280.9	88V22.4	\$ 1,590.00	M	A2	2-15/32	3-15/16	6-3/4	5/32	345.7
24.8	68V24.8	\$ 1,590.00	M	B3	15/32	1-15/16	6-3/4	3/32	285.5	88V24.8	\$ 1,790.00	N	A3	9/16	2-1/4	8-1/8	11/16	423.7
30.0	68V30.0	\$ 1,610.00	M	B3	15/32	1-15/16	6-3/4	3/32	354.4	88V30.0	\$ 1,840.00	N	A3	9/16	2-1/4	8-1/8	11/16	468.9
35.5	68V35.5	\$ 2,190.00	N	C3	9/16	1-1/8	8-1/8	7/16	537.0	88V35.5	\$ 2,390.00	N	A3	9/16	2-1/4	8-1/8	11/16	588.0
40.0	68V40.0	\$ 2,440.00	N	C3	9/16	1-1/8	8-1/8	7/16	549.9	88V40.0	\$ 2,640.00	N	A3	9/16	2-1/4	8-1/8	11/16	663.0
44.5	68V44.5	\$ 3,390.00	N	C3	9/16	1-1/8	8-1/8	7/16	619.5	88V44.5	\$ 3,790.00	P	B3	3/4	2-5/8	9-3/8	3/4	860.0
53.0	68V53.0	\$ 3,720.00	N	C3	9/16	1-1/8	8-1/8	7/16	768.0	88V53.0	\$ 3,960.00	P	B3	3/4	2-5/8	9-3/8	3/4	992.0
63.0	68V63.0	\$ 6,190.00	P	B3	1/8	2	9-3/8	2-3/8	1027.0	88V63.0	\$ 6,990.00	P	B3	3/4	2-5/8	9-3/8	3/4	1262.0
71.0	68V71.0	\$ 9,000.00	P	B3	1/8	2	9-3/8	2-3/8	1200.0	88V71.0	\$10,000.00	W	B3	0	2-1/4	11-3/8	2	1725.0

O.D.	PART NUMBER	LIST PRICE	10 GROOVE							PART NUMBER	LIST PRICE	12 GROOVE						
			F = 11-5/8									F = 13-7/8						
			BUSH	TYPE	E	K	L	M	WT			BUSH	TYPE	E	K	L	M	WT
12.5	108V12.5	\$ 948.00	J	A1	2-5/16	3-9/16	4-1/4	4-13/16	148.9	128V12.5	\$ 2,080.00	M	A1	2-15/32	3-15/16	6-3/4	4-21/32	198.0
13.2	108V13.2	\$ 1,114.00	J	A2	2-5/16	3-9/16	4-1/2	4-13/16	148.6	128V13.2	\$ 2,120.00	M	A1	2-15/32	3-15/16	6-3/4	4-21/32	225.0
14.0	108V14.0	\$ 1,278.00	J	A2	2-5/16	3-9/16	4-1/2	4-13/16	161.0	128V14.0	\$ 2,160.00	M	A1	2-15/32	3-15/16	6-3/4	4-21/32	245.8
15.0	108V15.0	\$ 1,442.00	M	A1	2-15/32	3-15/16	6-3/4	2-13/32	264.0	128V15.0	\$ 2,200.00	M	A1	2-15/32	3-15/16	6-3/4	4-21/32	285.5
16.0	108V16.0	\$ 1,608.00	M	A2	2-15/32	3-15/16	6-3/4	2-13/32	296.7	128V16.0	\$ 2,240.00	M	A1	2-15/32	3-15/16	6-3/4	4-21/32	324.0
17.0	108V17.0	\$ 1,648.00	M	A2	2-15/32	3-15/16	6-3/4	2-13/32	269.1	128V17.0	\$ 2,280.00	M	A2	2-15/32	3-15/16	6-3/4	4-21/32	324.0
18.0	108V18.0	\$ 1,720.00	M	A2	2-15/32	3-15/16	6-3/4	2-13/32	295.0	128V18.0	\$ 2,320.00	M	A2	2-15/32	3-15/16	6-3/4	4-21/32	338.0
19.0	108V19.0	\$ 1,760.00	M	A2	2-15/32	3-15/16	6-3/4	2-13/32	318.0	128V19.0	\$ 2,400.00	N	A2	9/16	2-1/4	8-1/8	5-3/16	412.0
20.0	108V20.0	\$ 1,860.00	M	A2	2-15/32	3-15/16	6-3/4	2-13/32	318.6	128V20.0	\$ 2,480.00	N	A2	9/16	2-1/4	8-1/8	5-3/16	411.0
21.2	108V21.2	\$ 2,040.00	M	A2	2-15/32	3-15/16	6-3/4	2-13/32	340.7	128V21.2	\$ 2,560.00	N	A2	9/16	2-1/4	8-1/8	5-3/16	421.0
22.4	108V22.4	\$ 2,246.00	N	A2	9/16	2-1/4	8-1/8	2-15/16	411.1	128V22.4	\$ 2,640.00	N	A2	9/16	2-1/4	8-1/8	5-3/16	478.0
24.8	108V24.8	\$ 2,290.00	N	A2	9/16	2-1/4	8-1/8	2-15/16	463.0	128V24.8	\$ 3,000.00	N	A2	9/16	2-1/4	8-1/8	5-3/16	516.5
30.0	108V30.0	\$ 2,350.00	N	A3	9/16	2-1/4	8-1/8	2-15/16	557.5	128V30.0	\$ 3,380.00	P	A3	3/4	2-5/8	9-3/8	3-3/4	672.1
35.5	108V35.5	\$ 2,790.00	P	A3	3/4	2-5/8	9-3/8	1-1/2	727.0	128V35.5	\$ 3,660.00	P	A3	3/4	2-5/8	9-3/8	3-3/4	837.0
40.0	108V40.0	\$ 3,140.00	P	A3	3/4	2-5/8	9-3/8	1-1/2	817.9	128V40.0	\$ 3,960.00	P	A3	3/4	2-5/8	9-3/8	3-3/4	909.5
44.5	108V44.5	\$ 4,190.00	P	A3	3/4	2-5/8	9-3/8	1-1/2	927.0	128V44.5	\$ 4,880.00	P	A3	3/4	2-5/8	9-3/8	3-3/4	1097.0
53.0	108V53.0	\$ 5,000.00	P	A3	3/4	2-5/8	9-3/8	1-1/2	1137.0	128V53.0	\$ 8,000.00	W	A3	5/8	2-7/8	11-3/8	1-7/8	1482.0
63.0	108V63.0	\$ 9,000.00	W	B3	3/8	2-5/8	11-3/8	1/8	1652.0	128V63.0	\$10,000.00	W	A3	5/8	2-7/8	11-3/8	1-7/8	1777.0
71.0	108V71.0	\$11,500.00	W	B3	3/8	2-5/8	11-3/8	1/8	1865.0	128V71.0	\$13,000.00	W	A3	5/8	2-7/8	11-3/8	1-7/8	2180.0

NOTE: Weight includes bushing with average bore size.

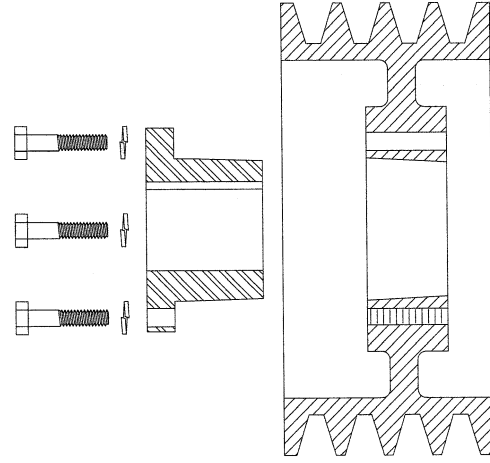
**List Prices shown are for sheave only. Bushing list prices are shown in the front of Section C.

All Dimensions in Inches



STANDARD MOUNTING ASSEMBLY

Fig. 1



REVERSE MOUNTING ASSEMBLY

Fig. 2

INSTALLATION AND REMOVAL OF QD SHEAVES

INSTALLATION

1. Make sure the bore of the sheave and the tapered cone surface of the bushing are free of all the foreign substances such as paint, dirt, lubricants, etc. Do not use lubricants on installation.
2. Assemble bushings and sheave as shown above in Figures 1 and 2, whichever applies. With cap screws loosely inserted, the bushing remains fully expanded to assume a sliding fit on the shaft. Note: When installing bushings M thru S, locate the extra holes in the hub as far as possible from the bushing's saw cut in order to reduce the possibility of bushing flange breakage. **CAUTION: Do not use lubricants on screw threads or tapered surfaces**
3. With key on shaft, slide sheave assembly to its desired position with cap screw heads on outside. (Exception: Some shaft lengths may require the sheaves to be reversed with the cap screw heads to the inside - see Figure 2.)
4. Line up the sheave assembly and tighten cap screws evenly and progressively to the torque value listed in the table. Never allow the sheave to be drawn in contact with the bushing flange. There should be a gap of 1/8" to 1/4" between the sheave hub and the bushing flange. If the gap is closed, the shaft is seriously undersize.
5. Tighten the set screw to hold the key securely on the shaft during operation.

CAUTION: When mounting a "FUL-GRIP" bushing, the tightening force of the screws is multiplied many times by the wedging action of the tapered surface. This action compresses the bushing for a snug fit on the shaft. If extreme screw tightening force or lubricants are applied in mounting the "FUL-GRIP" bushing, bursting pressures will be created in the hub of the mounted sheave which may cause it to crack.

Refer to the recommended torque ratings

REMOVAL

1. Loosen and remove cap screws.
2. Insert cap screws in tapered removal holes and starting with bolt farthest from sawnut on bushing, tighten evenly and progressively until sheave is loose on bushing. If sheaves in Figure 2 are installed with cap screw heads next to motor, loosen cap screws and use a wedge between the bushing and the sheave.
3. Remove sheave and bushing

CAUTION: Excessive or unequal pressure on the jack screws can break the bushing flange

Bushing	Wrench Torque (In.-Lbs)	Wrench Length (Inches)	Wrench Pull (Pounds)
JA	60	4	15
SH	108	4	27
SDS	108	4	27
SDS	108	4	27
SK	180	6	30
SF	360	6	60
E	720	12	60
F	900	12	75
J	1620	12	135
M	2700	15	180
N	3600	15	240
P	5400	18	300



TIMING BELT PULLEYS AND SPROCKETS



Space Saving Design

When compared to other belt systems, Maurey Timing Belt Drives permit a narrower drive, reducing the cost of the drive by cutting component costs.

Performance Advantages

Maurey Timing Belt Drives provide a reliable, economical and trouble-free alternative to transmit power and reduce drive weight and cost when compared to chain drives and other types of belt drives.

Wide Range of Load Capacities

Maurey Timing Belt Drives are designed for high capacity performance exceeding the traditional limitations of chain and belt drives. The load capacity varies from fractional horsepower to more than 600 H.P.

Alterations

Maurey will customize your Timing Belt component needs to suit the application in which it is used. See list prices for below for various alteration charges.

Rebore Minimum Plain Bore - List Price \$40.00

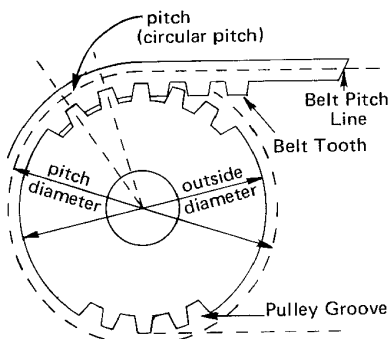
Keyway - List Price \$9.00

Set Screw - List Price \$9.00

Contact Maurey Customer Service for quantity breaks for alterations.

POSITIVE DRIVE PULLEYS

Maurey Positive Drive Pulleys are made in five stock pitches to conform with the five stock pitches of belts. They are available in a wide range of stock widths and diameters. On the belt, pitch is the distance between the tooth centers on the pitch line of the belt. On the pulley, pitch is the distance between groove centers and is measured on the pulley pitch circle.



HIGH TORQUE DRIVE SPROCKETS

Available For Belts 8mm and 14mm in Pitch

Engineered for Durability

High Torque Sprocket Drives are designed to minimize interference between the belt and sprocket during mesh, providing greater horsepower without slippage or speed variation. By designing belt teeth to disperse critical stresses, belt performance is improved, assuring longer belt life.

Part Number Description

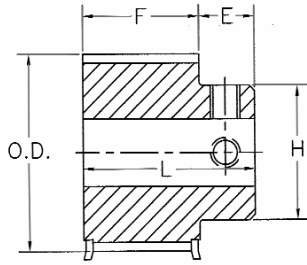
P 26 8M 20 JA

- Requires JA Bushing
- Width
- Pitch
- Number of Teeth

maurey

1/5" pitch (XL) stock pulley dimensions positive drive pulleys

TYPE M



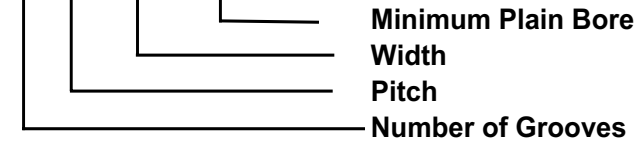
ALL "XL" PULLEYS ARE DRILLED AND TAPPED. TWO SET SCREWS ARE INCLUDED NOT INSTALLED.

TYPE MF

Figure Following Letter in Column Headed "TYPE" in Table Below Indicates Sheave Construction
1 - Solid, No Web. 2 - Web. 3 - Arms "F" Indicates Flanged Pulley

Part Number Explanation

12 XL 037 - MPB



Pulleys stocked in 3/8 inch (XL037) width only. For belts 1/4 inch (XL025), 5/16 inch (XL031), and 3/8 inch (XL037) wide.

Steel Part Number	Steel List Price	Aluminum Part Number	Aluminum List Price	Number of Grooves	Pitch Diameter	Outside Diameter		Type	Dimensions, Inches				Bore Range		Steel Weight Lbs (Approx.)	Aluminum Weight Lbs (Approx.)
						Pulley	Flange		E	L	H	F	Min ▲	Max □		
10XL037MPB	\$ 9.00			10	.637	.617	29/32	M1F	7/32	25/32	7/16	9/16	3/16	1/4	.03	
11XL037MPB	\$ 9.40			11	.700	.680	29/32	M1F	7/32	25/32	7/16	9/16	3/16	1/4	.03	
12XL037MPB	\$ 9.70	12AXL037MPB	\$ 17.20	12	.764	.744	31/32	M1F	7/32	25/32	1/2	9/16	3/16	5/16	.06	.03
14XL037MPB	\$ 11.60	14AXL037MPB	\$ 17.40	14	.891	.871	1-7/64	M1F	7/32	25/32	9/16	9/16	1/4	3/8	.06	.05
15XL037MPB	\$ 12.00	15AXL037MPB	\$ 17.60	15	.955	.935	1-3/16	M1F	7/32	25/32	5/8	9/16	1/4	7/16	.09	.06
16XL037MPB	\$ 12.70	16AXL037MPB	\$ 17.80	16	1.019	.999	1-1/4	M1F	7/32	25/32	11/16	9/16	1/4	3/8	.09	.06
18XL037MPB	\$ 14.20	18AXL037MPB	\$ 18.00	18	1.146	1.126	1-3/8	M1F	7/32	25/32	13/16	9/16	1/4	9/16	.13	.09
20XL037MPB	\$ 15.00	20AXL037MPB	\$ 18.40	20	1.273	1.253	1-1/2	M1F	5/16	7/8	15/16	9/16	1/4	11/16	.19	.12
21XL037MPB	\$ 16.10	21AXL037MPB	\$ 18.80	21	1.377	1.317	1-9/16	M1F	5/16	7/8	15/16	9/16	1/4	11/16	.19	.12
22XL037MPB	\$ 16.50	22AXL037MPB	\$ 19.20	22	1.401	1.381	1-5/8	M1F	5/16	7/8	1	9/16	1/4	3/4	.22	.12
24XL037MPB	\$ 18.40	24AXL037MPB	\$ 19.40	24	1.528	1.508	1-3/4	M1F	5/16	7/8	1-1/16	9/16	1/4	13/16	.25	.15
28XL037MPB	\$ 21.00	28AXL037MPB	\$ 23.10	28	1.783	1.763	2	M1F	5/16	7/8	1-3/16	9/16	1/4	15/16	.34	.21
30XL037MPB	\$ 22.10	30AXL037MPB	\$ 24.32	30	1.910	1.890	2-1/8	M1F	5/16	7/8	1-3/8	9/16	5/16	1-1/16	.41	.22
32XL037MPB	\$ 22.50	32AXL037MPB	\$ 24.76	32	2.037	2.017		M1	7/16	1	1-1/2	9/16	5/16	1-3/16	.53	.25
36XL037MPB	\$ 22.80	36AXL037MPB	\$ 25.08	36	2.292	2.272		M1	7/16	1	1-1/2	9/16	5/16	1-3/16	.75	.30
40XL037MPB	\$ 23.30	40AXL037MPB	\$ 25.64	40	2.546	2.526		M1	7/16	1	1-1/2	9/16	5/16	1-3/16	.90	.31
42XL037MPB	\$ 23.60	42AXL037MPB	\$ 25.96	42	2.674	2.654		M2/M1*	7/16	1	1-5/8	9/16	5/16	1-3/16	1.06	.31
44XL037MPB	\$ 24.40	44AXL037MPB	\$ 26.84	44	2.801	2.781		M2/M1*	7/16	1	1-5/8	9/16	5/16	1-3/16	1.31	.31
48XL037MPB	\$ 25.90	48AXL037MPB	\$ 28.50	48	3.056	3.036		M2	7/16	1	1-5/8	9/16	5/16	1-3/16	1.50	.38
60XL037MPB	\$ 31.10	60AXL037MPB	\$ 34.22	60	3.820	3.800		M2	7/16	1	1-5/8	9/16	3/8	1-3/16	1.40	.38
72XL037MPB	\$ 39.00	72AXL037MPB	\$ 42.90	72	4.584	4.564		M2	7/16	1	1-5/8	9/16	3/8	1-3/16	1.75	.50

▲ Minimum plain bore only carried in stock

□ Maximum bore possible without keyseat

* Aluminum in this size is M1 style



3/8" pitch (L) stock pulley dimensions positive drive pulleys

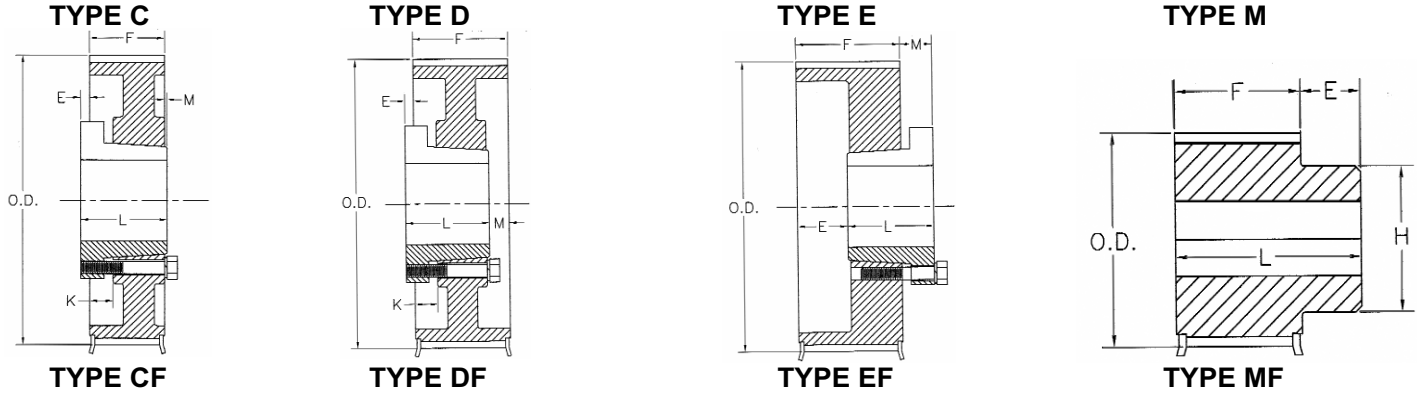
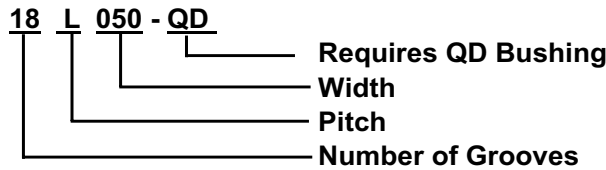


Figure Following Letter in Column Headed "TYPE" in Table Below Indicates Sheave Construction
1 - Solid, No Web. 2 - Web. 3 - Arms "F" Indicates Flanged Pulley

Part Number Explanation



FOR BELTS 1/2 INCH WIDE • 3/8 INCH PITCH (L050)

Part Number	List Price	Number of Grooves	Pitch Diameter	Outside Diameter		Bush	Type*	Dimensions, Inches						Bore Range		Weight Lbs □ (Approx.)
				Pulley	Flange			E	L	M	K	H	F	Min	Max •	
10L050MPB	\$ 14.60	10	1.194	1.164	1-7/16	*	M1F	3/8	1-1/8			13/16	3/4	3/8	9/16	.28
12L050MPB	\$ 16.10	12	1.432	1.402	1-11/16	*	M1F	1/2	1-1/4			1-1/16	3/4	3/8	13/16	.30
13L050MPB	\$ 17.20	13	1.552	1.522	1-3/4	*	M1F	1/2	1-1/4			1-1/8	3/4	3/8	13/16	.35
14L050MPB	\$ 18.80	14	1.671	1.641	1-15/16	*	M1F	5/8	1-1/4			1-1/8	3/4	3/8	7/8	.40
15L050MPB	\$ 19.50	15	1.790	1.760	1-15/16	*	M1F	1/2	1-1/4			1-1/8	3/4	1/2	15/16	.50
16L050MPB	\$ 20.60	16	1.910	1.880	2-3/16	*	M1F	5/8	1-3/8			1-7/16	3/4	1/2	1-1/8	.60
17L050MPB	\$ 21.80	17	2.029	1.999	2-3/16	*	M1F	5/8	1-3/8			1-7/16	3/4	1/2	1-1/8	.65
18L050MPB	\$ 24.80	18	2.149	2.119	2-3/8	*	M1F	5/8	1-3/8			1-9/16	3/4	1/2	1-3/16	.75
18L050QD	\$ 28.80	18	2.149	2.119	2-3/8	JA	E1F	3/16	1	7/16		3/4	1/2	1-3/16	.40	
19L050MPB	\$ 26.60	19	2.268	2.238	2-3/8	*	M1F	5/8	1-3/8			1-5/8	3/4	1/2	1-3/16	.80
20L050MPB	\$ 27.00	20	2.837	2.357	2-5/8	*	M1F	5/8	1-3/8			1-11/16	3/4	1/2	1-1/4	.94
20L050QD	\$ 29.60	20	2.837	2.357	2-5/8	JA	E1F	3/16	1	7/16		3/4	1/2	1-3/16	.50	
21L050MPB	\$ 27.40	21	2.507	2.477	2-3/4	*	M1F	11/16	1-7/16			1-7/8	3/4	1/2	1-5/16	1.0
22L050MPB	\$ 29.20	22	2.626	2.596	3	*	M1F	3/4	1-1/2			2	3/4	1/2	1-1/2	1.1
22L050QD	\$ 31.20	22	2.626	2.596	3	JA	E1F	3/16	1	7/16		3/4	1/2	1-3/16	.70	
24L050MPB	\$ 31.90	24	2.865	2.835	3-1/4	*	M1F	3/4	1-1/2			2-1/4	3/4	1/2	1-5/8	1.6
24L050QD	\$ 29.20	24	2.865	2.835	3-1/4	SH	E1F	0	1-1/4	1/2		3/4	1/2	1-5/8	.70	
26L050MPB	\$ 34.50	26	3.104	3.074	3-5/16	*	M1F	3/4	1-1/2			2-1/4	3/4	1/2	1-5/8	2.3
26L050QD	\$ 30.40	26	3.104	3.074	3-5/16	SH	C1F	1/2	1-1/4	0	0	3/4	1/2	1-5/8	1.0	
28L050MPB	\$ 37.10	28	3.342	3.312	3-9/16	*	M1F	3/4	1-1/2			2-1/4	3/4	1/2	1-5/8	2.5
28L050QD	\$ 33.00	28	3.342	3.312	3-9/16	SH	C1F	1/2	1-1/4	0	0	3/4	1/2	1-5/8	1.1	
30L050MPB	\$ 41.60	30	3.581	3.551	3-3/4	*	M1F	3/4	1-1/2			2-1/4	3/4	1/2	1-5/8	2.7
30L050QD	\$ 33.40	30	3.581	3.551	3-3/4	SDS	C1F	9/16	1-5/16	0	0	3/4	1/2	1-15/16	1.1	
32L050MPB	\$ 45.40	32	3.820	3.790	4	*	M1F	7/8	1-5/8			2-9/16	3/4	1/2	1-7/8	3.0
32L050QD	\$ 36.40	32	3.820	3.790	4	SDS	C1F	9/16	1-5/16	0	0	3/4	1/2	1-15/16	1.4	
36L050QD	\$ 60.80	36	4.297	4.267	4-17/32	SDS	C1F	9/16	1-5/16	0	0	3/4	1/2	1-15/16	2.0	
40L050QD	\$ 66.80	40	4.775	4.745	5	SDS	D1F	9/16	1-5/16	0	0	3/4	1/2	1-15/16	2.8	
44L050QD	\$ 68.60	44	5.252	5.222	5-31/64	SDS	C1F	9/16	1-5/16	0	0	3/4	1/2	1-15/16	3.6	
48L050QD	\$ 80.60	48	5.730	5.700	6	SDS	D1F	9/16	1-5/16	0	0	3/4	1/2	1-15/16	4.4	
60L050QD	\$ 82.80	60	7.162	7.132		SD	C3	13/16	1-13/16	1/4	+1/4	3/4	1/2	1-15/16	4.2	
72L050QD	\$ 84.80	72	8.594	8.564		SD	C3	13/16	1-13/16	1/4	+1/4	3/4	1/2	1-15/16	6.6	
84L050QD	\$ 91.20	84	10.027	9.997		SD	C3	13/16	1-13/16	1/4	+1/4	3/4	1/2	1-15/16	5.8	
96L050QD	\$ 96.60	96	11.459	11.429		SD	C3	13/16	1-13/16	1/4	+1/4	3/4	1/2	1-15/16	7.4	
120L050QD	\$ 105.60	120	14.324	14.294		SD	C3	13/16	1-13/16	1/4	+1/4	3/4	1/2	1-15/16	10.0	

*Bored to suit construction (Type M) minimum plain bore only carried in stock □ Weight shown is for pulley without bushing
• Maximum bore without keyway ** List Prices Shown are for Sheave Only. Bushing list prices are shown at the front of Section C.



3/8" pitch (L) stock pulley dimensions positive drive pulleys

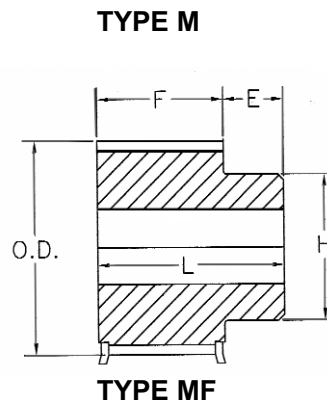
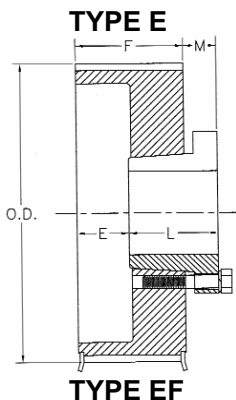
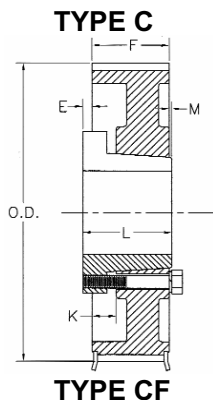
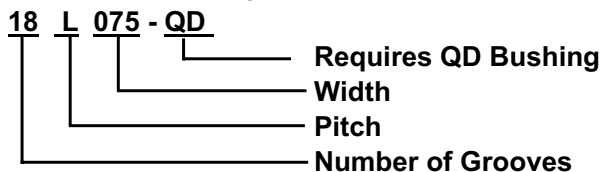


Figure Following Letter in Column Headed "TYPE" in Table Below Indicates Sheave Construction
 1 - Solid, No Web. 2 - Web. 3 - Arms "F" Indicates Flanged Pulley

Part Number Explanation



FOR BELTS 3/4 INCH WIDE • 3/8 INCH PITCH (L075)

Part Number	List Price	Number of Grooves	Pitch Diameter	Outside Diameter		Bush	Type	Dimensions, Inches						Bore Range		Weight Lbs □ (Approx.)
				Pulley	Flange			E	L	M	K	H	F	Min	Max *	
12L075MPB	\$ 19.50	12	1.432	1.402	1-11/16	*	M1F	1/2	1-1/2			1-1/16	1	3/8	13/16	.4
13L075MPB	\$ 20.30	13	1.522	1.552	1-11/16	*	M1F	1/2	1-1/2			1-1/8	1	3/8	13/16	.4
14L075MPB	\$ 21.30	14	1.671	1.641	1-15/16	*	M1F	1/2	1-1/2			1-1/8	1	3/8	7/8	.5
15L075MPB	\$ 22.10	15	1.790	1.760	1-15/16	*	M1F	1/2	1-1/2			1-1/8	1	1/2	7/8	.6
16L075MPB	\$ 22.80	16	1.910	1.880	2-3/16	*	M1F	5/8	1-5/8			1-7/16	1	1/2	1-1/8	.7
17L075MPB	\$ 24.00	17	2.029	1.999	2-3/16	*	M1F	1/2	1-1/2			1-7/16	1	1/2	1-1/8	.8
18L075MPB	\$ 27.40	18	2.149	2.119	2-3/8	*	M1F	5/8	1-5/8			1-9/16	1	1/2	1-3/16	.9
18L075QD	\$ 30.40	18	2.149	2.119	2-3/8	JAr	E1F	7/16	1	7/16			1	1/2	1-3/16	.5
19L075MPB	\$ 28.10	19	2.268	2.238	2-3/8	*	M1F	5/8	1-5/8			1-5/8	1	1/2	1-3/16	1.1
20L075MPB	\$ 28.50	20	2.387	2.357	2-5/8	*	M1F	5/8	1-5/8			1-11/16	1	1/2	1-1/4	1.5
20L075QD	\$ 31.60	20	2.387	2.357	2-5/8	JAr	E1F	7/16	1	7/16			1	1/2	1-3/16	.7
21L075MPB	\$ 30.00	21	2.507	2.477	2-3/4	*	M1F	5/8	1-5/8			1-7/8	1	1/2	1-5/16	1.6
22L075MPB	\$ 31.90	22	2.626	2.596	3	*	M1F	3/4	1-3/4			2	1	1/2	1-1/2	1.8
22L075QD	\$ 34.20	22	2.626	2.596	3	JAr	E1F	7/16	1	7/16			1	1/2	1-3/16	.8
24L075MPB	\$ 36.00	24	2.865	2.835	3-1/4	*	M1F	3/4	1-3/4			2-1/4	1	5/8	1-5/8	2.1
24L075QD	\$ 32.40	24	2.865	2.835	3-1/4	SH	E1F	3/16	1-1/4	1/2			1	1/2	1-5/8	.8
26L075MPB	\$ 38.60	26	3.104	3.074	3-5/16	*	M1F	3/4	1-3/4			2-1/4	1	5/8	1-5/8	2.8
26L075QD	\$ 34.60	26	3.104	3.074	3-5/16	SH	E1F	3/16	1-1/4	1/2			1	1/2	1-5/8	1.1
28L075MPB	\$ 42.40	28	3.342	3.312	3-9/16	*	M1F	3/4	1-3/4			2-1/4	1	5/8	1-5/8	3.1
28L075QD	\$ 37.60	28	3.342	3.312	3-9/16	SH	E1F	3/16	1-1/4	1/2			1	1/2	1-5/8	1.3
30L075MPB	\$ 47.60	30	3.581	3.551	3-3/4	*	M1F	3/4	1-3/4			2-1/4	1	5/8	1-5/8	3.4
30L075QD	\$ 39.60	30	3.581	3.551	3-3/4	SDS	E1F	1/4	1-5/16	9/16			1	1/2	1-15/16	1.5
32L075MPB	\$ 51.80	32	3.820	3.790	4	*	M1F	7/8	1-7/8			2-9/16	1	5/8	1-7/8	3.7
32L075QD	\$ 42.20	32	3.820	3.790	4	SDS	E1F	1/4	1-5/16	9/16			1	1/2	1-15/16	1.7
36L075QD	\$ 66.80	36	4.297	4.267	4-17/32	SDS	C1F	5/16	1-5/16	0	1/4		1	1/2	1-15/16	2.3
40L075QD	\$ 68.00	40	4.775	4.745	5	SDS	C1F	5/16	1-5/16	0	1/4		1	1/2	1-15/16	3.1
44L075QD	\$ 73.60	44	5.252	5.222	5-31/64	SDS	C1F	5/16	1-5/16	0	1/4		1	1/2	1-15/16	4.0
48L075QD	\$ 82.40	48	5.730	5.700	6	SDS	C1F	5/16	1-5/16	0	1/4		1	1/2	1-15/16	4.6
60L075QD	\$ 85.20	60	7.162	7.132		SD	C3	11/16	1-13/16	1/8	+1/8		1	1/2	1-15/16	4.7
72L075QD	\$ 88.20	72	8.594	8.564		SD	C3	11/16	1-13/16	1/8	+1/8		1	1/2	1-15/16	6.5
84L075QD	\$ 92.00	84	10.027	9.997		SD	C3	11/16	1-13/16	1/8	+1/8		1	1/2	1-15/16	6.3
96L075QD	\$ 98.80	96	11.459	11.429		SD	C3	11/16	1-13/16	1/8	+1/8		1	1/2	1-15/16	9.4
120L075QD	\$ 108.00	120	14.324	14.294		SD	C3	11/16	1-13/16	1/8	+1/8		1	1/2	1-15/16	13.8

*Bored to suit construction (Type M) minimum plain bore only carried in stock □ Weight shown is for pulley without bushing
 "r" = Reverse mount only ** List Prices Shown are for Sheave Only. Bushing list prices are shown at the front of Section C.
 • Maximum bore without keyway

maurey

**3/8" pitch (L) stock pulley dimensions
positive drive pulleys**

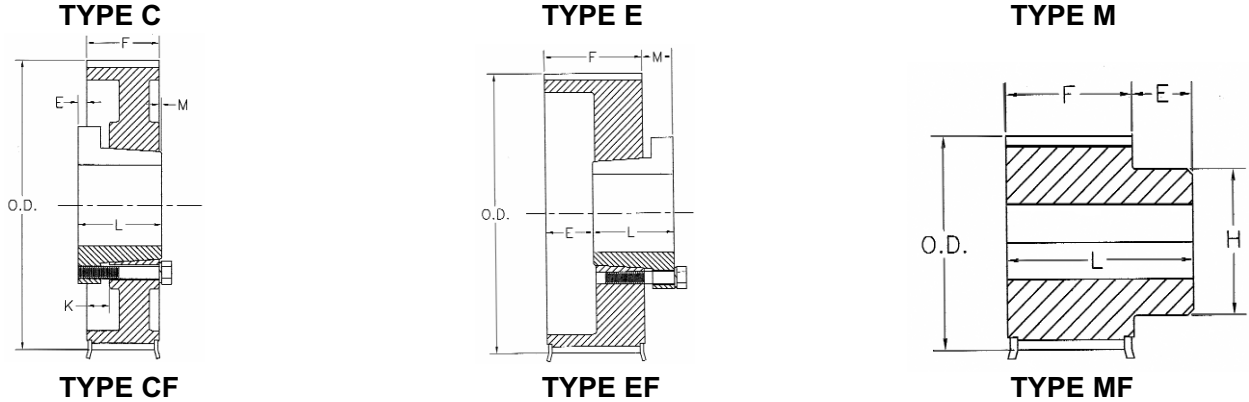
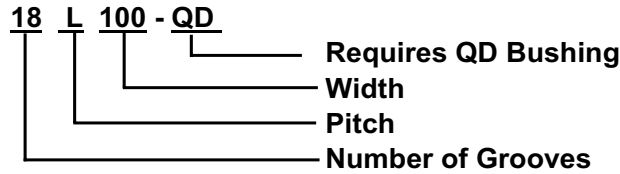


Figure Following Letter in Column Headed "TYPE" in Table Below Indicates Sheave Construction
1 - Solid, No Web. 2 - Web. 3 - Arms "F" Indicates Flanged Pulley

Part Number Explanation



FOR BELTS 1 INCH WIDE • 3/8 INCH PITCH (L100)

Part Number	List Price	Number of Grooves	Pitch Diameter	Outside Diameter		Bush	Type	Dimensions, Inches						Bore Range		Weight Lbs □ (Approx.)
				Pulley	Flange			E	L	M	K	H	F	Min	Max •	
13L100MPB	\$ 22.50	13	1.552	1.522	1-3/4	*	M1F	1/2	1-3/4			1-1/8	1-1/4	3/8	7/8	.5
14L100MPB	\$ 23.30	14	1.671	1.641	1-15/16	*	M1F	1/2	1-3/4			1-1/8	1-1/4	3/8	7/8	.6
15L100MPB	\$ 24.00	15	1.790	1.760	1-15/16	*	M1F	1/2	1-3/4			1-1/8	1-1/4	1/2	7/8	.7
16L100MPB	\$ 24.80	16	1.910	1.880	2-3/16	*	M1F	5/8	1-7/8			1-7/16	1-1/4	1/2	1-1/8	.8
17L100MPB	\$ 26.30	17	2.029	1.999	2-3/16	*	M1F	1/2	1-3/4			1-7/16	1-1/4	1/2	1-1/8	1.0
18L100MPB	\$ 29.60	18	2.149	2.119	2-3/8	*	M1F	5/8	1-7/8			1-5/8	1-1/4	1/2	1-3/16	1.1
18L100QD	\$ 33.20	18	2.149	2.119	2-3/8	JAr	E1F	11/16	1	7/16			1-1/4	1/2	1-3/16	.7
19L100MPB	\$ 31.10	19	2.268	2.238	2-3/8	*	M1F	5/8	1-7/8			1-3/4	1-1/4	1/2	1-3/16	1.4
20L100MPB	\$ 31.50	20	2.387	2.357	2-5/8	*	M1F	5/8	1-7/8			1-11/16	1-1/4	1/2	1-1/4	1.75
20L100QD	\$ 34.60	20	2.387	2.357	2-5/8	JAr	E1F	11/16	1	7/16			1-1/4	1/2	1-3/16	.9
21L100MPB	\$ 31.90	21	2.507	2.477	2-3/4	*	M1F	5/8	1-7/8			1-7/8	1-1/4	5/8	1-5/16	1.8
22L100MPB	\$ 34.90	22	2.626	2.596	3	*	M1F	3/4	2			2	1-1/4	5/8	1-1/2	2.0
22L100QD	\$ 36.80	22	2.626	2.596	3	JAr	E1F	11/16	1	7/16			1-1/4	1/2	1-3/16	1.0
24L100MPB	\$ 39.00	24	2.865	2.835	3-1/4	*	M1F	3/4	2			2-1/4	1-1/4	5/8	1-5/8	2.5
24L100QD	\$ 35.00	24	2.865	2.835	3-1/4	SH	E1F	7/16	1-1/4	1/2			1-1/4	1/2	1-5/8	1.0
26L100MPB	\$ 42.00	26	3.104	3.074	3-5/16	*	M1F	7/8	2-1/8			2-1/2	1-1/4	5/8	1-7/8	3.3
26L100QD	\$ 37.60	26	3.104	3.074	3-5/16	SH	E1F	7/16	1-1/4	1/2			1-1/4	1/2	1-5/8	1.3
28L100MPB	\$ 45.40	28	3.342	3.312	3-9/16	*	M1F	1	2-1/4			2-1/2	1-1/4	5/8	2	3.6
28L100QD	\$ 39.60	28	3.342	3.312	3-9/16	SH	E1F	7/16	1-1/4	1/2			1-1/4	1/2	1-5/8	1.7
30L100MPB	\$ 51.40	30	3.581	3.551	3-3/4	*	M1F	1	2-1/4			2-15/16	1-1/4	5/8	2-1/8	4.0
30L100QD	\$ 43.00	30	3.581	3.551	3-3/4	SDS	E1F	1/2	1-5/16	9/16			1-1/4	1/2	1-15/16	2.0
32L100MPB	\$ 56.60	32	3.820	3.790	4	*	M1F	1	2-1/4			3-1/8	1-1/4	5/8	1-7/8	4.4
32L100QD	\$ 46.40	32	3.820	3.790	4	SDS	E1F	1/2	1-5/16	9/16			1-1/4	1/2	1-15/16	2.1
36L100QD	\$ 68.20	36	4.297	4.267	4-17/32	SDS	C1F	5/16	1-5/16	0	1/2		1-1/4	1/2	1-15/16	2.6
40L100QD	\$ 68.40	40	4.775	4.745	5	SDS	C1F	1/16	1-5/16	0	1/2		1-1/4	1/2	1-15/16	3.4
44L100QD	\$ 77.60	44	5.252	5.222	5-31/64	SDS	C1F	1/16	1-5/16	0	1/2		1-1/4	1/2	1-15/16	4.2
48L100QD	\$ 85.80	48	5.730	5.700	6	SDS	C1F	1/16	1-5/16	0	1/2		1-1/4	1/2	1-15/16	5.1
60L100QD	\$ 88.60	60	7.162	7.132		SD	C3	9/16	1-13/16	0	0		1-1/4	1/2	1-15/16	6.0
72L100QD	\$ 92.00	72	8.594	8.564		SD	C3	9/16	1-13/16	0	0		1-1/4	1/2	1-15/16	7.5
84L100QD	\$ 96.20	84	10.027	9.997		SD	C3	9/16	1-13/16	0	0		1-1/4	1/2	1-15/16	6.9
96L100QD	\$ 103.40	96	11.459	11.429		SD	C3	9/16	1-13/16	0	0		1-1/4	1/2	1-15/16	11.2
120L100QD	\$ 113.60	120	14.324	14.294		SD	C3	9/16	1-13/16	0	0		1-1/4	1/2	1-15/16	16.0

*Bored to suit construction (Type M) minimum plain bore only carried in stock □ Weight shown is for pulley without bushing
 "r" = Reverse mount only ** List Prices Shown are for Sheave Only. Bushing list prices are shown at the front of Section C.
 • Maximum bore without keyway



1/2" pitch (H) stock pulley dimensions positive drive pulleys

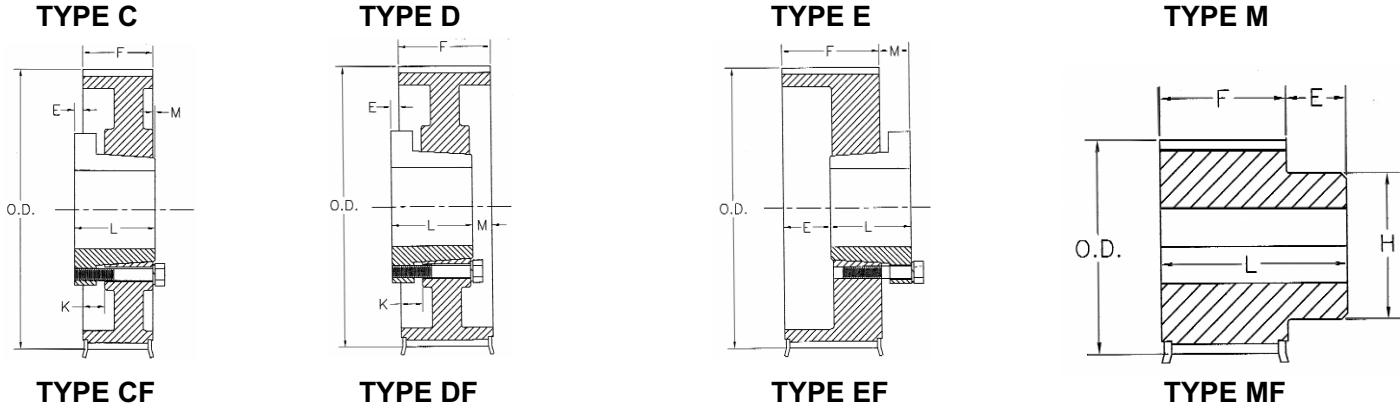
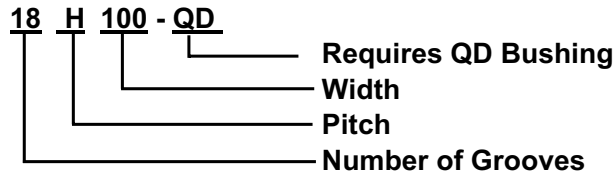


Figure Following Letter in Column Headed "TYPE" in Table Below Indicates Sheave Construction
 1 - Solid, No Web. 2 - Web. 3 - Arms "F" Indicates Flanged Pulley

Part Number Explanation



FOR BELTS 1 INCH WIDE • 1/2 INCH PITCH (H100) ALSO USE FOR 3/4 INCH (H075) BELTS

Part Number	List Price	Number of Grooves	Pitch Diameter	Outside Diameter		Bush	Type	Dimensions, Inches						Bore Range		Weight Lbs (Approx.)	
				Pulley	Flange			E	L	M	K	H	F	Min	Max *		
14H100MPB	\$ 31.90	14	2.228	2.174	2-3/8	*	M1F	5/8	1-15/16				1-1/2	1-5/16	5/8	1	1.4
14H100QD	\$ 30.40	14	2.228	2.174	2-3/8	JAr	E1F	3/4	1	7/16				1-5/16	1/2	1-3/16	1.0
16H100MPB	\$ 37.10	16	2.546	2.492	2-3/4	*	M1F	11/16	2			2		1-5/16	5/8	1-1/4	2.0
16H100QD	\$ 35.00	16	2.546	2.492	2-3/4	JAr	E1F	3/4	1	7/16				1-5/16	1/2	1-3/16	1.5
17H100MPB	\$ 42.00	17	2.706	2.652	3	*	M1F	11/16	2			2		1-5/16	5/8	1-1/4	2.6
18H100MPB	\$ 45.00	18	2.865	2.811	3-1/4	*	M1F	11/16	2				2-1/4	1-5/16	5/8	1-1/2	2.8
18H100QD	\$ 33.20	18	2.865	2.811	3-1/4	SH	E1F	9/16	1-1/4	1/2				1-5/16	1/2	1-5/8	1.2
19H100MPB	\$ 48.40	19	3.024	2.970	3-1/4	*	M1F	13/16	2-1/8				2-1/4	1-5/16	5/8	1-9/16	2.9
20H100MPB	\$ 50.20	20	3.183	3.129	3-5/16	*	M1F	7/8	2-3/16				2-1/2	1-5/16	5/8	1-5/8	3.4
20H100QD	\$ 41.00	20	3.183	3.129	3-5/16	SH	E1F	9/16	1-1/4	1/2				1-5/16	1/2	1-5/8	1.2
21H100MPB	\$ 54.70	21	3.342	3.288	3-9/16	*	M1F	1	2-5/16				2-1/2	1-5/16	3/4	1-11/16	3.8
22H100MPB	\$ 61.90	22	3.501	3.447	3-3/4	*	M1F	1	2-5/16				2-7/8	1-5/16	3/4	1-7/8	4.3
22H100QD	\$ 45.60	22	3.501	3.447	3-3/4	SDS	E1F	9/16	1-5/16	9/16				1-5/16	1/2	1-15/16	1.4
24H100MPB	\$ 65.60	24	3.820	3.766	4	*	M1F	1	2-5/16				3-1/8	1-5/16	3/4	2-1/8	5.3
24H100QD	\$ 50.60	24	3.820	3.766	4	SDS	E1F	9/16	1-5/16	9/16				1-5/16	1/2	1-15/16	1.7
26H100MPB	\$ 66.80	26	4.138	4.084	4-3/8	*	M1F	1-1/8	2-7/16				3-1/2	1-5/16	3/4	2-1/2	6.7
26H100QD	\$ 57.80	26	4.138	4.084	4-3/8	SDS	D1F	1/16	1-5/16	9/16	1/2			1-5/16	1/2	1-15/16	2.0
28H100MPB	\$ 73.50	28	4.456	4.402	4-11/16	*	M1F	1-1/8	2-7/16				3-5/8	1-5/16	3/4	2-5/8	8.0
28H100QD	\$ 61.60	28	4.456	4.402	4-11/16	SDS	D1F	1/16	1-5/16	1/16	1/2			1-5/16	1/2	1-15/16	2.6
30H100QD	\$ 66.60	30	4.775	4.721	5	SD	D1F	9/16	1-13/16	1/16	0			1-5/16	1/2	1-15/16	3.0
32H100QD	\$ 71.40	32	5.093	5.039	5-5/16	SK	D1F	5/8	1-7/8	1/16	0			1-5/16	1/2	2-1/2	4.9
36H100QD	\$ 79.40	36	5.730	5.678	5-61/64	SK	D1F	5/8	1-7/8	1/16	0			1-5/16	1/2	2-1/2	3.6
40H100QD	\$ 93.40	40	6.366	6.312	6-9/16	SK	D1F	5/8	1-7/8	1/16	0			1-5/16	1/2	2-1/2	8.2
44H100QD	\$ 104.80	44	7.003	6.953	7-1/4	SK	D1F	5/8	1-7/8	1/16	0			1-5/16	1/2	2-1/2	10.0
48H100QD	\$ 114.00	48	7.639	7.585	7-7/8	SK	D2F	5/8	1-7/8	1/16	0			1-5/16	1/2	2-1/2	12.5
60H100QD	\$ 117.00	60	9.549	9.495		SF	C3	5/8	2	1/16	0			1-5/16	1/2	2-3/4	10.9
72H100QD	\$ 142.60	72	11.459	11.405		SF	C3	5/8	2	1/16	0			1-5/16	1/2	2-3/4	14.7
84H100QD	\$ 168.00	84	13.369	13.315		SF	C3	5/8	2	1/16	0			1-5/16	1/2	2-3/4	18.0
96H100QD	\$ 190.00	96	15.279	15.225		SF	C3	5/8	2	1/16	0			1-5/16	1/2	2-3/4	22.0
120H100QD	\$ 241.00	120	19.099	19.045		SF	C3	5/8	2	1/16	0			1-5/16	1/2	2-3/4	30.5
156H100QD	\$ 317.00	156	24.828	24.774		SF	C3	9/16	2	1/16	1/16			1-3/8	1/2	2-3/4	43.7

*Bored to suit construction (Type M) minimum plain bore only carried in stock □ Weight shown is for pulley without bushing
 "r" = Reverse mount only ** List Prices Shown are for Sheave Only. Bushing list prices are shown at the front of Section C.
 • Maximum bore without keyway



1/2" pitch (H) stock pulley dimensions positive drive pulleys

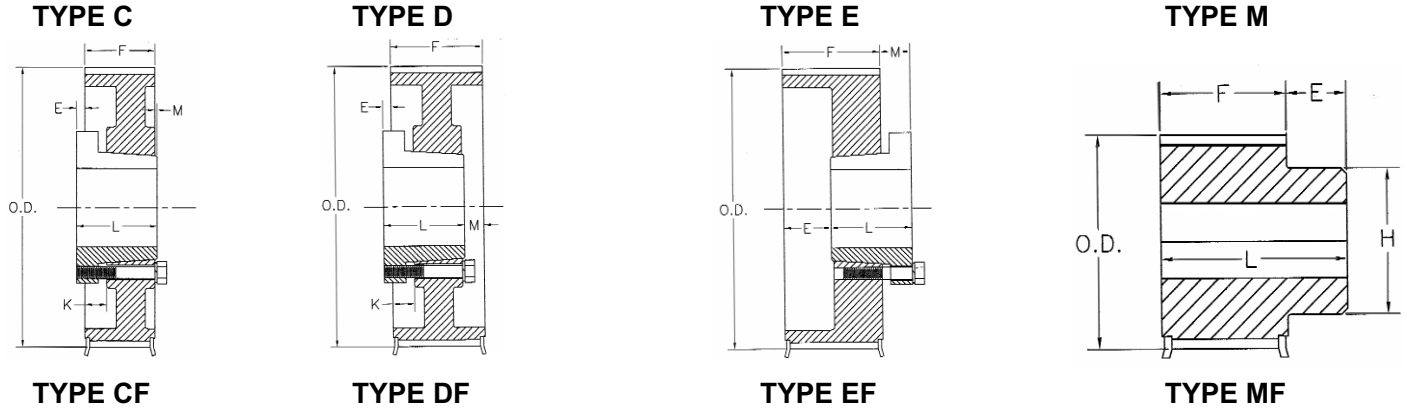
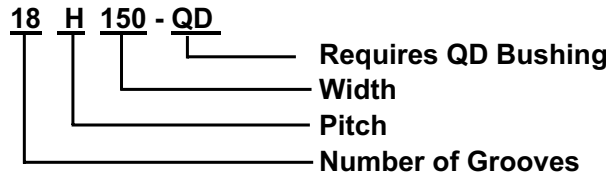


Figure Following Letter in Column Headed "TYPE" in Table Below Indicates Sheave Construction
1 - Solid, No Web. 2 - Web. 3 - Arms "F" Indicates Flanged Pulley

Part Number Explanation



FOR BELTS 1-1/2 INCH WIDE • 1/2 INCH PITCH (H150)

Part Number	List Price	Number of Grooves	Pitch Diameter	Outside Diameter		Bush	Type	Dimensions, Inches						Bore Range		Weight Lbs □ (Approx.)
				Pulley	Flange			E	L	M	K	H	F	Min	Max *	
14H150MPB	\$ 39.00	14	2.228	2.174	2-3/8	*	M1F	5/8	2-7/16			1-1/2	1-13/16	3/4	1	1.8
14H150QD	\$ 40.20	14	2.228	2.174	2-3/8	JAr	E1F	1-1/4	1	7/16			1-13/16	1/2	1-3/16	1.5
16H150MPB	\$ 44.30	16	2.546	2.492	2-3/4	*	M1F	3/4	2-9/16			2	1-13/16	3/4	1-1/4	2.5
16H150QD	\$ 44.00	16	2.546	2.492	2-3/4	JAr	E1F	1-1/4	1	7/16			1-13/16	1/2	1-3/16	2.0
17H150MPB	\$ 48.80	17	2.706	2.652	3	*	M1F	3/4	2-9/16			2	1-13/16	3/4	1-1/4	2.8
18H150MPB	\$ 56.20	18	2.865	2.811	3-1/4	*	M1F	3/4	2-9/16			2-1/4	1-13/16	3/4	1-1/2	3.3
18H150QD	\$ 45.60	18	2.865	2.811	3-1/4	SHr	E1F	1-1/16	1-1/4	1/2			1-13/16	1/2	1-5/8	1.3
19H150MPB	\$ 60.00	19	3.024	2.970	3-1/4	*	M1F	7/8	2-5/8			2-1/4	1-13/16	3/4	1-9/16	3.9
20H150MPB	\$ 61.80	20	3.183	3.129	3-5/16	*	M1F	7/8	2-11/16			2-1/2	1-13/16	3/4	1-5/8	4.3
20H150QD	\$ 51.00	20	3.183	3.129	3-5/16	SHr	E1F	1-1/16	1-1/4	1/2			1-13/16	1/2	1-5/8	1.8
21H150MPB	\$ 66.40	21	3.342	3.288	3-9/16	*	M1F	15/16	2-3/4			2-1/2	1-13/16	3/4	1-11/16	5.3
22H150MPB	\$ 75.40	22	3.501	3.447	3-3/4	*	M1F	1	2-13/16			2-7/8	1-13/16	3/4	1-7/8	5.4
22H150QD	\$ 57.00	22	3.501	3.447	3-3/4	SDr	E1F	9/16	1-13/16	9/16			1-13/16	1/2	1-15/16	2.0
24H150MPB	\$ 81.80	24	3.820	3.766	4	*	M1F	1	2-13/16			3-1/8	1-13/16	3/4	2-1/8	6.5
24H150QD	\$ 61.60	24	3.820	3.766	4	SDr	E1F	9/16	1-13/16				1-13/16	1/2	1-15/16	2.6
26H150MPB	\$ 83.30	26	4.138	4.084	4-3/8	*	M1F	1	2-13/16			3-1/2	1-13/16	3/4	2-1/2	8.4
26H150QD	\$ 68.40	26	4.138	4.084	4-3/8	SD	D1F	1/16	1-13/16	1/16	1/2		1-13/16	1/2	1-15/16	3.0
28H150MPB	\$ 90.70	28	4.456	4.402	4-11/16	*	M1F	1-1/8	2-15/16			3-5/8	1-13/16	3/4	2-5/8	9.3
28H150QD	\$ 72.20	28	4.456	4.402	4-11/16	SD	D1F	1/16	1-13/16	1/16	1/2		1-13/16	1/2	1-15/16	4.0
30H150QD	\$ 77.60	30	4.775	4.721	5	SD	D1F	1/16	1-13/16	1/16	1/2		1-13/16	1/2	1-15/16	4.9
32H150QD	\$ 83.60	32	5.093	5.039	5-5/16	SK	C1F	1/16	1-7/8	0	9/16		1-13/16	1/2	2-1/2	5.8
36H150QD	\$ 91.40	36	5.730	5.678	5-61/64	SK	C1F	1/16	1-7/8	0	9/16		1-13/16	1/2	2-1/2	7.0
40H150QD	\$ 104.20	40	6.366	6.312	6-9/16	SK	C1F	1/16	1-7/8	0	9/16		1-13/16	1/2	2-1/2	9.2
44H150QD	\$ 116.80	44	7.003	6.953	7-1/4	SK	C1F	1/16	1-7/8	0	9/16		1-13/16	1/2	2-1/2	11.0
48H150QD	\$ 127.00	48	7.639	7.585	7-7/8	SK	C2F	1/16	1-7/8	0	9/16		1-13/16	1/2	2-1/2	13.7
60H150QD	\$ 143.60	60	9.549	9.495		SF	D3	3/8	2	3/16	1/4		1-13/16	1/2	2-3/4	12.5
72H150QD	\$ 158.80	72	11.459	11.405		SF	D3	3/8	2	3/16	1/4		1-13/16	1/2	2-3/4	16.7
84H150QD	\$ 178.60	84	13.369	13.315		SF	D3	3/8	2	3/16	1/4		1-13/16	1/2	2-3/4	20.8
96H150QD	\$ 215.00	96	15.279	15.225		SF	D3	3/8	2	3/16	1/4		1-13/16	1/2	2-3/4	25.0
120H150QD	\$ 271.40	120	19.099	19.045		SF	D3	3/8	2	3/16	1/4		1-13/16	1/2	2-3/4	34.5
156H150QD	\$ 355.00	156	24.828	24.774		SF	D3	5/16	2	3/16	5/16		1-7/8	1/2	2-3/4	49.5

*Bored to suit construction (Type M) minimum plain bore only carried in stock □ Weight shown is for pulley without bushing

"r" = Reverse mount only

** List Prices Shown are for Sheave Only. Bushing list prices are shown at the front of Section C.

• Maximum bore without keyway



1/2" pitch (H) stock pulley dimensions positive drive pulleys

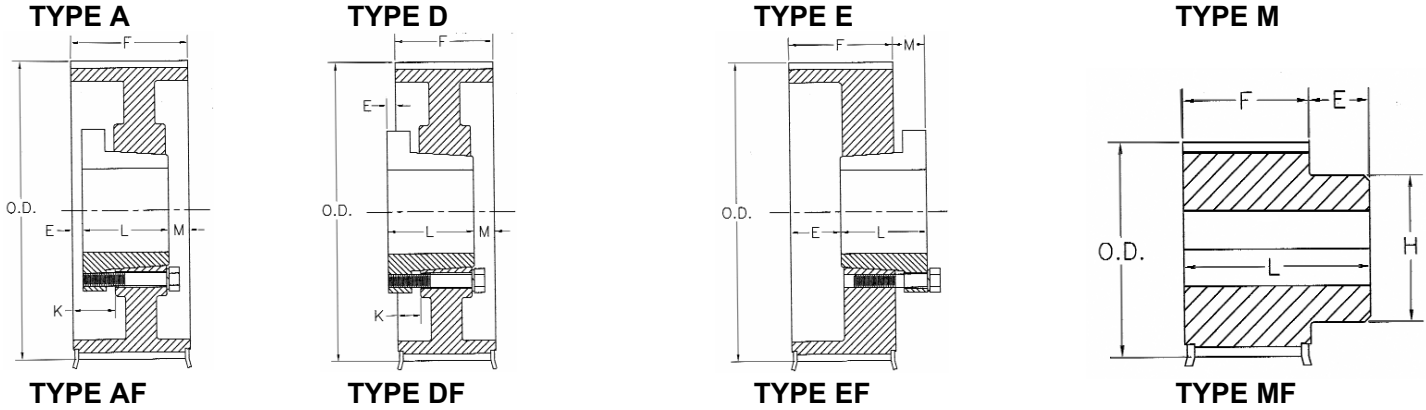
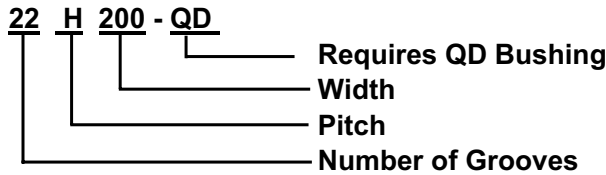


Figure Following Letter in Column Headed "TYPE" in Table Below Indicates Sheave Construction
1 - Solid, No Web. 2 - Web. 3 - Arms "F" Indicates Flanged Pulley

Part Number Explanation



FOR BELTS 2 INCH WIDE • 1/2 INCH PITCH (H200)

Part Number	List Price	Number of Grooves	Pitch Diameter	Outside Diameter		Bush	Type	Dimensions, Inches						Bore Range		Weight Lbs □ (Approx.)
				Pulley	Flange			E	L	M	K	H	F	Min	Max •	
14H200MPB	\$ 61.90	14	2.228	2.174	2-3/8	*	M1F	5/8	2-31/32			1-1/2	2-11/32	3/4	1	2.2
14H200QD	\$ 50.20	14	2.228	2.174	2-3/8	JAr	E1F	1-25/32	1	7/16		2	2-11/32	5/8	1-3/16	2.0
16H200MPB	\$ 69.00	16	2.546	2.492	2-3/4	*	M1F	3/4	3-3/32				2	3/4	1-1/4	3.1
16H200QD	\$ 52.20	16	2.546	2.492	2-3/4	JAr	E1F	1-25/32	1	7/16			2-11/32	5/8	1-3/16	2.6
17H200MPB	\$ 74.00	17	2.706	2.652	3	*	M1F	3/4	3-3/32			2	2-11/32	3/4	1-1/4	3.4
18H200MPB	\$ 74.60	18	2.865	2.811	3-1/4	*	M1F	3/4	3-3/32			2-1/4	2-11/32	3/4	1-1/2	3.7
18H200QD	\$ 58.60	18	2.865	2.811	3-1/4	SHr	E1F	1-19/32	1-1/4	1/2			2-11/32	1/2	1-5/8	1.6
19H200MPB	\$ 78.40	19	3.024	2.970	3-1/4	*	M1F	7/8	3-5/32			2-1/4	2-11/32	3/4	1-9/16	3.9
20H200MPB	\$ 79.90	20	3.183	3.129	3-5/16	*	M1F	7/8	3-5/32			2-1/2	2-11/32	3/4	1-5/8	4.9
20H200QD	\$ 64.60	20	3.183	3.129	3-5/16	SHr	E1F	1-19/32	1-1/4	1/2			2-11/32	1/2	1-5/8	2.2
21H200MPB	\$ 83.60	21	3.342	3.288	3-9/16	*	M1F	7/8	3-5/32			2-1/4	2-11/32	1	1-11/16	6.1
22H200MPB	\$ 85.90	22	3.501	3.447	3-3/4	*	M1F	1	3-11/32			2-7/8	2-11/32	1	1-7/8	6.3
22H200QD	\$ 66.80	22	3.501	3.447	3-3/4	SDr	E1F	1-3/32	1-13/16	9/16			2-11/32	1/2	1-15/16	2.5
24H200MPB	\$ 93.00	24	3.820	3.766	4	*	M1F	1	3-11/32			3-1/8	2-11/32	1	2-1/8	7.5
24H200QD	\$ 71.40	24	3.820	3.766	4	SDr	E1F	1-3/32	1-13/16	9/16			2-11/32	1/2	1-15/16	3.0
26H200MPB	\$ 100.50	26	4.138	4.084	4-3/8	*	M1F	1-1/8	3-15/32			3-1/2	2-11/32	1	2-1/2	9.5
26H200QD	\$ 77.60	26	4.138	4.084	4-3/8	SD	A1F	1/16	1-13/16	15/32	5/8		2-11/32	1/2	1-15/16	3.9
28H200MPB	\$ 114.00	28	4.456	4.402	4-11/16	*	M1F	1-1/8	3-15/32			3-5/8	2-11/32	1	2-5/8	11.0
28H200QD	\$ 82.80	28	4.456	4.402	4-11/16	SD	A1F	1/16	1-13/16	15/32	5/8		2-11/32	1/2	1-15/16	4.7
30H200QD	\$ 89.00	30	4.775	4.721	5	SD	D1F	1/16	1-13/16	19/32	1/2		2-11/32	1/2	1-15/16	5.7
32H200QD	\$ 93.40	32	5.093	5.039	5-5/16	SK	D1F	1/8	1-7/8	19/32	1/2		2-11/32	1/2	2-1/2	6.7
36H200QD	\$ 115.20	36	5.730	5.678	5-61/64	SK	D1F	1/8	1-7/8	19/32	1/2		2-11/32	1/2	2-1/2	8.0
40H200QD	\$ 135.00	40	6.366	6.312	6-9/16	SK	D1F	1/8	1-7/8	19/32	1/2		2-11/32	1/2	2-1/2	10.2
44H200QD	\$ 139.60	44	7.003	6.953	7-1/4	SK	D1F	1/8	1-7/8	19/32	1/2		2-11/32	1/2	2-1/2	12.5
48H200QD	\$ 145.20	48	7.639	7.585	7-7/8	SF	D1F	1/8	2	15/32	1/2		2-11/32	1/2	2-3/4	14.1
60H200QD	\$ 157.40	60	9.549	9.495		SF	D3	1/8	2	15/32	1/2		2-11/32	1/2	2-3/4	14.6
72H200QD	\$ 177.80	72	11.459	11.405		SF	D3	1/8	2	15/32	1/2		2-11/32	1/2	2-3/4	19.4
84H200QD	\$ 209.00	84	13.369	13.315		SF	D3	1/8	2	15/32	1/2		2-11/32	1/2	2-3/4	24.2
96H200QD	\$ 250.80	96	15.279	15.225		E	D3	3/8	2-5/8	3/32	1/2		2-11/32	7/8	3-7/16	32.0
120H200QD	\$ 337.40	120	19.099	19.045		E	D3	3/8	2-5/8	3/32	1/2		2-11/32	7/8	3-7/16	43.0
156H200QD	\$ 438.60	156	24.828	24.774		E	D3	1/8	2-5/8	1/8	5/8		2-1/2	7/8	3-7/16	64.0

*Bored to suit construction (Type M) minimum plain bore only carried in stock □ Weight shown is for pulley without bushing

"r" = Reverse mount only

** List Prices Shown are for Sheave Only. Bushing list prices are shown at the front of Section C.

• Maximum bore without keyway

maurey 1/2" pitch (H) stock pulley dimensions positive drive pulleys

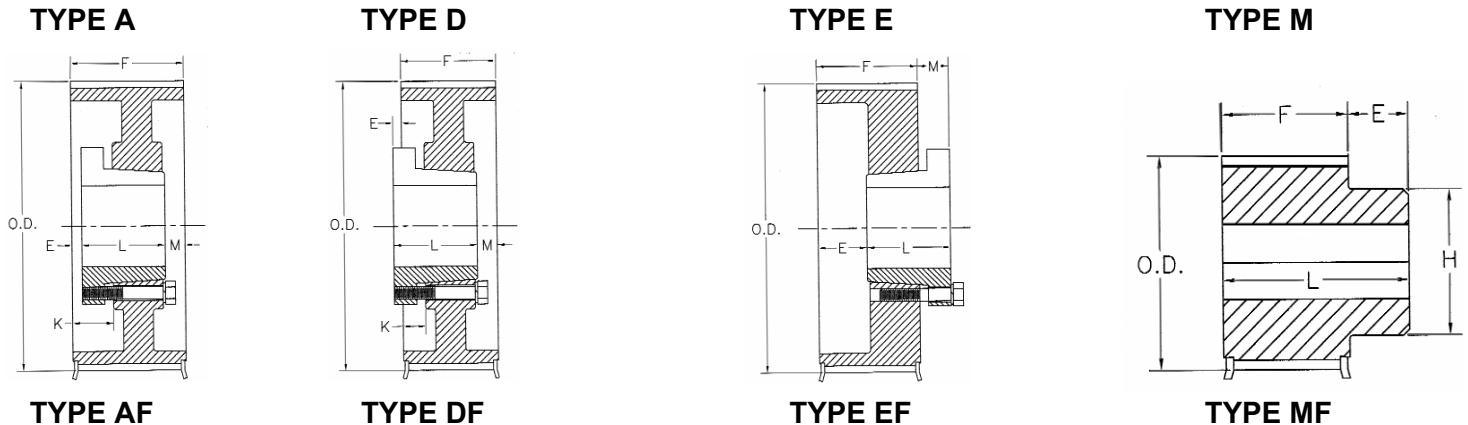
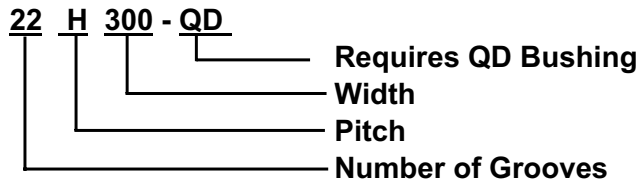


Figure Following Letter in Column Headed "TYPE" in Table Below Indicates Sheave Construction
 1 - Solid, No Web. 2 - Web. 3 - Arms "F" Indicates Flanged Pulley

Part Number Explanation



FOR BELTS 3 INCH WIDE • 1/2 INCH PITCH (H300)

Part Number	List Price	Number of Grooves	Pitch Diameter	Outside Diameter		Bush	Type	Dimensions, Inches						Bore Range		Weight Lbs □ (Approx.)
				Pulley	Flange			E	L	M	K	H	F	Min	Max *	
16H300MPB	\$ 85.50	16	2.546	2.492	2-3/4	*	M1F	3/4	4-1/8			2	3-3/8	3/4	1-1/4	4.2
17H300MPB	\$ 87.80	17	2.706	2.652	3	*	M1F	3/4	4-1/8			2	3-3/8	3/4	1-1/4	4.3
18H300MPB	\$ 89.20	18	2.865	2.811	3-1/4	*	M1F	3/4	4-1/8			2-1/4	3-3/8	3/4	1-1/2	4.4
19H300MPB	\$ 98.60	19	3.024	2.970	3-1/4	*	M1F	7/8	4-1/4			2-1/4	3-3/8	3/4	1-9/16	5.0
20H300MPB	\$100.50	20	3.183	3.129	3-5/16	*	M1F	7/8	4-1/4			2-1/2	3-3/8	3/4	1-5/8	7.4
21H300MPB	\$106.10	21	3.342	3.288	3-9/16	*	M1F	15/16	4-15/16			2-1/2	3-3/8	1	1-5/8	8.2
22H300MPB	\$109.00	22	3.501	3.447	3-3/4	*	M1F	1	4-3/8			2-7/8	3-3/8	1-1/8	1-7/8	8.7
22H300QD	\$ 99.60	22	3.501	3.447	3-3/4	SDr	E1F	2-1/8	1-13/16	9/16			3-3/8	1/2	1-15/16	4.1
24H300MPB	\$113.70	24	3.820	3.766	4	*	M1F	1	4-3/8			3-1/8	3-3/8	1-1/8	2-1/8	10.0
24H300QD	\$106.40	24	3.820	3.766	4	SDr	E1F	2-1/8	1-13/16	9/16			3-3/8	1/2	1-15/16	4.1
26H300MPB	\$123.00	26	4.138	4.084	4-3/8	*	M1F	1-1/8	4-1/2			3-1/2	3-3/8	1-1/8	2-1/2	12.3
26H300QD	\$112.40	26	4.138	4.084	4-3/8	SD	A1F	1/16	1-13/16	1-1/2	5/8		3-3/8	1/2	1-15/16	5.0
28H300MPB	\$134.30	28	4.456	4.402	4-11/16	*	M1F	1-1/8	4-1/2			3-5/8	3-3/8	1-1/8	2-5/8	15.0
28H300QD	\$118.60	28	4.456	4.402	4-11/16	SD	A1F	1/16	1-13/16	1-1/2	5/8		3-3/8	1/2	1-15/16	6.0
30H300QD	\$125.40	30	4.775	4.721	5	SD	A1F	7/16	1-13/16	1-1/8	1		3-3/8	1/2	1-15/16	7.2
32H300QD	\$127.00	32	5.093	5.039	5-5/16	SK	A1F	3/8	1-7/8	1-1/8	1		3-3/8	1/2	2-1/2	8.4
36H300QD	\$128.60	36	5.730	5.678	5-61/64	SK	A1F	3/8	1-7/8	1-1/8	1		3-3/8	1/2	2-1/2	10.0
40H300QD	\$140.60	40	6.366	6.312	6-9/16	SK	A1F	3/8	1-7/8	1-1/8	1		3-3/8	1/2	2-1/2	12.2
44H300QD	\$154.80	44	7.003	6.953	7-1/4	SK	A1F	3/8	1-7/8	1-1/8	1		3-3/8	1/2	2-1/2	15.5
48H300QD	\$165.00	48	7.639	7.585	7-7/8	SF	A1F	3/8	2	1	1		3-3/8	1/2	2-3/4	16.6
60H300QD	\$189.20	60	9.549	9.495		SF	A3	3/8	2	1	1		3-3/8	1/2	2-3/4	17.9
72H300QD	\$212.00	72	11.459	11.405		SF	A3	3/8	2	1	1		3-3/8	1/2	2-3/4	23.5
84H300QD	\$250.00	84	13.369	13.315		SF	A3	3/8	2	1	1		3-3/8	1/2	2-3/4	29.0
96H300QD	\$311.60	96	15.279	15.225		E	D3	1/8	2-5/8	7/8	3/4		3-3/8	7/8	3-7/16	38.0
120H300QD	\$406.60	120	19.099	19.045		E	D3	1/8	2-5/8	7/8	3/4		3-3/8	7/8	3-7/16	51.0
156H300QD	\$501.60	156	24.828	24.774		E	D3	1/8	2-5/8	1	3/4		3-1/2	7/8	3-7/16	65.0

*Bored to suit construction (Type M) minimum plain bore only carried in stock □ Weight shown is for pulley without bushing
 "r" = Reverse mount only ** List Prices Shown are for Sheave Only. Bushing list prices are shown at the front of Section C.
 • Maximum bore without keyway



7/8" pitch (XH) stock pulley dimensions positive drive pulleys

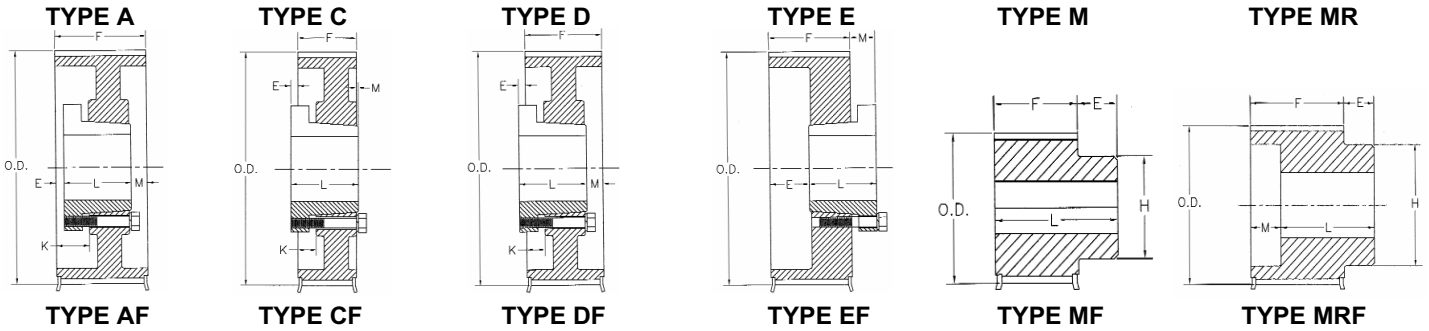


Figure Following Letter in Column Headed "TYPE" in Table Below Indicates Sheave Construction
1 - Solid, No Web. 2 - Web. 3 - Arms "F" Indicates Flanged Pulley

FOR BELTS 2 INCH WIDE • 7/8 INCH PITCH (XH200)																	
Part Number	List Price	Number of Grooves	Pitch Diameter	Outside Diameter		Bush	Type	Dimensions, Inches						Bore Range		Weight Lbs □ (Approx.)	
				Pulley	Flange			E	L	M	K	H	F	Min	Max •		
18XH200MPB	\$ 165.10	18	5.013	4.903	5-1/2	*	M1F	7/8	3-7/16				3-11/16	2-9/16	1	2-5/8	9
18XH200QD	\$ 159.60	18	5.013	4.903	5-1/2	SKr	E1F	1-5/16	1-7/8	5/8				2-9/16	1/2	2-1/2	9
20XH200MPB	\$ 184.60	20	5.570	5.460	6-1/8	*	M1F	1	3-9/16				4-1/8	2-9/16	1	3-1/4	10
20XH200QD	\$ 167.20	20	5.570	5.460	6-1/8	SK	A1F	1/32	1-7/8	21/32	21/32			2-9/16	1/2	2-1/2	10
22XH200QD	\$ 175.60	22	6.127	6.017	6-21/32	SK	A1F	1/32	1-7/8	21/32	21/32			2-9/16	1/2	2-1/2	13
24XH200QD	\$ 183.20	24	6.685	6.575	7-7/32	SF	A1F	1/32	2	17/32	21/32			2-9/16	1/2	2-3/4	15
26XH200QD	\$ 196.80	26	7.241	7.131	7-25/32	SF	A1F	1/32	2	17/32	21/32			2-9/16	1/2	2-3/4	18
28XH200QD	\$ 216.00	28	7.799	7.689	8-11/32	E	D1F	13/32	2-5/8	11/32	15/32			2-9/16	7/8	3-7/16	24
30XH200QD	\$ 234.00	30	8.356	8.246	8.91	E	D1F	7/16	2-5/8	3/8	15/32			2-9/16	7/8	3-7/16	28
32XH200QD	\$ 246.80	32	8.913	8.803	9-7/16	E	D1F	13/32	2-5/8	11/32	15/32			2-9/16	7/8	3-7/16	31
36XH200QD	\$ 282.00	36	10.027	9.917	10.62	E	D2F	7/16	2-5/8	3/8	15/32			2-9/16	7/8	3-7/16	33
40XH200QD	\$ 316.00	40	11.141	11.031	11.71	F	C2F	1-1/32	3-5/8	1-32	1/32			2-9/16	1	3-15/16	51
48XH200QD	\$ 348.00	48	13.369	13.259		F	C2	1-1/32	3-5/8	1/32	1/32			2-9/16	1	3-15/16	58
60XH200QD	\$ 450.00	60	16.711	16.601		F	C3	1-1/32	3-5/8	1/32	1/32			2-9/16	1	3-15/16	59
72XH200QD	\$ 551.60	72	20.054	19.944		F	C3	1-1/32	3-5/8	1/32	1/32			2-9/16	1	3-15/16	70
84XH200QD	\$ 653.60	84	23.396	23.286		F	C3	1-1/32	3-5/8	1/32	1/32			2-9/16	1	3-13/16	79
96XH200QD	\$ 754.00	96	26.738	26.628		F	C3	1-1/32	3-5/8	1/32	1/32			2-9/16	1	3-13/16	94
120XH200QD	\$ 950.00	120	33.423	33.313		F	C3	1-1/32	3-5/8	1/32	1/32			2-9/16	1	3-13/16	118

FOR BELTS 3 INCH WIDE • 7/8 INCH PITCH (XH300)																	
Part Number	List Price	Number of Grooves	Pitch Diameter	Outside Diameter		Bush	Type	Dimensions, Inches						Bore Range		Weight Lbs □ (Approx.)	
				Pulley	Flange			E	L	M	K	H	F	Min	Max •		
18XH300MPB	\$ 193.20	18	5.013	4.903	5-1/2	*	M1F	7/8	3-3/4	3/4			3-11/16	3-5/8	1	2-5/8	11
18XH300QD	\$ 170.80	18	5.013	4.903	5.56	SK	E1F	2-15/32	1-7/8	23/32				3-5/8	1/2	2-1/2	11
20XH300MPB	\$ 216.10	20	5.570	5.460	6-1/8	*	M1F	7/8	3-3/4	3/4			4-1/8	3-5/8	1	3-1/4	12
20XH300QD	\$ 192.20	20	5.570	5.460	6-1/8	SK	A1F	9/16	1-7/8	1-3/16	1-3/16			3-5/8	1/2	2-1/2	12
22XH300QD	\$ 215.20	22	6.127	6.017	6.66	SK	A1F	15/32	1-7/8	1-9/32	1-3/16			3-5/8	1/2	2-1/2	16
24XH300QD	\$ 234.80	24	6.685	6.575	7.22	SF	A1F	1/2	2	1-1/8	1-3/16			3-5/8	1/2	2-3/4	19
26XH300QD	\$ 253.20	26	7.241	7.131	7-25/32	SF	A1F	9/16	2	1-1/16	1-3/16			3-5/8	1/2	2-3/4	22
28XH300QD	\$ 272.00	28	7.799	7.689	8-11/32	E	A1F	1/8	2-5/8	7/8	1			3-5/8	7/8	3-7/16	27
30XH300QD	\$ 292.00	30	8.356	8.246	8-29/32	E	A1F	1/8	2-5/8	7/8	1			3-5/8	7/8	3-7/16	33
32XH300QD	\$ 310.00	32	8.913	8.803	9.44	E	A1F	3/32	2-5/8	29/32	1			3-5/8	7/8	3-7/16	36
40XH300QD	\$ 387.60	40	11.141	11.031	11.71	F	D2F	1/2	3-5/8	1/2	9/16			3-5/8	1	3-15/16	63
48XH300QD	\$ 425.60	48	13.369	13.259		F	D2	1/2	3-5/8	1/2	9/16			3-5/8	1	3-15/16	65
60XH300QD	\$ 562.40	60	16.711	16.601		F	D3	1/2	3-5/8	1/2	9/16			3-5/8	1	3-15/16	70
72XH300QD	\$ 653.60	72	20.054	19.944		J	D3	1-1/32	4-1/2	5/32	7/32			3-5/8	1-7/16	4-7/16	95
84XH300QD	\$ 798.00	84	23.369	23.286		J	D3	1-1/32	4-1/2	5/32	7/32			3-5/8	1-7/16	4-7/16	108
96XH300QD	\$ 896.80	96	26.738	26.628		J	D3	1-1/32	4-1/2	5/32	7/32			3-5/8	1-7/16	4-7/16	122
120XH300QD	\$1,162.80	120	33.423	33.313		J	D3	1-1/32	4-1/2	5/32	7/32			3-5/8	1-7/16	4-7/16	158

FOR BELTS 4 INCH WIDE • 7/8 INCH PITCH (XH400)																	
Part Number	List Price	Number of Grooves	Pitch Diameter	Outside Diameter		Bush	Type	Dimensions, Inches						Bore Range		Weight Lbs □ (Approx.)	
				Pulley	Flange			E	L	M	K	H	F	Min	Max •		
18XH400MPB	\$ 253.20	18	5.013	4.903	4.903	*	M1F	7/8	4	1-9/16			3-11/16	4-11/16	1	2-5/8	19
20XH400QD	\$ 239.20	20	5.570	5.460	5.460	SK	A1F	15/32	1-7/8	2-11/32	1-3/16			4-11/16	1/2	2-1/2	15
22XH400QD	\$ 269.60	22	6.127	6.017	6.017	SK	A1F	15/32	1-7/8	2-11/32	1-3/16			4-11/16	1/2	2-1/2	19
24XH400QD	\$ 292.40	24	6.685	6.575	6.575	SF	A1F	1/2	2	2-3/16	1-3/16			4-11/16	1/2	2-3/4	22
26XH400QD	\$ 315.20	26	7.241	7.131	7.131	SF	A1F	1/2	2	2-3/16	1-3/16			4-11/16	1/2	2-3/4	26
28XH400QD	\$ 330.00	28	7.799	7.689	7.689	E	A1F	5/8	2-5/8	1-7/16	1-17/32			4-11/16	7/8	3-7/16	31
30XH400QD	\$ 348.00	30	8.356	8.246	8.246	E	A1F	5/8	2-5/8	1-7/16	1-17/32			4-11/16	7/8	3-7/16	37
32XH400QD	\$ 367.20	32	8.913	8.803	8.803	E	A1F	5/8	2-5/8	1-7/16	1-17/32			4-11/16	7/8	3-7/16	42
40XH400QD	\$ 456.00	40	11.141	11.031	11.71	F	A1F	1/32	3-5/8	1-1/32	1-3/32			4-11/16	1	3-15/16	68
48XH400QD	\$ 494.00	48	13.369	13.259		J	D2	1/2	4-1/2	11/16	3/4			4-11/16	1-7/16	4-7/16	85
60XH400QD	\$ 630.80	60	16.711	16.601		J	D3	1/2	4-1/2	11/16	3/4			4-11/16	1-7/16	4-7/16	94
72XH400QD	\$ 760.00	72	20.054	19.944		J	D3	1/2	4-1/2	11/16	3/4			4-11/16	1-7/16	4-7/16	109
84XH400QD	\$ 908.00	84	23.396	23.286		J	D3	1/2	4-1/2	11/16	3/4			4-11/16	1-7/16	4-7/16	123
96XH400QD	\$1,033.60	96	26.738	26.628		J	D3	1/2	4-1/2	11/16	3/4			4-11/16	1-7/16	4-7/16	146
120XH400QD	\$1,299.60	120	33.423	33.313		J	D3	1/2	4-1/2	11/16	3/4			4-11/16	1-7/16	4-7/16	181

*Bored to suit construction (Type M) minimum plain bore only carried in stock □ Weight shown is for pulley with bushing
"r" = Reverse mount only ** List Prices Shown are for Sheave Only. Bushing list prices are shown at the front of Section C.

• Maximum bore without keyway



1-1/4" pitch (XXH) stock pulley dimensions positive drive pulleys

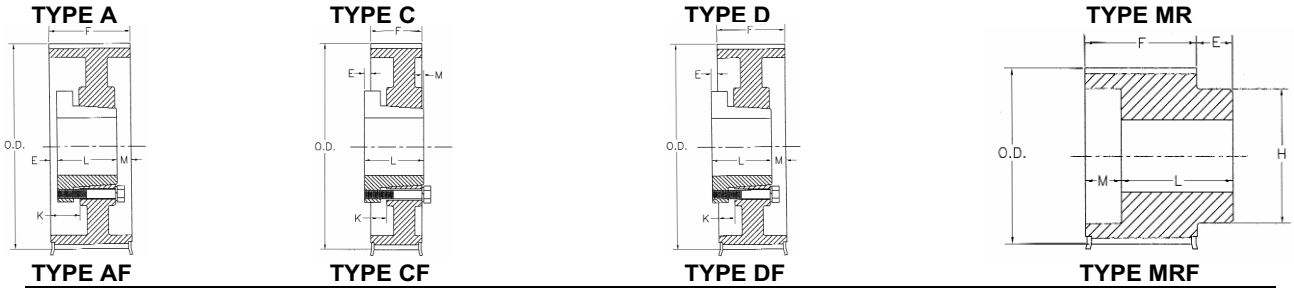


Figure Following Letter in Column Headed "TYPE" in Table Below Indicates Sheave Construction
 1 - Solid, No Web. 2 - Web. 3 - Arms "F" Indicates Flanged Pulley

FOR BELTS 2 INCH WIDE • 1-1/4 INCH PITCH (XXH200)																
Part Number	List Price	Number of Grooves	Pitch Diameter	Outside Diameter		Bush	Type	Dimensions, Inches					Bore Range		Weight Lbs □ (Approx.)	
				Pulley	Flange			E	L	M	K	H	F	Min		Max *
18XXH200QD	\$ 228.00	18	7.162	7.042	7.88	SK	A1F	1/32	1-7/8	25/32	11/16		2-5/8	1/2	2-1/2	18.1
20XXH200QD	\$ 254.40	20	7.958	7.838	8.69	SK	A1F	1/32	1-7/8	25/32	11/16		2-5/8	1/2	2-1/2	21.8
22XXH200QD	\$ 254.00	22	8.753	8.633	9.50	E	D1F	13/32	2-5/8	13/32	1/2		2-5/8	7/8	3-7/16	30.7
24XXH200QD	\$ 292.00	24	9.549	9.429	10.31	E	D1F	13/32	2-5/8	13/32	1/2		2-5/8	7/8	3-7/16	36.4
26XXH200QD	\$ 316.80	26	10.345	10.225	11.06	E	D2F	13/32	2-5/8	13/32	1/2		2-5/8	7/8	3-7/16	42.0
30XXH200QD	\$ 368.00	30	11.937	11.817	12.69	F	C2F	1	3-5/8	0	1/16		2-5/8	1	3-15/16	58.5
34XXH200QD	\$ 418.00	34	13.528	13.408	14.25	F	C2F	1	3-5/8	0	1/16		2-5/8	1	3-15/16	67.6
40XXH200QD	\$ 506.00	40	15.915	15.795	16.62	F	C3F	1	3-5/8	0	1/16		2-5/8	1	3-15/16	70.6
48XXH200QD	\$ 570.00	48	19.099	18.979		J	C3	1-17/32	4-1/2	11/32	+9/32		2-5/8	1-7/16	4-7/16	88.5
60XXH200QD	\$ 734.00	60	23.873	23.753		J	C3	1-17/32	4-1/2	11/32	+9/32		2-5/8	1-7/16	4-7/16	108.6
72XXH200QD	\$ 899.20	72	28.648	28.528		J	C3	1-17/32	4-1/2	11/32	+9/32		2-5/8	1-7/16	4-7/16	127.5
90XXH200QD	\$1,140.00	90	35.810	35.960		J	C3	1-17/32	4-1/2	11/32	+9/32		2-5/8	1-7/16	4-7/16	156.9

FOR BELTS 3 INCH WIDE • 1-1/4 INCH PITCH (XXH200)																
Part Number	List Price	Number of Grooves	Pitch Diameter	Outside Diameter		Bush	Type	Dimensions, Inches					Bore Range		Weight Lbs □ (Approx.)	
				Pulley	Flange			E	L	M	K	H	F	Min		Max *
18XXH300QD	\$ 254.40	18	7.162	7.042	7.88	SF	A1F	11/16	2	1	1-3/8		3-11/16	1/2	2-3/4	22.6
20XXH300QD	\$ 277.20	20	7.958	7.838	8.69	SF	A1F	11/16	2	1	1-3/8		3-11/16	1/2	2-3/4	28.2
22XXH300QD	\$ 292.00	22	8.753	8.633	9.50	E	A1F	1/8	2-5/8	15/16	1-1/32		3-11/16	7/8	3-7/16	36.9
24XXH300QD	\$ 330.00	24	9.549	9.429	10.31	E	A1F	1/8	2-5/8	15/16	1-1/32		3-11/16	7/8	3-7/16	43.8
26XXH300QD	\$ 368.00	26	10.345	10.225	11.06	E	A2F	1/8	2-5/8	15/16	1-1/32		3-11/16	7/8	3-7/16	50.2
30XXH300QD	\$ 430.00	30	11.937	11.817	12.69	F	D2F	15/32	3-5/8	17/32	19/32		3-11/16	1	3-15/16	75.0
34XXH300QD	\$ 494.00	34	13.528	13.408	14.25	F	D2F	15/32	3-5/8	17/32	19/32		3-11/16	1	3-15/16	78.7
40XXH300QD	\$ 595.20	40	15.915	15.795	16.62	F	D3F	15/32	3-5/8	17/32	19/32		3-11/16	1	3-15/16	86.2
48XXH300QD	\$ 704.00	48	19.099	18.979		J	D3	1	4-1/2	3/16	1/4		3-11/16	1-7/16	4-7/16	105.6
60XXH300QD	\$ 874.00	60	23.873	23.753		J	D3	1	4-1/2	3/16	1/4		3-11/16	1-7/16	4-7/16	128.3
72XXH300QD	\$1,064.00	72	28.648	28.528		J	D3	1	4-1/2	3/16	1/4		3-11/16	1-7/16	4-7/16	158.4
90XXH300QD	\$1,352.80	90	35.810	35.960		J	D3	1	4-1/2	3/16	1/4		3-11/16	1-7/16	4-7/16	208.8

FOR BELTS 4 INCH WIDE • 1-1/4 INCH PITCH (XXH200)																
Part Number	List Price	Number of Grooves	Pitch Diameter	Outside Diameter		Bush	Type	Dimensions, Inches					Bore Range		Weight Lbs □ (Approx.)	
				Pulley	Flange			E	L	M	K	H	F	Min		Max *
18XXH400QD	\$ 328.40	18	7.162	7.042	7.88	SF	A1F	11/16	2	2-1/16	1-3/8		4-3/4	1/2	2-3/4	27.3
20XXH400QD	\$ 368.00	20	7.958	7.838	8.69	SF	A1F	11/16	2	2-1/16	1-3/8		4-3/4	1/2	2-3/4	34.1
22XXH400QD	\$ 343.60	22	8.753	8.633	9.50	E	A1F	21/32	2-5/8	1-15/32	1-9/16		4-3/4	7/8	3-7/16	43.1
24XXH400QD	\$ 400.40	24	9.549	9.429	10.31	E	A1F	21/32	2-5/8	1-15/32	1-9/16		4-3/4	7/8	3-7/16	51.3
26XXH400QD	\$ 418.00	26	10.345	10.225	11.06	E	A1F	1/16	3-5/8	1-1/16	1-1/8		4-3/4	1	3-15/16	67.6
30XXH400QD	\$ 494.00	30	11.937	11.817	12.69	F	A2F	1/16	3-5/8	1-1/16	1-1/8		4-3/4	1	3-15/16	77.9
34XXH400QD	\$ 570.00	34	13.528	13.408	14.25	J	D2F	15/32	4-1/2	23/32	25/32		4-3/4	1-7/16	4-7/16	102.5
40XXH400QD	\$ 684.00	40	15.915	15.795	16.62	J	D3F	15/32	4-1/2	23/32	25/32		4-3/4	1-7/16	4-7/16	112.2
48XXH400QD	\$ 785.20	48	19.099	18.979		J	D3	15/32	4-1/2	23/32	25/32		4-3/4	1-7/16	4-7/16	119.9
60XXH400QD	\$1,013.20	60	23.873	23.753		M	C3	1-11/16	6-3/4	5/16	+7/32		4-3/4	2	5-1/2	203.3
72XXH400QD	\$1,231.20	72	28.648	28.528		M	C3	1-11/16	6-3/4	5/16	+7/32		4-3/4	2	5-1/2	258.3
90XXH400QD	\$1,565.60	90	35.810	35.960		M	C3	1-11/16	6-3/4	5/16	+7/32		4-3/4	2	5-1/2	293.9

FOR BELTS 5 INCH WIDE • 1-1/4 INCH PITCH (XXH200)																
Part Number	List Price	Number of Grooves	Pitch Diameter	Outside Diameter		Bush	Type	Dimensions, Inches					Bore Range		Weight Lbs □ (Approx.)	
				Pulley	Flange			E	L	M	K	H	F	Min		Max *
18XXH500MPB	\$ 343.20	18	7.162	7.042	7.88	*	MRF	1-1/4	5	2-1/16			5-13/16	1-1/4	3-1/4	48.6
20XXH500MPB	\$ 376.40	20	7.958	7.838	8.69	*	MRF	1-1/4	5	2-1/16			5-13/16	1-1/4	3-1/4	61.0
22XXH500QD	\$ 365.20	22	8.753	8.633	9.50	E	A1F	1-3/16	2-5/8	2	2-3/32		5-13/16	7/8	3-7/16	49.4
24XXH500QD	\$ 418.00	24	9.549	9.429	10.31	F	A1F	19/32	3-5/8	1-19/32	1-21/32		5-13/16	1	3-15/16	65.9
26XXH500QD	\$ 456.00	26	10.345	10.225	11.06	F	A1F	19/32	3-5/8	1-19/32	1-21/32		5-13/16	1	3-15/16	75.7
30XXH500QD	\$ 545.60	30	11.937	11.817	12.69	J	A1F	1/16	4-1/2	1-1/4	1-5/16		5-13/16	1-7/16	4-7/16	109.1
34XXH500QD	\$ 633.20	34	13.528	13.408	14.25	J	A2F	1/16	4-1/2	1-1/4	1-5/16		5-13/16	1-7/16	4-7/16	113.6
40XXH500QD	\$ 760.00	40	15.915	15.795	16.62	J	A3F	1/16	4-1/2	1-1/4	1-5/16		5-13/16	1-7/16	4-7/16	125.9
48XXH500QD	\$ 885.20	48	19.099	18.979		M	D3	1-15/32	6-3/4	7/32	5/16		5-13/16	2	5-1/2	188.7
60XXH500QD	\$1,014.00	60	23.873	23.753		M	D3	1-15/32	6-3/4	7/32	5/16		5-13/16	2	5-1/2	229.3
72XXH500QD	\$1,398.40	72	28.648	28.528		M	D3	1-15/32	6-3/4	7/32	5/16		5-13/16	2	5-1/2	266.5
90XXH500QD	\$1,778.40	90	35.810	35.960		M	D3	1-15/32	6-3/4	7/32	5/16		5-13/16	2	5-1/2	363.1

*Bored to suit construction (Type M) minimum plain bore only carried in stock □ Weight shown is for pulley with bushing
 "r" = Reverse mount only ** List Prices Shown are for Sheave Only. Bushing list prices are shown at the front of Section C.
 • Maximum bore without keyway



8M stock sprocket dimensions high torque drives

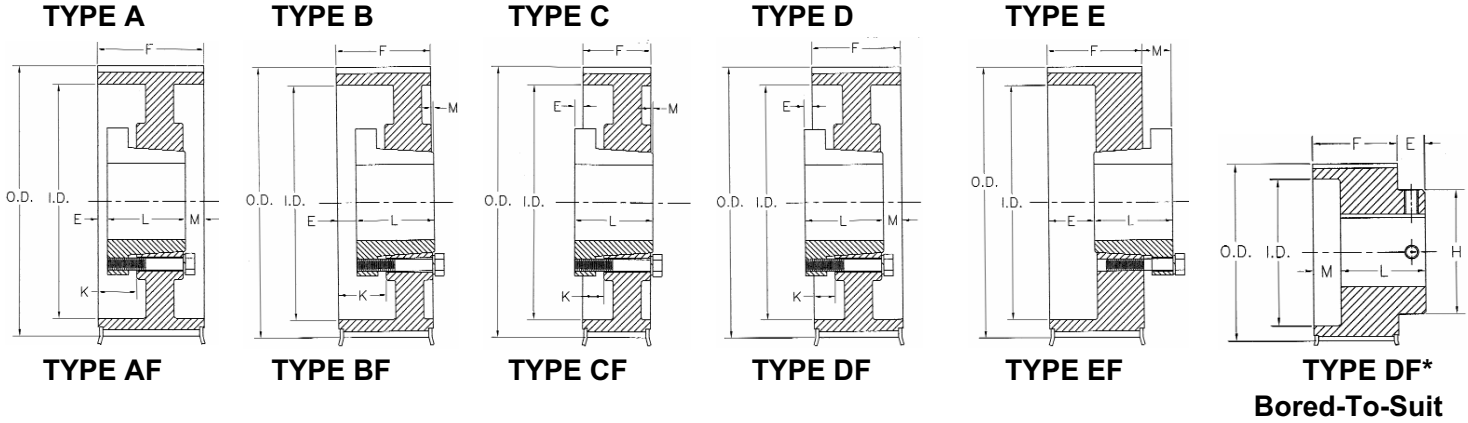


Figure Following Letter in Column Headed "TYPE" in Table Below Indicates Sheave Construction
1 - Solid, No Web. 2 - Web. 3 - Arms "F" Indicates Flanged Pulley

FOR BELTS 20MM (.79 in.) WIDE • 8MM PITCH (8M-20) FACE WIDTH (F) = 1-1/8														
SPROCKET NUMBER	LIST PRICE	NUMBER OF TEETH	DIAMETERS			TYPE	DIMENSIONS(INCHES)				BORE RANGE		APPROX WT. LBS.	
			P.D	O.D.			I.D.	E	K	L	M	MIN		MAX
				Sprocket	Flange									
P22-8M-20-MPB	\$ 52.00	22	2.206	2.152	2.56		D1F*	5/8	1-5/8	1-3/4	0	1/2*	1-3/16	1.1
P24-8M-20-JA	\$ 53.00	24	2.406	2.352	2.76	1.34	E1F	9/16	0	1	7/16	1/2	1-1/4	1.0
P26-8M-20JA	\$ 54.00	26	2.607	2.553	2.95	1.88	E1F	9/16	0	1	7/16	1/2	1-1/4	1.2
P28-8M-20-HQ	\$ 55.00	28	2.807	2.759	3.15	1.57	E1F	1/4	0	1-1/4	3/8	1/2	1-1/2	1.6
P30-8M-20-HQ	\$ 57.00	30	3.008	2.958	3.35	1.57	E1F	1/4	0	1-1/4	3/8	1/2	1-1/2	1.9
P32-8M-20-HQ	\$ 59.00	32	3.208	3.156	3.54	2.56	E1F	0	1/4	1-1/4	1/8	1/2	1-1/2	2.0
P34-8M-20-SH	\$ 60.00	34	3.409	3.355	3.82	2.75	D1F	3/16	5/16	1-1/4	1/16	1/2	1-11/16	2.0
P36-8M-20-SH	\$ 62.00	36	3.609	3.555	3.94	2.82	D1F	3/16	5/16	1-1/4	1/16	1/2	1-11/16	2.2
P38-8M-20-SH	\$ 64.00	38	3.810	3.756	4.13	3.00	D1F	3/16	5/16	1-1/4	1/16	1/2	1-11/16	2.5
P40-8M-20-SH	\$ 68.00	40	4.010	3.956	4.33	3.00	D1F	3/16	5/16	1-1/4	1/16	1/2	1-11/16	2.8
P44-8M-20-SDS	\$ 79.00	44	4.411	4.357	4.76	3.50	C1F	3/16	3/8	1-5/16	0	1/2	2	3.4
P48-8M-20-SDS	\$ 92.00	48	4.812	4.758	5.16	3.80	C1F	3/16	3/8	1-5/16	0	1/2	2	4.0
P56-8M-20-SDS	\$ 102.00	56	5.614	5.560	5.95	4.60	C1F	3/16	3/8	1-5/16	0	1/2	2	5.3
P64-8M-20-SDS	\$ 125.00	64	6.416	6.362	6.77	5.40	C1F	3/16	3/8	1-5/16	0	1/2	2	6.9
P72-8M-20-SDS	\$ 128.00	72	7.218	7.164	7.60	6.20	C2F	3/16	3/8	1-5/16	0	1/2	2	6.7
P80-8M-20-SDS	\$ 138.00	80	8.020	7.966	8.39	6.90	C2F	3/16	3/8	1-5/16	0	1/2	2	7.5
P90-8M-20-SDS	\$ 142.00	90	9.023	8.969	7.90	7.90	C3	3/16	3/8	1-5/16	0	1/2	2	8.0

FOR BELTS 30MM (1.18 in.) WIDE • 8MM PITCH (8M-30) FACE WIDTH (F) = 1-1/2														
SPROCKET NUMBER	LIST PRICE	NUMBER OF TEETH	DIAMETERS			TYPE	DIMENSIONS(INCHES)				BORE RANGE		APPROX WT. LBS.	
			P.D	O.D.			I.D.	E	K	L	M	MIN		MAX
				Sprocket	Flange									
P22-8M-30-MPB	\$ 53.00	22	2.206	2.152	2.56		D1F*	5/8	1-5/8	2-1/8	0	*1/2	1-3/16	1.5
P24-8M-30-MPB	\$ 54.00	24	2.406	2.352	2.76		D1F*	5/8	1-13/16	2-1/8	0	*1/2	1-1/4	1.9
P26-8M-30-MPB	\$ 56.00	26	2.607	2.553	2.95		D1F*	3/4	2	2-1/4	0	*1/2	1-1/4	2.4
P28-8M-30-HQ	\$ 59.00	28	2.807	2.759	3.15	1.57	E1F	5/8	0	1-1/4	3/8	1/2	1-1/2	1.8
P30-8M-30-HQ	\$ 60.00	30	3.008	2.958	3.35	1.57	E1F	5/8	0	1-1/4	3/8	1/2	1-1/2	2.2
P32-8M-30-HQ	\$ 62.00	32	3.208	3.156	3.54	2.56	E1F	0	0	1-1/4	-1/4	1/2	1-1/2	2.0
P34-8M-30-SH	\$ 63.00	34	3.409	3.355	3.82	2.75	A1F	3/16	11/16	1-1/4	1/16	1/2	1-11/16	2.3
P36-8M-30-SH	\$ 68.00	36	3.609	3.555	3.94	2.82	A1F	3/16	11/16	1-1/4	1/16	1/2	1-11/16	2.7
P38-8M-30-SH	\$ 70.00	38	3.810	3.756	4.13	3.00	A1F	3/16	11/16	1-1/4	1/16	1/2	1-11/16	3.0
P40-8M-30-SH	\$ 78.00	40	4.010	3.956	4.33	3.00	A1F	3/16	11/16	1-1/4	1/16	1/2	1-11/16	3.3
P44-8M-30-SDS	\$ 86.00	44	4.411	4.357	4.76	3.50	B1F	3/16	3/4	1-5/16	0	1/2	2	3.8
P48-8M-30-SDS	\$ 93.00	48	4.812	4.758	5.16	3.80	B1F	3/16	3/4	1-5/16	0	1/2	2	4.5
P56-8M-30-SDS	\$ 104.00	56	5.614	5.560	5.95	4.60	B1F	3/16	3/4	1-5/16	0	1/2	2	5.9
P64-8M-30-SK	\$ 126.00	64	6.416	6.362	6.77	5.40	C1F	3/8	1/4	1-7/8	0	1/2	2-5/8	10.4
P72-8M-30-SK	\$ 138.00	72	7.218	7.164	7.60	6.20	C2F	3/8	1/4	1-7/8	0	1/2	2-5/8	10.0
P80-8M-30-SK	\$ 142.00	80	8.020	7.966	8.39	6.90	C2F	3/8	1/4	1-7/8	0	1/2	2-5/8	11.8
P90-8M-30-SK	\$ 146.00	90	9.023	8.969	7.90	7.90	C2	3/8	1/4	1-7/8	0	1/2	2-5/8	13.5
P112-8M-30-SK	\$ 186.00	112	11.229	11.175	10.00	10.00	C3	3/8	1/4	1-7/8	0	1/2	2-5/8	15.2

Weights for all FUL-GRIP bushed items are approximate and include the bushing.

FUL-GRIP is a registered trademark of Maurey Manufacturing Corporation

** List Prices Shown are for Sheave Only. Bushing list prices are shown at the front of Section C.

* Minimum plain bore with no keyway or setscrews

• Maximum Bore without Keyway



8M stock sprocket dimensions high torque drives

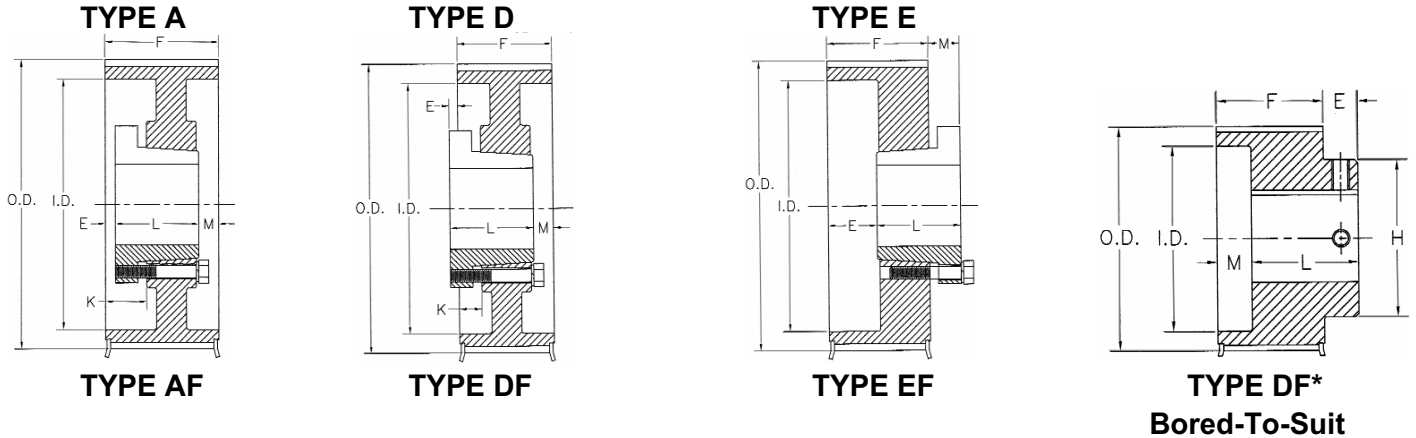


Figure Following Letter in Column Headed "TYPE" in Table Below Indicates Sheave Construction
 1 - Solid, No Web. 2 - Web. 3 - Arms "F" Indicates Flanged Pulley

FOR BELTS 50MM (1.97 in.) WIDE • 8MM PITCH (8M-50)													FACE WIDTH (F) = 2-3/8	
SPROCKET NUMBER	LIST PRICE	NUMBER OF TEETH	DIAMETERS				TYPE	DIMENSIONS(INCHES)				BORE RANGE		APPROX WT. LBS.
			P.D	O.D.		I.D.		E	K	L	M	MIN	MAX	
				Sprocket	Flange									
P28-8M-50-MPB	\$ 80.00	28	2.807	2.759	3.15		D1F	3/4	2-9/32	3-1/8	0	*1/2	1-3/8	4.2
P30-8M-50-MPB	\$ 82.00	30	3.008	2.958	3.35		D1F	3/4	2-15/32	3-1/8	0	*1/2	1-3/8	4.9
P32-8M-50-HQ	\$ 83.00	32	3.208	3.156	3.54	2.56	E1F	0	5/8	1-1/4	1/4	1/2	1-1/2	2.5
P34-8M-50-SH	\$ 84.00	34	3.409	3.355	3.82	2.75	A1F	0	1/2	1-1/4	1-1/8	1/2	1-11/16	2.7
P36-8M-50-SH	\$ 85.00	36	3.609	3.555	3.94	2.82	A1F	0	1/2	1-1/4	1-1/8	1/2	1-11/16	3.4
P38-8M-50-SH	\$ 86.00	38	3.810	3.756	4.13	3.00	A1F	0	1/2	1-1/4	1-1/8	1/2	1-11/16	3.7
P40-8M-50-SH	\$ 88.00	40	4.010	3.956	4.33	3.00	D1F	0	1/2	1-1/4	1-1/8	1/2	1-11/16	4.2
P44-8M-50-SD	\$ 94.00	44	4.411	4.357	4.76	3.50	A1F	0	9/16	1-13/16	9/16	1/2	2	5.7
P48-8M-50-SD	\$ 98.00	48	4.812	4.758	5.16	3.80	A1F	0	9/16	1-13/16	9/16	1/2	2	6.9
P56-8M-50-SK	\$ 115.00	56	5.614	5.560	5.95	4.60	D1F	1/16	9/16	1-7/8	9/16	1/2	2-5/8	9.4
P64-8M-50-SK	\$ 130.00	64	6.416	6.362	6.77	5.40	D1F	1/16	9/16	1-7/8	9/16	1/2	2-5/8	12.0
P72-8M-50-SK	\$ 144.00	72	7.218	7.164	7.60	6.20	D1F	1/16	9/16	1-7/8	9/16	1/2	2-5/8	15.0
P80-8M-50-SF	\$ 155.00	80	8.020	7.966	8.39	6.90	D2F	1/16	9/16	2	7/16	1/2	2-15/16	17.0
P90-8M-50-SF	\$ 186.00	90	9.023	8.969		7.90	D2	1/16	9/16	2	7/16	1/2	2-15/16	19.1
P112-8M-50-SF	\$ 234.00	112	11.229	11.175		10.00	D3	1/16	9/16	2	7/16	1/2	2-15/16	23.9
P144-8M-50-E	\$ 373.00	144	14.437	14.383		13.20	D3	1/2	3/8	2-5/8	1/4	7/8	3-1/2	38.1
P192-8M-50-E	\$ 432.00	192	19.249	19.195		18.00	D3	1/2	3/8	2-5/8	1/4	7/8	3-1/2	52.5

FOR BELTS 85MM (3.35 in.) WIDE • 8MM PITCH (8M-85)													FACE WIDTH (F) = 3-3/4	
SPROCKET NUMBER	LIST PRICE	NUMBER OF TEETH	DIAMETERS				TYPE	DIMENSIONS(INCHES)				BORE RANGE		APPROX WT. LBS.
			P.D	O.D.		I.D.		E	K	L	M	MIN	MAX	
				Sprocket	Flange									
P34-8M-85-SH	\$ 95.00	34	3.409	3.355	3.82	2.75	A1F	1	1-1/2	1-1/4	1-1/2	1/2	1-11/16	3.5
P36-8M-85-SH	\$ 100.00	36	3.609	3.555	3.94	2.82	A1F	1	1-1/2	1-1/4	1-1/2	1/2	1-11/16	4.4
P38-8M-85-SH	\$ 102.00	38	3.810	3.756	4.13	3.00	A1F	1	1-1/2	1-1/4	1-1/2	1/2	1-11/16	4.9
P40-8M-85-SD	\$ 106.00	40	4.010	3.956	4.33	3.25	A1F	11/16	1-1/4	1-13/16	1-1/4	1/2	2	5.6
P44-8M-85-SD	\$ 110.00	44	4.411	4.357	4.76	3.50	A1F	11/16	1-1/4	1-13/16	1-1/4	1/2	2	7.1
P48-8M-85-SD	\$ 120.00	48	4.812	4.758	5.16	3.80	A1F	11/16	1-1/4	1-13/16	1-1/4	1/2	2	8.7
P56-8M-85-SK	\$ 140.00	56	5.614	5.560	5.95	4.60	A1F	5/8	1-1/4	1-7/8	1-1/4	1/2	2-5/8	11.6
P64-8M-85-SK	\$ 163.00	64	6.416	6.362	6.77	5.40	A1F	5/8	1-1/4	1-7/8	1-1/4	1/2	2-5/8	14.6
P72-8M-85-E	\$ 177.00	72	7.218	7.164	7.60	6.19	A1F	5/32	1-1/16	2-5/8	31/32	7/8	3-1/2	24.0
P80-8M-85-E	\$ 194.00	80	8.020	7.966	8.39	6.90	A2F	5/8	1-1/4	2	1-1/8	1/2	2-15/16	29.1
P90-8M-85-SF	\$ 245.00	90	9.023	8.969		7.90	A2	5/8	1-1/4	2	1-1/8	1/2	2-15/16	35.5
P112-8M-85-F	\$ 308.00	112	11.229	11.175		10.00	A3	5/8	1-1/4	2	1-1/8	1/2	2-15/16	70.5
P144-8M-85-F	\$ 430.00	144	14.437	14.383		13.20	A3	3/16	1-1/16	2-5/8	15/16	7/8	3-1/2	64.5
P192-8M-85-F	\$ 485.00	192	19.249	19.195		18.00	A3	3/16	1-1/16	2-5/8	15/16	7/8	3-1/2	78.1

Weights for all FUL-GRIP bushed items are approximate and include the bushing.
 FUL-GRIP is a registered trademark of Maurey Manufacturing Corporation

* Minimum plain bore with no keyway or setscrews
 • Maximum Bore without Keyway

** List Prices Shown are for Sheave Only. Bushing list prices are shown at the front of Section C.



14M stock sprocket dimensions high torque drives

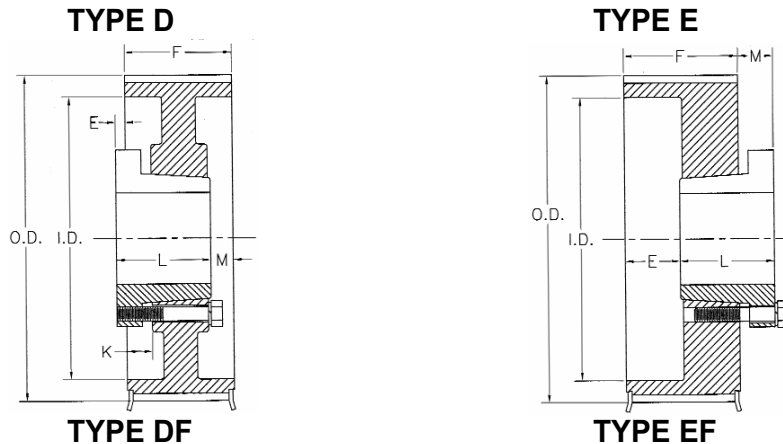
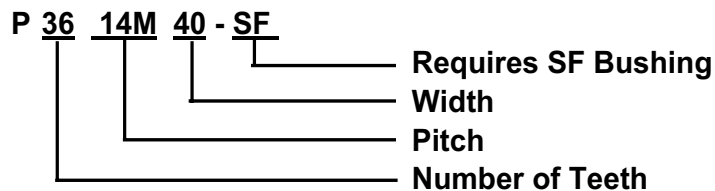


Figure Following Letter in Column Headed "TYPE" in Table Below Indicates Sheave Construction
1 - Solid, No Web. 2 - Web. 3 - Arms "F" Indicates Flanged Pulley

Part Number Explanation



FOR BELTS 40MM (1.57 in.) WIDE • 14MM PITCH (14M-40) FACE WIDTH (F)=2-1/8

SPROCKET NUMBER	LIST PRICE	NUMBER OF TEETH	DIAMETERS				TYPE	DIMENSIONS(INCHES)				BORE RANGE		APPROX WT. LBS.
			P.D	O.D.		I.D.		E	K	L	M	MIN	MAX	
				Sprocket	Flange									
P28-14M-40-SK	\$ 85.00	28	4.912	4.802	5.56	3.12	E1F	7/8	0	1-7/8	5/8	1/2	2-5/8	7.2
P29-14M-40-SK	\$ 90.00	29	5.088	4.978	5.56	3.12	E1F	7/8	0	1-7/8	5/8	1/2	2-5/8	7.9
P30-14M-40-SK	\$ 93.00	30	5.263	5.153	5.56	3.92	D1F	3/16	7/16	1-7/8	7/16	1/2	2-5/8	7.6
P32-14M-40-SK	\$ 102.00	32	5.614	5.504	6.09	3.92	D1F	3/16	7/16	1-7/8	7/16	1/2	2-5/8	9.2
P34-14M-40-SK	\$ 105.00	34	5.965	5.855	6.50	4.06	D1F	3/16	7/16	1-7/8	7/16	1/2	2-5/8	10.6
P36-14M-40-SF	\$ 115.00	36	6.316	6.206	6.87	4.84	D1F	3/16	7/16	2	5/16	1/2	2-5/16	11.9
P38-14M-40-SF	\$ 130.00	38	6.667	6.557	7.22	4.94	D1F	3/16	7/16	2	5/16	1/2	2-5/16	13.3
P40-14M-40-SF	\$ 130.00	40	7.018	6.908	7.50	5.06	D1F	3/16	7/16	2	5/16	1/2	2-5/16	15.1
P44-14M-40-E	\$ 155.00	44	7.720	7.610	8.34	6.12	D1F	5/8	1/4	2-5/8	1/8	7/8	3-1/2	21.7
P48-14M-40-E	\$ 165.00	48	8.421	8.311	8.90	6.50	D1F	5/8	1/4	2-5/8	1/8	7/8	3-1/2	25.9
P52-14M-40-E	\$ 172.00	52	9.123	9.013	9.68	7.18	D1F	5/8	1/4	2-5/8	1/8	7/8	3-1/2	30.0
P56-14M-40-E	\$ 175.00	56	9.825	9.715	10.38	7.88	D1F	5/8	1/4	2-5/8	1/8	7/8	3-1/2	34.6
P60-14M-40-E	\$ 227.00	60	10.527	10.417	11.06	8.50	D1F	5/8	1/4	2-5/8	1/8	7/8	3-1/2	39.4
P64-14M-40-E	\$ 260.00	64	11.229	11.119	11.68	9.25	D2F	5/8	1/4	2-5/8	1/8	7/8	3-1/2	35.7
P68-14M-40-E	\$ 265.00	68	11.930	11.820	12.50	10.00	D2F	5/8	1/4	2-5/8	1/8	7/8	3-1/2	38.0
P72-14M-40-E	\$ 272.00	72	12.632	12.522	13.19	10.69	D2F	5/8	1/4	2-5/8	1/8	7/8	3-1/2	36.8
P80-14M-40-E	\$ 280.00	80	14.036	13.926	14.63	12.13	D2F	5/8	1/4	2-5/8	1/8	7/8	3-1/2	41.1
P90-14M-40-E	\$ 288.00	90	15.790	15.680		14.50	D3	5/8	1/4	2-5/8	1/8	7/8	3-1/2	42.9
P112-14M-40-E	\$ 365.00	112	19.650	19.540		18.38	D3	5/8	1/4	2-5/8	1/8	7/8	3-1/2	53.8
P144-14M-40-E	\$ 480.00	144	25.264	25.154		23.88	D3	5/8	1/4	2-5/8	1/8	7/8	3-1/2	80.9

Weights for all FUL-GRIP bushed items are approximate and include the bushing. * Minimum plain bore with no keyway or setscrews
FUL-GRIP is a registered trademark of Maurey Manufacturing Corporation

** List Prices Shown are for Sheave Only. Bushing list prices are shown at the front of Section C.



14M stock sprocket dimensions high torque drives

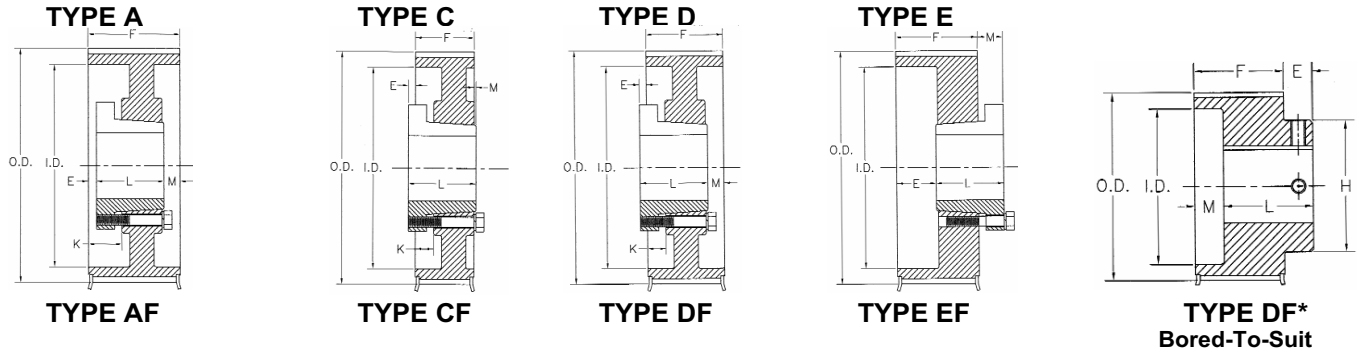


Figure Following Letter in Column Headed "TYPE" in Table Below Indicates Sheave Construction
1 - Solid, No Web. 2 - Web. 3 - Arms "F" Indicates Flanged Pulley

FOR BELTS 55MM (2.17 in.) WIDE • 14MM PITCH (14M-55) FACE WIDTH (F) = 2-3/4

SPROCKET NUMBER	LIST PRICE	NUMBER OF TEETH	DIAMETERS				TYPE	DIMENSIONS(INCHES)				BORE RANGE		APPROX WT. LBS.
			P.D	O.D.		I.D.		E	K	L	M	MIN	MAX	
				Sprocket	Flange									
P28-14M-55-SK	\$ 100.00	28	4.912	4.802	5.56	3.12	E1F	1-1/2	0	1-7/8	5/8	1/2	2-5/8	8.5
P29-14M-55-SK	\$ 105.00	29	5.088	4.978	5.56	3.12	E1F	1-1/2	0	1-7/8	5/8	1/2	2-5/8	9.5
P30-14M-55-SK	\$ 108.00	30	5.263	5.153	6.09	3.92	A1F	1/8	3/4	1-7/8	3/4	1/2	2-5/8	8.7
P32-14M-55-SK	\$ 114.00	32	5.614	5.504	6.09	3.92	A1F	1/8	3/4	1-7/8	3/4	1/2	2-5/8	10.7
P34-14M-55-SK	\$ 120.00	34	5.965	5.855	6.50	4.06	A1F	1/8	3/4	1-7/8	3/4	1/2	2-5/8	12.5
P36-14M-55-SF	\$ 125.00	36	6.316	6.206	6.87	4.84	A1F	1/8	3/4	2	5/8	1/2	2-15/16	13.6
P38-14M-55-SF	\$ 140.00	38	6.667	6.557	7.22	4.94	A1F	1/8	3/4	2	5/8	1/2	2-15/16	15.2
P40-14M-55-SF	\$ 143.00	40	7.018	6.908	7.50	5.06	A1F	1/8	3/4	2	5/8	1/2	2-15/16	17.4
P44-14M-55-E	\$ 165.00	44	7.720	7.610	8.34	6.12	D1F	5/16	9/16	2-5/8	7/16	7/8	3-1/2	23.8
P48-14M-55-E	\$ 170.00	48	8.421	8.311	8.90	6.50	D1F	5/16	9/16	2-5/8	7/16	7/8	3-1/2	28.8
P52-14M-55-E	\$ 178.00	52	9.123	9.013	9.68	7.18	D1F	5/16	9/16	2-5/8	7/16	7/8	3-1/2	33.2
P56-14M-55-E	\$ 180.00	56	9.825	9.715	10.38	7.88	D1F	5/16	9/16	2-5/8	7/16	7/8	3-1/2	38.0
P60-14M-55-E	\$ 240.00	60	10.527	10.417	11.06	8.50	D1F	5/16	9/16	2-5/8	7/16	7/8	3-1/2	43.3
P64-14M-55-F	\$ 275.00	64	11.229	11.119	11.68	9.25	D1F	7/8	1/8	3-5/8	0	1	4	62.6
P68-14M-55-F	\$ 285.00	68	11.930	11.820	12.50	10.00	D2F	7/8	1/8	3-5/8	0	1	4	54.5
P72-14M-55-F	\$ 290.00	72	12.632	12.522	13.19	10.69	D2F	7/8	1/8	3-5/8	0	1	4	58.0
P80-14M-55-F	\$ 338.00	80	14.036	13.926	14.63	12.13	D2F	7/8	1/8	3-5/8	0	1	4	61.9
P90-14M-55-F	\$ 345.00	90	15.790	15.680		14.50	D3	7/8	1/8	3-5/8	0	1	4	58.1
P112-14M-55-F	\$ 405.00	112	19.650	19.540		18.38	D3	7/8	1/8	3-5/8	0	1	4	72.2
P144-14M-55-F	\$ 520.00	144	25.264	25.154		23.88	D3	7/8	1/8	3-5/8	0	1	4	106.3
P168-14M-55-F	\$ 670.00	168	29.475	29.365		28.25	D3	7/8	1/8	3-5/8	0	1	4	110.2
P192-14M-55-F	\$ 840.00	192	33.686	33.576		32.38	D3	7/8	1/8	3-5/8	0	1	4	133.2
P216-14M-55-F	\$ 1,356.00	216	37.896	37.786		36.62	D3	7/8	1/8	3-5/8	0	1	4	161.6

FOR BELTS 85MM (3.35 in.) WIDE • 14MM PITCH (14M-85) FACE WIDTH (F) = 4

SPROCKET NUMBER	LIST PRICE	NUMBER OF TEETH	DIAMETERS				TYPE	DIMENSIONS(INCHES)				BORE RANGE		APPROX WT. LBS.
			P.D	O.D.		I.D.		E	K	L	M	MIN	MAX	
				Sprocket	Flange									
P28-14M-85-MPB	\$ 130.00	28	4.912	4.802	5.56	3.12	D1F*	1	3-11/16	4	1	*1-1/4	2-11/16	16.1
P29-14M-85-MPB	\$ 131.00	29	5.088	4.978	5.56	3.12	D1F*	1	3-11/16	4	1	*1-1/4	2-11/16	17.5
P30-14M-85-SK	\$ 132.00	30	5.263	5.153	5.56	3.92	A1F	3/4	1-3/8	1-7/8	1-3/8	1/2	2-5/8	10.8
P32-14M-85-SK	\$ 138.00	32	5.614	5.504	6.09	3.92	A1F	3/4	1-3/8	1-7/8	1-3/8	1/2	2-5/8	13.7
P34-14M-85-SK	\$ 150.00	34	5.965	5.855	6.50	4.06	A1F	3/4	1-3/8	1-7/8	1-3/8	1/2	2-5/8	16.2
P36-14M-85-SF	\$ 154.00	36	6.316	6.206	6.87	4.84	A1F	3/4	1-3/8	2	1-1/4	1/2	2-15/16	16.9
P38-14M-85-SF	\$ 160.00	38	6.667	6.557	7.22	4.94	A1F	3/4	1-3/8	2	1-1/4	1/2	2-15/16	19.1
P40-14M-85-SF	\$ 168.00	40	7.018	6.908	7.50	5.06	A1F	3/4	1-3/8	2	1-1/4	1/2	2-15/16	22.1
P44-14M-85-E	\$ 180.00	44	7.720	7.610	8.34	6.12	A1F	5/16	1-3/16	2-5/8	1-1/16	7/8	3-1/2	27.9
P48-14M-85-E	\$ 188.00	48	8.421	8.311	8.90	6.50	A1F	5/16	1-3/16	2-5/8	1-1/16	7/8	3-1/2	34.5
P52-14M-85-E	\$ 220.00	52	9.123	9.013	9.68	7.18	A1F	5/16	1-3/16	2-5/8	1-1/16	7/8	3-1/2	39.5
P56-14M-85-F	\$ 245.00	56	9.825	9.715	10.38	7.88	D1F	1/4	3/4	3-5/8	5/8	7/8	3-1/2	54.8
P60-14M-85-F	\$ 290.00	60	10.527	10.417	11.06	8.50	D1F	1/4	3/4	3-5/8	5/8	1	4	62.8
P64-14M-85-F	\$ 300.00	64	11.229	11.119	11.68	9.25	D1F	1/4	3/4	3-5/8	5/8	1	4	70.8
P68-14M-85-F	\$ 315.00	68	11.930	11.820	12.50	10.00	D2F	1/4	3/4	3-5/8	5/8	1	4	64.1
P72-14M-85-F	\$ 320.00	72	12.632	12.522	13.19	10.69	D2F	1/4	3/4	3-5/8	5/8	1	4	68.6
P80-14M-85-F	\$ 380.00	80	14.036	13.926	14.63	12.13	D2F	1/4	3/4	3-5/8	5/8	1	4	71.0
P90-14M-85-F	\$ 390.00	90	15.790	15.680		14.50	D3	1/4	3/4	3-5/8	5/8	1	4	68.5
P112-14M-85-F	\$ 460.00	112	19.650	19.540		18.25	D3	1/4	3/4	3-5/8	5/8	1	4	89.2
P144-14M-85-F	\$ 590.00	144	25.264	25.154		23.88	D3	1/4	3/4	3-5/8	5/8	1	4	118.3
P168-14M-85-J	\$ 780.00	168	29.475	29.365		28.12	D3	1/4	3/4	4-1/2	5/8	1-7/16	4-1/2	153.0
P192-14M-85-F	\$ 940.00	192	33.686	33.576		32.38	D3	1/4	3/4	4-1/2	5/8	1-7/16	4-1/2	182.0
P216-14M-85-J	\$ 1,470.00	216	37.896	37.786		36.38	D3	1/4	3/4	4-1/2	5/8	1-7/16	4-1/2	244.0

Weights for all FUL-GRIP bushed items are approximate and include the bushing. FUL-GRIP is a registered trademark of Maurey Manufacturing Corporation
 * Minimum plain bore with no keyway or setscrews
 • Maximum Bore without Keyway
 ** List Prices Shown are for Sheave Only. Bushing list prices are shown at the front of Section C.



14M stock sprocket dimensions high torque drives

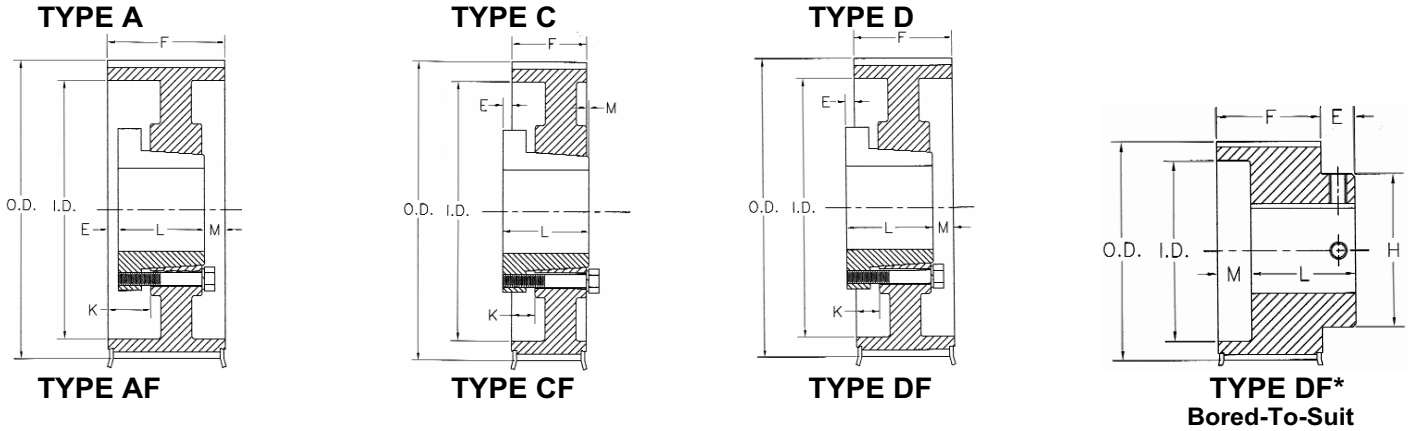


Figure Following Letter in Column Headed "TYPE" in Table Below Indicates Sheave Construction
 1 - Solid, No Web. 2 - Web. 3 - Arms "F" Indicates Flanged Pulley

FOR BELTS 115MM (4.53 in.) WIDE • 14MM PITCH (14M-115)													FACE WIDTH (F) = 5-1/4	
SPROCKET NUMBER	LIST PRICE	NUMBER OF TEETH	DIAMETERS				TYPE	DIMENSIONS(INCHES)				BORE RANGE		APPROX WT. LBS.
			P.D	O.D.		I.D.		E	K	L	M	MIN	MAX	
P28-14M-115-MPB	\$ 160.00	28	4.912	4.808	5.56	3.12	D1F*	1-1/4	3-11/16	5	1-1/2	*1-1/4	2-11/16	20.7
P29-14M-115-MPB	\$ 165.00	29	5.088	4.983	5.56	3.12	D1F*	1-1/4	3-11/16	5	1-1/2	*1-1/4	2-11/16	22.5
P30-14M-115-SK	\$ 169.00	30	5.263	5.157	6.09	3.92	A1F	1-3/8	2	1-7/8	2	1/2	2-11/16	12.9
P32-14M-115-SK	\$ 172.00	32	5.614	5.507	6.09	3.92	A1F	1-3/8	2	1-7/8	2	1/2	2-5/8	16.6
P34-14M-115-SK	\$ 183.00	34	5.965	5.858	6.50	4.06	A1F	1-3/8	2	1-7/8	2	1/2	2-5/8	19.9
P36-14M-115-SF	\$ 190.00	36	6.316	6.208	6.87	4.84	A1F	1-3/8	2	2	1-7/8	1/2	2-15/16	20.2
P38-14M-115-SF	\$ 200.00	38	6.667	6.559	7.22	4.94	A1F	1-3/8	2	2	1-7/8	1/2	2-15/16	22.9
P40-14M-115-SF	\$ 208.00	40	7.018	6.909	7.50	5.06	A1F	1-3/8	2	2	1-7/8	1/2	2-15/16	26.7
P44-14M-115-E	\$ 220.00	44	7.720	7.610	8.34	6.12	A1F	29/32	1-13/16	2-5/8	1-23/32	7/8	3-1/2	32.1
P48-14M-115-E	\$ 236.00	48	8.421	8.311	8.90	6.50	A1F	29/32	1-13/16	2-5/8	1-23/32	7/8	3-1/2	40.1
P52-14M-115-F	\$ 275.00	52	9.123	9.013	9.68	7.18	A1F	5/16	1-3/8	3-5/8	1-5/16	1	4	53.8
P56-14M-115-F	\$ 285.00	56	9.825	9.715	10.38	7.88	A1F	5/16	1-3/8	3-5/8	1-5/16	1	4	61.7
P60-14M-115-F	\$ 340.00	60	10.527	10.417	11.06	8.50	A1F	5/16	1-3/8	3-5/8	1-5/16	1	4	70.6
P64-14M-115-J	\$ 365.00	64	11.229	11.119	11.68	9.25	D1F	1/4	1	4-1/2	1	1-7/16	4-1/2	90.0
P68-14M-115-J	\$ 382.00	68	11.930	11.820	12.50	10.00	D1F	1/4	1	4-1/2	1	1-7/16	4-1/2	100.8
P72-14M-115-J	\$ 390.00	72	12.632	12.522	13.19	10.69	D1F	1/4	1	4-1/2	1	1-7/16	4-1/2	112.7
P80-14M-115-J	\$ 450.00	80	14.036	13.926	14.63	12.12	D2F	1/4	1	4-1/2	1	1-7/16	4-1/2	100.8
P90-14M-115-J	\$ 500.00	90	15.790	15.680	14.50	14.50	D2	1/4	1	4-1/2	1	1-7/16	4-1/2	89.3
P112-14M-115-J	\$ 620.00	112	19.650	19.540	18.25	18.25	D3	1/4	1	4-1/2	1	1-7/16	4-1/2	116.5
P144-14M-115-J	\$ 780.00	144	25.264	25.154	23.88	23.88	D3	1/4	1	4-1/2	1	1-7/16	4-1/2	159.5
P168-14M-115-M	\$ 970.00	168	29.475	29.365		28.10	C3	1-13/32	1/16	6-3/4	3/32	1-15/16	5-1/2	261.0
P192-14M-115-M	\$ 1,120.00	192	33.686	33.576		32.25	C3	1-13/32	1/16	6-3/4	3/32	1-15/16	5-1/2	302.0
P216-14M-115-M	\$ 1,690.00	216	37.896	37.786		36.38	C3	1-13/32	1/16	6-3/4	3/32	1-15/16	5-1/2	350.0

FOR BELTS 170MM (6.69 in.) WIDE • 14MM PITCH (14MM-170)													FACE WIDTH (F) = 7-3/8	
SPROCKET NUMBER	LIST PRICE	NUMBER OF TEETH	DIAMETERS				TYPE	DIMENSIONS(INCHES)				BORE RANGE		APPROX WT. LBS.
			P.D	O.D.		I.D.		E	K	L	M	MIN	MAX	
P44-14M-170-E	\$ 300.00	44	7.720	7.610	8.34	6.12	A1F	2	2-7/8	2-5/8	2-3/4	7/8	3-1/2	39.1
P48-14M-170-E	\$ 302.00	48	8.421	8.311	8.90	6.50	A1F	2	2-7/8	2-5/8	2-3/4	7/8	3-1/2	49.8
P52-14M-170-F	\$ 320.00	52	9.123	9.013	9.68	7.18	A1F	1-7/16	2-7/16	3-5/8	2-5/16	1	4	64.6
P56-14M-170-F	\$ 330.00	56	9.825	9.715	10.38	7.88	A1F	1-7/16	2-7/16	3-5/8	2-5/16	1	4	73.4
P60-14M-170-J	\$ 430.00	60	10.527	10.417	11.06	8.50	A1F	15/16	2-1/8	4-1/2	1-15/16	1-7/16	4-1/2	93.1
P64-14M-170-J	\$ 460.00	64	11.229	11.119	11.68	9.25	A1F	15/16	2-1/8	4-1/2	1-15/16	1-7/16	4-1/2	103.9
P68-14M-170-J	\$ 490.00	68	11.930	11.820	12.50	10.00	A1F	15/16	2-1/8	4-1/2	1-15/16	1-7/16	4-1/2	115.3
P72-14M-170-J	\$ 520.00	72	12.632	12.522	13.19	10.69	A1F	15/16	2-1/8	4-1/2	1-15/16	1-7/16	4-1/2	128.2
P80-14M-170-J	\$ 530.00	80	14.036	13.926	14.63	12.12	A2F	15/16	2-1/8	4-1/2	1-15/16	1-7/16	4-1/2	119.9
P90-14M-170-J	\$ 610.00	90	15.790	15.680	14.50	14.50	A2	15/16	2-1/8	4-1/2	1-15/16	1-7/16	4-1/2	104.2
P112-14M-170-M	\$ 850.00	112	19.650	19.540		18.25	A3	0	1-7/16	6-3/4	5/8	2	5-1/2	205.6
P144-14M-170-M	\$ 1,050.00	144	25.264	25.154		23.62	A3	0	1-7/16	6-3/4	5/8	2	5-1/2	268.2
P168-14M-170-M	\$ 1,360.00	168	29.475	29.365		28.10	A3	0	1-7/16	6-3/4	5/8	2	5-1/2	293.3
P192-14M-170-M	\$ 1,460.00	192	33.686	33.576		32.25	A3	0	1-7/16	6-3/4	5/8	2	5-1/2	334.9
P216-14M-170-M	\$ 2,080.00	216	37.896	37.786		36.38	A3	0	1-7/16	6-3/4	5/8	2	5-1/2	383.6

Weights for all FUL-GRIP bushed items are approximate and include the bushing.
 FUL-GRIP is a registered trademark of Maurey Manufacturing Corporation

* Minimum plain bore with no keyway or setscrews
 • Maximum Bore without Keyway

** List Prices Shown are for Sheave Only. Bushing list prices are shown at the front of Section C.

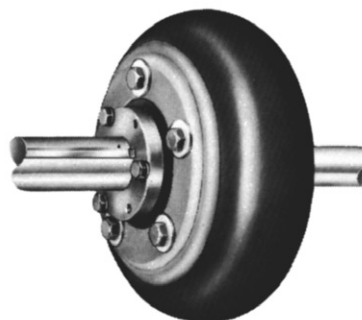


HI-Q COUPLINGS



STYLE 1

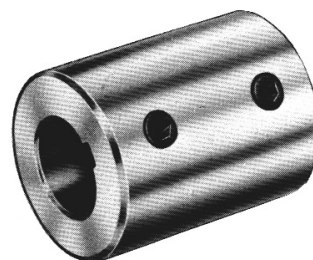
HI-FLEX COUPLINGS



Fixed Bore Sleeve Couplings



STYLE 2



Rigid Bushed Sleeve Couplings



Hi-Q[®] Flexible Couplings

to enable full power transmission while compensating for

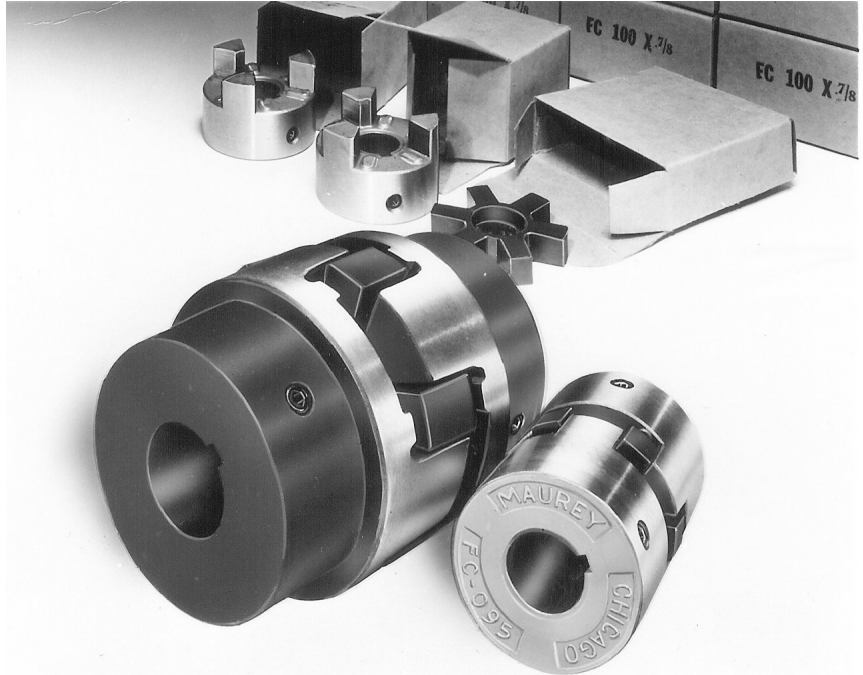
No abrasive wear: Hi-Q Design prevents metal-to-metal contact.

Greater flexibility: Buna-N and Urethane spider compression units compensate for minor angular and center line misalignments.

True alignment: Parts are accurately machined to insure perfect alignment of end pieces from bores to O.D.'s..... rust resistant

Standardized for interchangeability

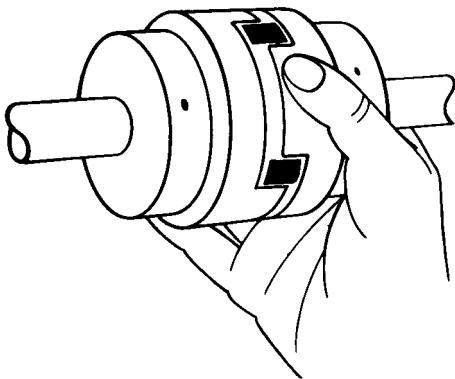
Wide temperature range: Buna-N has an ambient temperature range from -20F to 180F.....Urethane from -80F to 180F



STYLE 2, FIXED BORE
Machined Cast Iron,
for larger horsepower

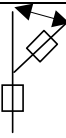
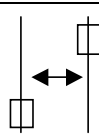
STYLE 1, FIXED BORE
Sintered Metal, for
smaller Horsepower

Fast Installation....No need to adjust ends and spider for proper spacing



1. Mount both coupling halves, including keys if any, on their respective shafts.
2. Insert flexible spider and bring coupling halves together. Space pads on coupling halves provide the correct spacing.
3. Check alignment between the two halves using a steel straight edge across the top of both coupling halves.

HI-Q MISALIGNMENT CAPABILITY

Torque Range (In.-Lb)	Max. Angular Offset		Max. Parallel Offset	
	Degrees		Inches	
Up to 4,600	1		.015	

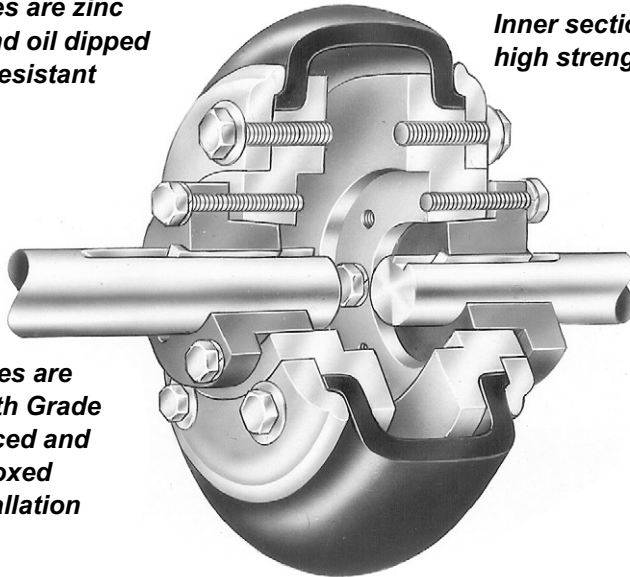
Hi-Flex[®] Flexible Couplings

shaft misalignments...absorbing shocks and vibrations

Coupling halves are zinc phosphated and oil dipped for corrosion resistant protection

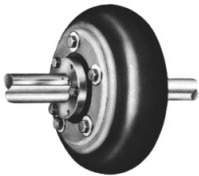
Outer section made from solid steel plate

Inner section made from high strength ductile iron



Coupling halves are assembled with Grade 8 bolts, balanced and individually boxed ready for installation

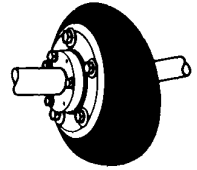
PRECISION BALANCED FOR TRUE RUNNING



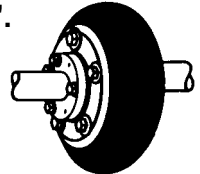
All flanges are precision balanced before assembly with cover to assure trouble free service.

The split flexible element is made of natural rubber or Neoprene. Natural rubber has an ambient temperature range from -65° to $+180^{\circ}$ F. Neoprene has excellent resistance to oil, ozone and weather...good resistance to heat, flame and certain chemicals.... ambient temperature range from -40° F to $+210^{\circ}$ F.

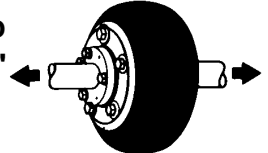
Accommodates angular shaft misalignments up to 4° .



Accommodates parallel shaft misalignments up to 1/8".

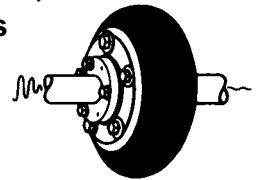


Compensates for end float up to 5/16"



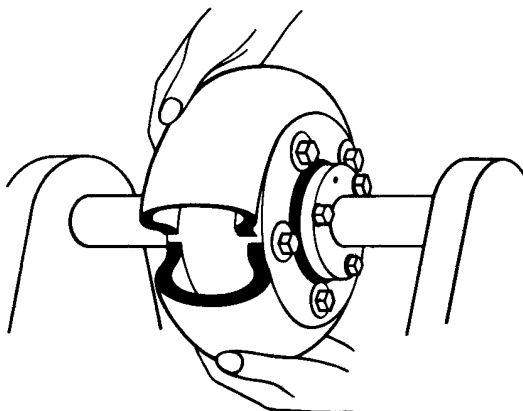
(Except 110 SK which will accommodate up to 1/4")

Dampens torsional vibrations, absorbs shocks



Internal combustion engines develop torsional vibration which increase at certain speeds. Hi-Flex Couplings dampen vibrations.

Easy Installation



Simple standard-type alignment

Check by placing a straightedge across the outside diameter of the flange.

Easy installation of flexible element

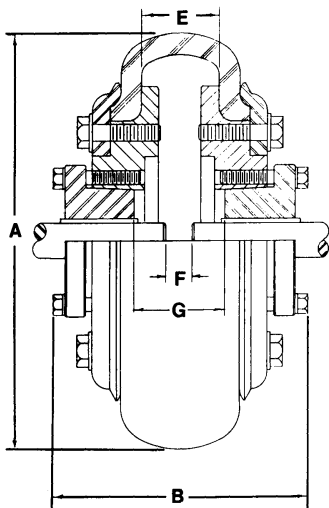
Simply place split flexible element between flanges and then clamp ring. Tighten bolts to proper torque.

Fast replacement of flexible element

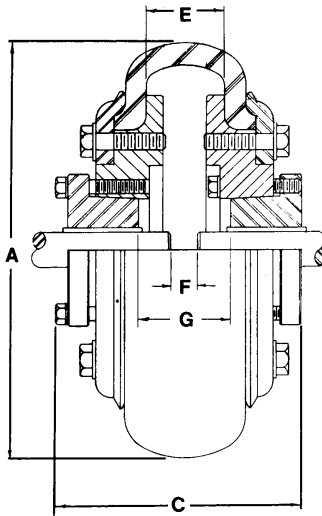
To replace element, loosen flange assembly bolts partially, without removing covers. However, bolts may be removed completely, thus disassembling the cover for easier removal and installation of element.

maurey

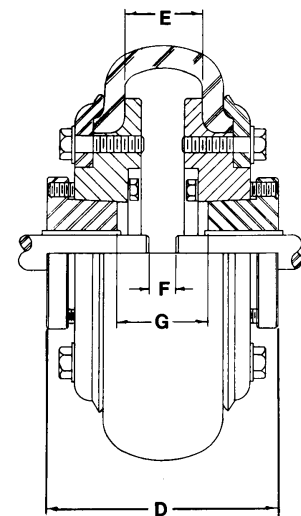
**Hi-Flex[®] Couplings
using ful-grip bushings**



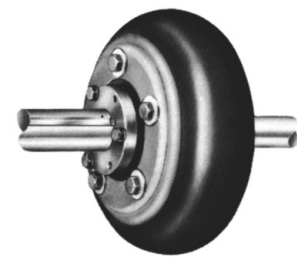
**OUTSIDE-OUTSIDE MOUNT
(50JA-140E)**



**OUTSIDE-INSIDE MOUNT
(70SH-140E)**



**INSIDE-INSIDE MOUNT
(70SH-140E)**



FLANGE ASSEMBLY 2 REQ. PART NUMBER	LIST PRICE EACH HALF	FLANGE ASSEMBLY WEIGHT EACH (Lbs)	FLEXIBLE ELEMENT 1 REQ PART NUMBER					STOCK BORES QD BUSHED		COMPLETE COUPLING WEIGHT (Lbs)	
			BUNA	LIST PRICE	NEOPRENE	LIST PRICE	Element Weight	MIN	MAX	Less Bushing	With Bushing
50JA	\$ 34.80	2.1	FE5	\$ 38.20	FE5N	\$ 48.85	0.6	1/2	1-3/16	4.7	6.3
60SH	\$ 49.40	3.5	FE6	\$ 44.60	FE6N	\$ 55.20	0.9	1/2	1-5/8	7.9	9.9
70SH	\$ 63.20	4.7	FE7	\$ 61.55	FE7N	\$ 78.55	1.3	1/2	1-5/8	10.7	12.7
80SDS	\$ 86.90	6.9	FE8	\$ 82.80	FE8N	\$ 104.00	1.7	1/2	1-15/16	15.5	17.9
90SK	\$ 112.70	10.0	FE9	\$ 88.10	FE9N	\$ 112.50	2.0	1/2	2-1/2	22.0	26.0
100SF	\$ 146.50	13.5	FE10	\$ 95.50	FE10N	\$ 121.00	2.0	1/2	2-3/4	29.0	36.0
110SF	\$ 158.60	17.4	FE11	\$ 110.40	FE11N	\$ 138.00	3.0	1/2	2-3/4	37.8	44.8
120E	\$ 182.00	25.1	FE12	\$ 123.10	FE12N	\$ 155.00	3.8	7/8	3-7/16	54.1	72.1
140E	\$ 354.00	51.1	FE14	\$ 199.50	FE14N	\$ 250.50	4.5	7/8	3-7/16	106.7	124.7

PART NUMBER FLANGE	ELEMENT PART NUMBER		DIMENSIONS (INCHES)						
	BUNA	NEOPRENE	A	B	C	D	E+1/16	F	G
50JA	FE5	FE5N	5-1/4	3-1/4	3-1/4	3-1/4	7/8	*	23/32
60SH	FE6	FE6N	6-1/2	3-15/16	3-15/16	3-15/16	1-1/8	*	7/8
70SH	FE7	FE7N	7-3/8	4-3/16	3-31/32	3-3/4	1-3/8	*	1-1/8
80SDS	FE8	FE8N	8-5/16	4-5/8	4-13/32	4-3/16	1-1/2	*	1-7/16
90SK	FE9	FE9N	9-1/4	5-11/16	5-13/32	5-1/8	1-5/8	*	1-3/8
100SF	FE10	FE10N	10	6-1/4	5-15/16	5-5/8	1-3/4	*	1-3/4
110SF	FE11	FE11N	11	6-3/16	5-7/8	5-9/16	1-9/16	*	1-11/16
120E	FE12	FE12N	12-3/8	7-3/4	7-5/16	6-7/8	1-3/4	*	1-7/8
140E	FE14	FE14N	14-1/8	10-1/4	9-13/16	9-3/8	2-1/8	*	2-1/4

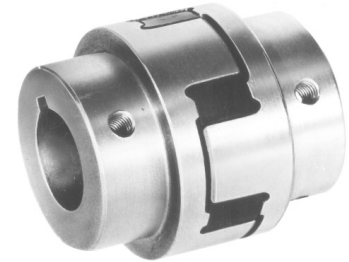
* Shaft ends although normally "G" distance apart can project beyond the bushings and be close together. If this occurs allow space between shaft ends for end float and mis-alignment.

maurey

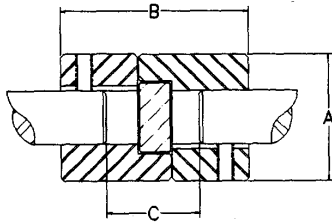
**Hi-Q® Couplings
Finished Bore**



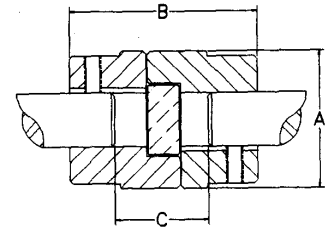
**“SPIDER”
COMPRESSION UNIT**
Buna or Polyurethane



Style 1 – Sintered steel (FC050-FC095)



Style 2 – Machined cast iron (FC099-FC225)



End Piece (2 REQ) Part Number	List Price Each	End Piece Weight Lbs	Buna Spider Part Number	List Price	Buna Spider Weight Lbs	Spider Poly-Urethane Part Number	Spider Poly-Urethane List Price	Spider Poly-Urethane Weight Lbs	Complete Coupling Weight Buna Lbs	Dimensions (Inches)			
										A	B	C	
												Min	Max
FC050	\$ 2.75	.12	B050	\$ 1.70	.013				.253	1-3/32	1-5/8	7/16	5/8
FC070	\$ 3.95	.24	B070	\$ 2.40	.077				.497	1-3/8	2	7/16	3/4
FC075	\$ 4.80	.40	B075	\$ 3.90	.029				.829	1-3/4	2-1/8	7/16	7/8
FC090	\$ 7.10	.69	B090	\$ 5.30	.037	U090	\$ 8.40	.031	1.40	2-1/8	2-5/16	7/16	1-1/16
FC095	\$ 11.00	.80	B090	\$ 5.30	.037	U090	\$ 8.40	.031	1.64	2-1/8	2-3/4	7/16	1-1/16
FC099	\$ 13.90	.80	B099	\$ 11.20	.074	U100	\$ 22.20	.054	1.67	2-9/16	2-13/16	5/8	1-5/16
FC100	\$ 20.50	.90	B099	\$ 11.20	.074	U100	\$ 22.20	.054	1.87	2-9/16	3-1/2	5/8	1-5/8
FC110	\$ 28.20	3.30	B110	\$ 13.00	.136	U110	\$ 42.40	.099	6.74	3-5/16	4-1/4	3/4	1-3/4
FC150	\$ 36.00	3.45	B150	\$ 22.40	.205	U150	\$ 51.10	.150	7.10	3-3/4	4-1/2	7/8	2
FC190	\$ 67.10	4.50	B190	\$ 32.20	.265				9.27	4-1/2	5-1/4	15/16	2-9/16
FC225	\$ 78.20	7.70	B225	\$ 43.50	.390	U225	\$ 69.40	.286	15.79	5	6	15/16	2-3/4

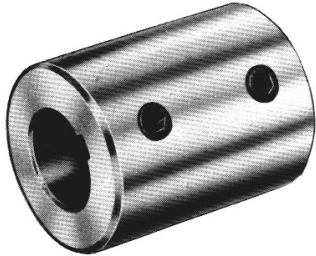
FIXED BORE SINGLE END HI-Q FLEXIBLE COUPLINGS (Purchase for Stock)																												
Part No	Material	Style	Max Bore	STOCK BORES (INCHES) MARKED "X"																								
				1/4	5/16	3/8	7/16	1/2	9/16	5/8	3/4	7/8	15/16	1	1-1/8	1-3/16	1-1/4	1-3/8	1-7/16	1-1/2	1-5/8	1-3/4	1-7/8	1-15/16	2	2-1/8	2-1/4	2-3/8
FC050	Sint.	1	5/8	X*	X*	X*	X*	X*	X*	X*																		
FC070	Sint.	1	3/4			X*	X*	X*	X*	X	X																	
FC075	Sint.	1	7/8			X*	X*	X*	X*	X	X	X																
FC090	Sint.	1	7/8					X*		X	X	X		X														
FC095	Sint.	1	1-1/8					X*	X*	X	X	X	X	X	X													
FC099	Grey Iron	2	1-3/16					X*		X	X	X	X	X	X	X												
FC100	Grey Iron	2	1-3/8					X*	X*	X	X	X	X	X	X	X	X											
FC110	Grey Iron	2	1-3/4					X*		X	X	X	X	X	X	X	X	X	X	X	X	X						
FC150	Grey Iron	2	1-7/8							X	X		X	X	X	X	X	X	X	X	X	X	X					
FC190	Grey Iron	2	2-1/8							X	X		X	X		X	X	X	X	X	X	X	X	X	X			
FC225	Grey Iron	2	2-3/8							X	X		X	X		X	X	X	X	X	X	X	X	X	X	X	X	X

*Denotes No Keyway

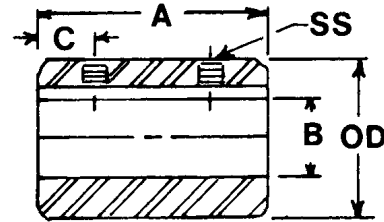


Hi-Q[®] Sleeve Couplings finished bore and bushed type

Finished Bore Sleeve Couplings



Maurey finished bore couplings are machined from bar steel, with standard keyseats and hollow head set screws.

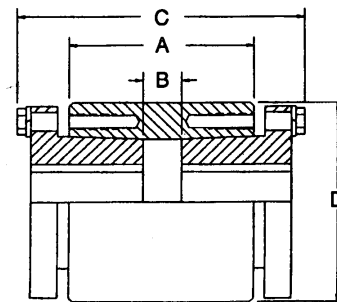


Part No.	List Price	O.D.	A	B	C	Set Screw	Weight Lbs	Keyway
SC04	\$ 4.75	1/2	3/4	1/4	3/16	8-32 x 1/8"	.06	None
SC05	\$ 5.35	5/8	1	5/16	1/4	8-32 x 1/8"	.06	None
SC06	\$ 6.20	3/4	1	3/8	1/4	10-24 x 1/8"	.1	None
SC08	\$ 9.75	1	1-1/2	1/2	3/8	1/4-20 x 1/4"	.2	1/8 x 1/16
SC10	\$ 11.60	1-1/4	2	5/8	1/2	5/16-18 x 5/16"	.5	3/16 x 3/32
SC12	\$ 14.00	1-1/2	2	3/4	1/2	5/16-18 x 3/8"	.8	3/16 x 3/32
SC14	\$ 16.40	1-3/4	2	7/8	1/2	5/16-18 x 3/8"	1.0	3/16 x 3/32
SC16	\$ 23.80	2	3	1	3/4	3/8-16 x 1/2"	1.9	1/4 x 1/8
SC18	\$ 25.75	2-1/8	3	1-1/8	3/4	3/8-16 x 1/2"	2.1	1/4 x 1/8
SC20	\$ 26.00	2-1/4	4	1-1/4	1	3/8-16 x 1/2"	3.1	1/4 x 1/8
SC22	\$ 37.00	2-1/2	4-1/2	1-3/8	1	3/8-16 x 1/2"	4.3	5/16 x 5/32

Rigid Bushed Sleeve Couplings



Bushed sleeve couplings provide a simple and economical way to join two shafts of different diameters. Made from steel, these couplings use the gripping strength of tapered bushings to eliminate the need for shrink fits.



Part Number	List Price	Bushing Size	Bore Range	Maximum Torque*	A	B	C	D	Weight Less Bushing
SCHQ	\$ 74.00	HQ	3/8" - 1-1/2"	1,700 in.lbs	2	5/16	3-9/32	2-1/2	1.63
SCSD	\$ 98.00	SD	1/2" - 2"	7,000 in.lbs	3	5/8	4-3/4	3-1/4	3.69
SCSK	\$ 125.00	SK	1/2" - 2-5/8"	7,000 in.lbs	4	1-11/16	6	4-1/4	9.00

* Maximum torque is in inch-pounds. For heavy or shock loads use one half of this torque rating.

* Torque ratings expressed here are based on bushing and coupling strength. Smaller bores and shafts may not be able to withstand these torques. Always check the shaft and keyway strengths before using.

Coupling Applications and Service Factors

TABLE 1 • SERVICE FACTORS

APPLICATION (See Footnote)	Service Factor *	APPLICATION (See Footnote)	Service Factor *	APPLICATION (See Footnote)	Service Factor *
AGITATORS Paddle, Propeller, Screw	1.0	KILN	2.0	PUMPS RECIPROCATING	
BLOWERS Centrifugal, Vane Lobe	1.0 1.5	LAUNDRY MACHINES Tumbler, Washer	2.0	1 Cylinder - Single Acting	2.5
BREWING & DISTILLING Bottling Machinery, Brew Kettle, Mash Tub Scale Hopper	1.0 1.5	LINE SHAFTS	1.5	1 Cylinder - Double Acting	2.0
CAR DUMPERS	2.5	LUMBER INDUSTRY Band Circular Resaw, Planer Rolls (Non-Reversing), Slab Conveyor, Sorting Table	1.5	2 Cylinder - Single Acting	2.0
CAR PULLERS	1.5	MACHINE TOOLS Auxillary and Traverse	1.0	2 Cylinder - Double Acting	1.5
CLAY WORKING MACHINES	1.5	Main Drive		3 Cylinders or More	1.5
COMPRESSORS Centrifugal Lobe Rotary Reciprocating**	1.0 2.0 3.0	Punch Press, Planer	2.0	RUBBER INDUSTRY Tuber and Strainer	1.5
CONVEYORS Assembly, Belt, Screw Reciprocating	1.0 2.5	METALFORMING MACHINES	2.0	Calender, Warming Mill	2.0
CRANES AND HOIST Main, Reversing, Skip Trolley, Bridge, Slope	2.0	MILLS (ROTARY TYPE) Dryer, Cooler Tumbling Barrel Ball Pebble Rod, Tube	1.5 2.5	Banbury, Mixing Mill Sheeter, Tire Building Machine, Washer	2.5
CRUSHERS Ore and Stone	3.0	MIXERS Concrete (Continuous) Muller	1.5	SCREENS Air Washing and Water	1.0
DREDGES Conveyors, Pumps, Stackers Cutter Head, Jig Pump Screen Drives	1.5 2.0	OIL INDUSTRY Chiller Paraffin Filter Press Oil Well Pumping	1.0 1.5 2.0	Coal and Sand (Rotary)	1.5
ELEVATORS Bucket, Freight, Passenger	2.0	PAPER MILLS Agitator, Bleacher Felt Stretcher Beater, Pulper Couch Cylinder, Dryer, Rotary Pump, Winder Calender, Jordan Press, Pulp Grinder Reciprocating Pump Barking Drum Chipper	1.0 1.5 2.0 3.0	Vibrating	2.5
FANS Centrifugal, Light Propeller (Indoor) Large (Mine Etc.) Cooling Tower	1.0 1.5 2.0	PARAFFIN FILTER PRESS	1.5	SHOVEL	2.0
FOOD INDUSTRY Cereal Cooker Beet Slicer, Dough Mixer Meat Grinder	1.0 1.5	PRINTING PRESS	1.5	SHREDDER	1.5
GENERATORS Even Load Hoist or Railway Service Welder Load	1.0 1.5 2.0	PROPELLER (MARINE)	1.5	STEEL INDUSTRY * Cold Mills Coiler (Up or Down)	1.5
HAMMERMILLS	2.0	PULLERS	2.5	Strip, Temper	2.0
		PULVERIZERS Hammermill - Light Duty Roller Hammermill - Heavy Duty Hog	1.5 2.0	Hot Mills Coiler Edger Drive Feed Roll, Roughing Mill Delivery, Sheet, Strip Rod Mill Soaking Pit Cover Drive	1.5 3.0 2.5 3.0
		PUMPS Centrifugal Descaling Gear Type Oil Well	1.0 1.5 2.0	STEERING GEAR	1.0
				STOKER	1.0
				TEXTILE MILLS Batcher, Drying. Mangel, Napper, Soaper Calender, Card, Dry Can, Spinner Tenter Frame	1.0 1.5
				WINDLASS	2.0
				WOODWORKING MACHINERY	1.0

• The service factors listed are intended only as a general guide and for smooth power sources such as electric motors and steam turbines. Add 0.5 to factor for somewhat rougher power sources such as internal combustion engines of four or more cylinders, steam engines and water turbines. Where substantial shock occurs or starting and stopping is frequent as on some "inching" drives and on some reversing drives or where power source is an internal combustion engine with less than four cylinders - consult factory. Where torsional vibrations occur as in, for example, internal combustion engine or reciprocating compressor or pump applications, check the coupling size for the possible development of damaging large amplitude vibrations

* These factors are based on motor HP at base speed. Where these factors do not produce a 10 factor on the peak torque of the motor, they should be increased accordingly.

** Add 0.5 factor if without flywheel

Coupling Selection

Step 1 - Determine the required HP per 100 RPM

$$\text{HP/100 rpm @ 1.0 service factor} = \frac{\text{Motor or other HP} \times 100 \text{ rpm}}{\text{Motor or other Coupling RPM}}$$

Example: 25 HP electric motor 1750 RPM, Service factor 1.00

Step 2 - Refer to Table 2 - Select a figure equal to or greater than 1.43 obtained in step 1. From Table 2, the FC110P Hi-Q coupling or 60SH Hi-Flex coupling will meet the HP requirements. However the max bore in both cases is 1-5/8". A 25 HP electric motor has a 284T frame with a shaft diameter of 1-7/8". Therefore choose either: choose either:

FC150P Hi-Q Coupling or 80SDS Hi-Flex Coupling

If angular, parallel misalignment and end float are not critical and the Hi-Q coupling meets the other requirements of the drive, the Hi-Q coupling is recommended from the standpoint of economics.

Referring back to Table 2 and using 1.43HP/100 RPM we can select the coupling required at various service factors

Service Factor	Coupling
1.5	FC150P Hi-Q or 80SDS Hi-Flex
2.0	FC150P Hi-Q or 80SDS Hi-Flex
2.5	FC190P Hi-Q or 80SDS Hi-Flex
3.0	FC190P Hi-Q or 80SDS Hi-Flex

Step 3 - Coupling selection other than electric motor.

Example: 55 HP Gasoline engine 1500 RPM, Service Factor 1.5

$$\text{HP/100 rpm} = \frac{55\text{HP} \times 100 \text{ rpm}}{1500 \text{ RPM}} = 3.67 \text{ HP/100 RPM}$$

Refer to Table 2, under the column 1.5 service factor choose the following:

FC225P Hi-Q coupling or 80SDS Hi-Flex Coupling

However if the engine shaft or driven shaft are not within the bore range of the couplings chosen use the next larger QD bushing and coupling.

TABLE 2

HI-Q COUPLING RATING AND SELECTION GUIDE

Coupling Size	Stock Bores		Max RPM	HP PER 100 RPM					Torque* @ 1.0 S.F. (LB.-IN.)
	Fixed Bores			SERVICE FACTOR					
	Min.	Max.		1.0	1.5	2.0	2.5	3.0	
FC050B	1/4	1/2		.04	.03	.02	.02	.01	25.2
FC070B	3/8	3/4		.06	.04	.03	.02	.02	37.8
FC075B	3/8	7/8		.12	.08	.06	.05	.04	75.6
FC090B	1/2	7/8		.20	.13	.10	.08	.06	126.0
FC095B	1/2	1-1/8	4500	.28	.18	.14	.11	.09	176.4
FC100B	1/2	1-3/8	4000	.60	.40	.30	.24	.20	378.0
FC100P	1/2	1-3/8	4000	1.00	.66	.50	.40	.33	630.0
FC110B	5/8	1-5/8	3600	1.10	.73	.55	.44	.36	693.0
FC110P	5/8	1-5/8	3600	2.40	1.60	1.20	.96	.80	1512.0
FC150B	3/4	1-7/8	3100	1.80	1.20	.90	.72	.60	1134.0
FC150P	3/4	1-7/8	3100	3.50	2.33	1.75	1.40	1.16	2205.0
FC190B	3/4	2-1/8	2800	2.40	1.60	1.20	.96	.80	1512.0
FC190P	3/4	2-1/8	2800	4.70	3.13	2.35	1.88	1.56	2961.0
FC225B	3/4	2-3/8	2600	3.50	2.30	1.70	1.40	1.16	2205.0
FC225P	3/4	2-3/8	2600	6.00	4.00	3.00	2.40	2.00	3780.0

B = BUNA

P = POLYURETHANE

HI-FLEX COUPLING RATING AND SELECTION GUIDE

Coupling Size	QD Stock Bores		Max RPM	HP PER 100 RPM					Torque* @ 1.0 S.F. (LB.-IN.)	Average Static Torsional Stiffness Coefficient (K)		Approx. WR ^c (LB.-FT ^c)
	Min.	Max.		SERVICE FACTOR						LB.-IN/DEG	LB.-IN/RAD.	
				1.0	1.5	2.0	2.5	3.0				
50JA	1/2	1-3/16	4500	1.43	.95	.72	.57	.48	900	224	12850	.08
60SH	1/2	1-5/8	4000	2.86	1.91	1.43	1.14	.95	1800	414	23700	.24
70SH	1/2	1-5/8	3600	3.49	2.33	1.75	1.40	1.16	2200	544	31200	.45
80SDS	1/2	1-15/16	3100	5.71	3.81	2.86	2.28	1.90	3600	876	50200	.88
90SK	1/2	2-1/2	2800	6.90	4.60	3.45	2.76	2.30	4350	1088	62400	1.60
100SF	1/2	2-3/4	2600	8.33	5.55	4.17	3.33	2.78	5250	1530	87700	2.90
110SF	1/2	2-3/4	2300	12.30	8.20	6.15	4.92	4.10	7750	2420	138700	4.30
120E	7/8	3-7/16	2100	19.90	13.27	9.95	7.96	6.63	12540	4014	217000	6.70
140E	7/8	3-7/16	1840	43.78	29.19	21.89	17.51	14.59	27590	8296	476000	19.50

* Allowable torque for non-varying running loads. Starting requirements or other service conditions may require the use of a service factor.

Select couplings by using the computed
HP/100 RPM taken from Table 2, Page F-8

Coupling Selection

3500 RPM MOTORS											
Motor HP	Computed HP/100 RPM For 3500 RPM Motor	Smallest Coupling to Accommodate Motor Shaft for 1956 and T Frame									
		SERVICE FACTOR									
		1.0		1.5		2.0		2.5		3.0	
		Hi-Q	HI-FLEX	Hi-Q	HI-FLEX	Hi-Q	HI-FLEX	Hi-Q	HI-FLEX	Hi-Q	HI-FLEX
1/8	.004	FC050B		FC050B		FC050B		FC050B		FC050B	
1/4	.007	FC050B		FC050B		FC050B		FC050B		FC050B	
1/3	.010	FC070B		FC070B		FC070B		FC070B		FC070B	
1/2	.015	FC070B		FC070B		FC070B		FC070B		FC070B	
3/4	.021	FC075B		FC075B		FC075B		FC075B		FC075B	
1	.029	FC075B		FC075B		FC075B		FC075B		FC075B	
1-1/2	.043	FC075B	*50JA	FC075B	*50JA	FC075B	*50JA	FC075B	*50JA	FC095B	*50JA
2	.057	FC075B	*50JA	FC075B	*50JA	FC090B	*50JA	FC090B	*50JA	FC095B	*50JA
3	.086	FC090B	*50JA	FC090B	*50JA	FC090B	*50JA	FC095B	*50JA	FC095B	*50JA
5	.143	FC095B	*50JA	FC095B	*50JA	FC100B	*50JA	FC100B	*50JA	FC100B	*50JA
7-1/2	.214	FC095B	*50JA	FC100B	*50JA	FC100B	*50JA	FC100B	*50JA	FC100P	*50JA
10	.290	FC100B	*60SH	FC100B	*60SH	FC100B	*60SH	FC100P	*60SH	FC100P	*60SH
15	.429	FC100B	*60SH	FC100P	*60SH	FC100P	*60SH	FC110B	*60SH	FC110P	*60SH
20	.571	FC110B	*60SH	FC110B	*60SH	FC110P	*60SH	FC110P	*60SH	FC110P	*60SH
25	.714	FC110B	*60SH	FC110B	*60SH	FC110P	*60SH	FC110P	*60SH	FC110P	*60SH
30	.857	FC110B	*60SH	FC110P	*60SH	FC110P	*60SH	FC110P	*60SH		*60SH
40	1.14	FC110P	*60SH	FC110P	*60SH	FC110P	*60SH		70SH		70SH

1750 RPM MOTORS											
Motor HP	Computed HP/100 RPM For 3500 RPM Motor	Smallest Coupling to Accommodate Motor Shaft for 1956 and T Frame									
		SERVICE FACTOR									
		1.0		1.5		2.0		2.5		3.0	
		Hi-Q	HI-FLEX	Hi-Q	HI-FLEX	Hi-Q	HI-FLEX	Hi-Q	HI-FLEX	Hi-Q	HI-FLEX
1/8	.007	FC050B		FC050B		FC050B		FC050B		FC050B	
1/4	.014	FC050B		FC050B		FC050B		FC050B		FC070B	
1/3	.019	FC070B		FC070B		FC070B		FC070B		FC070B	
1/2	.029	FC070B		FC070B		FC075B		FC075B		FC075B	
3/4	.043	FC075B		FC075B		FC075B		FC075B		FC090B	
1	.057	FC075B	*50JA	FC075B	*50JA	FC075B	*50JA	FC075B	*50JA	FC090B	*50JA
1-1/2	.086	FC075B	*50JA	FC090B	*50JA	FC090B	*50JA	FC095B	*50JA	FC095B	*50JA
2	.114	FC075B	*50JA	FC090B	*50JA	FC095B	*50JA	FC100B	*50JA	FC100B	*50JA
3	.171	FC095B	*50JA	FC095B	*50JA	FC100B	*50JA	FC100B	*50JA	FC100B	*50JA
5	.286	FC100B	*50JA	FC100B	*50JA	FC100B	*50JA	FC100P	*50JA	FC100P	*50JA
7-1/2	.429	FC100B	*60SH	FC100P	*60SH	FC100P	*60SH	FC110B	*60SH	FC110P	*60SH
10	.571	FC100P	*60SH	FC100P	*60SH	FC110P	*60SH	FC110P	*60SH	FC110P	*60SH
15	.857	FC110B	*60SH	FC110P	*60SH	FC110P	*60SH	FC110P	*60SH	FC150P	*60SH
20	1.14	FC110P	70SH	FC110P	70SH	FC110P	70SH	FC150P	70SH	FC150P	80SDS
25	1.43	FC150B	80SDS	FC150P	80SDS	FC150P	80SDS	FC190P	80SDS	FC190P	80SDS
30	1.71	FC150B	80SDS	FC150P	80SDS	FC150P	80SDS	FC190P	80SDS	FC225P	90SK
40	2.28	FC190B	90SK	FC190P	90SK	FC190P	90SK	FC225P	90SK		90SK
50	2.86	FC190P	90SK	FC190P	90SK	FC225P	90SK		100SF		110SF
60	3.43	FC190P	90SK	FC225P	90SK		90SK		110SF		110SF
75	4.28	FC225B	90SK		90SK		110SF		110SF		120E
100	5.71		90SK		110SF		110SF		120E		120E
125	7.14		100SF		110SF		120E		120E		140E
150	8.57		110SF		120E		120E		140E		140E
200	11.43		110SF		120E		140E		140E		140E

"B" BUNA SPIDER "P" POLYURETHANE SPIDER

* Where 50JA and 60SH Hi-Flex couplings are shown and reverse mounting is needed, use 70SH. For models 70SH to 140 E reverse mount is standard

Select couplings by using the computed
HP/100 RPM taken from Table 2, Page F-8

Coupling Selection

1160 RPM MOTORS											
Motor HP	Computed HP/100 RPM For 3500 RPM Motor	Smallest Coupling to Accommodate Motor Shaft for 1956 and T Frame									
		SERVICE FACTOR									
		1.0		1.5		2.0		2.5		3.0	
		Hi-Q	HI-FLEX	Hi-Q	HI-FLEX	Hi-Q	HI-FLEX	Hi-Q	HI-FLEX	Hi-Q	HI-FLEX
1/8	.011	FC070B		FC070B		FC070B		FC070B		FC070B	
1/4	.022	FC070B		FC070B		FC070B		FC075B		FC075B	
1/3	.029	FC070B		FC070B		FC075B		FC075B		FC075B	
1/2	.043	FC075B		FC075B		FC075B		FC075B		FC090B	
3/4	.065	FC075B	*50JA	FC075B	*50JA	FC090B	*50JA	FC090B	*50JA	FC095B	*50JA
1	.086	FC075B	*50JA	FC090B	*50JA	FC090B	*50JA	FC095B	*50JA	FC095B	*50JA
1-1/2	.129	FC095B	*50JA	FC095B	*50JA	FC095B	*50JA	FC100B	*50JA	FC100B	*50JA
2	.172	FC095B	*50JA	FC095B	*50JA	FC100B	*50JA	FC100B	*50JA	FC100B	*50JA
3	.259	FC100B	*60SH	FC100B	*60SH	FC100B	*60SH	FC100P	*60SH	FC100P	*60SH
5	.431	FC100B	*60SH	FC100P	*60SH	FC100P	*60SH	FC110B	*60SH	FC110P	*60SH
7-1/2	.647	FC110B	*60SH	FC110B	*60SH	FC110P	*60SH	FC110P	*60SH	FC110P	*60SH
10	.862	FC110B	*60SH	FC110P	*60SH	FC110P	*60SH	FC110P	*60SH	FC150P	*60SH
15	1.29	FC150B	80SDS	FC150P	80SDS	FC150P	80SDS	FC150P	80SDS	FC190P	80SDS
20	1.72	FC150B	80SDS	FC150P	80SDS	FC150P	80SDS	FC190P	80SDS	FC225P	80SDS
25	2.16	FC190B	90SK	FC190P	90SK	FC190P	90SK	FC225P	90SK		90SK
30	2.59	FC190P	90SK	FC190P	90SK	FC225P	90SK		90SK		100SF
40	3.45	FC225P	90SK	FC225P	90SK		90SK		110SF		110SF
50	4.31		90SK		90SK		110SF		110SF		120E
60	5.17		120E		120E		120E		120E		120E
75	6.47		120E		120E		120E		120E		120E
100	8.62		120E		120E		120E		140E		140E
125	10.78		120E		120E		140E		140E		140E

860 RPM MOTORS											
Motor HP	Computed HP/100 RPM For 3500 RPM Motor	Smallest Coupling to Accommodate Motor Shaft for 1956 and T Frame									
		SERVICE FACTOR									
		1.0		1.5		2.0		2.5		3.0	
		Hi-Q	HI-FLEX	Hi-Q	HI-FLEX	Hi-Q	HI-FLEX	Hi-Q	HI-FLEX	Hi-Q	HI-FLEX
1/8	.015										
1/4	.029										
1/3	.039										
1/2	.058	FC075B	*50JA	FC075B	*50JA	FC075B	*50JA	FC090B	*50JA	FC090B	*50JA
3/4	.087	FC090B	*50JA	FC090B	*50JA	FC090B	*50JA	FC095B	*50JA	FC095B	*50JA
1	.116	FC095B	*50JA	FC095B	*50JA	FC095B	*50JA	FC100B	*50JA	FC100B	*50JA
1-1/2	.174	FC095B	*50JA	FC095B	*50JA	FC100B	*50JA	FC100B	*50JA	FC100B	*50JA
2	.232	FC100B	*60SH	FC100B	*60SH	FC100B	*60SH	FC100B	*60SH	FC100P	*60SH
3	.349	FC100B	*60SH	FC100B	*60SH	FC100P	*60SH	FC100P	*60SH	FC110B	*60SH
5	.581	FC110B	*60SH	FC110B	*60SH	FC110P	*60SH	FC110P	*60SH	FC110P	*60SH
7-1/2	.872	FC110B	*60SH	FC110P	*60SH	FC110P	*60SH	FC110P	*60SH	FC150P	*60SH
10	1.16	FC150B	80SDS	FC150B	80SDS	FC150P	80SDS	FC150P	80SDS	FC150P	80SDS
15	1.74	FC150B	80SDS	FC150P	80SDS	FC150P	80SDS	FC190P	80SDS	FC225P	80SDS
20	2.33	FC190B	90SK	FC190P	90SK	FC190P	90SK	FC190P	90SK		100SF
25	2.91	FC190P	90SK	FC190P	90SK	FC225P	90SK		100SF		110SF
30	3.49	FC225B	90SK	FC225P	90SK		100SF		110SF		110SF
40	4.65	FC225P	90SK		100SF		110SF		110SF		120E
50	5.81		120E		120E		120E		120E		120E
60	6.98		120E		120E		120E		120E		140E
75	8.72		120E		120E		120E		140E		140E
100	11.63		120E		120E		140E		140E		140E

"B" BUNA SPIDER "P" POLYURETHANE SPIDER

* Where 50JA and 60SH Hi-Flex couplings are shown and reverse mounting is needed, use 70SH. For models 70SH to 140 E reverse mount is standard



**HI-FLEX COUPLING
INSTALLATION INSTRUCTIONS**

FLANGE AND BUSHING INSTALLATION

Make sure the bore and tapered cone surface of the bushing and flanges are free of all foreign substances such as paint or dirt.

1. Place *QD bushing on the shaft over the key with flange end first. The end of the bushing should be flush with the end of the shaft for best results.

NOTE: If shaft ends project beyond the bushing, be sure to allow for end float and misalignment.

2. Either loosen flange assembly screws as much as possible or disassemble. Slip flange over the *QD bushing and assemble in the following manner:

A. OUTSIDE MOUNT (50JA thru 140E)

Align the clearance holes in the *QD bushing with the tapped holes of the flange assembly. Assemble pull-up bolts and lock washers as shown in Fig. 1. Tighten pull-up bolts progressively and evenly to the *QD bushing bolt torque specified in Table 1.

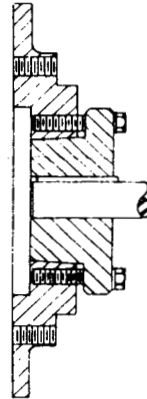


FIGURE 1
OUTSIDE MOUNT

B. INSIDE MOUNT (70SH thru 140E)

Align clearance holes in the flange assembly with the tapped holes in the *QD bushing. Assemble pull-up bolts and the lock washers as shown in Fig. 2. Tighten pull-up bolts progressively and evenly to the *QD bushing bolt torque specified in Table 1.

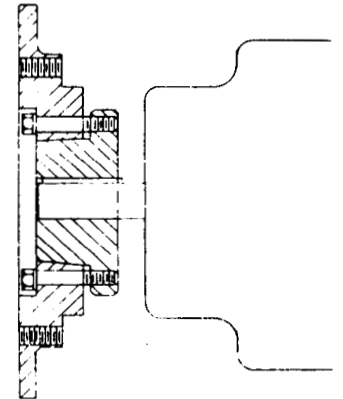


FIGURE 2
INSIDE MOUNT

CAUTION: NEVER ALLOW THE FLANGE ASSEMBLY TO BE DRAWN IN CONTACT WITH THE FLANGE OF THE *QD BUSHING. THERE SHOULD BE A GAP FROM 1/8" TO 1/4" BETWEEN THEM. IF THE GAP IS CLOSED, THE SHAFT IS SERIOUSLY UNDERSIZE.

TABLE 1

HI-FLEX COUPLING	*QD BUSHING		BUSHING BOLT SIZE	BUSHING BOLT TORQUE (in-lb)	FLANGE ASSEMBLY BOLT SIZE	FLANGE ASSEMBLY BOLT TORQUE (in-lb)
	PART NO	LENGTH				
50JA	JA	1	10-24	60	1/4-20	120
60SH	SH	1-1/4	1/4-20	108	5/16-18	300
70SH	SH	1-1/4	1/4-20	108	5/16-18	300
80SDS	SDS	1-5/16	1/4-20	108	5/16-18	300
90SK	SK	1-7/8	5/16-18	180	3/8-16	400
100SF	SF	2	3/8-16	360	3/8-16	400
110SF	SF	2	3/8-16	360	3/8-16	400
120E	E	2-5/8	1/2-13	720	1/2-13	900
140E	E	2-5/8	1/2-13	720	1/2-13	900

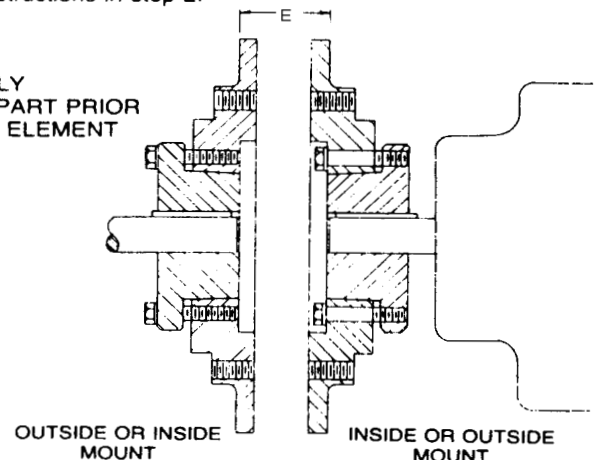
*QD BUSHING BOLTS ARE GRADE 5 FLANGE ASSEMBLY BOLTS ARE GRADE 8
50 JA and 60SH ARE SUPPLIED WITH SOCKET HEAD CAP SCREWS EQUIVALENT TO GRADE 8 BOLTS

3. The second *QD bushing is placed on the other shaft as described in step 1 and the second flange assembly is slipped over the bushing and assembled to it "E" distance (Table 2) apart following the instructions in step 2.

TABLE 2

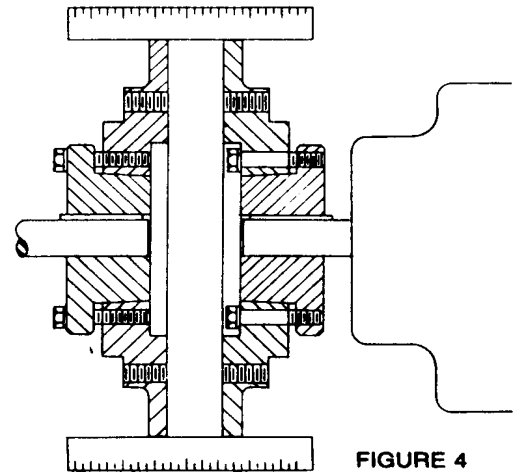
PART NO.	E ± 1/16
50JA	7/8
60SH	1-1/8
70SH	1-3/8
80SDS	1-1/2
90SK	1-5/8
100SF	1-3/4
110SF	1-9/16
120E	1-3/4
140E	2-1/8

FIGURE 3
FLANGE ASSEMBLY MOUNTED "E" DISTANCE APART PRIOR TO INSTALLING FLEXIBLE ELEMENT



4. **FOR PARALLEL SHAFTS:** Using a scale or straight edge, check the flange spacing and angular misalignment at four places 90° apart around the coupling without rotating the flanges. The flanges should be aligned so that the dimensions at all four places do not vary more than 1/32" for best results. Check parallel misalignment by laying the straight edge across the flange O.D. several places around the circumference of the coupling. Parallel misalignment not to exceed 1/32" for best results.

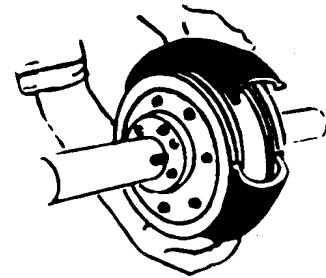
FOR PARALLEL AND NON PARALLEL SHAFTS: For the longest coupling life it is always best to align couplings as accurately as possible upon the initial installation.



INSTALLATION OF FLEXIBLE ELEMENT

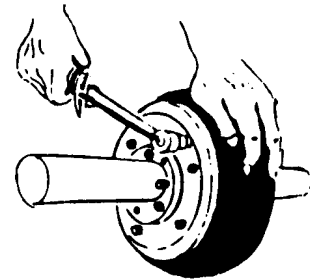
5. You may loosen the flange assembly screws as much as possible without disassembly of cover or you may remove the screws completely thus disassembling the cover. In either case wrap the flexible element around the flange assemblies as shown in Fig. 5. Make sure the beads of the element are fully worked down upon the seats of covers. To insure proper seating, rap on the tire O.D. with a small mallet until the split is closed.

Important: Split must be closed after assembly is completed.



6. Hold split of the flexible element closed as shown in Fig. 6. Tighten (finger tight) one or two screws directly opposite the split. Using both hands knead the tire pulling it toward the split. Repeat the procedure on all remaining screws. Retighten each screw, in succession, with a torque wrench to the torque specified in Table 1 under the column entitled "FLANGE ASSEMBLY BOLT TORQUE".

NOTE: The metal pieces of the coupling that clamp the rubber element will operate properly only if tightly clamped by the screws. Over tightening cannot damage the rubber element, but being too loose may damage the coupling.



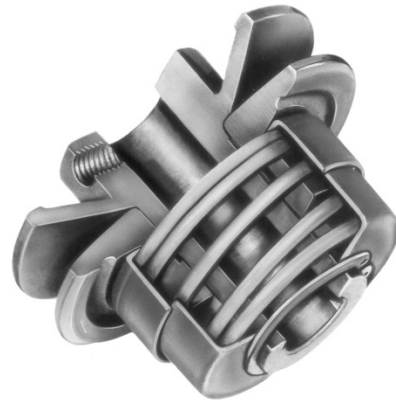
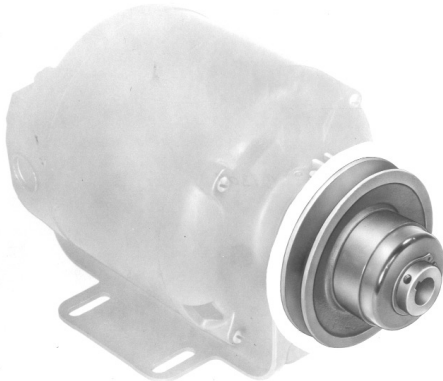
TO REPLACE TIRE

Loosen all flange assembly screws completely to disengage the covers of the flange assemblies. Grasp one end of the flexible element at the split and peel it off the flange assemblies. Remove any foreign substances, such as dirt, off both sides of the flange assemblies and install the new flexible element according to steps 5 and 6. If necessary to replace flange assembly screws, use only Grade 8 or equivalent.

IMPORTANT NOTICE: Because of the possible danger to person(s) or property from accidents which may result in the use of products, it is important that the Hi-Flex coupling be used in accordance with the engineering information specified in the catalog and in these instructions. Proper installation, maintenance and operating procedures must be observed. Proper guards and other safety devices that may be needed or specified in safety codes should be provided and used, but are neither provided by, nor the responsibility of the manufacturer.

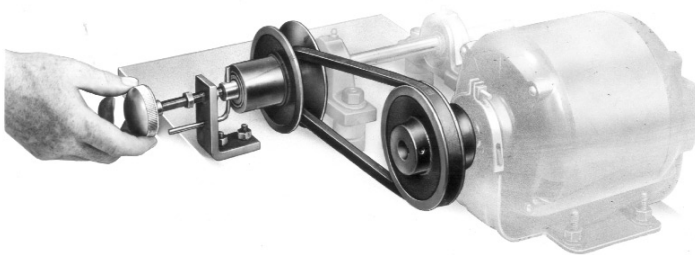


Variable Speed Drives Up To 2 H.P.



Spring-Loaded Sheaves - Automatic Type

Speed Ratios up to 2.19:1, available for drives of 1/4 to 2 H.P. Motor is equipped with Maurey spring-loaded sheave.



Spring-Loaded Sheaves - Manual Type

For fixed center drives.



Motor Bases

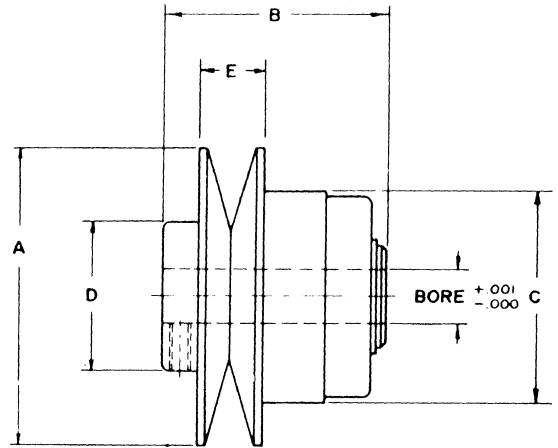


spring loaded sheaves for 4L "A" and 5L "B" belts



FEATURES:

1. Single moving flange.
Simple trouble-free construction with a minimum of working parts
2. Grooved for Permawick (cellulose fibre 85% lubricating oil content) that holds oil in suspension until such time as needed on bushing for lubrication.
3. Nylon bushing between movable flange and hub is continuously lubricated by Permawick.
4. Stainless steel key adds strength and assures non-corrosion.



ORDERING PROCEDURE

SPRING LOADED SHEAVE is driver sheave
 TO SELECT COMPANION SHEAVE, check chart of model no. selected. Refer to speed range desired. Adjacent column at right gives companion sheave number
 TO SELECT V-BELT to fit your drive move horizontally on same chart to desired center distance. Read down to obtain FHP V-belt number
 COMPANION SHEAVES DIMENSIONS - Section A.
 MOTOR BASE DIMENSIONS - Page G-3

ORDERING EXAMPLE FOR COMPLETE DRIVE

DRIVE REQUIREMENTS:
 1/3 HP Motor @ 1750 RPM
 Motor Shaft Size: 5/8"
 Driven Shaft Size: 1"
 Speed Range: 300 to 600 RPM
 Belt Center Distance: 18" ± 1/2"
 REFER TO CHART, PAGE G-5
 Select either 6325 or 6400 closest to requirement
 TO ORDER FROM CHART:
 6400 x 5/8" Spring Loaded Sheave
 AC110 x 1" Companion Sheave, Section A
 4L600 V-Belt
 6000 Standard Motor Base, Page G-3

BORES AND KEYWAYS	
1/2"	None
5/8", 3/4", 7/8"	3/16" x 3/32"
1"	1/4" x 1/8"

Model Number	List Price	HP @ RPM		Speed Ratio	Pitch Diameter		Belt Section	Drive Selection	Weight Lbs
		1750	1160		MIN	MAX			
6325	\$ 40.70	1/3	1/4	1.65:1	1.91	3.15	A or B	Page G-5	1.75
6400	\$ 56.00	1/2	1/3	2.00:1	1.95	3.90	A or B	Page G-5	2.25
6500	\$ 80.70	1 & 3/4	1/2	2.05:1	2.37	4.84	A or B	Page G-6	4.88
6600	\$ 95.45	1	3/4	2.19:1	2.67	5.84	B	Page G-6	6.00
66150	\$ 112.00	1-1/2	1	2.19:1	2.67	5.84	B	Page G-6	6.00
66200	\$ 120.00	2	1-1/2	2.19:1	2.67	5.84	B	Page G-6	6.00

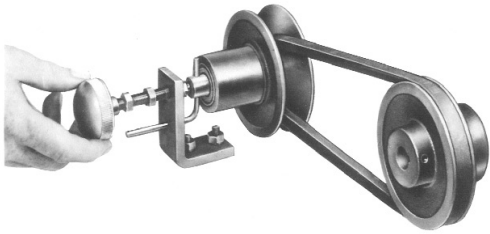
Model Number	DIMENSIONS (INCHES)					STOCK BORES (INCHES) MARKED "X"				
	A	B	C	D	E	1/2	5/8	3/4	7/8	1
6325	3-1/4	2-3/8	2-5/16	1-5/8	11/16	X	X	X		
6400	4	2-1/8	2-5/16	1-5/8	11/16	X	X	X		
6500	5	3-5/8	3-3/16	1-7/8	15/16		X	X	X	X
6600	6	3-7/8	3-3/16	1-7/8	15/16		X	X	X	X
66150	6	3-7/8	3-3/16	1-7/8	15/16		X	X	X	X
66200	6	3-7/8	3-3/16	1-7/8	15/16		X	X	X	X

USE MAUREY MOTOR BASE NO. 6000, PAGE G-3

VISIT OUR WEB SITE AT WWW.CLARKTR.COM

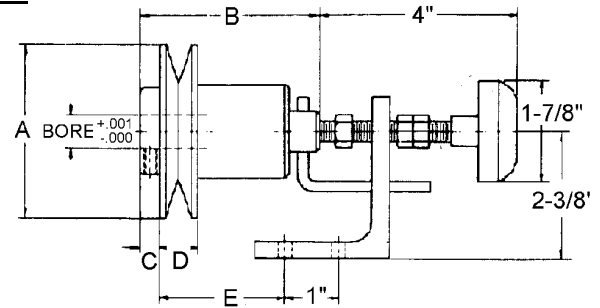
maurey

manual control sheaves and controls for fixed center drives for 4L "A" and 5L "B" belts



MANUAL CONTROL SHEAVES

are used in conjunction with spring-loaded sheaves to maintain fixed center distance and provide a higher speed ratio than possible using only a spring-loaded sheave and movable motor base.



ORDERING PROCEDURE

TO SELECT A COMPOUND DRIVE, check the chart on page G-7 and select either your desired horsepower and/or speed ratio. Adjacent column gives you specified model numbers, driven speeds at desired RPM, and NEMA motor frame numbers

TO SELECT FHP V-BELT to fit your system, check charts on page G-7 and move horizontally from desired compound drive to desired distance. Read down to obtain part number of V-Belt.

Model Number	List Price	HP @ RPM		Speed Ratio	Belt Section	Drive Selection	Weight Lbs
		1750	1160				
6325M	\$ 76.20	1/3 & 1/4	1/4	2.72:1	A or B	Page G-7	2.00
6400M	\$ 90.15	1/2	1/3	4.00:1	A or B	Page G-7	2.25
6500M	\$ 119.10	1 & 3/4	1/2	4.17:1	A or B	Page G-7	5.00
6600M	\$ 130.45	2, 1-1/2, 1	1-1/2, 1, 3/4	4.78:1	A or B	Page G-7	6.50

**MC CONTROL
MUST BE ORDERED
SEPARATELY**

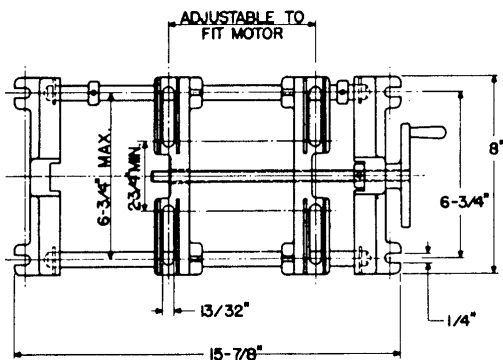
LIST PRICE: \$22.00

Model Number	DIMENSIONS (INCHES)					STOCK BORES (INCHES) MARKED "X"				
	A	B	C	D	E	1/2	5/8	3/4	7/8	1
6325M	3-1/4	3-11/32	3/8	11/16	3	X	X	X		
6400M	4	3-11/32	3/8	11/16	3	X	X	X		
6500M	5	4-5/16	1/2	15/16	4		X	X	X	X
6600M	6	4-5/16	1/2	15/16	4		X	X	X	X

For keyway dimensions please refer to chart on page G-2.

maurey

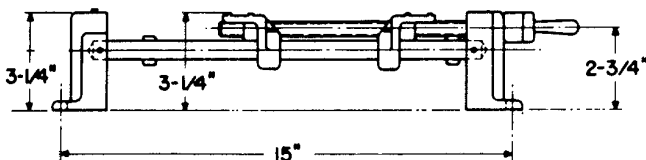
adjustable motor bases



MODEL NO. 6000

Standard adjustable motor base for motors up to and including 2 H.P. Easily moves the sheave through its speed range. Shipping weight, 12 lbs.

List Price: \$104.00
(Base Only, Less Motor & Drives)



DRIVE SELECTION FOR SPRING-LOADED SHEAVES

By: Horsepower and/or Speed Ratio

Selection Procedure:

1. Determine horsepower and/or speed ratio of your particular drive.
2. Across to specified model number and your particular motor speed.
NEMA motor frames also indicated.
3. Select proper motor base (NEMA motor frames also indicated).
4. For complete drive details, turn to page that pertains to model number specified in step 2. Page numbers located on bottom of chart.

Horsepower Selection	Speed Ratio Selection	Specified Model No. Selection at Motor RPM		Motor Base Selection	NEMA Motor Frames
		1750 RPM	1160 RPM		
1/4	1.65 : 1	6325	6325	6000	48, 56, 56H, 66
1/3	1.65 : 1	6325	6325	6000	48, 56, 56H, 66
1/2	1.65 : 1	6325	6325	6000	48, 56, 56H, 66, 203, 204
1/2	2.00 : 1	6400	6400	6000	48, 56, 56H, 66, 203, 204
3/4	2.00 : 1	6400	---	6000	48, 56, 56H, 66, 203, 204
3/4	2.05 : 1	---	6500	6000	56, 56H, 66, 203, 204, 182, 184, 143T, 145T
1	2.05 : 1	6500	---	6000	56, 56H, 66, 182, 184, 143T, 145T, 224, 225, 203, 204
1	2.19 : 1	6600	---	6000	56, 56H, 66, 182, 184, 143T, 145T, 203, 204
1	2.19 : 1	---	66150	6000	56, 56H, 66, 182, 184, 143T, 145T, 203, 204, 224, 225
1-1/2	2.19 : 1	66150	---	6000	56, 56H, 66, 182, 184, 143T, 145T, 203, 204, 224, 225
1-1/2	2.19 : 1	---	66200	6000	56, 56H, 66, 182, 184, 143T, 145T, 224, 225
2	2.19 : 1	66200	---	6000	56, 56H, 66, 182, 184, 143T, 145T, 224, 225

PAGE NUMBERS FOR ABOVE MODELS:

6325, 6400, 6500 PAGE G-2

6600, 66150, 66200PAGE G-2

MODEL NO. 6325 / SPEED AND CENTER DISTANCE TABLE
USE MOTOR BASE NO. 6000

DRIVEN SPEED				Companion Sheave	CENTER DISTANCE (INCHES) AT MAXIMUM SPEED POSITION															
1750 RPM		1160 RPM																		
Min.	Max.	Min.	Max.																	
1045	1723	693	1142	AC33	7.9	8.9	9.9	11.9	13.9	14.9	16.9	18.9	19.9	21.9	23.9	24.9	29.9	34.9	39.9	44.9
983	1621	652	1075	AC35	7.8	8.8	9.8	11.8	13.8	14.8	16.8	18.8	19.8	21.8	23.8	24.8	29.8	34.8	39.8	44.8
857	1414	568	937	AC40	7.4	8.4	9.4	11.4	13.4	14.4	16.4	18.4	19.4	21.4	23.4	24.4	29.4	34.4	39.4	44.4
760	1253	504	830	AC45	7.0	8.0	9.0	11.0	13.0	14.0	16.0	18.0	19.0	21.0	23.0	24.0	29.0	34.0	39.0	44.0
682	1125	452	745	AC50	6.6	7.6	8.6	10.6	12.6	13.6	15.6	17.6	18.6	20.6	22.6	23.6	28.6	33.6	38.6	43.6
567	934	376	619	AC60		6.6	7.7	9.7	11.8	12.8	14.8	16.8	17.8	19.8	21.8	22.8	27.9	32.9	37.9	42.9
484	799	321	530	AC70			6.7	8.7	10.8	11.8	13.8	15.9	16.9	18.9	21.0	22.0	27.0	32.0	37.0	42.0
423	698	281	463	AC80				7.8	9.9	10.9	12.9	15.0	16.0	18.0	20.0	21.1	26.1	31.1	36.1	41.1
376	619	249	411	AC90					8.9	10.0	12.0	14.1	15.1	17.1	19.2	20.2	25.2	30.2	35.3	40.3
338	557	224	369	AC100					8.1	9.1	11.2	13.2	14.2	16.3	18.3	19.4	24.4	29.5	34.5	39.6
307	506	203	335	AC110						8.1	10.1	12.3	15.3	15.4	17.5	18.5	23.5	28.6	33.7	38.7
281	463	186	307	AC120							9.1	11.3	12.3	14.4	16.6	17.6	22.7	27.7	32.8	37.8
259	427	172	283	AC130								10.1	11.3	13.4	15.4	16.6	21.7	26.8	31.9	37.0
240	397	159	263	AC140									10.2	12.4	14.4	15.5	20.8	25.9	31.0	36.1
224	370	149	245	AC150										11.2	13.5	14.5	19.8	25.0	30.1	35.2
184	303	122	200	AC183													16.6	21.8	27.1	32.2
					4L	4L	4L	4L	4L	4L	4L	4L	4L	4L	4L	4L	A68	A78	A88	A98
					260	280	300	340	380	400	440	480	500	540	580	600				

MODEL NO. 6400 / SPEED AND CENTER DISTANCE TABLE
USE MOTOR BASE NO. 6000

DRIVEN SPEED				Companion Sheave	CENTER DISTANCE (INCHES) AT MAXIMUM SPEED POSITION																
1750 RPM		1160 RPM																			
Min.	Max.	Min.	Max.																		
875	1750	580	1060	AC40	8.8	9.8	10.8	11.8	12.8	13.8	15.8	17.8	18.8	20.8	22.8	23.8	28.8	33.8	38.8	43.8	
776	1552	514	1028	AC45	8.4	9.4	10.4	11.4	12.4	13.4	15.4	17.4	18.4	20.4	22.4	23.4	28.4	33.4	38.4	43.4	
697	1394	462	924	AC50	8.0	9.0	10.0	11.0	12.0	13.0	15.0	17.0	18.0	20.0	22.0	23.0	28.0	33.0	38.0	43.0	
632	1264	419	838	AC55		8.6	9.6	10.6	11.6	12.6	14.6	16.6	17.6	19.6	21.6	22.6	27.6	32.6	37.6	42.6	
578	1156	383	766	AC60		8.1	9.1	10.2	11.2	12.2	14.2	16.2	17.2	19.2	21.2	22.2	27.2	32.2	37.2	42.2	
533	1066	353	706	AC65			8.7	9.7	10.7	11.8	13.8	15.8	16.8	18.8	20.8	21.8	26.8	31.8	36.8	41.8	
495	990	328	656	AC70			8.2	9.2	10.3	11.3	13.3	15.3	16.3	18.4	20.4	21.4	26.4	31.4	36.4	41.4	
432	864	286	572	AC80				8.4	9.4	10.4	12.4	14.5	15.5	17.5	19.5	20.5	25.6	30.6	35.6	40.6	
383	766	254	508	AC90					8.7	9.7	11.7	13.7	14.8	16.8	18.8	19.8	24.9	29.9	35.0	40.0	
345	690	228	456	AC100							10.7	12.7	13.8	15.8	17.9	18.9	24.0	29.0	34.0	39.0	
313	626	208	416	AC110								11.8	12.8	14.9	16.9	18.0	23.0	28.1	33.1	38.1	
287	574	190	380	AC120									10.8	11.8	13.9	16.0	17.0	22.1	27.2	32.2	37.3
265	530	175	350	AC130											13.0	15.0	16.1	21.2	26.3	31.3	36.4
246	492	163	326	AC140											11.9	14.0	15.1	20.3	25.4	30.5	35.6
229	458	151	302	AC150												13.0	14.2	19.4	24.5	29.6	34.7
188	376	124	248	AC183														16.0	21.4	26.6	31.7
					4L	4L	4L	4L	4L	4L	4L	4L	4L	4L	4L	4L	A68	A78	A88	A98	
					300	320	340	360	380	400	440	480	500	540	580	600					

**MODEL NO. 6500 / SPEED AND CENTER DISTANCE TABLE
USE MOTOR BASE NO. 6000**

DRIVEN SPEED				Companion Sheave	CENTER DISTANCE (INCHES) AT MAXIMUM SPEED POSITION																					
1750 RPM		1160 RPM			857	1750	568	1160	BC50	7.3	8.3	9.3	10.3	11.3	12.3	14.3	16.3	17.3	19.3	21.3	22.3	27.3	32.3	37.3	42.3	
Min.	Max.	Min.	Max.																							
792	1616	525	1071	BC54	7.0	8.0	9.0	10.0	11.0	12.0	14.0	16.0	17.0	19.0	21.0	22.0	27.0	32.0	37.0	42.0						
735	1502	487	995	BC58		7.7	8.7	9.7	10.7	11.7	13.7	15.7	16.7	18.7	20.7	21.7	26.7	31.7	36.7	41.7						
710	1450	471	961	BC60		7.5	8.5	9.5	10.5	11.5	13.5	15.5	16.5	18.5	20.5	21.5	26.5	31.5	36.5	41.5						
665	1357	441	900	BC64		7.2	8.2	9.2	10.2	11.2	13.2	15.2	16.2	18.2	20.2	21.2	26.2	31.2	36.2	41.2						
625	1276	414	845	BC68			7.8	8.8	9.9	10.9	12.9	14.9	15.9	17.9	19.9	20.9	25.9	30.9	35.9	40.9						
606	1238	402	821	BC70			7.6	8.6	9.6	10.7	12.7	14.7	15.7	17.7	19.7	20.7	25.7	30.7	35.7	40.7						
589	1203	390	797	BC72			7.5	8.5	9.5	10.6	12.6	14.6	15.6	17.6	19.6	20.6	25.6	30.6	35.6	40.6						
543	1109	360	735	BC78				7.9	9.0	10.0	12.0	14.0	15.0	17.0	19.0	20.0	25.1	30.1	35.1	40.1						
469	958	311	635	BC90					8.3	9.3	11.3	13.3	14.3	16.4	18.4	19.4	24.4	29.5	34.5	39.5						
430	879	285	582	BC98							10.2	12.2	13.2	15.2	17.3	18.3	23.3	28.4	33.4	38.4						
369	754	246	500	BC114								10.9	11.9	14.0	16.0	17.0	22.1	27.1	32.2	37.2						
328	670	217	444	BC128									10.5	12.5	14.6	15.6	19.8	25.9	31.0	36.0						
300	612	199	406	BC140										11.5	13.6	14.7	19.8	24.9	30.0	35.0						
265	542	176	359	BC158											11.7	12.7	18.1	23.2	28.3	33.4						
223	454	147	301	BC188													15.0	20.3	25.6	30.7						
					B27	B29	B31	B33	B35	B37	B41	B45	B47	B51	B55	B57	B67	B77	B87	B97						

**MODEL NO. 6600, 66150, 66200 / SPEED AND CENTER DISTANCE TABLE
USE MOTOR BASE NO. 6000**

DRIVEN SPEED				Companion Sheave	CENTER DISTANCE (INCHES) AT MAXIMUM SPEED POSITION																				
1750 RPM		1160 RPM			800	1750	530	1160	BC60	8.7	9.7	10.7	11.7	12.7	13.7	14.7	15.7	16.7	17.7	19.7	20.7	25.7	30.7	35.7	40.7
Min.	Max.	Min.	Max.																						
774	1692	513	1122	BC62	8.6	9.6	10.6	11.6	12.6	13.6	14.6	15.6	16.6	17.6	19.6	20.6	25.6	30.6	35.6	40.6					
749	1638	496	1086	BC64	8.4	9.4	10.4	11.4	12.4	13.4	14.4	15.4	16.4	17.4	19.4	20.4	25.4	30.4	35.4	40.4					
726	1587	481	1052	BC66	8.3	9.3	10.3	11.3	12.3	13.3	14.3	15.3	16.3	17.3	19.3	20.3	25.3	30.3	35.3	40.3					
704	1539	466	1020	BC68	8.1	9.1	10.1	11.1	12.1	13.1	14.1	15.1	16.1	17.1	19.1	20.1	25.1	30.1	35.1	40.1					
683	1494	453	990	BC70	8.0	9.0	10.0	11.0	12.0	13.0	14.0	15.0	16.0	17.0	19.0	20.0	25.0	30.0	35.0	40.0					
664	1452	440	962	BC72		8.8	9.8	10.8	11.8	12.8	13.8	14.8	15.8	16.8	18.8	19.8	24.8	29.8	34.8	39.8					
612	1338	405	887	BC78		8.2	9.2	10.3	11.3	12.3	13.3	14.3	15.3	16.3	18.3	19.3	24.3	29.3	34.3	39.3					
529	1156	350	766	BC90				9.3	10.3	11.3	12.3	13.3	14.3	15.4	17.4	18.4	23.4	28.4	33.4	38.4					
485	1060	321	703	BC98					9.5	10.5	11.5	12.5	13.6	14.6	16.6	17.6	22.7	27.7	32.7	37.7					
416	909	276	603	BC114								10.1	11.4	12.2	13.2	15.2	16.2	21.2	26.3	31.4	36.4				
370	809	245	536	BC128										10.9	12.0	14.0	15.0	20.1	25.2	30.2	35.2				
338	738	224	489	BC140												12.9	14.0	19.1	24.2	29.3	34.3				
299	653	198	433	BC158													12.1	17.4	22.6	28.6	32.7				
251	548	166	363	BC188														15.2	20.7	25.9	31.0				
					B33	B35	B37	B39	B41	B43	B48	B47	B49	B51	B55	B57	B67	B77	B87	B97					

ORDERING EXAMPLE FOR COMPLETE DRIVE PACKAGE

Manual control sheave can be used on driver or driven unit. In this example we will use manual control sheave on driver unit

Drive Requirements:

1/3 H.P. Motor @ 1750 RPM
 Motor Shaft Size: 5/8"
 Driven Shaft Size: 5/8"

Desired:

Speed Range 875 to 3500 RPM
 Belt Center Distance: 8.3"

Order:

Model 6400M x 5/8" Manual Control Sheave
 MC Control - Control for Manual Control Sheave
 Model 6400 x 5/8" Spring-Loaded Sheave
 4L260 Belt

Selection Note: Most efficient drive occurs when manual control and spring-loaded sheave are same diameter.

Compound Drive Selection Tables

HP Selection	Speed Ratio Selection	Model Number Selection at Motor RPM		Driven Speed				NEMA Motor Frame Numbers
				1750 RPM		1160 RPM		
		1750 RPM	1160 RPM	Min.	Max.	Min.	Max.	
1/4	2.72 : 1	6325-6325M	6325-6325M	1061	2886	703	1913	48, 56, 56H, 66
1/3	2.72 : 1	6325-6325M	6325-6325M	1061	2886	703	1913	48, 56, 56H, 66
1/3	4.00 : 1		6400-6400M			580	2320	48, 56, 56H, 66
1/2	4.00 : 1	6400-6400M		875	3500			48, 56, 56H, 66
1/2	4.17 : 1		6500-6500M			568	2369	56, 56H, 66, 182, 184, 143T, 145T
3/4	4.17 : 1	6500-6500M		857	3574			56, 56H, 66, 182, 184, 143T, 145T
3/4	4.78 : 1		6600-6600M			530	2537	56, 56H, 66, 182, 184, 143T, 145T
1	4.17 : 1	6500-6500M		857	3574			56, 56H, 66, 182, 184, 143T, 145T
1	4.78 : 1	6600-6600M		800	3828			56, 56H, 66, 182, 184, 143T, 145T
1	4.78 : 1		66150-6600M			530	2537	56, 56H, 66, 182, 184, 143T, 145T
1-1/2	4.78 : 1	66150-6600M		800	3828			56, 56H, 66, 182, 184, 143T, 145T
1-1/2	4.78 : 1		66100-6600M			530	2537	56, 56H, 66, 182, 184, 143T, 145T
2	4.78 : 1	66200-6600M		800	3828			56, 56H, 66, 182, 184, 143T, 145T

CENTER DISTANCE (INCHES) FOR COMPOUND DRIVES

Compound Drive	MANUAL CONTROL SHEAVE AT OPEN POSITION (MINIMUM P.D.)															
	SPRING LOADED SHEAVE AT CLOSED POSITION (MAXIMUM P.D.)															
6325 6325M	5.9	6.4	6.9	7.4	7.9	8.4	8.9	9.9	10.9	12.9	14.9	15.9	17.9	20.9	22.9	25.9
6400 6400M			6.2	6.7	7.3	7.8	8.3	9.3	10.3	12.3	14.3	15.3	17.3	20.3	22.3	25.3
	4L 200	4L 210	4L 220	4L 230	4L 240	4L 250	4L 260	4L 280	4L 300	4L 340	4L 380	4L 400	4L 440	4L 500	4L 540	4L 600

CENTER DISTANCE (INCHES) FOR COMPOUND DRIVES

Compound Drive	MANUAL CONTROL SHEAVE AT OPEN POSITION (MINIMUM P.D.)															
	SPRING LOADED SHEAVE AT CLOSED POSITION (MAXIMUM P.D.)															
6500 6500M	6.0	6.5	7.0	7.5	8.0	9.0	10.0	11.0	12.0	13.0	14.1	16.1	18.1	19.1	21.1	24.1
66150 6600 66200 6600M					7.0	8.0	9.1	10.1	11.2	12.2	13.2	15.3	17.3	18.3	20.3	23.3
	B21	B22	B23	B24	B25	B27	B29	B31	B33	B35	B37	B41	B45	B47	B51	B57

USEFUL ENGINEERING FORMULAS

Horsepower

Horsepower (HP) is the rate of doing work. One HP is equal to raising 33,000 pounds one foot in one minute.

$$HP = \frac{\text{Force} \times \text{FPM}}{33,000}$$

$$HP = \frac{\text{Torque (in Inch-Pounds)} \times \text{RPM}}{63,025}$$

$$HP = \frac{\text{Torque (in Foot-Pounds)} \times \text{RPM}}{5,252}$$

Torque

Torque (T) is a turning movement or twisting effort.

$$T \text{ (in Inch-Pounds)} = \frac{63,025 \times \text{HP}}{\text{RPM}}$$

$$= \text{Force} \times \text{Lever Arm (in Inches)}$$

$$T \text{ (in Foot-Pounds)} = \frac{5,252 \times \text{HP}}{\text{RPM}}$$

$$= \text{Force} \times \text{Lever Arm (in Feet)}$$

Belt Speed

$$\text{FPM} = \text{Diameter (in.)} \times \text{RPM} \times .262$$

Revolutions Per Minute

$$\text{RPM} = \frac{\text{FPM}}{.262 \times \text{Diameter (in.)}}$$

Belt Drive Tensions

The effective tension (T_e) is the difference between the tight side tension (T_1) and the slack side tension (T_2). It is the force available for transmitting the load.

$$T_e = (T_1 - T_2) = \frac{\text{HP} \times 33,000}{\text{FPM}}$$

Belt Length

To determine the belt length to use for a V-belt drive when the center distance and sheave diameters are known:

$$L = 2C + 1.57(D + d) + \frac{(D - d)^2}{4C}$$

Flywheel Formulas

The weight of a cast iron rim (lbs.) = mean rim diameter (inches) \times rim thickness (inches) \times width of rim (inches) \times .82.

The flywheel effect, commonly referred to as WR^2 or WK^2 can be figured for any rim in lb. ft.²

$$WR^2 = \text{Weight of rim (lbs.)} \times \text{mean radius (feet)}^2$$

$$T \text{ (in Inch-Pounds)} = \frac{.039 (N_2 - N_1) (WR^2)}{t}$$

V-Belt Drive Shaft Loads

To calculate the shaft loading resulting from the minimum belt tensions required to transmit a given torque:

Minimum Belt Pull ($T_1 + T_2$) =

$$\left(\frac{2.5 - A_c}{A_c} \right) \times \left(\frac{33,000 \times \text{Design HP}}{\text{FPM}} \right)$$

The maximum belt pull will approximate 1.5 times the above value depending upon belt tensions.

Center Distance

To determine the actual center distance (C) on which a given V-belt drive will operate:

$$\text{compute } A = L - 1.57(D + d)$$

$$C = \frac{[A - h(D - d)]}{2}$$

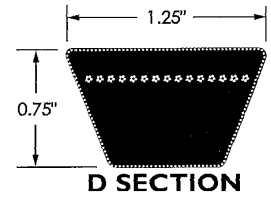
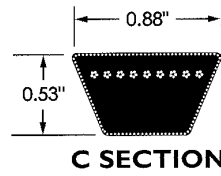
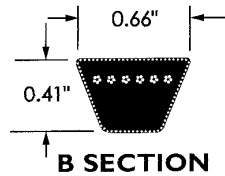
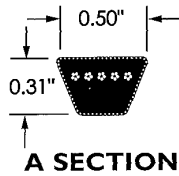
The "h" factors are listed in the following table:

Center Distance Factor, "h"

$\frac{D-d}{A}$	h	$\frac{D-d}{A}$	h	$\frac{D-d}{A}$	h	$\frac{D-d}{A}$	h
0.00	0.00	0.16	0.08	0.30	0.16	0.43	0.24
0.02	0.01	0.18	0.09	0.32	0.17	0.44	0.25
0.04	0.02	0.20	0.10	0.34	0.18	0.46	0.26
0.06	0.03	0.21	0.11	0.35	0.19	0.47	0.27
0.08	0.04	0.23	0.12	0.37	0.20	0.48	0.28
0.10	0.05	0.25	0.13	0.39	0.21	0.50	0.29
0.12	0.06	0.27	0.14	0.40	0.22	0.51	0.30
0.14	0.07	0.29	0.15	0.41	0.23		



HY-T PLUS™ (CLASSICAL)

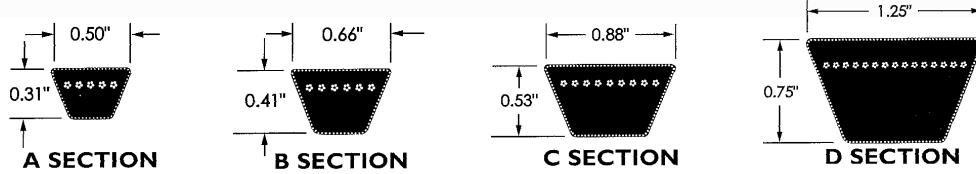


A SECTION HY-T BELTS: Top Width = 0.50" Thickness = 0.31"

BELT NO.	LIST PRICE	NOM. PITCH LGTH.	NOM. OUTS. LGTH.	HY-T WT LB	BELT NO.	LIST PRICE	NOM. PITCH LGTH.	NOM. OUTS. LGTH.	HY-T WT LB
A20 (4L220)	\$ 4.18	21.3	22.0	.10	A66 (4L680)	\$ 7.60	67.3	68.0	.37
A21 (4L230)	\$ 4.18	22.3	23.0	.10	A67 (4L690)	\$ 7.70	68.3	69.0	.38
A22 (4L240)	\$ 4.18	23.3	24.0	.11	A68 (4L700)	\$ 7.77	69.3	70.0	.38
A23 (4L250)	\$ 4.18	24.3	25.0	.11	A69 (4L710)	\$ 7.93	70.3	71.0	.39
A24 (4L260)	\$ 4.26	25.3	26.0	.12	A70 (4L720)	\$ 8.11	71.3	72.0	.39
A25 (4L270)	\$ 4.32	26.3	27.0	.12	A71 (4L730)	\$ 8.18	72.3	73.0	.38
A26 (4L280)	\$ 4.39	27.3	28.0	.16	A72 (4L740)	\$ 8.20	73.3	74.0	.40
A27 (4L290)	\$ 4.45	28.3	29.0	.16	A73 (4L750)	\$ 8.27	74.3	75.0	.39
A28 (4L300)	\$ 4.52	29.3	30.0	.16	A74 (4L760)	\$ 8.33	75.3	76.0	.42
A29 (4L310)	\$ 4.59	30.3	31.0	.17	A75 (4L770)	\$ 8.44	76.3	77.0	.42
A30 (4L320)	\$ 4.65	31.3	32.0	.18	A76 (4L780)	\$ 8.59	77.3	78.0	.43
A31 (4L330)	\$ 4.72	32.3	33.0	.18	A77 (4L790)	\$ 8.71	78.3	79.0	.43
A32 (4L340)	\$ 4.83	33.3	34.0	.19	A78 (4L800)	\$ 8.85	79.3	80.0	.44
A33 (4L350)	\$ 4.89	34.3	35.0	.19	A79 (4L810)	\$ 8.97	80.3	81.0	.42
A34 (4L360)	\$ 5.00	35.3	36.0	.20	A80 (4L820)	\$ 9.11	81.3	82.0	.45
A35 (4L370)	\$ 5.06	36.3	37.0	.20	A81 (4L830)	\$ 9.26	82.3	83.0	.45
A36 (4L380)	\$ 5.16	37.3	38.0	.21	A82 (4L840)	\$ 9.39	83.3	84.0	.46
A37 (4L390)	\$ 5.30	38.3	39.0	.21	A83 (4L850)	\$ 9.52	84.3	85.0	.44
A38 (4L400)	\$ 5.41	39.3	40.0	.22	A84 (4L860)	\$ 9.66	85.3	86.0	.47
A39 (4L410)	\$ 5.50	40.3	41.0	.23	A85 (4L870)	\$ 9.80	86.3	87.0	.48
A40 (4L420)	\$ 5.56	41.3	42.0	.23	A86 (4L880)	\$ 9.93	87.3	88.0	.48
A41 (4L430)	\$ 5.68	42.3	43.0	.24	A87 (4L890)	\$ 10.07	88.3	89.0	.46
A42 (4L440)	\$ 5.80	43.3	44.0	.24	A88 (4L900)	\$ 10.19	89.3	90.0	.49
A43 (4L450)	\$ 5.91	44.3	45.0	.25	A89 (4L910)	\$ 10.34	90.3	91.0	.50
A44 (4L460)	\$ 5.97	45.3	46.0	.25	A90 (4L920)	\$ 10.46	91.3	92.0	.50
A45 (4L470)	\$ 6.04	46.3	47.0	.25	A91 (4L930)	\$ 10.60	92.3	93.0	.51
A46 (4L480)	\$ 6.08	47.3	48.0	.26	A92 (4L940)	\$ 10.71	93.3	94.0	.49
A47 (4L490)	\$ 6.14	48.3	49.0	.26	A93 (4L950)	\$ 10.80	94.3	95.0	.52
A48 (4L500)	\$ 6.21	49.3	50.0	.27	A94 (4L960)	\$ 10.94	95.3	96.0	.52
A49 (4L510)	\$ 6.28	50.3	51.0	.28	A95 (4L970)	\$ 11.04	96.3	97.0	.53
A50 (4L520)	\$ 6.34	51.3	52.0	.29	A96 (4L980)	\$ 11.14	97.3	98.0	.53
A51 (4L530)	\$ 6.42	52.3	53.0	.29	A97 (4L990)	\$ 11.27	98.3	99.0	.54
A52 (4L540)	\$ 6.49	53.3	54.0	.30	A98 (4L1000)	\$ 11.38	99.3	100.0	.55
A53 (4L550)	\$ 6.55	54.3	55.0	.30	A100	\$ 11.62	101.3	102.0	.56
A54 (4L560)	\$ 6.66	55.3	56.0	.29	A103	\$ 11.97	104.3	105.0	.66
A55 (4L570)	\$ 6.73	56.3	57.0	.30	A105	\$ 12.15	106.3	107.0	.58
A56 (4L580)	\$ 6.79	57.3	58.0	.32	A110	\$ 13.09	111.3	112.0	.70
A57 (4L590)	\$ 6.85	58.3	59.0	.31	A112	\$ 13.51	113.3	114.0	.62
A58 (4L600)	\$ 6.95	59.3	60.0	.33	A120	\$ 14.52	121.3	122.0	.76
A59 (4L610)	\$ 7.01	60.3	61.0	.33	A128	\$ 15.53	129.3	130.0	.86
A60 (4L620)	\$ 7.09	61.3	62.0	.34	A133	\$ 16.16	134.3	135.0	.89
A61 (4L630)	\$ 7.19	62.3	63.0	.35	A136	\$ 16.55	137.3	138.0	.91
A62 (4L640)	\$ 7.25	63.3	64.0	.35	A144	\$ 17.53	145.3	146.0	.97
A63 (4L650)	\$ 7.36	64.3	65.0	.36	A158	\$ 19.25	159.3	160.0	1.06
A64 (4L660)	\$ 7.43	65.3	66.0	.36	A173	\$ 21.12	174.3	175.0	1.16
A65 (4L670)	\$ 7.49	66.3	67.0	.37	A180	\$ 21.98	181.3	182.0	1.20



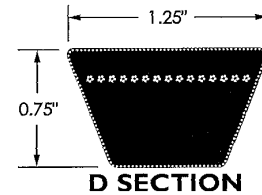
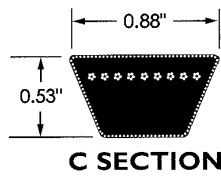
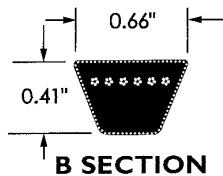
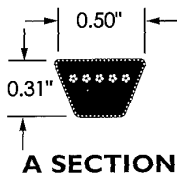
HY-T PLUS™ (CLASSICAL)



B SECTION HY-T BELTS: Top Width = 0.66" Thickness = 0.41"									
BELT NO.	LIST PRICE	NOM. PITCH LGTH.	NOM. OUTS. LGTH.	HY-T	BELT NO.	LIST PRICE	NOM. PITCH LGTH.	NOM. OUTS. LGTH.	HY-T
				WT LB					WT LB
B22 (5L250)	\$ 5.13	23.8	25.0	.20	B79 (5L820)	\$ 12.83	80.8	82.0	.81
B23 (5L260)	\$ 5.28	24.8	26.0	.21	B80 (5L830)	\$ 13.00	81.8	83.0	.77
B24 (5L270)	\$ 5.41	25.8	27.0	.21	B81 (5L840)	\$ 13.17	82.8	84.0	.83
B25 (5L280)	\$ 5.50	26.8	28.0	.22	B82 (5L850)	\$ 13.51	83.8	85.0	.79
B26 (5L290)	\$ 5.64	27.8	29.0	.23	B83 (5L860)	\$ 13.60	84.8	86.0	.85
B27 (5L300)	\$ 5.74	28.8	30.0	.24	B84 (5L870)	\$ 13.74	85.8	87.0	.86
B28 (5L310)	\$ 5.88	29.8	31.0	.25	B85 (5L880)	\$ 13.84	86.8	88.0	.87
B29 (5L320)	\$ 6.01	30.8	32.0	.25	B86 (5L890)	\$ 13.98	87.8	89.0	.88
B30 (5L330)	\$ 6.14	31.8	33.0	.26	B87 (5L900)	\$ 14.13	88.8	90.0	.89
B31 (5L340)	\$ 6.28	32.8	34.0	.27	B88 (5L910)	\$ 14.25	89.8	91.0	.90
B32 (5L350)	\$ 6.38	33.8	35.0	.28	B89 (5L920)	\$ 14.39	90.8	92.0	.85
B33 (5L360)	\$ 6.52	34.8	36.0	.29	B90 (5L930)	\$ 14.52	91.8	93.0	.86
B34 (5L370)	\$ 6.61	35.8	37.0	.29	B91 (5L940)	\$ 14.71	92.8	94.0	.87
B35 (5L380)	\$ 6.75	36.8	38.0	.38	B92 (5L950)	\$ 14.96	93.8	95.0	.94
B36 (5L390)	\$ 6.95	37.8	39.0	.36	B93 (5L960)	\$ 15.19	94.8	96.0	.89
B37 (5L400)	\$ 7.22	38.8	40.0	.37	B94 (5L970)	\$ 15.37	95.8	97.0	.90
B38 (5L410)	\$ 7.43	39.8	41.0	.41	B95 (5L980)	\$ 15.53	96.8	98.0	.97
B39 (5L420)	\$ 7.60	40.8	42.0	.39	B96 (5L990)	\$ 15.70	97.8	99.0	.92
B40 (5L430)	\$ 7.77	41.8	43.0	.40	B97 (5L1000)	\$ 15.88	98.8	100.0	.99
B41 (5L440)	\$ 7.93	42.8	44.0	.41	B98	\$ 15.97	99.8	101.0	.94
B42 (5L450)	\$ 8.11	43.8	45.0	.45	B99	\$ 16.10	100.8	102.0	.94
B43 (5L460)	\$ 8.27	44.8	46.0	.43	B100	\$ 16.21	101.8	103.0	1.02
B44 (5L470)	\$ 8.44	45.8	47.0	.44	B101	\$ 16.31	102.8	104.0	.97
B45 (5L480)	\$ 8.62	46.8	48.0	.48	B103	\$ 16.55	104.8	106.0	1.05
B46 (5L490)	\$ 8.77	47.8	49.0	.49	B105	\$ 16.88	106.8	108.0	1.07
B47 (5L500)	\$ 8.91	48.8	50.0	.50	B108	\$ 17.49	109.8	111.0	1.03
B48 (5L510)	\$ 9.05	49.8	51.0	.51	B111	\$ 18.03	112.8	114.0	1.13
B49 (5L520)	\$ 9.17	50.8	52.0	.48	B112	\$ 18.24	113.8	115.0	1.07
B50 (5L530)	\$ 9.32	51.8	53.0	.52	B115	\$ 18.63	116.8	118.0	1.17
B51 (5L540)	\$ 9.46	52.8	54.0	.54	B116	\$ 18.75	117.8	119.0	1.11
B52 (5L550)	\$ 9.56	53.8	55.0	.54	B118	\$ 19.00	119.8	121.0	1.21
B53 (5L560)	\$ 9.62	54.8	56.0	.55	B120	\$ 19.25	121.8	123.0	1.21
B54 (5L570)	\$ 9.72	55.8	57.0	.56	B124	\$ 19.93	125.8	127.0	1.36
B55 (5L580)	\$ 9.80	56.8	58.0	.57	B128	\$ 20.59	129.8	131.0	1.29
B56 (5L590)	\$ 9.87	57.8	59.0	.58	B133	\$ 21.61	134.8	136.0	1.46
B57 (5L600)	\$ 9.93	58.8	60.0	.59	B136	\$ 21.85	137.8	139.0	1.49
B58 (5L610)	\$ 9.99	59.8	61.0	.60	B140	\$ 22.65	141.8	143.0	1.53
B59 (5L620)	\$ 10.07	60.8	62.0	.61	B144	\$ 23.30	145.8	147.0	1.57
B60 (5L630)	\$ 10.13	61.8	63.0	.62	B148	\$ 23.87	149.8	151.0	1.62
B61 (5L640)	\$ 10.26	62.8	64.0	.63	B150	\$ 24.10	151.8	153.0	1.64
B62 (5L650)	\$ 10.40	63.8	65.0	.64	B154	\$ 25.00	155.8	157.0	1.68
B63 (5L660)	\$ 10.54	64.8	66.0	.65	B158	\$ 25.32	159.8	161.0	1.72
B64 (5L670)	\$ 10.66	65.8	67.0	.66	B162	\$ 26.33	163.8	165.0	1.77
B65 (5L680)	\$ 10.80	66.8	68.0	.67	B173	\$ 27.69	174.8	176.0	1.88
B66 (5L690)	\$ 10.94	67.8	69.0	.68	B180	\$ 29.03	181.8	183.0	1.96
B67 (5L700)	\$ 11.04	68.8	70.0	.65	B190	\$ 30.65	191.8	193.0	2.06
B68 (5L710)	\$ 11.14	69.8	71.0	.70	B195	\$ 31.39	196.8	198.0	2.12
B69 (5L720)	\$ 11.27	70.8	72.0	.71	B205	\$ 32.92	206.8	208.0	2.22
B70 (5L730)	\$ 11.44	71.8	73.0	.72	B210	\$ 33.75	211.8	213.0	2.28
B71 (5L740)	\$ 11.58	72.8	74.0	.69	B225	\$ 35.85	226.8	228.0	2.42
B72 (5L750)	\$ 11.72	73.8	75.0	.74	B240	\$ 38.16	241.8	243.0	2.58
B73 (5L760)	\$ 11.85	74.8	76.0	.75	B255	\$ 40.69	256.8	258.0	2.74
B74 (5L770)	\$ 12.03	75.8	77.0	.71	B270	\$ 43.22	271.8	273.0	2.90
B75 (5L780)	\$ 12.15	76.8	78.0	.72	B285	\$ 45.58	286.8	288.0	3.06
B76 (5L790)	\$ 12.33	77.8	79.0	.73	B300	\$ 47.94	301.8	303.0	3.22
B77 (5L800)	\$ 12.49	78.8	80.0	.79	B315	\$ 51.39	316.8	318.0	3.27
B78 (5L810)	\$ 12.66	79.8	81.0	.80					



HY-T PLUS™ (CLASSICAL)



C SECTION HY-T BELTS: Top Width = 0.88" Thickness = 0.53"																	
BELT NO.	LIST PRICE	NOM. PITCH LGTH.	NOM. OUTS. LGTH.	HY-T		BELT NO.	LIST PRICE	NOM. PITCH LGTH.	NOM. OUTS. LGTH.	HY-T		BELT NO.	LIST PRICE	NOM. PITCH LGTH.	NOM. OUTS. LGTH.	HY-T	
				WT	LB					WT	LB					WT	LB
C51	\$ 15.53	53.9	55.0	.92		C101	\$ 30.83	103.9	105.0	1.77		C180	\$ 54.02	182.9	184.0	3.42	
C55	\$ 16.74	57.9	59.0	.99		C105	\$ 31.74	107.9	109.0	1.83		C190	\$ 57.02	192.9	194.0	3.61	
C60	\$ 18.24	62.9	64.0	1.07		C106	\$ 32.00	108.9	110.0	1.85		C195	\$ 58.41	197.9	199.0	3.70	
C68	\$ 20.59	70.9	72.0	1.21		C108	\$ 32.58	110.9	112.0	1.88		C210	\$ 63.14	212.9	214.0	4.04	
C71	\$ 21.46	73.9	75.0	1.27		C109	\$ 32.88	111.9	113.0	1.90		C225	\$ 66.96	225.9	227.0	4.29	
C72	\$ 21.91	74.9	76.0	1.29		C112	\$ 33.75	114.9	116.0	1.95		C240	\$ 70.90	240.9	242.0	4.57	
C75	\$ 22.63	77.9	79.0	1.32		C115	\$ 34.65	117.9	119.0	2.00		C255	\$ 75.83	255.9	257.0	4.85	
C78	\$ 23.53	80.9	82.0	1.38		C120	\$ 36.13	122.9	124.0	2.08		C270	\$ 80.03	270.9	272.0	5.13	
C81	\$ 24.64	83.9	85.0	1.43		C124	\$ 37.28	126.9	128.0	2.43		C285	\$ 84.45	285.9	287.0	5.42	
C85	\$ 25.32	87.9	89.0	1.50		C128	\$ 38.74	130.9	132.0	2.21		C300	\$ 88.79	300.9	302.0	5.70	
C90	\$ 27.34	92.9	94.0	1.58		C136	\$ 40.66	138.9	140.0	2.61		C315	\$ 93.18	315.9	317.0	6.00	
C93	\$ 28.19	95.9	97.0	1.64		C144	\$ 43.22	146.9	148.0	2.76		C330	\$ 97.58	330.9	332.0	6.29	
C96	\$ 29.03	98.9	100.0	1.68		C150	\$ 44.95	152.9	154.0	2.87		C345	\$ 101.97	345.9	347.0	6.57	
C97	\$ 29.35	99.9	101.0	1.69		C158	\$ 47.27	160.9	162.0	3.01		C360	\$ 106.36	360.9	362.0	6.85	
C99	\$ 29.94	101.9	103.0	1.74		C162	\$ 48.29	164.9	166.0	3.09		C390	\$ 115.47	390.9	392.0	7.42	
C100	\$ 30.25	102.9	104.0	1.75		C173	\$ 51.66	175.9	177.0	3.29		C420	\$ 124.59	420.9	422.0	7.98	

D SECTION HY-T BELTS: Top Width = 1.25" Thickness = 0.75"																	
BELT NO.	LIST PRICE	NOM. PITCH LGTH.	NOM. OUTS. LGTH.	HY-T		BELT NO.	LIST PRICE	NOM. PITCH LGTH.	NOM. OUTS. LGTH.	HY-T		BELT NO.	LIST PRICE	NOM. PITCH LGTH.	NOM. OUTS. LGTH.	HY-T	
				WT	LB					WT	LB					WT	LB
D112	\$ 62.53	115.3	117.0	4.19		D210	\$116.49	213.3	215.0	8.45		D345	\$ 188.40	345.8	347.5	13.69	
D120	\$ 66.86	123.3	125.0	4.94		D225	\$123.06	225.8	227.5	8.96		D360	\$ 196.51	360.8	362.5	14.28	
D128	\$ 71.24	131.3	133.0	5.26		D240	\$131.00	240.8	242.5	9.54		D390	\$ 213.39	390.8	392.5	15.45	
D144	\$ 80.03	147.3	149.0	5.88		D255	\$139.12	255.8	257.5	10.13		D420	\$ 230.28	420.8	422.5	16.63	
D158	\$ 87.79	161.3	163.0	6.43		D270	\$147.56	270.8	272.5	10.71		D450	\$ 247.16	450.8	452.5	17.80	
D162	\$ 90.48	165.3	167.0	6.58		D285	\$155.66	285.8	287.5	11.30		D480	\$ 264.03	480.8	482.5	18.98	
D173	\$ 95.89	176.3	178.0	7.01		D300	\$163.76	300.8	302.5	11.88		D540	\$ 297.81	540.8	542.5	21.33	
D180	\$ 99.60	183.3	185.0	7.28		D315	\$172.02	315.8	317.5	12.52							
D195	\$108.05	198.3	200.0	7.87		D330	\$180.31	330.8	332.5	13.10							

E SECTION HY-T BELTS: Top Width = 1.50" Thickness = 0.91"																	
BELT NO.	LIST PRICE	NOM. PITCH LGTH.	NOM. OUTS. LGTH.	HY-T		BELT NO.	LIST PRICE	NOM. PITCH LGTH.	NOM. OUTS. LGTH.	HY-T		BELT NO.	LIST PRICE	NOM. PITCH LGTH.	NOM. OUTS. LGTH.	HY-T	
				WT	LB					WT	LB					WT	LB
E180	\$169.60	184.5	187.5	9.88		E300	\$277.26	301.0	304.0	16.16		E420	\$ 391.94	421.0	424.0	23.08	
E195	\$183.51	199.5	202.5	10.79		E330	\$304.96	331.0	334.0	18.19		E480	\$ 450.50	481.0	484.0	26.34	
E210	\$197.77	214.5	217.5	11.59		E360	\$332.41	361.0	364.0	19.82		E540	\$ 510.01	541.0	544.0	30.30	
E240	\$222.00	241.5	244.0	12.99		E390	\$362.18	391.0	394.0	21.45		E600	\$ 569.57	601.0	604.0	33.70	
E270	\$249.59	271.5	274.0	14.57													

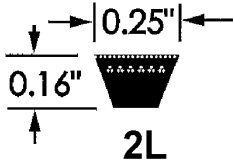
NOTE: "E" SECTION BELTS ARE FOR REPLACEMENT ON EXISTING DRIVES ONLY. NEVER USE FOR NEW DRIVE DESIGN.

VISIT OUR WEB SITE AT WWW.CLARKTR.COM



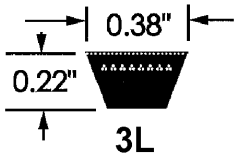
FHP

2L SECTION FHP BELTS: Top Width = 0.25" Thickness = 0.16"



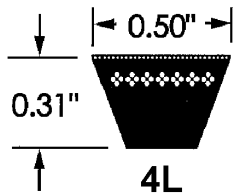
BELT NO.	LIST PRICE	INSIDE LGTH (IN.)	OUTS LGTH (IN.)	FHP WT LB	BELT NO.	LIST PRICE	INSIDE LGTH (IN.)	OUTS LGTH (IN.)	FHP WT LB	BELT NO.	LIST PRICE	INSIDE LGTH (IN.)	OUTS LGTH (IN.)	FHP WT LB
2L120	\$ 4.22	11.0	12.0	.02	2L190	\$ 4.22	18.0	19.0	.03	2L260	\$ 4.52	25.0	26.0	.04
2L140	\$ 4.22	13.0	14.0	.02	2L200	\$ 4.22	19.0	20.0	.03	2L300	\$ 4.58	29.0	30.0	.05
2L150	\$ 4.22	14.0	15.0	.02	2L220	\$ 4.22	21.0	22.0	.03	2L310	\$ 4.62	30.0	31.0	.05
2L160	\$ 4.22	15.0	16.0	.03	2L240	\$ 4.22	23.0	24.0	.04	2L320	\$ 4.68	31.0	32.0	.05
2L180	\$ 4.22	17.0	18.0	.03										

3L SECTION FHP BELTS: Top Width = 0.38" Thickness = 0.22"



BELT NO.	LIST PRICE	INSIDE LGTH (IN.)	OUTS LGTH (IN.)	FHP WT LB	BELT NO.	LIST PRICE	INSIDE LGTH (IN.)	OUTS LGTH (IN.)	FHP WT LB	BELT NO.	LIST PRICE	INSIDE LGTH (IN.)	OUTS LGTH (IN.)	FHP WT LB
3L120	\$ 4.22	10.7	12.0	.04	3L320	\$ 4.68	30.7	32.0	.11	3L520	\$ 6.39	50.7	52.0	.17
3L130	\$ 4.22	11.7	13.0	.05	3L330	\$ 4.74	31.7	33.0	.11	3L530	\$ 6.47	51.7	53.0	.18
3L140	\$ 4.22	12.7	14.0	.05	3L340	\$ 4.82	32.7	34.0	.12	3L540	\$ 6.54	52.7	54.0	.18
3L150	\$ 4.22	13.7	15.0	.05	3L350	\$ 4.93	33.7	35.0	.12	3L550	\$ 6.62	53.7	55.0	.18
3L160	\$ 4.22	14.7	16.0	.06	3L360	\$ 5.01	34.7	36.0	.12	3L560	\$ 6.68	54.7	56.0	.19
3L170	\$ 4.22	15.7	17.0	.06	3L370	\$ 5.11	35.7	37.0	.12	3L570	\$ 6.74	55.7	57.0	.19
3L180	\$ 4.22	16.7	18.0	.06	3L380	\$ 5.23	36.7	38.0	.13	3L580	\$ 6.84	56.7	58.0	.19
3L190	\$ 4.22	17.7	19.0	.07	3L390	\$ 5.33	37.7	39.0	.13	3L590	\$ 6.89	57.7	59.0	.20
3L200	\$ 4.22	18.7	20.0	.07	3L400	\$ 5.43	38.7	40.0	.13	3L600	\$ 6.96	58.7	60.0	.20
3L210	\$ 4.22	19.7	21.0	.07	3L410	\$ 5.54	39.7	41.0	.14	3L610	\$ 7.08	59.7	61.0	.20
3L220	\$ 4.22	20.7	22.0	.08	3L420	\$ 5.62	40.7	42.0	.14	3L620	\$ 7.15	60.7	62.0	.21
3L230	\$ 4.22	21.7	23.0	.08	3L430	\$ 5.67	41.7	43.0	.14	3L630	\$ 7.23	61.7	63.0	.21
3L240	\$ 4.22	22.7	24.0	.08	3L440	\$ 5.74	42.7	44.0	.15	3L640	\$ 7.29	62.7	64.0	.21
3L250	\$ 4.22	23.7	25.0	.09	3L450	\$ 5.86	43.7	45.0	.15	3L650	\$ 7.39	63.7	65.0	.22
3L260	\$ 4.29	24.7	26.0	.09	3L460	\$ 5.93	44.7	46.0	.15	3L660	\$ 7.47	64.7	66.0	.22
3L270	\$ 4.35	25.7	27.0	.09	3L470	\$ 6.04	45.7	47.0	.16	3L670	\$ 7.57	65.7	67.0	.22
3L280	\$ 4.43	26.7	28.0	.10	3L480	\$ 6.11	46.7	48.0	.16	3L690	\$ 7.72	67.7	69.0	.23
3L290	\$ 4.50	27.7	29.0	.10	3L490	\$ 6.17	47.7	49.0	.16	3L730	\$ 8.11	71.7	73.0	.24
3L300	\$ 4.58	28.7	30.0	.10	3L500	\$ 6.25	48.7	50.0	.17	3L740	\$ 8.22	72.7	74.0	.25
3L310	\$ 4.62	29.7	31.0	.11	3L510	\$ 6.33	49.7	51.0	.17	3L760	\$ 8.39	74.7	76.0	.25

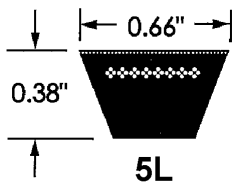
4L SECTION FHP BELTS: Top Width = 0.50" Thickness = 0.31"



All "4L" Belts Feature Goodyear's Exclusive Molded Cog Design For Smoother, Cooler and Quieter Running Drives

BELT NO.	LIST PRICE	INSIDE LGTH (IN.)	OUTS LGTH (IN.)	FHP WT LB	BELT NO.	LIST PRICE	INSIDE LGTH (IN.)	OUTS LGTH (IN.)	FHP WT LB	BELT NO.	LIST PRICE	INSIDE LGTH (IN.)	OUTS LGTH (IN.)	FHP WT LB
4L150	\$ 4.43	13.0	15.0	.09	4L310	\$ 4.86	29.0	31.0	.16	4L470	\$ 6.39	45.0	47.0	.24
4L160	\$ 4.43	14.0	16.0	.08	4L320	\$ 4.93	30.0	32.0	.16	4L480	\$ 6.43	46.0	48.0	.24
4L170	\$ 4.43	15.0	17.0	.09	4L330	\$ 5.01	31.0	33.0	.17	4L490	\$ 6.50	47.0	49.0	.24
4L180	\$ 4.43	16.0	18.0	.09	4L340	\$ 5.11	32.0	34.0	.17	4L500	\$ 6.57	48.0	50.0	.25
4L190	\$ 4.43	17.0	19.0	.10	4L350	\$ 5.19	33.0	35.0	.18	4L510	\$ 6.65	49.0	51.0	.25
4L200	\$ 4.43	18.0	20.0	.10	4L360	\$ 5.29	34.0	36.0	.18	4L520	\$ 6.72	50.0	52.0	.26
4L210	\$ 4.43	19.0	21.0	.11	4L370	\$ 5.35	35.0	37.0	.19	4L530	\$ 6.78	51.0	53.0	.26
4L220	\$ 4.43	20.0	22.0	.11	4L380	\$ 5.47	36.0	38.0	.19	4L540	\$ 6.86	52.0	54.0	.27
4L230	\$ 4.43	21.0	23.0	.12	4L390	\$ 5.62	37.0	39.0	.20	4L550	\$ 6.93	53.0	55.0	.27
4L240	\$ 4.43	22.0	24.0	.12	4L400	\$ 5.72	38.0	40.0	.20	4L560	\$ 7.04	54.0	56.0	.28
4L250	\$ 4.43	23.0	25.0	.13	4L410	\$ 5.84	39.0	41.0	.21	4L570	\$ 7.11	55.0	57.0	.28
4L260	\$ 4.50	24.0	26.0	.13	4L420	\$ 5.90	40.0	42.0	.21	4L580	\$ 7.17	56.0	58.0	.29
4L270	\$ 4.58	25.0	27.0	.14	4L430	\$ 6.01	41.0	43.0	.22	4L590	\$ 7.26	57.0	59.0	.29
4L280	\$ 4.65	26.0	28.0	.14	4L440	\$ 6.15	42.0	44.0	.22	4L600	\$ 7.35	58.0	60.0	.30
4L290	\$ 4.72	27.0	29.0	.15	4L450	\$ 6.26	43.0	45.0	.23					
4L300	\$ 4.80	28.0	30.0	.15	4L460	\$ 6.33	44.0	46.0	.23					

5L SECTION FHP BELTS: Top Width = 0.66" Thickness = 0.38"

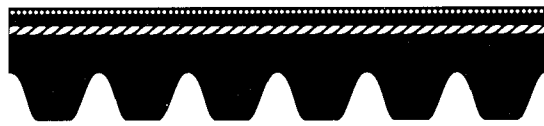


All "5L" Belts Feature Goodyear's Exclusive Molded Cog Design For Smoother, Cooler and Quieter Running Drives

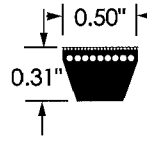
BELT NO.	LIST PRICE	INSIDE LGTH (IN.)	OUTS LGTH (IN.)	FHP WT LB	BELT NO.	LIST PRICE	INSIDE LGTH (IN.)	OUTS LGTH (IN.)	FHP WT LB	BELT NO.	LIST PRICE	INSIDE LGTH (IN.)	OUTS LGTH (IN.)	FHP WT LB
5L230	\$ 5.43	20.0	23.0	.18	5L350	\$ 6.74	32.0	35.0	.27	5L470	\$ 8.94	44.0	47.0	.36
5L240	\$ 5.43	21.0	24.0	.19	5L360	\$ 6.89	33.0	36.0	.28	5L480	\$ 9.12	45.0	48.0	.37
5L250	\$ 5.43	22.0	25.0	.20	5L370	\$ 7.00	34.0	37.0	.29	5L490	\$ 9.29	46.0	49.0	.38
5L260	\$ 5.57	23.0	26.0	.20	5L380	\$ 7.15	35.0	38.0	.29	5L500	\$ 9.44	47.0	50.0	.38
5L270	\$ 5.72	24.0	27.0	.21	5L390	\$ 7.35	36.0	39.0	.30	5L510	\$ 9.58	48.0	51.0	.39
5L280	\$ 5.84	25.0	28.0	.22	5L400	\$ 7.65	37.0	40.0	.31	5L520	\$ 9.73	49.0	52.0	.40
5L290	\$ 5.96	26.0	29.0	.23	5L410	\$ 7.86	38.0	41.0	.32	5L530	\$ 9.85	50.0	53.0	.41
5L300	\$ 6.08	27.0	30.0	.23	5L420	\$ 8.05	39.0	42.0	.32	5L540	\$ 10.00	51.0	54.0	.41
5L310	\$ 6.23	28.0	31.0	.24	5L430	\$ 8.22	40.0	43.0	.33	5L550	\$ 10.12	52.0	55.0	.42
5L320	\$ 6.35	29.0	32.0	.25	5L440	\$ 8.39	41.0	44.0	.34	5L560	\$ 10.19	53.0	56.0	.43
5L330	\$ 6.50	30.0	33.0	.26	5L450	\$ 8.57	42.0	45.0	.35					
5L340	\$ 6.65	31.0	34.0	.26	5L460	\$ 8.76	43.0	46.0	.35					



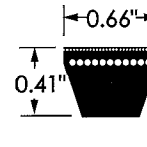
TORQUE-FLEX®



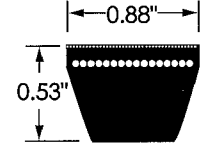
SIDE VIEW



AX



BX



CX

AX SECTION TORQUE-FLEX BELTS: Top Width = 0.50" Thickness = 0.31"

BELT NO.	LIST PRICE	NOM. PITCH LGTH.	NOM. OUTS. LGTH.	T-F WT LB	BELT NO.	LIST PRICE	NOM. PITCH LGTH.	NOM. OUTS. LGTH.	T-F WT LB	BELT NO.	LIST PRICE	NOM. PITCH LGTH.	NOM. OUTS. LGTH.	T-F WT LB	BELT NO.	LIST PRICE	NOM. PITCH LGTH.	NOM. OUTS. LGTH.	T-F WT LB	
AX21T	\$ 5.47	22.3	23.0	.15	AX43T	\$ 7.72	44.3	45.0	.29	AX63T	\$ 9.62	64.3	65.0	.41	AX83T	\$ 12.44	84.3	85.0	.53	
AX22T	\$ 5.47	23.3	24.0	.16	AX44T	\$ 7.81	45.3	46.0	.29	AX64T	\$ 9.71	65.3	66.0	.42	AX84T	\$ 12.61	85.3	86.0	.54	
AX23T	\$ 5.47	24.3	25.0	.16	AX45T	\$ 7.90	46.3	47.0	.30	AX65T	\$ 9.79	66.3	67.0	.42	AX85T	\$ 12.80	86.3	87.0	.54	
AX24T	\$ 5.61	25.3	26.0	.17	AX46T	\$ 7.94	47.3	48.0	.31	AX66T	\$ 9.92	67.3	68.0	.43	AX86T	\$ 12.97	87.3	88.0	.55	
AX26T	\$ 5.75	27.3	28.0	.18	AX47T	\$ 8.03	48.3	49.0	.31	AX67T	\$ 10.06	68.3	69.0	.43	AX87T	\$ 13.15	88.3	89.0	.56	
AX27T	\$ 5.83	28.3	29.0	.19	AX48T	\$ 8.12	49.3	50.0	.32	AX68T	\$ 10.14	69.3	70.0	.44	AX88T	\$ 13.32	89.3	90.0	.56	
AX28T	\$ 5.91	29.3	30.0	.19	AX49T	\$ 8.22	50.3	51.0	.32	AX69T	\$ 10.37	70.3	71.0	.45	AX89T	\$ 13.50	90.3	91.0	.57	
AX29T	\$ 6.00	30.3	31.0	.20	AX50T	\$ 8.29	51.3	52.0	.33	AX70T	\$ 10.58	71.3	72.0	.45	AX90T	\$ 13.67	91.3	92.0	.57	
AX30T	\$ 6.09	31.3	32.0	.21	AX51T	\$ 8.38	52.3	53.0	.34	AX71T	\$ 10.68	72.3	73.0	.46	AX91T	\$ 13.85	92.3	93.0	.58	
AX31T	\$ 6.17	32.3	33.0	.21	AX52T	\$ 8.47	53.3	54.0	.34	AX72T	\$ 10.72	73.3	74.0	.46	AX93T	\$ 14.12	94.3	95.0	.59	
AX32T	\$ 6.31	33.3	34.0	.22	AX53T	\$ 8.56	54.3	55.0	.35	AX73T	\$ 10.80	74.3	75.0	.47	AX94T	\$ 14.36	95.3	96.0	.60	
AX33T	\$ 6.39	34.3	35.0	.23	AX54T	\$ 8.70	55.3	56.0	.35	AX74T	\$ 10.89	75.3	76.0	.48	AX95T	\$ 14.42	96.3	97.0	.61	
AX34T	\$ 6.54	35.3	36.0	.23	AX55T	\$ 8.78	56.3	57.0	.36	AX75T	\$ 11.03	76.3	77.0	.48	AX96T	\$ 14.56	97.3	98.0	.61	
AX35T	\$ 6.61	36.3	37.0	.24	AX56T	\$ 8.87	57.3	58.0	.37	AX76T	\$ 11.21	77.3	78.0	.49	AX97T	\$ 14.74	98.3	99.0	.62	
AX36T	\$ 6.74	37.3	38.0	.24	AX57T	\$ 8.95	58.3	59.0	.37	AX77T	\$ 11.38	78.3	79.0	.49	AX98T	\$ 14.87	99.3	100.0	.62	
AX37T	\$ 6.93	38.3	39.0	.25	AX58T	\$ 9.08	59.3	60.0	.38	AX78T	\$ 11.55	79.3	80.0	.50	AX100T	\$ 15.19	101.3	102.0	.64	
AX38T	\$ 7.06	39.3	40.0	.26	AX59T	\$ 9.18	60.3	61.0	.38	AX79T	\$ 11.73	80.3	81.0	.51	AX103T	\$ 15.65	104.3	105.0	.65	
AX39T	\$ 7.19	40.3	41.0	.26	AX60T	\$ 9.26	61.3	62.0	.39	AX80T	\$ 11.92	81.3	82.0	.51	AX105T	\$ 15.89	106.3	107.0	.67	
AX40T	\$ 7.28	41.3	42.0	.27	AX61T	\$ 9.40	62.3	63.0	.40	AX81T	\$ 12.08	82.3	83.0	.52	AX110T	\$ 17.12	111.3	112.0	.70	
AX41T	\$ 7.42	42.3	43.0	.27	AX62T	\$ 9.49	63.3	64.0	.40	AX82T	\$ 12.27	83.3	84.0	.53	AX112T	\$ 17.66	113.3	114.0	.71	
AX42T	\$ 7.59	43.3	44.0	.28																

BX SECTION TORQUE-FLEX BELTS: Top Width = 0.66" Thickness = 0.41"

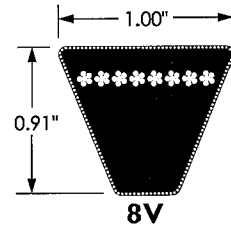
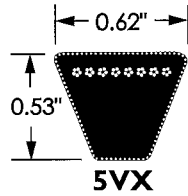
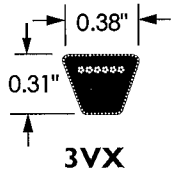
BELT NO.	LIST PRICE	NOM. PITCH LGTH.	NOM. OUTS. LGTH.	T-F WT LB	BELT NO.	LIST PRICE	NOM. PITCH LGTH.	NOM. OUTS. LGTH.	T-F WT LB	BELT NO.	LIST PRICE	NOM. PITCH LGTH.	NOM. OUTS. LGTH.	T-F WT LB	BELT NO.	LIST PRICE	NOM. PITCH LGTH.	NOM. OUTS. LGTH.	T-F WT LB	
BX28T	\$ 7.68	29.8	31.0	.30	BX59T	\$ 13.15	60.8	62.0	.58	BX84T	\$ 17.96	85.8	87.0	.81	BX120T	\$ 25.15	121.8	123.0	1.29	
BX32T	\$ 8.34	33.8	35.0	.33	BX60T	\$ 13.24	61.8	63.0	.59	BX85T	\$ 18.10	86.8	88.0	.82	BX123T	\$ 25.85	124.8	126.0	1.42	
BX34T	\$ 8.66	35.8	37.0	.35	BX61T	\$ 13.42	62.8	64.0	.60	BX86T	\$ 18.27	87.8	89.0	.83	BX124T	\$ 26.03	125.8	127.0	1.43	
BX35T	\$ 8.83	36.8	38.0	.36	BX62T	\$ 13.58	63.8	65.0	.61	BX87T	\$ 18.44	88.8	90.0	.84	BX126T	\$ 26.47	127.8	129.0	1.45	
BX36T	\$ 9.08	37.8	39.0	.37	BX63T	\$ 13.76	64.8	66.0	.62	BX88T	\$ 18.62	89.8	91.0	.85	BX128T	\$ 26.92	129.8	131.0	1.37	
BX38T	\$ 9.71	39.8	41.0	.39	BX64T	\$ 13.94	65.8	67.0	.63	BX89T	\$ 18.81	90.8	92.0	.86	BX133T	\$ 28.24	134.8	136.0	1.53	
BX40T	\$ 10.15	41.8	43.0	.41	BX65T	\$ 14.12	66.8	68.0	.64	BX90T	\$ 18.97	91.8	93.0	.87	BX136T	\$ 28.76	137.8	139.0	1.56	
BX41T	\$ 10.37	42.8	44.0	.42	BX66T	\$ 14.30	67.8	69.0	.65	BX91T	\$ 19.25	92.8	94.0	.88	BX140T	\$ 29.61	141.8	143.0	1.61	
BX42T	\$ 10.58	43.8	45.0	.43	BX67T	\$ 14.42	68.8	70.0	.66	BX92T	\$ 19.55	93.8	95.0	.89	BX144T	\$ 30.44	145.8	147.0	1.65	
BX43T	\$ 10.81	44.8	46.0	.44	BX68T	\$ 14.56	69.8	71.0	.67	BX93T	\$ 19.84	94.8	96.0	.90	BX148T	\$ 31.21	149.8	151.0	1.70	
BX44T	\$ 11.03	45.8	47.0	.45	BX69T	\$ 14.74	70.8	72.0	.68	BX94T	\$ 20.07	95.8	97.0	.90	BX150T	\$ 31.61	151.8	153.0	1.72	
BX45T	\$ 11.26	46.8	48.0	.45	BX70T	\$ 14.96	71.8	73.0	.68	BX95T	\$ 20.29	96.8	98.0	.91	BX154T	\$ 32.35	155.8	157.0	1.76	
BX46T	\$ 11.47	47.8	49.0	.46	BX71T	\$ 15.14	72.8	74.0	.69	BX96T	\$ 20.52	97.8	99.0	.92	BX158T	\$ 33.08	159.8	161.0	1.81	
BX47T	\$ 11.65	48.8	50.0	.47	BX72T	\$ 15.31	73.8	75.0	.70	BX97T	\$ 20.73	98.8	100.0	.93	BX162T	\$ 34.42	163.8	165.0	1.85	
BX48T	\$ 11.83	49.8	51.0	.48	BX73T	\$ 15.49	74.8	76.0	.71	BX98T	\$ 20.89	99.8	101.0	.94	BX173T	\$ 36.18	174.8	176.0	1.98	
BX49T	\$ 11.99	50.8	52.0	.49	BX74T	\$ 15.71	75.8	77.0	.72	BX99T	\$ 21.05	100.8	102.0	.95	BX180T	\$ 37.94	181.8	183.0	2.06	
BX50T	\$ 12.17	51.8	53.0	.50	BX75T	\$ 15.89	76.8	78.0	.73	BX100T	\$ 21.18	101.8	103.0	.96	BX191T	\$ 40.21	192.8	194.0	2.18	
BX51T	\$ 12.35	52.8	54.0	.51	BX76T	\$ 16.10	77.8	79.0	.74	BX103T	\$ 21.62	104.8	106.0	.99	BX195T	\$ 41.03	196.8	198.0	2.22	
BX52T	\$ 12.49	53.8	55.0	.52	BX77T	\$ 16.33	78.8	80.0	.75	BX105T	\$ 22.06	106.8	108.0	1.01	BX210T	\$ 44.11	211.8	213.0	2.39	
BX53T	\$ 12.58	54.8	56.0	.53	BX78T	\$ 16.55	79.8	81.0	.76	BX106T	\$ 22.31	107.8	109.0	1.02	BX225T	\$ 46.99	226.8	228.0	2.54	
BX54T	\$ 12.72	55.8	57.0	.54	BX79T	\$ 16.76	80.8	82.0	.77	BX108T	\$ 22.83	109.8	111.0	1.03	BX240T	\$ 49.86	241.8	243.0	2.71	
BX55T	\$ 12.80	56.8	58.0	.55	BX80T	\$ 16.99	81.8	83.0	.78	BX112T	\$ 23.82	113.8	115.0	1.07	BX255T	\$ 53.17	256.8	258.0	2.88	
BX56T	\$ 12.87	57.8	59.0	.56	BX81T	\$ 17.21	82.8	84.0	.79	BX113T	\$ 24.02	114.8	116.0	1.08	BX270T	\$ 56.48	271.8	273.0	3.04	
BX57T	\$ 13.00	58.8	60.0	.56	BX82T	\$ 17.66	83.8	85.0	.79	BX115T	\$ 24.33	116.8	118.0	1.10	BX300T	\$ 63.10	301.8	303.0	3.38	
BX58T	\$ 13.06	59.8	61.0	.57	BX83T	\$ 17.78	84.8	86.0	.80	BX116T	\$ 24.50	117.8	119.0	1.26						

CX SECTION TORQUE-FLEX BELTS: Top Width = 0.88" Thickness = 0.53"

BELT NO.	LIST PRICE	NOM. PITCH LGTH.	NOM. OUTS. LGTH.	T-F WT LB	BELT NO.	LIST PRICE	NOM. PITCH LGTH.	NOM. OUTS. LGTH.	T-F WT LB	BELT NO.	LIST PRICE	NOM. PITCH LGTH.	NOM. OUTS. LGTH.	T-F WT LB	BELT NO.	LIST PRICE	NOM. PITCH LGTH.	NOM. OUTS. LGTH.	T-F WT LB	
CX51T	\$ 20.29	53.9	55.0	1.02	CX85T	\$ 33.08	87.9	89.0	1.62	CX112T	\$ 44.11	114.9	116.0	2.10	CX162T	\$ 63.10	164.9	166.0	3.35	
CX55T	\$ 21.87	57.9	59.0	1.09	CX90T	\$ 35.73	92.9	94.0	1.71	CX115T	\$ 45.26	117.9	119.0	2.26	CX173T	\$ 67.49	175.9	177.0	3.57	
CX60T	\$ 23.82	62.9	64.0	1.18	CX96T	\$ 37.94	98.9	100.0	1.82	CX120T	\$ 47.20	122.9	124.0	2.20	CX180T	\$ 70.58	182.9	184.0	3.71	
CX68T	\$ 26.92	70.9	72.0	1.32	CX100T	\$ 39.90	102.9	104.0	1.89	CX128T	\$ 50.31	130.9	132.0	2.34	CX195T	\$ 76.33	197.9	199.0	4.01	
CX72T	\$ 28.42	74.9	76.0	1.39	CX101T	\$ 39.90	103.9	105.0	1.90	CX136T	\$ 51.71	138.9	140.0	2.83	CX210T	\$ 82.50	212.9	214.0	4.31	
CX75T	\$ 29.56	77.9	79.0	1.44	CX105T	\$ 41.48	107.9	109.0	1.98	CX144T	\$ 56.48	146.9	148.0	2.99	CX240T	\$ 92.65	242.9	244.0	4.87	
CX78T	\$ 30.88	80.9	82.0	1.50	CX109T	\$ 42.97	111.9	113.0	2.05	CX150T	\$ 58.75	152.9	154.0	3.11	CX270T	\$ 104.56	272.9	274.0	5.47	
CX81T	\$ 32.21	83.9	85.0	1.55	CX111T	\$ 43.74	113.9	115.0	2.08	CX158T	\$ 61.77	160.9	162.0	3.27						



HY-T WEDGE™



COGGED SIZES

3VX HY-T WEDGE BELTS: Top Width = 0.38" Thickness = 0.31"

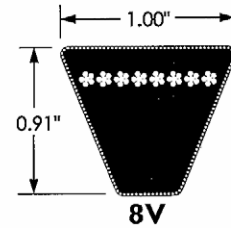
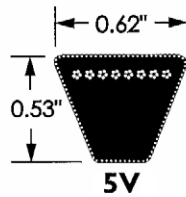
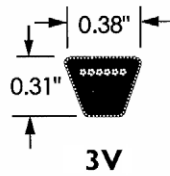
BELT NO.	LIST PRICE	EFFECTIVE OUTSIDE LENGTH	WT LB	BELT NO.	LIST PRICE	EFFECTIVE OUTSIDE LENGTH	WT LB	BELT NO.	LIST PRICE	EFFECTIVE OUTSIDE LENGTH	WT LB
3VX250	\$ 6.62	25.0	.11	3VX475	\$ 9.66	47.5	.20	3VX900	\$ 16.26	90.0	.37
3VX265	\$ 6.78	26.5	.11	3VX500	\$ 9.83	50.0	.21	3VX950	\$ 17.11	95.0	.39
3VX280	\$ 6.94	28.0	.12	3VX530	\$ 10.17	53.0	.22	3VX1000	\$ 18.13	100.0	.41
3VX300	\$ 7.12	30.0	.13	3VX560	\$ 10.51	56.0	.23	3VX1060	\$ 19.15	106.0	.44
3VX315	\$ 7.46	31.5	.13	3VX600	\$ 11.01	60.0	.25	3VX1120	\$ 20.84	112.0	.46
3VX335	\$ 7.62	33.5	.14	3VX630	\$ 11.36	63.0	.26	3VX1180	\$ 22.20	118.0	.49
3VX355	\$ 7.96	35.5	.15	3VX670	\$ 11.86	67.0	.28	3VX1250	\$ 23.72	125.0	.58
3VX375	\$ 8.13	37.5	.16	3VX710	\$ 12.54	71.0	.29	3VX1320	\$ 25.08	132.0	.61
3VX400	\$ 8.63	40.0	.17	3VX750	\$ 13.21	75.0	.31	3VX1400	\$ 26.59	140.0	.65
3VX425	\$ 8.99	42.5	.18	3VX800	\$ 14.07	80.0	.33	3VX1500	\$ 28.46	150.0	.62
3VX450	\$ 9.32	45.0	.19	3VX850	\$ 15.08	85.0	.35				

5VX HY-T WEDGE BELTS: Top Width = 0.62" Thickness = 0.53"

BELT NO.	LIST PRICE	EFFECTIVE OUTSIDE LENGTH	WT LB	BELT NO.	LIST PRICE	EFFECTIVE OUTSIDE LENGTH	WT LB	BELT NO.	LIST PRICE	EFFECTIVE OUTSIDE LENGTH	WT LB
5VX450	\$ 18.75	45.0	.44	5VX680	\$ 27.85	68.0	.66	5VX1000	\$ 41.68	100.0	.97
5VX470	\$ 19.58	47.0	.46	5VX690	\$ 28.27	69.0	.67	5VX1030	\$ 42.97	103.0	1.00
5VX490	\$ 20.43	49.0	.48	5VX710	\$ 29.15	71.0	.69	5VX1060	\$ 44.22	106.0	1.03
5VX500	\$ 20.84	50.0	.49	5VX730	\$ 30.01	73.0	.71	5VX1080	\$ 45.07	108.0	1.04
5VX510	\$ 20.87	51.0	.50	5VX740	\$ 30.43	74.0	.72	5VX1120	\$ 46.78	112.0	1.08
5VX530	\$ 21.70	53.0	.52	5VX750	\$ 30.84	75.0	.73	5VX1150	\$ 48.03	115.0	1.11
5VX540	\$ 22.09	54.0	.53	5VX780	\$ 32.08	78.0	.76	5VX1180	\$ 49.32	118.0	1.14
5VX550	\$ 22.49	55.0	.54	5VX800	\$ 32.87	80.0	.78	5VX1230	\$ 51.39	123.0	1.46
5VX560	\$ 22.70	56.0	.55	5VX810	\$ 33.28	81.0	.79	5VX1250	\$ 52.37	125.0	1.49
5VX570	\$ 23.11	57.0	.56	5VX830	\$ 34.11	83.0	.81	5VX1320	\$ 55.24	132.0	1.58
5VX580	\$ 23.53	58.0	.57	5VX840	\$ 34.52	84.0	.82	5VX1400	\$ 58.29	140.0	1.67
5VX590	\$ 23.92	59.0	.58	5VX850	\$ 35.42	85.0	.83	5VX1500	\$ 62.70	150.0	1.79
5VX600	\$ 24.58	60.0	.59	5VX860	\$ 35.84	86.0	.84	5VX1600	\$ 66.94	160.0	1.91
5VX610	\$ 24.98	61.0	.60	5VX880	\$ 36.67	88.0	.85	5VX1700	\$ 71.17	170.0	2.02
5VX630	\$ 25.75	63.0	.62	5VX900	\$ 36.76	90.0	.87	5VX1800	\$ 75.57	180.0	2.14
5VX650	\$ 26.62	65.0	.64	5VX930	\$ 38.66	93.0	.90	5VX1900	\$ 79.99	190.0	2.26
5VX660	\$ 27.03	66.0	.64	5VX950	\$ 39.49	95.0	.92	5VX2000	\$ 84.38	200.0	2.38
5VX670	\$ 27.45	67.0	.65	5VX960	\$ 39.90	96.0	.93				



HY-T WEDGE™



NONCOGGED SIZES

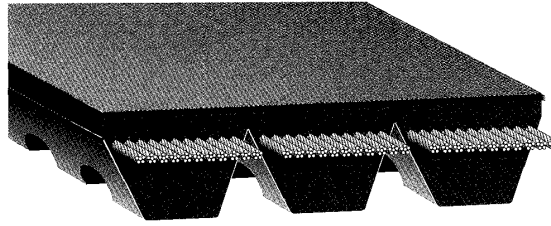
3V HY-T WEDGE BELTS: Top Width = 0.38" Thickness = 0.31"											
BELT NO.	LIST PRICE	EFFECTIVE OUTSIDE LENGTH	WT LB	BELT NO.	LIST PRICE	EFFECTIVE OUTSIDE LENGTH	WT LB	BELT NO.	LIST PRICE	EFFECTIVE OUTSIDE LENGTH	WT LB
3V250 ENV	\$ 6.62	25.0	.12	3V475 ENV	\$ 9.66	47.5	.22	3V900 ENV	\$ 16.26	90.0	.42
3V265 ENV	\$ 6.78	26.5	.12	3V500 ENV	\$ 9.83	50.0	.23	3V950 ENV	\$ 17.11	95.0	.41
3V280 ENV	\$ 6.94	28.0	.13	3V530 ENV	\$ 10.17	53.0	.25	3V1000 ENV	\$ 18.13	100.0	.44
3V300 ENV	\$ 7.12	30.0	.14	3V560 ENV	\$ 10.51	56.0	.26	3V1060 ENV	\$ 19.15	106.0	.49
3V315 ENV	\$ 7.46	31.5	.15	3V600 ENV	\$ 11.01	60.0	.28	3V1120 ENV	\$ 20.84	112.0	.49
3V335 ENV	\$ 7.62	33.5	.16	3V630 ENV	\$ 11.36	63.0	.29	3V1180 ENV	\$ 22.20	118.0	.55
3V355 ENV	\$ 7.96	35.5	.17	3V670 ENV	\$ 11.86	67.0	.31	3V1250 ENV	\$ 23.72	125.0	.58
3V375 ENV	\$ 8.13	37.5	.18	3V710 ENV	\$ 12.54	71.0	.33	3V1320 ENV	\$ 25.08	132.0	.61
3V400 ENV	\$ 8.63	40.0	.19	3V750 ENV	\$ 13.21	75.0	.35	3V1400 ENV	\$ 26.59	140.0	.65
3V425 ENV	\$ 8.99	42.5	.20	3V800 ENV	\$ 14.07	80.0	.37				
3V450 ENV	\$ 9.32	45.0	.21	3V850 ENV	\$ 15.08	85.0	.37				

5V HY-T WEDGE BELTS: Top Width = 0.62" Thickness = 0.53"											
BELT NO.	LIST PRICE	EFFECTIVE OUTSIDE LENGTH	WT LB	BELT NO.	LIST PRICE	EFFECTIVE OUTSIDE LENGTH	WT LB	BELT NO.	LIST PRICE	EFFECTIVE OUTSIDE LENGTH	WT LB
5V500 ENV	\$ 20.84	50.0	.59	5V1060 ENV	\$ 44.22	106.0	1.25	5V2000 ENV	\$ 84.38	200.0	2.38
5V560 ENV	\$ 22.70	56.0	.66	5V1120 ENV	\$ 46.78	112.0	1.32	5V2120	\$ 89.65	212.0	2.52
5V630 ENV	\$ 25.75	63.0	.74	5V1180 ENV	\$ 49.32	118.0	1.38	5V2240	\$ 94.90	224.0	2.66
5V670 ENV	\$ 27.45	67.0	.79	5V1250 ENV	\$ 52.37	125.0	1.49	5V2360	\$ 99.65	236.0	2.80
5V710 ENV	\$ 29.15	71.0	.84	5V1320 ENV	\$ 55.24	132.0	1.58	5V2500	\$105.56	250.0	2.97
5V750 ENV	\$ 30.84	75.0	.88	5V1400 ENV	\$ 58.29	140.0	1.67	5V2650	\$112.17	265.0	3.15
5V800 ENV	\$ 32.87	80.0	.94	5V1500 ENV	\$ 62.70	150.0	1.79	5V2800	\$118.28	280.0	3.32
5V850 ENV	\$ 35.42	85.0	1.00	5V1600 ENV	\$ 66.94	160.0	1.91	5V3000	\$126.58	300.0	3.56
5V900 ENV	\$ 36.76	90.0	1.06	5V1700 ENV	\$ 71.17	170.0	2.02	5V3150	\$132.86	315.0	3.75
5V950 ENV	\$ 39.49	95.0	1.12	5V1800 ENV	\$ 75.57	180.0	2.14	5V3350	\$141.32	335.0	3.98
5V1000 ENV	\$ 41.68	100.0	1.18	5V1900 ENV	\$ 79.99	190.0	2.26	5V3550	\$149.79	355.0	4.22

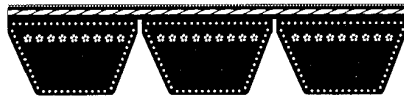
8V HY-T WEDGE BELTS: Top Width = 1.00" Thickness = 0.91"											
BELT NO.	LIST PRICE	EFFECTIVE OUTSIDE LENGTH	WT LB	BELT NO.	LIST PRICE	EFFECTIVE OUTSIDE LENGTH	WT LB	BELT NO.	LIST PRICE	EFFECTIVE OUTSIDE LENGTH	WT LB
8V1000	\$ 79.63	100.0	3.06	8V1800	\$144.71	180.0	5.78	8V3150	\$254.35	315.0	9.64
8V1060	\$ 84.38	106.0	3.25	8V1900	\$153.00	190.0	6.10	8V3350	\$270.78	335.0	10.25
8V1120	\$ 89.29	112.0	3.43	8V2000	\$161.32	200.0	6.42	8V3550	\$286.89	355.0	10.86
8V1180	\$ 94.21	118.0	3.61	8V2120	\$171.32	212.0	6.80	8V3750	\$303.32	375.0	11.46
8V1250	\$ 99.80	125.0	3.82	8V2240	\$180.62	224.0	7.18	8V4000	\$324.33	400.0	12.23
8V1320	\$105.41	132.0	4.25	8V2360	\$189.96	236.0	7.57	8V4250	\$345.34	425.0	12.99
8V1400	\$111.83	140.0	4.51	8V2500	\$201.14	250.0	8.01	8V4500	\$366.35	450.0	13.75
8V1500	\$119.98	150.0	4.83	8V2650	\$213.33	265.0	8.49	8V4750	\$387.37	475.0	14.51
8V1600	\$127.94	160.0	5.15	8V2800	\$225.87	280.0	8.97	8V5000	\$408.38	500.0	15.27
8V1700	\$137.25	170.0	5.46	8V3000	\$241.98	300.0	9.60	8V5600	\$458.88	560.0	17.09



HY-T[®] TORQUE TEAM[®] (CLASSICAL)



Part No: 3/BX112
 3/ 3 Rib Joined Construction
 B .66" Top Width - Classical Profile Rib
 X Premium Cogged Construction
 112 Approximate 112" Inside Length



**ENVELOPE
CROSS SECTION**



**CUT-EDGE
CROSS SECTION**

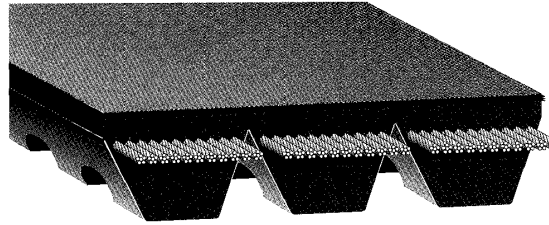


**CUT-EDGE
SIDE VIEW**

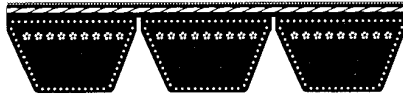
B SECTION TORQUE TEAM BELTS: "X" IN PART NUMBER DENOTES COGGED BELT													
BELT NO.	LIST PRICE				MAX RIBS PER SLAB	WEIGHT PER RIB	BELT NO.	LIST PRICE				MAX RIBS PER SLAB	WEIGHT PER RIB
	2 RIB	3 RIB	4 RIB	5 RIB				2 RIB	3 RIB	4 RIB	5 RIB		
BX35	\$ 18.27	\$ 27.40	\$ 36.55	\$ 45.67	49	0.54	BX82	\$ 36.55	\$ 54.82	\$ 76.26	\$ 95.33	49	1.17
BX38	\$ 20.10	\$ 30.14	\$ 40.20	\$ 50.25	49	0.58	BX83	\$ 36.83	\$ 55.21	\$ 76.84	\$ 96.04	49	1.19
BX42	\$ 21.93	\$ 32.88	\$ 43.85	\$ 54.82	49	0.64	BX84	\$ 37.46	\$ 56.19	\$ 78.18	\$ 97.71	49	1.20
BX43	\$ 22.38	\$ 33.57	\$ 44.76	\$ 55.94	49	0.65	BX85	\$ 37.46	\$ 56.19	\$ 78.18	\$ 97.71	49	1.21
BX46	\$ 23.76	\$ 35.62	\$ 49.58	\$ 61.96	49	0.69	BX87	\$ 38.20	\$ 57.28	\$ 79.70	\$ 99.62	49	1.24
BX48	\$ 24.49	\$ 36.73	\$ 51.11	\$ 63.89	49	0.72	BX88	\$ 38.54	\$ 57.83	\$ 80.45	\$ 100.58	49	1.26
BX50	\$ 25.21	\$ 37.83	\$ 52.62	\$ 65.79	49	0.74	BX90	\$ 39.29	\$ 58.93	\$ 81.99	\$ 102.49	49	1.28
BX51	\$ 25.58	\$ 38.37	\$ 53.38	\$ 66.73	49	0.76	BX93	\$ 41.11	\$ 61.67	\$ 85.80	\$ 107.25	49	1.32
BX52	\$ 25.87	\$ 38.78	\$ 53.95	\$ 67.46	49	0.77	BX95	\$ 42.03	\$ 63.04	\$ 87.71	\$ 109.63	49	1.35
BX53	\$ 26.04	\$ 39.06	\$ 54.33	\$ 67.92	49	0.78	BX96	\$ 42.48	\$ 63.73	\$ 88.66	\$ 110.82	49	1.36
BX54	\$ 26.32	\$ 39.47	\$ 54.92	\$ 68.64	49	0.80	BX97	\$ 42.95	\$ 64.41	\$ 89.62	\$ 112.01	49	1.38
BX55	\$ 26.50	\$ 39.74	\$ 55.30	\$ 69.13	49	0.81	BX99	\$ 43.57	\$ 65.37	\$ 90.94	\$ 113.68	49	1.40
BX56	\$ 26.68	\$ 40.02	\$ 55.68	\$ 69.59	49	0.82	BX100	\$ 43.84	\$ 65.79	\$ 91.52	\$ 114.41	49	1.42
BX57	\$ 26.87	\$ 40.30	\$ 56.06	\$ 70.07	49	0.84	BX103	\$ 44.77	\$ 67.15	\$ 93.42	\$ 116.78	49	1.46
BX58	\$ 27.05	\$ 40.57	\$ 56.43	\$ 70.54	49	0.85	BX105	\$ 45.67	\$ 68.53	\$ 95.33	\$ 119.16	49	1.48
BX59	\$ 27.23	\$ 40.84	\$ 56.82	\$ 71.03	49	0.86	BX108	\$ 47.33	\$ 70.97	\$ 98.77	\$ 123.46	49	1.52
BX60	\$ 27.40	\$ 41.11	\$ 57.20	\$ 71.51	49	0.88	BX112	\$ 49.33	\$ 74.01	\$ 102.95	\$ 128.70	49	1.58
BX61	\$ 27.77	\$ 41.66	\$ 57.98	\$ 72.45	49	0.89	B120	\$ 52.08	\$ 78.11	\$ 108.69	\$ 135.86	38	1.53
BX62	\$ 28.14	\$ 42.21	\$ 58.73	\$ 73.41	49	0.90	B124	\$ 53.90	\$ 80.85	\$ 112.49	\$ 140.61	38	1.61
BX63	\$ 28.50	\$ 42.76	\$ 59.49	\$ 74.35	49	0.92	B128	\$ 55.74	\$ 83.60	\$ 116.31	\$ 145.39	38	1.66
BX64	\$ 28.87	\$ 43.30	\$ 60.24	\$ 75.32	49	0.93	B133	\$ 58.47	\$ 87.71	\$ 122.03	\$ 152.53	38	1.73
BX65	\$ 29.24	\$ 43.84	\$ 61.01	\$ 76.26	49	0.95	B136	\$ 59.56	\$ 89.36	\$ 124.32	\$ 155.40	38	1.77
BX66	\$ 29.61	\$ 44.40	\$ 61.78	\$ 77.21	49	0.96	B144	\$ 63.04	\$ 94.55	\$ 131.56	\$ 164.45	38	1.87
BX67	\$ 29.87	\$ 44.82	\$ 62.34	\$ 77.93	49	0.97	B148	\$ 64.59	\$ 96.90	\$ 134.80	\$ 168.50	38	1.92
BX68	\$ 30.14	\$ 45.22	\$ 62.92	\$ 78.65	49	0.99	B158	\$ 68.53	\$ 102.80	\$ 143.00	\$ 178.76	38	2.04
BX70	\$ 30.98	\$ 46.46	\$ 64.64	\$ 80.80	49	1.01	B162	\$ 71.26	\$ 106.89	\$ 148.72	\$ 185.90	38	2.09
BX71	\$ 31.34	\$ 47.00	\$ 65.41	\$ 81.75	49	1.03	B173	\$ 74.91	\$ 112.37	\$ 156.35	\$ 195.43	38	2.23
BX72	\$ 31.70	\$ 47.56	\$ 66.15	\$ 82.70	49	1.04	B180	\$ 78.57	\$ 117.85	\$ 163.96	\$ 204.96	38	2.32
BX73	\$ 32.06	\$ 48.12	\$ 66.92	\$ 83.67	49	1.05	B195	\$ 84.97	\$ 127.45	\$ 177.32	\$ 221.65	38	2.51
BX74	\$ 32.53	\$ 48.80	\$ 67.88	\$ 84.85	49	1.07	B210	\$ 91.36	\$ 137.04	\$ 190.67	\$ 238.33	38	2.70
BX75	\$ 32.88	\$ 49.33	\$ 68.64	\$ 85.80	49	1.08	B225	\$ 97.02	\$ 145.54	\$ 202.48	\$ 253.11	38	2.88
BX77	\$ 33.81	\$ 50.70	\$ 70.54	\$ 88.18	49	1.11	B240	\$ 103.24	\$ 154.85	\$ 215.45	\$ 269.32	38	3.07
BX78	\$ 34.27	\$ 51.38	\$ 71.51	\$ 89.37	49	1.12	B255	\$ 110.08	\$ 165.13	\$ 229.76	\$ 287.19	38	3.26
BX79	\$ 34.72	\$ 52.08	\$ 72.45	\$ 90.56	49	1.13	B270	\$ 116.94	\$ 175.42	\$ 244.05	\$ 305.06	38	3.45
BX80	\$ 35.17	\$ 52.76	\$ 73.41	\$ 91.75	49	1.15	B300	\$ 129.74	\$ 194.60	\$ 270.75	\$ 338.42	38	3.83
BX81	\$ 35.62	\$ 53.44	\$ 74.35	\$ 92.96	49	1.16	B315	\$ 139.05	\$ 208.58	\$ 290.19	\$ 362.74	38	4.02



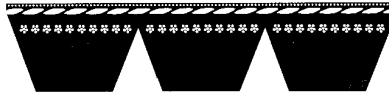
HY-T® TORQUE TEAM® (CLASSICAL)



Part No: 3/CX112
 3/ 3 Rib Joined Construction
 C .88" Top Width - Classical Profile Rib
 X Premium Cogged Construction
 112 Approximate 112" Inside Length



**ENVELOPE
CROSS SECTION**



**CUT-EDGE
CROSS SECTION**



**CUT-EDGE
SIDE VIEW**

C SECTION TORQUE TEAM BELTS: "X" IN PART NUMBER DENOTES COGGED BELT

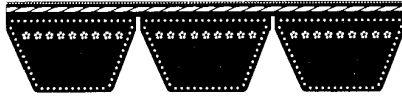
BELT NO.	LIST PRICE				MAX RIBS PER SLAB	WEIGHT PER RIB	BELT NO.	LIST PRICE				MAX RIBS PER SLAB	WEIGHT PER RIB
	2 RIB	3 RIB	4 RIB	5 RIB				2 RIB	3 RIB	4 RIB	5 RIB		
CX60	\$ 49.33	\$ 74.01	\$ 98.67	\$ 123.34	36	1.41	C158	\$127.90	\$ 191.86	\$ 266.94	\$ 333.67	26	3.52
CX68	\$ 55.74	\$ 83.60	\$ 116.31	\$ 145.39	36	1.57	C162	\$130.64	\$ 195.97	\$ 272.66	\$ 340.82	26	3.61
CX75	\$ 61.22	\$ 91.81	\$ 127.75	\$ 159.69	36	1.72	C173	\$139.78	\$ 209.66	\$ 291.71	\$ 364.65	26	3.85
CX81	\$ 66.70	\$ 100.03	\$ 139.19	\$ 173.98	36	1.85	C180	\$146.18	\$ 219.26	\$ 305.06	\$ 381.32	26	4.00
CX85	\$ 68.53	\$ 102.80	\$ 143.00	\$ 178.76	36	1.93	C195	\$158.05	\$ 237.08	\$ 329.85	\$ 412.32	26	4.32
CX90	\$ 74.01	\$ 111.01	\$ 154.44	\$ 193.06	36	2.04	C210	\$170.85	\$ 256.27	\$ 356.55	\$ 445.68	26	4.64
CX96	\$ 78.57	\$ 117.85	\$ 163.96	\$ 204.96	36	2.16	C225	\$181.17	\$ 271.75	\$ 378.09	\$ 472.61	26	4.93
CX99	\$ 97.92	\$ 121.57	\$ 169.12	\$ 211.40	36	2.22	C240	\$191.86	\$ 287.79	\$ 400.40	\$ 500.51	26	5.25
CX100	\$ 81.86	\$ 122.79	\$ 170.84	\$ 213.55	36	2.24	C255	\$205.19	\$ 307.79	\$ 428.22	\$ 535.29	26	5.58
CX105	\$ 85.87	\$ 128.82	\$ 179.22	\$ 224.04	36	2.35	C270	\$216.52	\$ 324.80	\$ 451.89	\$ 564.86	26	5.90
CX108	\$ 88.17	\$ 132.25	\$ 183.99	\$ 229.99	36	2.41	C285	\$228.49	\$ 342.75	\$ 476.85	\$ 596.07	26	6.23
CX109	\$ 88.99	\$ 133.48	\$ 185.71	\$ 232.13	36	2.43	C300	\$240.27	\$ 360.42	\$ 501.45	\$ 626.81	26	6.55
CX112	\$ 91.36	\$ 137.04	\$ 190.67	\$ 238.33	36	2.50	C315	\$252.15	\$ 378.24	\$ 526.24	\$ 657.79	26	6.89
C120	\$ 97.77	\$ 146.64	\$ 204.02	\$ 255.02	14	2.64	C330	\$264.03	\$ 396.04	\$ 551.03	\$ 688.79	26	7.21
C124	\$ 100.87	\$ 150.66	\$ 210.50	\$ 263.10	26	2.79	C345	\$275.91	\$ 413.86	\$ 575.81	\$ 719.77	26	7.54
C128	\$ 104.15	\$ 156.24	\$ 217.36	\$ 271.69	26	2.87	C360	\$287.79	\$ 431.69	\$ 600.60	\$ 750.75	26	7.86
C136	\$ 110.00	\$ 164.99	\$ 229.57	\$ 286.95	26	3.05	C390	\$312.17	\$ 468.67	\$ 652.08	\$ 815.10	26	8.51
C144	\$ 116.94	\$ 175.42	\$ 244.05	\$ 305.06	26	3.22	C420	\$337.11	\$ 505.67	\$ 703.56	\$ 879.45	26	9.16

D SECTION TORQUE TEAM BELTS: ALL D SECTION BELTS ENVELOPE CONSTRUCTION

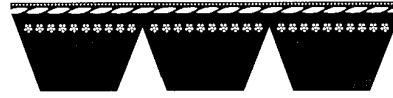
BELT NO.	LIST PRICE				MAX RIBS PER SLAB	WEIGHT PER RIB	BELT NO.	LIST PRICE				MAX RIBS PER SLAB	WEIGHT PER RIB
	2 RIB	3 RIB	4 RIB	5 RIB				2 RIB	3 RIB	4 RIB	5 RIB		
D120	\$ 218.60	\$ 271.35	\$ 377.51	\$ 471.90	10	5.26	D300	\$443.10	\$ 664.65	\$ 924.73	\$1,155.91	18	12.88
D144	\$ 216.52	\$ 324.80	\$ 451.89	\$ 564.86	18	6.17	D315	\$465.48	\$ 698.22	\$ 971.45	\$1,214.30	18	13.22
D158	\$ 237.53	\$ 356.30	\$ 495.73	\$ 619.67	18	6.74	D330	\$487.87	\$ 731.80	\$1,018.15	\$1,272.70	18	13.84
D162	\$ 244.85	\$ 367.26	\$ 510.99	\$ 638.73	18	6.91	D345	\$509.80	\$ 764.69	\$1,063.91	\$1,329.88	18	14.46
D173	\$ 259.47	\$ 389.21	\$ 541.50	\$ 676.87	18	7.36	D360	\$531.71	\$ 797.58	\$1,109.68	\$1,387.09	18	15.08
D180	\$ 265.31	\$ 404.27	\$ 562.46	\$ 703.07	18	7.66	D390	\$577.40	\$ 866.10	\$1,205.01	\$1,506.26	18	16.33
D195	\$ 292.34	\$ 438.53	\$ 610.14	\$ 762.67	18	8.28	D420	\$623.07	\$ 934.61	\$1,300.35	\$1,625.43	18	17.57
D210	\$ 315.20	\$ 472.79	\$ 657.79	\$ 822.24	18	8.89	D450	\$668.76	\$1,003.14	\$1,395.67	\$1,744.59	18	18.81
D225	\$ 333.02	\$ 499.52	\$ 694.98	\$ 868.73	18	9.71	D480	\$714.73	\$1,071.65	\$1,491.01	\$1,863.76	18	20.05
D240	\$ 354.49	\$ 531.72	\$ 739.78	\$ 924.73	18	10.34	D540	\$805.81	\$1,208.71	\$1,681.67	\$2,102.08	18	22.53
D255	\$ 376.41	\$ 564.61	\$ 785.54	\$ 971.70	18	10.98	D600	\$897.17	\$1,345.75	\$1,872.35	\$2,340.42	18	25.02
D270	\$ 399.26	\$ 598.87	\$ 833.21	\$1,041.52	18	11.61	D660	\$988.52	\$1,482.78	\$2,063.01	\$2,578.75	18	27.50
D285	\$ 421.17	\$ 631.77	\$ 878.97	\$1,098.71	18	12.25							



HY-T® WEDGE TORQUE TEAM®



**ENVELOPE
CROSS SECTION**



**CUT-EDGE
CROSS SECTION**



**CUT-EDGE
SIDE VIEW**

3V SECTION TORQUE TEAM BELTS: "X" IN PART NUMBER DENOTES COGGED BELT

BELT NO.	LIST PRICE				MAX RIBS PER SLAB	WEIGHT PER RIB	BELT NO.	LIST PRICE				MAX RIBS PER SLAB	WEIGHT PER RIB
	2 RIB	3 RIB	4 RIB	5 RIB				2 RIB	3 RIB	4 RIB	5 RIB		
3VX250	\$ 18.00	\$ 26.99	\$ 35.99	\$ 47.00	90	0.15	3VX630	\$ 30.92	\$ 46.38	\$ 64.52	\$ 80.65	90	0.36
3VX265	\$ 18.46	\$ 27.68	\$ 36.91	\$ 48.15	90	0.16	3VX670	\$ 32.29	\$ 48.44	\$ 67.40	\$ 84.26	90	0.38
3VX280	\$ 18.92	\$ 28.39	\$ 37.84	\$ 49.25	90	0.16	3VX710	\$ 34.14	\$ 51.20	\$ 71.25	\$ 89.07	90	0.40
3VX300	\$ 19.38	\$ 29.07	\$ 38.76	\$ 48.45	90	0.18	3VX750	\$ 35.99	\$ 53.98	\$ 75.11	\$ 93.88	90	0.43
3VX315	\$ 20.31	\$ 30.46	\$ 40.60	\$ 50.76	90	0.18	3VX800	\$ 38.29	\$ 57.46	\$ 79.92	\$ 99.90	90	0.45
3VX335	\$ 20.77	\$ 31.15	\$ 41.54	\$ 51.92	90	0.20	3VX850	\$ 41.07	\$ 61.61	\$ 85.68	\$ 107.13	90	0.48
3VX355	\$ 21.69	\$ 32.54	\$ 43.38	\$ 54.23	90	0.21	3VX900	\$ 45.73	\$ 66.43	\$ 92.43	\$ 115.54	90	0.51
3VX375	\$ 22.16	\$ 33.22	\$ 44.29	\$ 55.38	90	0.22	3VX950	\$ 46.59	\$ 69.90	\$ 97.24	\$ 121.56	90	0.54
3VX400	\$ 23.53	\$ 35.30	\$ 47.08	\$ 58.84	90	0.23	3VX1000	\$ 49.37	\$ 74.05	\$ 103.03	\$ 128.78	90	0.56
3VX425	\$ 24.46	\$ 36.69	\$ 51.04	\$ 63.80	90	0.25	3VX1060	\$ 52.13	\$ 78.20	\$ 108.80	\$ 136.02	90	0.60
3VX450	\$ 25.38	\$ 38.07	\$ 52.96	\$ 66.21	90	0.26	3VX1120	\$ 56.74	\$ 85.13	\$ 118.42	\$ 148.06	90	0.63
3VX475	\$ 26.31	\$ 39.45	\$ 54.88	\$ 67.40	90	0.27	3VX1180	\$ 60.43	\$ 90.66	\$ 126.14	\$ 157.68	90	0.66
3VX500	\$ 26.77	\$ 40.14	\$ 55.85	\$ 69.81	90	0.29	3VX1250	\$ 64.59	\$ 96.88	\$ 134.80	\$ 168.50	90	0.67
3VX530	\$ 27.68	\$ 41.52	\$ 57.77	\$ 72.22	90	0.30	3VX1320	\$ 68.28	\$ 102.42	\$ 142.50	\$ 178.13	90	0.71
3VX560	\$ 28.61	\$ 42.91	\$ 59.69	\$ 74.62	90	0.32	3V1400	\$ 72.43	\$ 108.66	\$ 151.17	\$ 188.97	74	0.79
3VX600	\$ 29.99	\$ 44.99	\$ 62.57	\$ 78.25	90	0.34							

5V SECTION TORQUE TEAM BELTS: "X" IN PART NUMBER DENOTES COGGED BELT

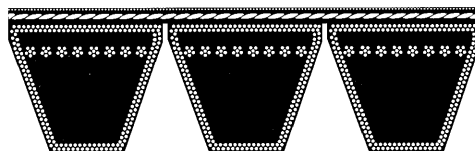
BELT NO.	LIST PRICE				MAX RIBS PER SLAB	WEIGHT PER RIB	BELT NO.	LIST PRICE				MAX RIBS PER SLAB	WEIGHT PER RIB
	2 RIB	3 RIB	4 RIB	5 RIB				2 RIB	3 RIB	4 RIB	5 RIB		
5VX500	\$ 56.74	\$ 85.13	\$ 113.50	\$ 147.95	53	0.69	5V1400	\$ 158.71	\$ 238.07	\$ 331.21	\$ 414.02	42	1.97
5VX530	\$ 59.49	\$ 88.58	\$ 118.12	\$ 147.64	53	0.73	5V1500	\$ 170.71	\$ 256.05	\$ 356.26	\$ 445.32	42	2.11
5VX560	\$ 61.82	\$ 92.73	\$ 129.02	\$ 161.26	53	0.77	5V1600	\$ 182.23	\$ 273.37	\$ 380.33	\$ 475.41	42	2.25
5VX600	\$ 66.89	\$ 100.35	\$ 139.61	\$ 174.52	53	0.82	5V1700	\$ 193.77	\$ 290.66	\$ 404.39	\$ 505.49	42	2.39
5VX630	\$ 70.12	\$ 105.18	\$ 146.34	\$ 182.95	53	0.86	5V1800	\$ 205.76	\$ 308.65	\$ 429.43	\$ 536.79	42	2.53
5VX670	\$ 74.73	\$ 112.12	\$ 155.98	\$ 194.97	53	0.91	5V1900	\$ 217.76	\$ 326.63	\$ 454.47	\$ 568.08	42	2.67
5VX710	\$ 79.36	\$ 119.03	\$ 165.60	\$ 207.01	53	0.97	5V2000	\$ 229.76	\$ 344.64	\$ 479.50	\$ 599.37	42	2.81
5VX750	\$ 83.97	\$ 125.95	\$ 175.22	\$ 219.44	53	1.02	5V2120	\$ 244.07	\$ 366.10	\$ 509.35	\$ 636.70	42	2.98
5VX800	\$ 89.51	\$ 134.25	\$ 186.80	\$ 233.49	53	1.09	5V2240	\$ 258.37	\$ 387.54	\$ 539.20	\$ 673.99	42	3.15
5VX850	\$ 96.42	\$ 144.65	\$ 201.24	\$ 251.56	53	1.15	5V2360	\$ 271.29	\$ 406.93	\$ 566.15	\$ 707.69	42	3.32
5VX900	\$ 100.11	\$ 150.19	\$ 208.94	\$ 261.18	53	1.22	5V2500	\$ 287.53	\$ 431.16	\$ 599.85	\$ 749.83	42	3.51
5VX950	\$ 107.49	\$ 161.25	\$ 224.35	\$ 280.43	53	1.28	5V2650	\$ 305.42	\$ 458.13	\$ 637.40	\$ 796.75	42	3.72
5VX1000	\$ 113.50	\$ 170.24	\$ 236.86	\$ 296.07	53	1.35	5V2800	\$ 322.02	\$ 483.04	\$ 672.07	\$ 840.09	42	3.93
5VX1060	\$ 120.42	\$ 180.63	\$ 251.30	\$ 314.14	53	1.43	5V3000	\$ 344.64	\$ 516.97	\$ 719.24	\$ 899.06	42	4.21
5VX1120	\$ 127.34	\$ 190.99	\$ 265.75	\$ 332.18	53	1.51	5V3150	\$ 361.71	\$ 542.57	\$ 754.87	\$ 943.60	42	4.42
5VX1180	\$ 134.25	\$ 201.39	\$ 280.19	\$ 350.25	53	1.59	5V3350	\$ 384.78	\$ 577.17	\$ 803.01	\$ 1,003.76	42	4.70
5VX1250	\$ 142.57	\$ 213.84	\$ 297.52	\$ 373.84	53	1.75	5V3550	\$ 407.85	\$ 611.78	\$ 851.15	\$ 1,063.94	42	4.98
5VX1320	\$ 150.41	\$ 225.60	\$ 313.89	\$ 392.36	53	1.86							

8V SECTION TORQUE TEAM BELTS: ALL 8V BELTS ENVELOPE CONSTRUCTION

BELT NO.	LIST PRICE				MAX RIBS PER SLAB	WEIGHT PER RIB	BELT NO.	LIST PRICE				MAX RIBS PER SLAB	WEIGHT PER RIB
	2 RIB	3 RIB	4 RIB	5 RIB				2 RIB	3 RIB	4 RIB	5 RIB		
8V1000	\$ 216.84	\$ 325.26	\$ 452.54	\$ 565.67	14	3.37	8V2500	\$ 547.64	\$ 821.46	\$ 1,142.90	\$ 1,428.63	24	8.89
8V1060	\$ 229.76	\$ 344.64	\$ 479.50	\$ 599.37	14	3.57	8V2650	\$ 580.47	\$ 871.30	\$ 1,212.22	\$ 1,515.28	24	9.42
8V1120	\$ 243.14	\$ 364.71	\$ 507.42	\$ 634.28	14	3.77	8V2800	\$ 615.00	\$ 922.50	\$ 1,283.47	\$ 1,604.35	24	9.95
8V1180	\$ 256.52	\$ 384.78	\$ 535.35	\$ 669.18	14	3.97	8V3000	\$ 658.83	\$ 988.25	\$ 1,374.94	\$ 1,718.68	24	10.66
8V1250	\$ 271.75	\$ 407.63	\$ 567.13	\$ 708.90	24	4.20	8V3150	\$ 692.51	\$ 1,038.77	\$ 1,445.22	\$ 1,806.54	24	10.59
8V1320	\$ 286.97	\$ 430.45	\$ 598.89	\$ 748.61	24	4.72	8V3350	\$ 737.26	\$ 1,105.89	\$ 1,538.63	\$ 1,923.28	24	11.26
8V1400	\$ 304.50	\$ 456.75	\$ 635.48	\$ 794.34	24	5.00	8V3550	\$ 781.09	\$ 1,171.64	\$ 1,630.10	\$ 2,037.63	24	11.93
8V1500	\$ 326.65	\$ 489.97	\$ 681.69	\$ 852.11	24	5.36	8V3750	\$ 787.56	\$ 1,181.79	\$ 1,643.60	\$ 2,054.50	24	12.60
8V1600	\$ 348.34	\$ 522.51	\$ 726.96	\$ 908.70	24	5.71	8V4000	\$ 883.04	\$ 1,324.56	\$ 1,842.89	\$ 2,303.61	24	13.44
8V1700	\$ 373.70	\$ 560.55	\$ 779.91	\$ 974.87	24	6.06	8V4250	\$ 940.26	\$ 1,410.39	\$ 1,962.27	\$ 2,452.85	24	14.27
8V1800	\$ 394.01	\$ 591.01	\$ 822.27	\$ 1,027.84	24	6.42	8V4500	\$ 997.47	\$ 1,496.20	\$ 2,081.67	\$ 2,602.08	24	15.11
8V1900	\$ 416.62	\$ 624.93	\$ 869.45	\$ 1,086.81	24	6.77	8V4750	\$ 1,054.68	\$ 1,582.02	\$ 2,201.06	\$ 2,751.33	24	15.95
8V2000	\$ 439.21	\$ 658.82	\$ 916.63	\$ 1,145.79	24	7.12	8V5000	\$ 1,111.89	\$ 1,667.84	\$ 2,320.46	\$ 2,900.59	24	16.78
8V2120	\$ 466.64	\$ 699.66	\$ 973.43	\$ 1,216.80	24	7.55	8V5600	\$ 1,249.37	\$ 1,874.05	\$ 2,607.39	\$ 3,259.23	24	18.79
8V2240	\$ 491.82	\$ 737.73	\$ 1,026.39	\$ 1,282.99	24	7.97	8V6000	\$ 1,418.46	\$ 2,127.69	\$ 2,836.92	\$ 3,546.16	24	20.13
8V2360	\$ 517.20	\$ 775.80	\$ 1,079.36	\$ 1,349.20	24	8.39							



TORQUE TEAM PLUS™



5V & 8V CROSS SECTION VIEW

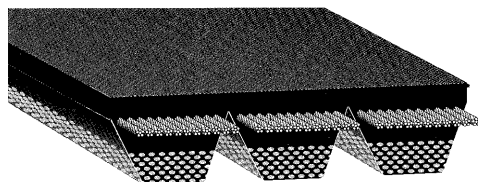
5V SECTION TORQUE TEAM PLUS BELTS: "F" DENOTES MADE WITH FLEXTEN

BELT NO.	LIST PRICE			MAX NO. RIBS PER SLAB	WEIGHT PER RIB	BELT NO.	LIST PRICE			MAX NO. RIBS PER SLAB	WEIGHT PER RIB
	3 RIB	4 RIB	5 RIB				3 RIB	4 RIB	5 RIB		
5VF900	\$ 193.82	\$ 269.62	\$ 337.08	42	1.21	5VF1900	\$ 421.57	\$ 586.55	\$ 733.19	42	2.64
5VF950	\$ 208.11	\$ 289.52	\$ 361.91	42	1.27	5VF2000	\$ 444.78	\$ 618.85	\$ 773.55	42	2.77
5VF1000	\$ 229.26	\$ 305.69	\$ 382.10	42	1.34	5VF2120	\$ 472.26	\$ 657.40	\$ 821.75	42	2.94
5VF1060	\$ 243.24	\$ 324.32	\$ 405.41	42	1.42	5VF2240	\$ 521.90	\$ 695.90	\$ 869.87	42	3.11
5VF1120	\$ 246.51	\$ 342.96	\$ 428.69	42	1.50	5VF2360	\$ 525.16	\$ 730.68	\$ 913.36	42	3.27
5VF1180	\$ 259.88	\$ 361.59	\$ 451.99	42	1.58	5VF2500	\$ 556.41	\$ 774.18	\$ 967.71	42	3.47
5VF1250	\$ 275.99	\$ 384.00	\$ 480.01	42	1.74	5VF2650	\$ 591.27	\$ 822.66	\$1,028.33	42	3.67
5VF1320	\$ 291.15	\$ 405.09	\$ 506.37	42	1.83	5VF2800	\$ 623.41	\$ 867.39	\$1,084.23	42	3.88
5VF1400	\$ 307.26	\$ 427.50	\$ 534.37	42	1.95	5VF3000	\$ 667.19	\$ 928.29	\$1,160.14	42	4.16
5VF1500	\$ 330.47	\$ 459.79	\$ 574.74	42	2.08	5VF3150	\$ 700.24	\$ 974.28	\$1,217.85	42	4.67
5VF1600	\$ 352.78	\$ 490.85	\$ 613.57	42	2.22	5VF3350	\$ 774.90	\$1,036.41	\$1,295.51	42	4.97
5VF1700	\$ 391.46	\$ 521.91	\$ 652.40	42	2.36	5VF3550	\$ 789.55	\$1,098.54	\$1,360.87	42	5.26
5VF1800	\$ 398.32	\$ 554.21	\$ 692.76	42	2.50						

8V SECTION TORQUE TEAM PLUS BELTS: "F" DENOTES MADE WITH FLEXTEN

BELT NO.	LIST PRICE			MAX NO. RIBS PER SLAB	WEIGHT PER RIB	BELT NO.	LIST PRICE			MAX NO. RIBS PER SLAB	WEIGHT PER RIB
	3 RIB	4 RIB	5 RIB				3 RIB	4 RIB	5 RIB		
8VF1250	\$ 525.98	\$ 731.79	\$ 914.75	42	4.35	8VF2800	\$1,190.39	\$1,656.18	\$2,070.23	24	9.68
8VF1320	\$ 555.45	\$ 772.79	\$ 966.00	24	4.59	8VF3000	\$1,275.19	\$1,774.20	\$2,217.75	24	10.36
8VF1400	\$ 589.38	\$ 820.01	\$ 1,025.01	24	4.87	8VF3150	\$1,340.44	\$1,864.90	\$2,331.12	24	10.93
8VF1500	\$ 632.25	\$ 879.64	\$ 1,099.56	24	5.21	8VF3350	\$1,427.01	\$1,985.42	\$2,481.76	24	11.62
8VF1600	\$ 674.24	\$ 938.03	\$ 1,172.56	24	5.55	8VF3550	\$1,511.82	\$2,103.45	\$2,629.31	24	12.31
8VF1700	\$ 723.34	\$ 1,006.36	\$ 1,257.96	24	5.90	8VF3750	\$1,598.47	\$2,223.96	\$2,779.95	24	13.00
8VF1800	\$ 795.77	\$ 1,061.03	\$ 1,326.30	24	6.24	8VF4000	\$1,709.21	\$2,378.02	\$2,972.53	24	13.86
8VF1900	\$ 806.40	\$ 1,121.93	\$ 1,402.41	24	6.58	8VF4250	\$1,819.93	\$2,532.09	\$3,165.11	24	14.72
8VF2000	\$ 850.14	\$ 1,182.79	\$ 1,478.49	24	6.93	8VF4500	\$1,930.66	\$2,686.14	\$3,357.69	24	15.58
8VF2120	\$ 902.84	\$ 1,256.11	\$ 1,570.14	24	7.34	8VF4750	\$2,041.40	\$2,840.21	\$3,550.26	24	16.44
8VF2240	\$ 993.32	\$ 1,324.44	\$ 1,655.55	24	7.75	8VF5000	\$2,152.14	\$2,994.28	\$3,742.84	24	17.31
8VF2360	\$1,001.06	\$ 1,392.78	\$ 1,740.98	24	8.17	8VF5600	\$2,418.25	\$3,364.52	\$4,205.65	24	19.37
8VF2500	\$1,060.00	\$ 1,474.77	\$ 1,843.48	24	8.65	8VF6000	\$2,596.06	\$3,612.05	\$4,515.06	24	20.75
8VF2650	\$1,124.33	\$ 1,564.23	\$ 1,955.30	24	9.16						

TORQUE TEAM® (LAMINATED)



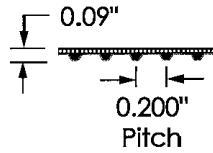
Part No: 5/5VL800
 5/ 5 Rib Joined Construction
 5V .62" Top Width
 L Laminated Construction
 800 80.0" Nominal Outside Length

5V SECTION LAMINATED BELTS							
BELT NO.	LIST PRICE	OUTSIDE LENGTH INCHES	APPROX WT LB	BELT NO.	LIST PRICE	OUTSIDE LENGTH INCHES	APPROX WT LB
5/5VL800	\$ 297.05	80.0	5.09	5/5VL1060	\$ 399.61	106.0	6.67
5/5VL850	\$ 321.76	85.0	5.39	5/5VL1120	\$ 423.42	112.0	7.04
5/5VL900	\$ 335.11	90.0	5.70	5/5VL1180	\$ 446.41	118.0	7.14
5/5VL950	\$ 356.76	95.0	6.00	5/5VL1320	\$ 500.10	132.0	8.86
5/5VL1000	\$ 376.65	100.0	6.31	5/5VL1700	\$ 644.32	170.0	11.38

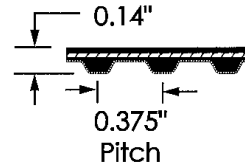


POSITIVE DRIVE Pd™

XL (EXTRA LIGHT)



L (LIGHT)

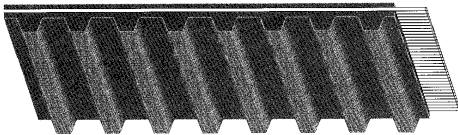


1/5" PITCH EXTRA LIGHT (XL) POSITIVE DRIVE BELTS

BELT NO	PITCH LENGTH	NUMBER OF TEETH	LIST PRICE		APPROX WT. LBS.		BELT NO	PITCH LENGTH	NUMBER OF TEETH	LIST PRICE		APPROX WT. LBS.	
			025	037	025	037				025	037	025	037
50XL	5.00	25	\$ 2.50	\$ 3.28	.01	.01	260XL	26.00	130	\$ 4.08	\$ 5.59	.02	.03
60XL	6.00	30	\$ 2.54	\$ 3.35	.01	.01	280XL	28.00	140	\$ 4.25	\$ 5.82	.02	.03
70XL	7.00	35	\$ 2.69	\$ 3.50	.01	.01	290XL	29.00	145	\$ 4.28	\$ 5.93	.02	.04
80XL	8.00	40	\$ 2.69	\$ 3.59	.01	.01	300XL	30.00	150	\$ 4.39	\$ 6.03	.02	.04
90XL	9.00	45	\$ 2.76	\$ 3.71	.01	.01	310XL	31.00	155	\$ 4.45	\$ 6.13	.03	.04
100XL	10.00	50	\$ 2.87	\$ 3.80	.01	.01	330XL	33.00	165	\$ 4.60	\$ 6.37	.03	.04
110XL	11.00	55	\$ 2.94	\$ 3.95	.01	.01	340XL	34.00	170	\$ 4.75	\$ 6.52	.03	.04
120XL	12.00	60	\$ 3.00	\$ 4.02	.01	.02	350XL	35.00	175	\$ 4.82	\$ 6.65	.03	.04
130XL	13.00	65	\$ 3.08	\$ 4.16	.01	.02	370XL	37.00	185	\$ 4.97	\$ 6.86	.03	.05
140XL	14.00	70	\$ 3.17	\$ 4.26	.01	.02	380XL	38.00	190	\$ 5.04	\$ 7.02	.03	.05
150XL	15.00	75	\$ 3.25	\$ 4.36	.01	.02	390XL	39.00	195	\$ 5.08	\$ 7.04	.03	.05
160XL	16.00	80	\$ 3.32	\$ 4.49	.01	.02	400XL	40.00	200	\$ 5.15	\$ 7.14	.03	.05
170XL	17.00	85	\$ 3.39	\$ 4.58	.01	.02	420XL	42.00	210	\$ 5.35	\$ 7.47	.05	.05
180XL	18.00	90	\$ 3.45	\$ 4.71	.01	.02	450XL	45.00	225	\$ 5.54	\$ 7.70	.04	.05
190XL	19.00	95	\$ 3.57	\$ 4.82	.02	.02	460XL	46.00	230	\$ 5.67	\$ 7.89	.04	.06
200XL	20.00	100	\$ 3.63	\$ 4.92	.02	.02	480XL	48.00	240	\$ 5.83	\$ 8.10	.04	.06
210XL	21.00	105	\$ 3.71	\$ 5.03	.02	.03	500XL	50.00	250	\$ 5.97	\$ 8.33	.04	.06
220XL	22.00	110	\$ 3.77	\$ 5.17	.02	.03	570XL	57.00	285	\$ 6.83	\$ 9.50	.05	.07
230XL	23.00	115	\$ 3.86	\$ 5.23	.02	.03	630XL	63.00	315	\$ 7.50	\$ 10.46	.05	.08
240XL	24.00	120	\$ 3.95	\$ 5.39	.02	.03	770XL	77.00	385	\$ 9.10	\$ 12.65	.08	.12
250XL	25.00	125	\$ 4.02	\$ 5.48	.02	.03							

3/8" PITCH LIGHT (L) POSITIVE DRIVE BELTS

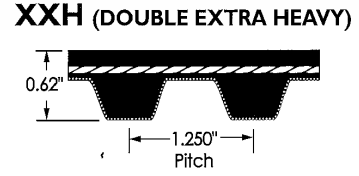
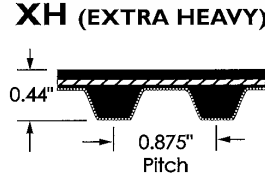
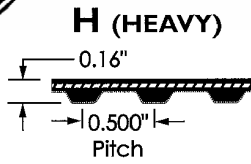
BELT NO	PITCH LENGTH	NUMBER OF TEETH	LIST PRICE			APPROX WT. LBS.		
			050	075	100	050	075	100
124L	12.375	33	\$ 6.71	\$ 9.52	\$ 12.21	.03	.05	.07
135L	13.500	36	\$ 6.89	\$ 9.75	\$ 12.45	.04	.05	.07
150L	15.000	40	\$ 7.40	\$ 10.57	\$ 13.60	.04	.06	.08
165L	16.500	44	\$ 7.65	\$ 11.00	\$ 14.20	.04	.06	.08
187L	18.750	50	\$ 8.06	\$ 11.62	\$ 15.05	.05	.07	.10
195L	19.500	52	\$ 8.25	\$ 11.90	\$ 15.40	.05	.08	.10
210L	21.000	56	\$ 8.76	\$ 12.66	\$ 16.44	.05	.08	.11
225L	22.500	60	\$ 9.01	\$ 13.02	\$ 16.92	.06	.09	.12
240L	24.000	64	\$ 9.46	\$ 13.72	\$ 17.87	.06	.09	.12
255L	25.500	68	\$ 9.67	\$ 14.07	\$ 18.35	.07	.10	.13
270L	27.000	72	\$ 10.12	\$ 14.77	\$ 19.27	.07	.10	.14
285L	28.500	76	\$ 10.37	\$ 15.15	\$ 19.74	.07	.11	.15
300L	30.000	80	\$ 10.83	\$ 15.81	\$ 20.71	.08	.12	.15
322L	32.250	86	\$ 11.28	\$ 16.55	\$ 21.64	.08	.12	.17
345L	34.500	92	\$ 11.74	\$ 17.24	\$ 22.57	.09	.13	.18
367L	36.700	98	\$ 12.15	\$ 17.94	\$ 23.52	.09	.14	.19
390L	39.000	104	\$ 12.84	\$ 18.99	\$ 24.91	.10	.15	.20
420L	42.000	112	\$ 13.51	\$ 20.03	\$ 26.34	.11	.16	.21
450L	45.000	120	\$ 14.21	\$ 21.13	\$ 27.74	.11	.17	.23
480L	48.000	128	\$ 14.91	\$ 22.17	\$ 29.17	.12	.18	.24
510L	51.000	136	\$ 15.36	\$ 22.86	\$ 30.10	.13	.19	.26
540L	54.000	144	\$ 16.27	\$ 24.27	\$ 32.00	.14	.21	.27
600L	60.000	160	\$ 17.63	\$ 26.40	\$ 34.80	.17	.25	.34
660L	66.000	176	\$ 18.80	\$ 28.35	\$ 37.50	.18	.28	.37
817L	81.700	218	\$ 22.39	\$ 33.70	\$ 44.60	.21	.31	.42
900L	90.000	240	\$ 24.65	\$ 37.25	\$ 49.35	.23	.35	.46



Part No: 100 XL 025
 100 10.0" Pitch Length
 XL Pitch-Trapezoidal Tooth Profile
 025 .25" Wide



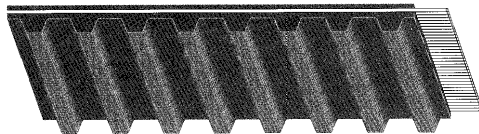
POSITIVE DRIVE Pd™



1/2" PITCH HEAVY (H) POSITIVE DRIVE BELTS												
BELT NO	PITCH LENGTH	NUMBER OF TEETH	LIST PRICE					APPROX WT. LBS.				
			075	100	150	200	300	075	100	150	200	300
210H	21.0	42	\$ 13.26	\$ 16.90	\$ 24.40	\$ 31.88	\$ 46.87	.11	.14	.21	.28	.52
220H	22.0	44	\$ 13.60	\$ 17.38	\$ 25.12	\$ 32.86	\$ 48.34	.11	.14	.21	.29	.55
230H	23.0	46	\$ 13.81	\$ 17.64	\$ 25.51	\$ 33.35	\$ 49.10	.11	.15	.23	.31	.46
240H	24.0	48	\$ 14.21	\$ 18.32	\$ 26.49	\$ 34.70	\$ 51.07	.12	.16	.24	.32	.48
270H	27.0	54	\$ 15.29	\$ 19.76	\$ 28.70	\$ 37.56	\$ 55.41	.13	.18	.27	.36	.54
300H	30.0	60	\$ 16.37	\$ 21.22	\$ 30.87	\$ 40.46	\$ 59.72	.15	.20	.30	.40	.59
320H	32.0	64	\$ 17.06	\$ 21.97	\$ 31.95	\$ 41.94	\$ 61.96	.16	.21	.32	.42	.63
330H	33.0	66	\$ 17.49	\$ 22.66	\$ 33.02	\$ 43.35	\$ 64.06	.16	.22	.33	.44	.65
360H	36.0	72	\$ 18.57	\$ 24.12	\$ 35.19	\$ 46.25	\$ 68.39	.18	.24	.36	.47	.71
390H	39.0	78	\$ 19.65	\$ 25.56	\$ 37.36	\$ 49.12	\$ 72.72	.19	.26	.38	.51	.77
400H	40.0	80	\$ 20.05	\$ 25.90	\$ 37.83	\$ 50.12	\$ 74.84	.20	.26	.39	.52	.78
410H	41.0	82	\$ 20.60	\$ 26.60	\$ 38.80	\$ 51.00	\$ 75.27	.20	.27	.41	.53	.80
420H	42.0	84	\$ 20.74	\$ 27.03	\$ 39.52	\$ 52.02	\$ 77.05	.21	.28	.41	.55	.83
450H	45.0	90	\$ 21.85	\$ 28.44	\$ 41.67	\$ 54.91	\$ 81.34	.22	.29	.44	.59	.88
480H	48.0	96	\$ 22.94	\$ 29.92	\$ 43.85	\$ 57.77	\$ 85.67	.24	.31	.47	.63	.94
490H	49.0	98	\$ 23.23	\$ 30.08	\$ 44.11	\$ 58.14	\$ 86.22	.24	.32	.48	.64	.96
510H	51.0	102	\$ 23.67	\$ 30.89	\$ 45.31	\$ 59.72	\$ 88.57	.25	.33	.50	.67	1.00
540H	54.0	108	\$ 25.11	\$ 32.82	\$ 48.21	\$ 63.58	\$ 94.26	.26	.35	.53	.71	1.06
560H	56.0	112	\$ 25.32	\$ 33.06	\$ 48.65	\$ 64.17	\$ 95.23	.27	.37	.55	.73	1.10
570H	57.0	114	\$ 25.84	\$ 33.79	\$ 49.64	\$ 65.49	\$ 97.22	.28	.37	.56	.74	1.12
585H	58.5	117	\$ 26.28	\$ 34.37	\$ 50.56	\$ 66.70	\$ 99.04	.29	.38	.57	.76	1.15
600H	60.0	120	\$ 27.30	\$ 35.72	\$ 52.54	\$ 69.33	\$ 102.98	.29	.39	.59	.78	1.18
630H	63.0	126	\$ 28.02	\$ 36.69	\$ 53.97	\$ 71.24	\$ 105.88	.31	.41	.62	.82	1.23
645H	64.5	129	\$ 28.50	\$ 37.70	\$ 55.00	\$ 73.00	\$ 108.00	.36	.42	.63	.84	1.44
660H	66.0	132	\$ 29.46	\$ 38.61	\$ 56.87	\$ 75.13	\$ 111.64	.32	.43	.65	.86	1.29
700H	70.0	140	\$ 30.93	\$ 40.53	\$ 59.77	\$ 78.96	\$ 117.40	.34	.46	.68	.91	1.37
730H	73.0	146	\$ 31.30	\$ 41.05	\$ 62.70	\$ 80.00	\$ 119.00	.36	.48	.71	.95	1.43
750H	75.0	150	\$ 32.39	\$ 42.48	\$ 62.66	\$ 82.80	\$ 123.16	.37	.49	.73	.98	1.47
780H	78.0	156	\$ 33.90	\$ 44.50	\$ 64.55	\$ 86.85	\$ 129.25	.44	.51	.76	1.0	1.52
800H	80.0	160	\$ 34.56	\$ 45.38	\$ 65.56	\$ 88.60	\$ 131.82	.39	.52	.78	1.04	1.56
820H	82.0	164	\$ 34.89	\$ 45.60	\$ 66.50	\$ 89.05	\$ 133.10	.46	.53	.80	1.07	1.91
850H	85.0	170	\$ 36.04	\$ 47.30	\$ 69.89	\$ 92.44	\$ 137.58	.41	.55	.83	1.11	1.66
900H	90.0	180	\$ 38.19	\$ 50.20	\$ 74.22	\$ 98.21	\$ 146.24	.44	.59	.88	1.17	1.76
960H	96.0	192	\$ 39.90	\$ 52.48	\$ 77.60	\$ 102.75	\$ 153.05	.47	.62	.94	1.25	1.87
1000H	100.0	200	\$ 41.85	\$ 55.02	\$ 81.45	\$ 107.83	\$ 160.66	.49	.65	.98	1.30	1.95
1100H	110.0	220	\$ 45.49	\$ 59.84	\$ 88.66	\$ 117.47	\$ 175.07	.54	.71	1.07	1.43	2.14
1250H	125.0	250	\$ 50.65	\$ 67.10	\$ 99.53	\$ 131.90	\$ 196.71	.61	.81	1.22	1.62	2.43
1400H	140.0	280	\$ 56.42	\$ 74.32	\$ 110.35	\$ 146.34	\$ 218.32	.68	.91	1.36	1.82	2.73
1700H	170.0	340	\$ 67.34	\$ 88.82	\$ 132.04	\$ 175.21	\$ 261.58	.83	1.10	1.65	2.20	3.31

7/8" PITCH EXTRA HEAVY (XH) POSITIVE DRIVE BELTS

BELT NO	PITCH LENGTH	NUMBER OF TEETH	LIST PRICE			APPROX WT. LBS.		
			200	300	400	200	300	400
507XH	50.75	58	\$ 142.97	\$ 201.19	\$ 259.45	1.59	2.39	3.18
560XH	56.00	64	\$ 152.94	\$ 215.17	\$ 278.51	1.75	2.63	3.50
630XH	63.00	72	\$ 162.93	\$ 230.23	\$ 297.57	1.96	2.94	3.93
700XH	70.00	80	\$ 176.22	\$ 249.61	\$ 322.99	2.18	3.26	4.35
770XH	77.00	88	\$ 186.22	\$ 264.12	\$ 342.04	2.39	3.58	4.78
840XH	84.00	96	\$ 199.55	\$ 283.46	\$ 367.46	2.60	3.90	5.20
980XH	98.00	112	\$ 222.83	\$ 317.37	\$ 411.94	3.02	4.54	6.05
1120XH	112.00	128	\$ 242.81	\$ 346.42	\$ 450.06	3.45	5.17	6.90
1260XH	126.00	144	\$ 267.76	\$ 382.72	\$ 497.70	3.87	5.81	7.75
1400XH	140.00	160	\$ 292.72	\$ 419.03	\$ 545.36	4.30	6.45	8.60
1540XH	154.00	176	\$ 309.38	\$ 443.21	\$ 577.14	4.72	7.09	9.45
1750XH	175.00	200	\$ 350.96	\$ 503.74	\$ 656.55	5.36	8.04	10.72



Part No: 560 XH 200
 560 56.0" Pitch Length
 XH Pitch-Trapezoidal Tooth Profile
 200 2.00" Wide

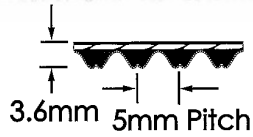
1-1/4" PITCH DOUBLE EXTRA HEAVY (XXH) POSITIVE DRIVE BELTS

BELT NO	PITCH LENGTH	NUMBER OF TEETH	LIST PRICE				APPROX WT. LBS.			
			200	300	400	500	200	300	400	500
700XXH	70.0	56	\$ 211.57	\$ 299.47	\$ 387.26	\$ 475.61	3.13	4.69	6.25	7.82
800XXH	80.0	64	\$ 231.59	\$ 328.52	\$ 425.10	\$ 522.82	3.56	5.34	7.12	8.89
900XXH	90.0	72	\$ 251.65	\$ 357.56	\$ 462.91	\$ 570.02	3.99	5.98	7.98	9.97
1000XXH	100.0	80	\$ 271.70	\$ 386.62	\$ 500.71	\$ 617.20	4.42	6.63	8.84	11.05
1200XXH	120.0	96	\$ 307.25	\$ 444.70	\$ 576.37	\$ 711.60	5.28	7.92	10.57	13.21
1400XXH	140.0	112	\$ 347.35	\$ 502.79	\$ 651.98	\$ 806.00	6.15	9.22	12.29	15.36
1600XXH	160.0	128	\$ 387.42	\$ 560.88	\$ 727.51	\$ 900.39	7.01	10.51	14.02	17.52
1800XXH	180.0	144	\$ 431.13	\$ 618.97	\$ 806.90	\$ 994.80	7.87	11.81	15.74	19.68

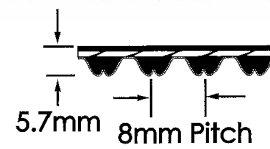


HAWK Pd™

5M

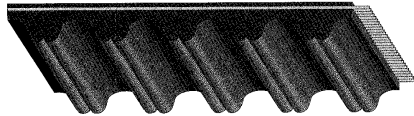


8M



5MM PITCH HAWK PD BELTS

BELT NO	PITCH LENGTH	NUMBER OF TEETH	LIST PRICE			APPROX WT. LBS.		
			5M 09	5M 15	5M 25	5M 09	5M 15	5M 25
350	350	70	\$ 7.82	\$ 11.90	\$ 18.89	.03	.05	.08
375	375	75	\$ 8.06	\$ 12.31	\$ 19.63	.03	.05	.09
400	400	80	\$ 8.31	\$ 12.72	\$ 20.27	.03	.06	.09
425	425	85	\$ 8.50	\$ 13.12	\$ 20.99	.04	.06	.10
450	450	90	\$ 8.75	\$ 13.53	\$ 21.71	.04	.06	.10
475	475	95	\$ 9.00	\$ 13.93	\$ 22.39	.04	.07	.11
500	500	100	\$ 9.27	\$ 14.38	\$ 23.09	.04	.07	.11
535	535	107	\$ 9.70	\$ 15.19	\$ 24.48	.04	.07	.12
565	565	113	\$ 9.97	\$ 15.50	\$ 25.18	.05	.08	.13
600	600	120	\$ 10.16	\$ 15.99	\$ 25.90	.05	.08	.14
635	635	127	\$ 10.62	\$ 16.80	\$ 27.31	.05	.09	.14
670	670	134	\$ 10.92	\$ 17.26	\$ 28.02	.06	.09	.15
710	710	142	\$ 11.12	\$ 17.62	\$ 28.69	.06	.10	.16
740	740	148	\$ 11.57	\$ 18.47	\$ 30.11	.06	.10	.17
800	800	160	\$ 12.06	\$ 19.28	\$ 31.51	.07	.11	.18
850	850	170	\$ 12.51	\$ 20.09	\$ 32.90	.07	.12	.19
890	890	178	\$ 13.01	\$ 20.89	\$ 34.30	.07	.12	.20
950	950	190	\$ 13.45	\$ 21.70	\$ 35.76	.08	.13	.21
1000	1000	200	\$ 13.97	\$ 22.56	\$ 37.11	.08	.14	.22
1050	1050	210	\$ 14.42	\$ 23.36	\$ 38.52	.09	.14	.24
1125	1125	225	\$ 15.12	\$ 24.57	\$ 40.67	.09	.15	.25
1195	1195	239	\$ 15.86	\$ 25.79	\$ 42.73	.10	.16	.27
1270	1270	254	\$ 16.58	\$ 27.05	\$ 44.88	.10	.17	.28
1420	1420	284	\$ 17.48	\$ 28.66	\$ 47.64	.12	.19	.32
1595	1595	319	\$ 19.36	\$ 31.95	\$ 53.26	.13	.21	.36
1690	1690	338	\$ 20.31	\$ 33.55	\$ 56.06	.14	.23	.38
1790	1790	358	\$ 21.24	\$ 35.22	\$ 58.85	.15	.24	.40
1895	1895	379	\$ 22.19	\$ 36.89	\$ 61.67	.15	.26	.42
2000	2000	400	\$ 23.14	\$ 38.30	\$ 64.48	.16	.27	.45



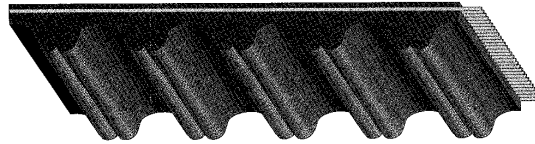
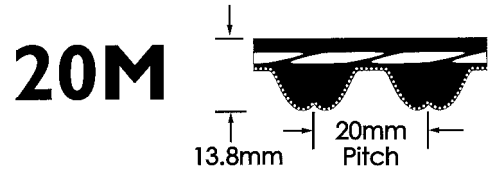
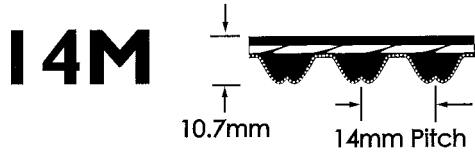
Part No: 800 8M 50
 800 800 mm Pitch Length
 8M 8 mm Pitch, Round Profile
 50 50 mm Wide

8MM PITCH HAWK PD BELTS

BELT NO	PITCH LENGTH	NUMBER OF TEETH	LIST PRICE				APPROX WT. LBS.			
			8M 20	8M 30	8M 50	8M 85	8M 20	8M 30	8M 50	8M 85
480	480	60	\$ 19.50	\$ 27.65	\$ 44.08	\$ 73.26	.14	.21	.34	.58
560	560	70	\$ 21.20	\$ 30.25	\$ 48.38	\$ 80.47	.16	.24	.39	.67
600	600	75	\$ 22.27	\$ 31.95	\$ 51.15	\$ 85.32	.17	.25	.42	.72
640	640	80	\$ 22.88	\$ 32.72	\$ 52.52	\$ 87.70	.18	.27	.45	.76
720	720	90	\$ 24.57	\$ 35.17	\$ 56.83	\$ 94.92	.20	.30	.50	.85
800	800	100	\$ 26.88	\$ 38.70	\$ 62.51	\$ 104.60	.22	.34	.56	.94
880	880	110	\$ 28.57	\$ 41.16	\$ 66.81	\$ 111.81	.24	.37	.61	1.04
960	960	120	\$ 30.25	\$ 43.61	\$ 71.11	\$ 119.03	.26	.40	.66	1.13
1040	1040	130	\$ 31.95	\$ 46.23	\$ 75.26	\$ 126.24	.29	.43	.72	1.22
1120	1120	140	\$ 33.63	\$ 48.68	\$ 79.56	\$ 133.46	.31	.47	.77	1.31
1200	1200	150	\$ 35.48	\$ 51.29	\$ 83.86	\$ 140.69	.33	.50	.83	1.40
1280	1280	160	\$ 37.16	\$ 53.75	\$ 88.15	\$ 147.90	.35	.53	.88	1.49
1440	1440	180	\$ 40.54	\$ 58.83	\$ 96.60	\$ 162.34	.39	.60	.99	1.68
1600	1600	200	\$ 44.08	\$ 63.90	\$ 105.21	\$ 176.93	.44	.66	1.10	1.86
1760	1760	220	\$ 47.75	\$ 68.95	\$ 113.65	\$ 191.21	.48	.73	1.20	2.05
1800	1800	225	\$ 48.54	\$ 70.49	\$ 116.56	\$ 196.12	.49	.74	1.23	2.09
2000	2000	250	\$ 53.15	\$ 77.26	\$ 127.94	\$ 215.32	.54	.82	1.37	2.32
2400	2400	300	\$ 62.20	\$ 90.77	\$ 150.67	\$ 253.88	.65	.99	1.64	2.78
2600	2600	325	\$ 67.27	\$ 97.68	\$ 163.87	\$ 273.99	.70	1.07	1.77	3.01
2800	2800	350	\$ 71.42	\$ 104.13	\$ 173.39	\$ 292.42	.76	1.15	1.91	3.24
3048	3048	381	\$ 77.10	\$ 112.58	\$ 186.30	\$ 316.69	.82	1.25	2.07	3.52
3280	3280	410	\$ 82.33	\$ 116.88	\$ 198.43	\$ 340.96	.89	1.35	2.23	3.79
3600	3600	450	\$ 91.08	\$ 129.47	\$ 220.09	\$ 378.43	.97	1.48	2.45	4.15
4400	4400	550	\$ 108.74	\$ 154.82	\$ 263.56	\$ 453.54	1.19	1.80	2.99	5.07



HAWK Pd™



Part No: 966 14M 85
 966 966 mm Pitch Length
 14M 8 mm Pitch, Round Profile
 85 85 mm Wide

14MM PITCH HAWK PD BELTS

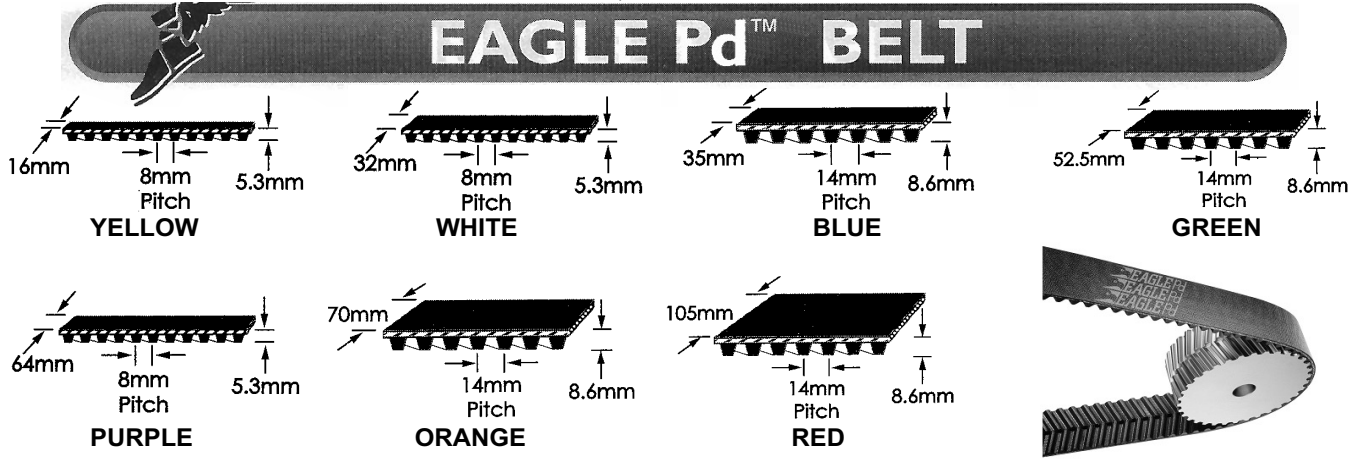
BELT NO	PITCH LENGTH	NUMBER OF TEETH	LIST PRICE					APPROX WT. LBS.				
			14M 40	14M 55	14M 85	14M 115	14M 170	14M 40	14M 55	14M 85	14M 115	14M 170
966	966	69	\$ 146.37	\$ 192.14	\$ 279.68	\$ 371.83	\$ 537.85	.96	1.31	2.02	2.74	4.05
1190	1190	85	\$ 160.96	\$ 212.25	\$ 310.40	\$ 414.07	\$ 599.28	1.17	1.61	2.47	3.35	4.95
1400	1400	100	\$ 175.09	\$ 231.91	\$ 340.64	\$ 454.91	\$ 659.64	1.37	1.88	2.89	3.92	5.79
1610	1610	115	\$ 189.52	\$ 252.65	\$ 371.67	\$ 497.00	\$ 721.24	1.56	2.15	3.31	4.49	6.63
1778	1778	127	\$ 202.27	\$ 269.24	\$ 396.41	\$ 530.79	\$ 770.38	1.72	2.37	3.65	4.94	7.30
1890	1890	135	\$ 212.41	\$ 283.20	\$ 417.75	\$ 559.65	\$ 836.45	1.83	2.52	3.87	5.25	7.75
2100	2100	150	\$ 231.45	\$ 309.47	\$ 457.84	\$ 613.87	\$ 892.02	2.03	2.79	4.29	5.82	8.59
2310	2310	165	\$ 246.50	\$ 329.60	\$ 488.40	\$ 654.88	\$ 952.06	2.22	3.06	4.71	6.39	9.43
2450	2450	175	\$ 256.64	\$ 343.10	\$ 508.67	\$ 682.22	\$ 992.15	2.36	3.24	4.99	6.77	9.99
2590	2590	185	\$ 269.08	\$ 360.46	\$ 534.63	\$ 717.24	\$ 1,043.44	2.49	3.42	5.27	7.15	10.55
2800	2800	200	\$ 287.81	\$ 386.42	\$ 573.64	\$ 769.76	\$ 1,120.55	2.69	3.70	5.69	7.71	11.39
3150	3150	225	\$ 315.92	\$ 425.12	\$ 632.92	\$ 850.25	\$ 1,239.73	3.02	4.15	6.39	8.66	12.79
3360	3360	240	\$ 330.81	\$ 446.47	\$ 664.56	\$ 893.40	\$ 1,303.00	3.22	4.42	6.81	9.23	13.63
3500	3500	250	\$ 341.12	\$ 460.45	\$ 685.75	\$ 922.74	\$ 1,344.93	3.35	4.61	7.09	9.61	14.19
3850	3850	275	\$ 375.51	\$ 511.59	\$ 759.17	\$ 1,022.56	\$ 1,487.46	3.68	5.06	7.79	10.56	15.59
4326	4326	309	\$ 417.14	\$ 563.96	\$ 843.79	\$ 1,136.52	\$ 1,659.94	4.13	5.68	8.75	11.85	17.49
4578	4578	327	\$ 440.79	\$ 598.05	\$ 890.48	\$ 1,202.56	\$ 1,723.98	4.37	6.01	9.25	12.53	18.50
4956	4956	354	\$ 477.18	\$ 647.36	\$ 953.31	\$ 1,301.78	\$ 1,866.05	4.72	6.50	10.01	13.56	20.01
5320	5320	380	\$ 512.36	\$ 695.13	\$ 1,035.00	\$ 1,397.77	\$ 2,003.81	5.07	6.97	10.73	14.54	21.47
5740	5740	410	\$ 552.74	\$ 749.95	\$ 1,116.56	\$ 1,507.89	\$ 2,161.69	5.46	7.52	11.57	15.68	23.15
6160	6160	440	\$ 592.99	\$ 804.62	\$ 1,198.11	\$ 1,618.01	\$ 2,319.42	5.86	8.06	12.41	16.82	24.83
6860	6860	490	\$ 660.57	\$ 896.16	\$ 1,334.49	\$ 1,802.15	\$ 2,583.44	6.52	8.97	13.81	18.72	27.63

20MM PITCH HAWK PD BELTS

BELT NO	PITCH LENGTH	NUMBER OF TEETH	LIST PRICE					APPROX WT. LBS.				
			20M 115	20M 170	20M 230	20M 290	20M 340	20M 115	20M 170	20M 230	20M 290	20M 340
2000	200.0	100	\$ 769.92	\$ 1,121.00	\$ 1,516.64	\$ 1,907.05	\$ 2,242.02	7.48	11.04	14.96	18.85	22.10
2500	250.0	125	\$ 905.07	\$ 1,316.21	\$ 1,780.81	\$ 2,245.24	\$ 2,632.43	9.29	13.72	18.59	23.43	27.46
3400	340.0	170	\$ 1,175.22	\$ 1,714.00	\$ 2,318.96	\$ 2,923.93	\$ 3,427.99	12.56	18.53	25.12	31.65	37.11
3800	380.0	190	\$ 1,286.27	\$ 1,933.78	\$ 2,616.30	\$ 3,298.83	\$ 3,867.55	14.01	20.68	28.02	35.31	41.40
4200	420.0	210	\$ 1,477.48	\$ 2,157.86	\$ 2,919.47	\$ 3,681.10	\$ 4,315.71	15.46	22.82	30.92	38.97	45.69
4600	460.0	230	\$ 1,592.36	\$ 2,302.53	\$ 3,115.29	\$ 3,927.91	\$ 4,605.22	16.91	24.96	33.82	42.63	49.97
5000	500.0	250	\$ 1,707.39	\$ 2,438.09	\$ 3,311.11	\$ 4,174.88	\$ 4,894.72	18.36	27.10	36.72	46.28	54.26
5200	520.0	260	\$ 1,772.35	\$ 2,540.66	\$ 3,437.37	\$ 4,334.07	\$ 5,081.23	19.09	28.17	38.17	48.11	56.40
5400	540.0	270	\$ 1,844.38	\$ 2,644.11	\$ 3,577.28	\$ 4,510.54	\$ 5,288.20	19.81	29.24	39.63	49.94	58.55
5800	580.0	290	\$ 1,980.77	\$ 2,839.61	\$ 3,841.90	\$ 4,844.04	\$ 5,679.23	21.26	31.38	42.53	53.60	62.84
6200	620.0	310	\$ 2,117.00	\$ 3,034.82	\$ 4,105.91	\$ 5,177.01	\$ 6,069.64	22.71	33.52	45.43	57.26	67.12
6600	660.0	330	\$ 2,253.69	\$ 3,230.64	\$ 4,370.84	\$ 5,511.06	\$ 6,461.28	24.17	35.66	48.33	60.91	71.41



EAGLE Pd™ BELT



BELT PART NUMBER	LIST PRICE	BELT PART NUMBER	LIST PRICE	SPROCKET PART NUMBER	LIST PRICE
Y-640	\$ 31.26	G-2660	\$ 672.77	Y-36S-SH	\$ 88.38
Y-720	\$ 33.97	G-2800	\$ 707.10	Y-36S-MPB	\$ 102.14
Y-800	\$ 38.64	O-1120	\$ 476.22	Y-38S-SH	\$ 92.14
Y-896	\$ 41.35	O-1190	\$ 500.21	Y-38S-MPB	\$ 102.14
Y-1000	\$ 45.05	O-1260	\$ 521.47	Y-40S-SH	\$ 96.96
Y-1120	\$ 47.77	O-1400	\$ 545.44	Y-40S-MPB	\$ 111.50
Y-1200	\$ 51.44	O-1568	\$ 566.69	Y-44S-MPB	\$ 127.75
Y-1280	\$ 54.16	O-1750	\$ 606.63	Y-45S-SDS	\$ 113.60
Y-1440	\$ 57.87	O-1960	\$ 635.88	Y-45S-MPB	\$ 130.65
Y-1600	\$ 61.53	O-2100	\$ 697.05	Y-48S-SDS	\$ 129.89
Y-1792	\$ 67.93	O-2240	\$ 742.29	Y-48S-MPB	\$ 149.38
Y-2000	\$ 75.32	O-2380	\$ 771.55	Y-50S-SDS	\$ 138.04
Y-2240	\$ 89.11	O-2520	\$ 811.50	Y-50S-MPB	\$ 158.73
Y-2400	\$ 92.81	O-2660	\$ 867.36	Y-52S-MPB	\$ 161.49
W-640	\$ 62.04	O-2800	\$ 912.59	Y-56S-SDS	\$ 143.21
W-720	\$ 66.63	R-1260	\$ 756.25	Y-56S-MPB	\$ 164.70
W-800	\$ 71.22	R-1400	\$ 790.40	Y-60S-SDS	\$ 177.63
W-896	\$ 78.12	R-1568	\$ 823.82	Y-60S-MPB	\$ 204.28
W-1000	\$ 87.30	R-1750	\$ 880.58	Y-63S-SDS	\$ 179.48
W-1120	\$ 91.89	R-1960	\$ 926.65	Y-63S-MPB	\$ 206.41
W-1200	\$ 96.50	R-2100	\$ 1,015.80	Y-64S-MPB	\$ 207.21
W-1280	\$ 101.08	R-2240	\$ 1,082.03	Y-68S-MPB	\$ 208.18
W-1440	\$ 110.28	R-2380	\$ 1,126.98	Y-72S-MPB	\$ 209.15
W-1600	\$ 121.75	R-2520	\$ 1,185.03	Y-75S-SDS	\$ 182.21
W-1792	\$ 133.23	R-2660	\$ 1,269.31	Y-75S-MPB	\$ 210.24
W-2000	\$ 147.03	R-2800	\$ 1,335.69	Y-76S-MPB	\$ 213.86
W-2240	\$ 170.00			Y-80S-SDS	\$ 195.77
W-2400	\$ 176.89			Y-80S-MPB	\$ 225.11
B-994	\$ 226.16			Y-90S-SK	\$ 199.64
B-1120	\$ 248.78			Y-90S-MPB	\$ 230.66
B-1190	\$ 262.31			Y-112S-SK	\$ 251.64
B-1260	\$ 271.39			Y-112S-MPB	\$ 289.38
B-1400	\$ 277.40			Y-140S-SK	\$ 314.17
B-1568	\$ 293.99			Y-180S-SF	\$ 424.22
B-1750	\$ 312.06			Y-180S-MPB	\$ 463.45
B-1960	\$ 330.17			Y-224S-E	\$ 526.26
B-2100	\$ 357.30			W-18S-MPB	\$ 104.80
B-2240	\$ 379.92			W-18S-7/8	\$ 136.17
B-2380	\$ 398.02			W-20S-MPB	\$ 104.80
B-2520	\$ 416.10			W-20S-7/8, 1-1/8	\$ 136.17
B-2660	\$ 443.25			W-22S-MPB	\$ 104.80
B-2800	\$ 465.86			W-22S-7/8, 1-1/8	\$ 136.17
G-994	\$ 340.47			W-24S-MPB	\$ 109.67
G-1120	\$ 377.61			W-22S-7/8, 1-1/8, 1-3/8	\$ 141.06
G-1190	\$ 392.44			W-25S-MPB	\$ 109.67
G-1260	\$ 410.94			W-25S-7/8, 1-1/8, 1-3/8	\$ 141.06
G-1400	\$ 425.75			W-26S-MPB	\$ 120.35
G-1568	\$ 444.26			W-26S-7/8, 1-1/8, 1-3/8, 1-5/8	\$ 151.71
G-1750	\$ 473.87			W-28S-H	\$ 120.34
G-1960	\$ 496.11			W-28S-MPB	\$ 138.40
G-2100	\$ 540.48			W-30S-H	\$ 126.11
G-2240	\$ 577.57			W-30S-MPB	\$ 141.21
G-2380	\$ 599.77			W-32S-H	\$ 126.11
G-2520	\$ 629.38			W-32S-MPB	\$ 145.04
		SPROCKET PART NUMBER	LIST PRICE		
		Y-18S-MPB	\$ 88.83		
		Y-18S-7/8	\$ 120.19		
		Y-20S-MPB	\$ 88.83		
		Y-20S-7/8, 1-1/8	\$ 120.19		
		Y-22S-MPB	\$ 88.83		
		Y-22S-7/8, 1-1/8	\$ 126.20		
		Y-24S-MPB	\$ 81.42		
		Y-24S-7/8, 1-1/8, 1-3/8	\$ 112.71		
		Y-25S-MPB	\$ 81.42		
		Y-25S-7/8, 1-1/8, 1-3/8	\$ 112.71		
		Y-26S-MPB	\$ 84.75		
		Y-26S-7/8, 1-1/8, 1-3/8, 1-5/8	\$ 116.12		
		Y-28S-H	\$ 84.75		
		Y-28S-MPB	\$ 97.46		
		Y-30S-H	\$ 86.59		
		Y-30S-MPB	\$ 99.58		
		Y-32S-H	\$ 88.83		
		Y-32S-MPB	\$ 103.42		
		Y-34S-H	\$ 85.48		
		Y-34S-MPB	\$ 98.30		



EAGLE Pd™ BELT

SPROCKET PART NUMBER	LIST PRICE	SPROCKET PART NUMBER	LIST PRICE	SPROCKET PART NUMBER	LIST PRICE
W-34S-SH	\$ 123.45	B-71S-F	\$ 468.24	O-45S-MPB	\$ 381.60
W-34S-MPB	\$ 141.96	B-71S-MPB	\$ 538.48	O-48S-E	\$ 339.66
W-36S-SH	\$ 126.78	B-75S-F	\$ 477.37	O-48S-MPB	\$ 390.61
W-36S-MPB	\$ 145.80	B-75S-MPB	\$ 546.37	O-50S-F	\$ 394.77
W-38S-SH	\$ 127.68	B-80S-F	\$ 489.76	O-50S-MPB	\$ 453.99
W-38S-MPB	\$ 146.82	B-80S-MPB	\$ 560.56	O-56S-F	\$ 440.11
W-40S-SH	\$ 134.33	B-90S-F	\$ 502.37	O-56S-MPB	\$ 503.72
W-40S-MPB	\$ 154.48	B-112S-F	\$ 630.51	O-60S-J	\$ 518.58
W-44S-MPB	\$ 161.55	B-112S-MPB	\$ 721.64	O-60S-MPB	\$ 593.80
W-45S-SDS	\$ 143.65	B-140S-J	\$ 826.57	O-63S-J	\$ 560.96
W-45S-MPB	\$ 165.22	B-168S-J	\$ 1,070.89	O-63S-MPB	\$ 612.86
W-48S-SDS	\$ 153.88	B-168S-MPB	\$ 1,225.67	O-71S-J	\$ 623.98
W-48S-MPB	\$ 165.22	G-28S-MPB	\$ 198.18	O-71S-MPB	\$ 652.14
W-50S-SDS	\$ 166.30	G-28S- 1-7/8, 2-1/8, 2-3/8	\$ 229.54	O-75S-J	\$ 681.99
W-50S-MPB	\$ 191.25	G-30S-MPB	\$ 214.83	O-75S-MPB	\$ 712.68
W-56S-SK	\$ 176.97	G-30S- 1-7/8, 2-1/8, 2-3/8	\$ 246.20	O-80S-J	\$ 744.30
W-52S-MPB	\$ 192.62	G-32S-MPB	\$ 236.47	O-80S-MPB	\$ 777.79
W-56S-MPB	\$ 203.51	G-32S- 1-7/8, 2-1/8, 2-3/8	\$ 267.85	O-90S-J	\$ 761.83
W-60S-SK	\$ 204.73	G-34S-MPB	\$ 263.12	O-90S-MPB	\$ 796.12
W-60S-MPB	\$ 235.43	G-34S- 1-7/8, 2-1/8, 2-3/8	\$ 294.48	O-112S-M	\$ 899.59
W-63S-SK	\$ 212.05	G-36S-SF	\$ 258.12	O-112S-MPB	\$ 940.07
W-63S-MPB	\$ 246.86	G-36S-MPB	\$ 296.84	O-140S-M	\$ 1,156.85
W-64S-MPB	\$ 247.09	G-38S-SF	\$ 276.43	O-140S-MPB	\$ 1,208.91
W-68S-MPB	\$ 250.98	G-38S-MPB	\$ 317.88	O-168S-M	\$ 1,630.33
W-75S-SF	\$ 222.71	G-40S-SF	\$ 286.43	O-168S-MPB	\$ 1,703.69
W-72S-MPB	\$ 254.87	G-40S-MPB	\$ 329.40	R-28S-MPB	\$ 341.40
W-75S-MPB	\$ 256.11	G-43S-E	\$ 294.77	R-28S- 1-7/8, 2-1/8, 2-3/8, 2-7/8	\$ 372.78
W-76S-MPB	\$ 261.50	G-43S-MPB	\$ 338.97	R-30S-MPB	\$ 372.37
W-80S-SF	\$ 229.06	G-45S-E	\$ 301.42	R-30S- 1-7/8, 2-1/8, 2-3/8, 2-7/8	\$ 403.75
W-80S-MPB	\$ 275.27	G-45S-MPB	\$ 346.63	R-32S-MPB	\$ 392.54
W-90S-SF	\$ 265.80	G-48S-E	\$ 309.74	R-32S- 1-7/8, 2-1/8, 2-3/8, 2-7/8	\$ 423.92
W-90S-MPB	\$ 319.43	G-48S-MPB	\$ 356.20	R-34S-MPB	\$ 398.21
W-112S-SF	\$ 349.05	G-50S-E	\$ 344.70	R-34S- 1-7/8, 2-1/8, 2-3/8, 2-7/8	\$ 429.59
W-112S-MPB	\$ 401.40	G-50S-MPB	\$ 396.42	R-36S-MPB	\$ 407.22
W-140S-E	\$ 531.33	G-56S-E	\$ 369.68	R-36S- 1-7/8, 2-1/8, 2-3/8, 2-7/8	\$ 438.59
W-140S-MPB	\$ 611.03	G-56S-MPB	\$ 425.14	R-38S-MPB	\$ 428.99
W-180S-E	\$ 623.33	G-60S-E	\$ 454.62	R-38S- 1-7/8, 2-1/8, 2-3/8, 2-7/8	\$ 460.37
W-180S-MPB	\$ 681.00	G-60S-MPB	\$ 522.81	R-40S-MPB	\$ 442.33
W-224S-F	\$ 690.19	G-63S-F	\$ 493.69	R-40S- 1-7/8, 2-1/8, 2-3/8, 2-7/8	\$ 473.69
B-28S-SK	\$ 146.36	G-71S-J	\$ 546.91	R-43S-MPB	\$ 461.25
B-28S-MPB	\$ 168.31	G-71S-MPB	\$ 597.50	R-43S- 1-7/8, 2-1/8, 2-3/8, 2-7/8	\$ 492.63
B-30S-SK	\$ 159.28	G-75S-J	\$ 576.72	R-45S-F	\$ 485.22
B-30S-MPB	\$ 183.17	G-75S-MPB	\$ 630.07	R-45S-MPB	\$ 558.00
B-32S-SK	\$ 175.53	G-80S-J	\$ 611.78	R-48S-F	\$ 513.48
B-32S-MPB	\$ 201.87	G-80S-MPB	\$ 668.36	R-48S-MPB	\$ 590.52
B-34S-SK	\$ 214.12	G-90S-J	\$ 627.53	R-50S-J	\$ 542.35
B-34S-MPB	\$ 246.25	G-90S-MPB	\$ 685.59	R-50S-MPB	\$ 623.71
B-36S-SF	\$ 195.14	G-112S-J	\$ 762.51	R-56S-J	\$ 587.32
B-36S-MPB	\$ 224.40	G-140S-M	\$ 988.64	R-56S-MPB	\$ 672.20
B-38S-SF	\$ 223.93	G-168S-M	\$ 1,344.49	R-60S-J	\$ 633.56
B-38S-MPB	\$ 257.53	O-28S-MPB	\$ 242.27	R-60S-MPB	\$ 725.15
B-40S-SF	\$ 230.60	O-28S- 1/7/8, 2-1/8, 2-3/8	\$ 282.95	R-63S-J	\$ 684.09
B-40S-MPB	\$ 265.18	O-30S-MPB	\$ 272.15	R-63S-MPB	\$ 747.36
B-43S-SF	\$ 266.45	O-30S- 1/7/8, 2-1/8, 2-3/8	\$ 303.53	R-71S-M	\$ 768.02
B-43S-MPB	\$ 306.43	O-32S-MPB	\$ 298.46	R-71S-MPB	\$ 802.59
B-45S-SF	\$ 273.10	O-32S- 1/7/8, 2-1/8, 2-3/8, 2-7/8	\$ 329.84	R-75S-M	\$ 814.77
B-45S-MPB	\$ 314.07	O-34S-MPB	\$ 308.21	R-75S-MPB	\$ 851.45
B-48S-SF	\$ 283.10	O-34S- 1/7/8, 2-1/8, 2-3/8, 2-7/8	\$ 339.59	R-80S-M	\$ 877.07
B-48S-MPB	\$ 325.56	O-36S-MPB	\$ 321.31	R-80S-MPB	\$ 916.54
B-50S-E	\$ 296.02	O-36S- 1/7/8, 2-1/8, 2-3/8, 2-7/8	\$ 352.68	R-90S-M	\$ 881.12
B-50S-MPB	\$ 340.43	O-38S-MPB	\$ 328.76	R-90S-MPB	\$ 920.77
B-56S-E	\$ 302.30	O-38S- 1/7/8, 2-1/8, 2-3/8, 2-7/8	\$ 360.12	R-112S-M	\$ 1,120.14
B-56S-MPB	\$ 347.63	O-40S-MPB	\$ 342.11	R-112S-MPB	\$ 1,170.55
B-60S-E	\$ 390.27	O-40S- 1/7/8, 2-1/8, 2-3/8, 2-7/8	\$ 373.49	R-140S-N	\$ 1,453.94
B-60S-MPB	\$ 448.81	O-43S-E	\$ 324.24	R-140S-MPB	\$ 1,519.36
B-63S-F	\$ 445.71	O-43S-MPB	\$ 372.88	R-168S-N	\$ 1,906.94
B-63S-MPB	\$ 512.66	O-45S-E	\$ 331.83	R-168S-MPB	\$ 1,992.75



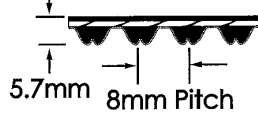
FALCON Pd™ BELT



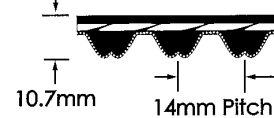
FALCON Pd Key Features and Benefits

- Drop in For Gates Poly Chain™ GT™ 2
- Equal Tensile Strength vs Poly Chain™ GT™ 2
- Static Dissipation for Added Safety
- Backside Idler Compatibility
- Better Flex Fatigue for Longer Life

8M



14M



Cross Reference Info

Gates Poly Chain GT 2:
14MGT-1260-20

Goodyear Falcon PD:
14GTR-1260-20

Part Number Explanation:

14GTR 14mm Pitch
1260 1260mm Pitch length
20 20mm Wide

8MM PITCH FALCON PD BELTS

BELT NO	PITCH LENGTH	NUMBER OF TEETH	LIST PRICE BY WIDTH (MM)				APPROX WT. LBS.			
			12	21	36	62	12	21	36	62
8GTR-640	640	80	\$ 19.74	\$ 35.09	\$ 59.21	\$ 98.68	0.08	0.14	0.25	0.42
8GTR-720	720	90	\$ 21.93	\$ 37.28	\$ 63.60	\$105.26	0.09	0.16	0.28	0.48
8GTR-800	800	100	\$ 24.12	\$ 43.85	\$ 67.98	\$116.22	0.10	0.18	0.31	0.53
8GTR-896	896	112	\$ 26.32	\$ 46.05	\$ 74.55	\$122.80	0.11	0.20	0.34	0.59
8GTR-1000	1000	125	\$ 28.51	\$ 50.44	\$ 83.33	\$140.34	0.13	0.22	0.38	0.66
8GTR-1120	1120	140	\$ 30.72	\$ 52.63	\$ 87.71	\$146.93	0.14	0.25	0.43	0.74
8GTR-1200	1200	150	\$ 31.46	\$ 54.54	\$ 88.10	\$148.92	0.15	0.27	0.46	0.8
8GTR-1280	1260	160	\$ 33.57	\$ 56.63	\$ 92.30	\$157.31	0.16	0.29	0.49	0.85
8GTR-1440	1440	180	\$ 35.32	\$ 60.26	\$ 99.74	\$170.37	0.18	0.32	0.55	0.95
8GTR-1600	1600	200	\$ 37.40	\$ 64.41	\$ 110.12	\$184.92	0.20	0.36	0.61	1.06
8GTR-1792	1792	224	\$ 41.55	\$ 70.64	\$ 120.49	\$205.69	0.23	0.40	0.69	1.19
8GTR-2000	2000	250	\$ 45.72	\$ 78.95	\$ 132.98	\$226.46	0.26	0.45	0.77	1.33
8GTR-2240	2240	280	\$ 54.02	\$ 93.49	\$ 153.75	\$265.95	0.29	0.50	0.86	1.48
8GTR-2400	2400	300	\$ 56.09	\$ 97.66	\$ 159.98	\$278.41	0.31	0.54	0.92	1.59
8GTR-2520	2520	315	\$ 57.62	\$ 98.78	\$ 164.62	\$286.05	0.32	0.56	0.97	1.67
8GTR-2840	2840	355	\$ 59.68	\$ 104.96	\$ 174.92	\$302.51	0.36	0.63	1.09	1.88
8GTR-3200	3200	400	\$ 70.04	\$ 121.41	\$ 197.56	\$345.71	0.41	0.71	1.23	2.12
8GTR-3600	3600	450	\$ 76.15	\$ 133.77	\$ 218.14	\$384.84	0.46	0.80	1.38	2.39
8GTR-4000	4000	500	\$ 84.38	\$ 146.11	\$ 238.72	\$417.76	0.51	0.89	1.54	2.65
8GTR-4480	4480	560	\$ 92.60	\$ 160.51	\$ 261.35	\$458.90	0.57	1.00	1.72	2.97

14MM PITCH FALCON PD BELTS

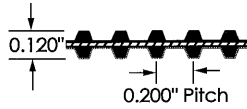
BELT NO	PITCH LENGTH	NUMBER OF TEETH	LIST PRICE BY WIDTH (MM)					APPROX WT. LBS.				
			20	37	68	90	125	20	37	68	90	125
14GTR-994	994	71	\$ 100.09	\$ 184.16	\$ 324.29	\$ 412.37	\$ 552.49	0.35	0.64	1.18	1.56	2.17
14GTR-1120	1120	80	\$ 110.11	\$ 204.17	\$ 358.30	\$ 458.25	\$ 616.53	0.39	0.72	1.33	1.76	2.45
14GTR-1190	1190	85	\$ 116.09	\$ 212.19	\$ 376.34	\$ 480.64	\$ 646.56	0.42	0.77	1.41	1.87	2.60
14GTR-1260	1260	90	\$ 120.11	\$ 222.20	\$ 392.34	\$ 502.05	\$ 676.61	0.44	0.82	1.49	1.98	2.75
14GTR-1400	1400	100	\$ 124.12	\$ 230.21	\$ 410.37	\$ 524.71	\$ 706.64	0.49	0.90	1.66	2.20	3.06
14GTR-1568	1568	112	\$ 130.12	\$ 240.21	\$ 425.88	\$ 546.90	\$ 738.65	0.55	1.01	1.86	2.46	3.43
14GTR-1750	1750	125	\$ 138.10	\$ 256.22	\$ 456.41	\$ 584.59	\$ 788.69	0.61	1.13	2.08	2.75	3.82
14GTR-1890	1890	135	\$ 143.84	\$ 265.13	\$ 469.36	\$ 608.44	\$ 816.13	0.66	1.22	2.24	2.97	4.13
14GTR-1960	1960	140	\$ 146.12	\$ 268.24	\$ 478.43	\$ 615.16	\$ 832.73	0.69	1.27	2.33	3.08	4.28
14GTR-2100	2100	150	\$ 158.14	\$ 292.24	\$ 524.45	\$ 674.34	\$ 912.80	0.74	1.36	2.50	3.30	4.59
14GTR-2240	2240	160	\$ 168.14	\$ 312.28	\$ 558.48	\$ 718.32	\$ 974.86	0.79	1.45	2.66	3.52	4.89
14GTR-2380	2380	170	\$ 176.15	\$ 324.29	\$ 580.50	\$ 748.16	\$ 1,014.90	0.84	1.54	2.83	3.74	5.20
14GTR-2520	2520	180	\$ 184.16	\$ 340.30	\$ 610.54	\$ 786.70	\$ 1,066.95	0.88	1.63	2.99	3.96	5.51
14GTR-2660	2660	190	\$ 196.17	\$ 363.76	\$ 652.59	\$ 842.65	\$ 1,145.01	0.93	1.72	3.16	4.18	5.81
14GTR-2800	2800	200	\$ 206.18	\$ 382.33	\$ 686.61	\$ 886.72	\$ 1,205.04	0.98	1.81	3.33	4.40	6.12
14GTR-3136	3136	224	\$ 216.17	\$ 400.36	\$ 718.65	\$ 929.57	\$ 1,265.12	1.10	2.03	3.72	4.93	6.85
14GTR-3304	3304	236	\$ 234.21	\$ 432.39	\$ 778.68	\$ 1,008.14	\$ 1,373.21	1.16	2.14	3.92	5.19	7.22
14GTR-3500	3500	250	\$ 246.21	\$ 452.40	\$ 822.71	\$ 1,063.76	\$ 1,447.25	1.23	2.26	4.16	5.50	7.65
14GTR-3920	3920	280	\$ 256.22	\$ 474.42	\$ 864.76	\$ 1,118.17	\$ 1,521.35	1.38	2.53	4.66	6.16	8.57
14GTR-4410	4410	315	\$ 286.26	\$ 528.47	\$ 952.84	\$ 1,237.15	\$ 1,689.48	1.55	2.85	5.24	6.93	9.64

* Poly Chain and GT are registered trademarks of the Gates Corporation

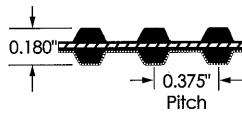


DUAL HI-PERFORMANCE Pd™ & DUAL POSITIVE DRIVE

XL
(EXTRA LIGHT)



L
(LIGHT)



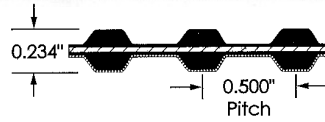
1/5" PITCH EXTRA LIGHT (XL) DUAL POSITIVE DRIVE BELTS						
BELT NO	PITCH LENGTH	NUMBER OF TEETH	LIST PRICE		APPROX WT. LBS.	
			025	037	025	037
D60XL	6.0	30	\$ 7.04	\$ 9.23	.01	.01
D70XL	7.0	35	\$ 7.21	\$ 9.63	.01	.01
D80XL	8.0	40	\$ 7.41	\$ 9.91	.01	.02
D90XL	9.0	45	\$ 7.62	\$ 10.34	.01	.02
D100XL	10.0	50	\$ 7.89	\$ 10.50	.01	.02
D110XL	11.0	55	\$ 8.08	\$ 10.88	.02	.03
D120XL	12.0	60	\$ 8.29	\$ 11.07	.02	.03
D130XL	13.0	65	\$ 8.48	\$ 11.45	.02	.03
D140XL	14.0	70	\$ 8.77	\$ 11.76	.02	.03
D150XL	15.0	75	\$ 8.95	\$ 12.03	.02	.03
D160XL	16.0	80	\$ 9.14	\$ 12.42	.02	.04
D170XL	17.0	85	\$ 9.35	\$ 12.62	.03	.04
D180XL	18.0	90	\$ 9.53	\$ 13.01	.03	.04
D190XL	19.0	95	\$ 9.82	\$ 13.29	.03	.04
D200XL	20.0	100	\$ 10.02	\$ 13.57	.03	.05
D210XL	21.0	105	\$ 10.20	\$ 13.85	.03	.05
D220XL	22.0	110	\$ 10.39	\$ 14.25	.03	.05
D230XL	23.0	115	\$ 13.75	\$ 14.44	.03	.05
D240XL	24.0	120	\$ 10.88	\$ 14.84	.04	.05
D250XL	25.0	125	\$ 14.24	\$ 15.12	.04	.06
D260XL	26.0	130	\$ 11.26	\$ 15.41	.04	.06
D280XL	28.0	140	\$ 11.76	\$ 16.08	.04	.06
D290XL	29.0	145	\$ 11.85	\$ 16.37	.04	.07
D300XL	30.0	150	\$ 12.13	\$ 16.66	.04	.07
D310XL	31.0	155	\$ 12.31	\$ 16.93	.05	.07
D330XL	33.0	165	\$ 12.71	\$ 17.61	.05	.07
D362XL	36.2	181	\$ 13.47	\$ 18.58	.05	.08
D392XL	39.2	196	\$ 14.05	\$ 19.43	.06	.09
D450XL	45.0	225	\$ 15.30	\$ 21.26	.07	.10
D492XL	49.2	246	\$ 16.08	\$ 22.52	.07	.11

3/8" PITCH LIGHT (L) DUAL POSITIVE DRIVE BELTS								
BELT NO	PITCH LENGTH	NUMBER OF TEETH	LIST PRICE			APPROX WT. LBS.		
			050	075	100	050	075	100
D124L	12.4	33	\$ 18.49	\$ 26.29	\$ 33.68	.05	.07	.10
D150L	15.0	40	\$ 20.40	\$ 29.15	\$ 37.53	.06	.09	.12
D187L	18.7	50	\$ 22.24	\$ 32.05	\$ 41.50	.08	.11	.15
D210L	21.0	56	\$ 24.16	\$ 34.95	\$ 45.34	.08	.13	.17
D225L	22.5	60	\$ 24.84	\$ 35.91	\$ 46.66	.09	.14	.18
D240L	24.0	64	\$ 26.09	\$ 37.85	\$ 49.30	.10	.14	.19
D255L	25.5	68	\$ 26.70	\$ 38.78	\$ 50.58	.10	.15	.20
D270L	27.0	72	\$ 27.91	\$ 40.73	\$ 53.14	.11	.16	.21
D285L	28.5	76	\$ 28.60	\$ 41.77	\$ 54.42	.11	.17	.23
D300L	30.0	80	\$ 29.85	\$ 43.59	\$ 57.09	.12	.18	.24
D322L	32.2	86	\$ 31.11	\$ 45.62	\$ 54.27	.13	.19	.25
D345L	34.5	92	\$ 32.36	\$ 47.56	\$ 62.24	.14	.20	.27
D367L	36.7	98	\$ 33.52	\$ 49.48	\$ 64.84	.14	.22	.29
D390L	39.0	104	\$ 35.43	\$ 52.38	\$ 68.70	.15	.23	.31
D420L	42.0	112	\$ 37.26	\$ 55.26	\$ 72.64	.16	.25	.33
D450L	45.0	120	\$ 39.19	\$ 58.24	\$ 76.49	.18	.26	.35
D480L	48.0	128	\$ 41.09	\$ 61.14	\$ 80.44	.19	.28	.38
D510L	51.0	136	\$ 42.35	\$ 63.07	\$ 83.08	.20	.30	.40
D540L	54.0	144	\$ 44.87	\$ 66.91	\$ 88.25	.21	.32	.42
D600L	60.0	160	\$ 48.62	\$ 72.78	\$ 96.05	.24	.36	.48
D660L	66.0	176	\$ 52.43	\$ 78.67	\$ 103.98	.27	.40	.53



DUAL HI-PERFORMANCE Pd™ & DUAL POSITIVE DRIVE

H
(HEAVY)

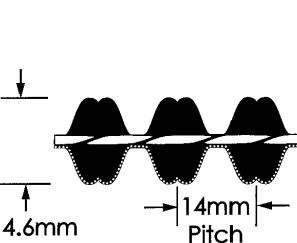
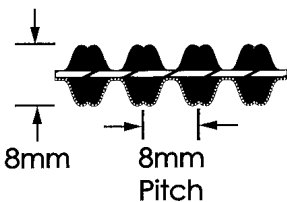


1/2" PITCH HEAVY (H) DUAL POSITIVE DRIVE BELTS

BELT NO	PITCH LENGTH	NUMBER OF TEETH	LIST PRICE					APPROX WT. LBS.				
			075	100	150	200	300	075	100	150	200	300
D240H	24.0	48	\$ 39.19	\$ 50.54	\$ 73.05	\$ 95.69	\$ 140.84	.19	.26	.39	.47	.77
D270H	27.0	54	\$ 42.16	\$ 54.51	\$ 79.14	\$ 103.58	\$ 152.78	.22	.29	.39	.53	.86
D300H	30.0	60	\$ 45.15	\$ 58.52	\$ 85.09	\$ 111.58	\$ 164.73	.22	.32	.48	.64	.96
D330H	33.0	66	\$ 48.23	\$ 62.48	\$ 91.07	\$ 119.57	\$ 176.67	.26	.35	.52	.70	1.05
D360H	36.0	72	\$ 51.22	\$ 66.54	\$ 97.03	\$ 127.55	\$ 188.59	.27	.38	.57	.76	1.14
D390H	39.0	78	\$ 54.19	\$ 70.46	\$ 103.01	\$ 135.45	\$ 200.52	.29	.41	.62	.82	1.23
D420H	42.0	84	\$ 57.19	\$ 74.52	\$ 108.98	\$ 143.45	\$ 212.46	.33	.44	.66	.88	1.32
D450H	45.0	90	\$ 60.26	\$ 78.45	\$ 114.95	\$ 151.44	\$ 224.31	.35	.47	.71	.94	1.42
D480H	48.0	96	\$ 63.24	\$ 82.50	\$ 120.92	\$ 159.33	\$ 236.25	.38	.50	.75	1.01	1.51
D510H	51.0	102	\$ 65.26	\$ 85.21	\$ 124.97	\$ 164.73	\$ 244.25	.40	.53	.80	1.07	1.60
D540H	54.0	108	\$ 69.22	\$ 90.48	\$ 132.95	\$ 175.31	\$ 260.12	.42	.56	.85	1.13	1.69
D560H	56.0	112	\$ 71.24	\$ 93.19				.43	.56			
D570H	57.0	114	\$ 71.24	\$ 93.19	\$ 136.91	\$ 180.60	\$ 268.12	.45	.59	.89	1.19	1.78
D600H	60.0	120	\$ 75.29	\$ 98.50	\$ 144.89	\$ 191.20	\$ 284.00	.47	.63	.94	1.25	1.88
D630H	63.0	126	\$ 77.30	\$ 101.18	\$ 148.82	\$ 196.50	\$ 291.98	.47	.66	.98	1.31	1.97
D660H	66.0	132	\$ 81.25	\$ 106.48	\$ 156.83	\$ 207.16	\$ 307.89	.52	.69	1.03	1.37	2.06
D700H	70.0	140	\$ 85.30	\$ 111.77	\$ 164.82	\$ 217.76	\$ 323.76	.55	.73	1.09	1.46	2.18
D750H	75.0	150	\$ 89.33	\$ 117.17	\$ 172.80	\$ 228.36	\$ 339.64	.58	.78	1.17	1.56	2.34
D800H	80.0	160	\$ 95.30	\$ 125.16	\$ 180.78	\$ 244.33	\$ 363.52	.62	.83	1.24	1.66	2.49
D850H	85.0	170	\$ 99.34	\$ 130.45	\$ 192.72	\$ 254.93	\$ 379.42	.66	.88	1.32	1.76	2.64
D900H	90.0	180	\$ 105.32	\$ 138.44	\$ 204.67	\$ 270.80	\$ 403.28	.70	.93	1.40	1.86	2.80
D1000H	100.0	200	\$ 115.44	\$ 151.72	\$ 224.59	\$ 297.38	\$ 443.03	.78	1.03	1.55	2.07	3.10
D1100H	110.0	220	\$ 125.43	\$ 165.00	\$ 244.51	\$ 323.95	\$ 482.78	.85	1.14	1.70	2.27	3.41
D1250H	125.0	250	\$ 139.68	\$ 185.04	\$ 274.47	\$ 363.70	\$ 542.50	.97	1.29	1.93	2.58	3.87
D1400H	140.0	280	\$ 155.59	\$ 204.97	\$ 304.32	\$ 403.58	\$ 602.08	1.08	1.44	2.16	2.89	4.33
D1700H	170.0	340	\$ 185.71	\$ 244.92	\$ 364.10	\$ 483.19	\$ 721.37	1.32	1.75	2.62	3.50	5.25

8MM PITCH DUAL HPPD BELTS

BELT NO	PITCH LENGTH	NUMBER OF TEETH	LIST PRICE	APPROX WHT. LBS	BELT NO	PITCH LENGTH	NUMBER OF TEETH	LIST PRICE	APPROX WHT. LBS
D720 8M 20	720	90	\$ 60.60	0.34	D1760 8M 50	1760	220	\$ 280.33	2.01
D800 8M 20	800	100	\$ 66.31	0.37	D1800 8M 20	1800	225	\$ 119.76	0.82
D800 8M 30	800	100	\$ 95.47	0.57	D1800 8M 30	1800	225	\$ 173.88	1.24
D880 8M 30	880	110	\$ 101.53	0.62	D2000 8M 30	2000	250	\$ 190.57	1.38
D960 8M 30	960	120	\$ 107.55	0.68	D2400 8M 20	2400	300	\$ 153.42	1.08
D1040 8M 20	1040	130	\$ 78.83	0.48	D2400 8M 30	2400	300	\$ 223.89	1.65
D1120 8M 20	1120	140	\$ 82.96	0.52	D2400 8M 50	2400	300	\$ 371.62	2.73
D1120 8M 30	1120	140	\$ 120.06	0.78	D2600 8M 30	2600	325	\$ 240.93	1.76
D1200 8M 30	1200	150	\$ 126.72	0.84	D2800 8M 20	2800	350	\$ 176.16	1.26
D1280 8M 30	1280	160	\$ 132.57	0.89	D2800 8M 30	2800	350	\$ 256.86	1.92
D1440 8M 20	1440	180	\$ 100.00	0.62	D3048 8M 50	3048	381	\$ 459.50	3.45
D1440 8M 30	1440	180	\$ 145.11	1.00	D3280 8M 50	3280	410	\$ 494.87	3.71
D1440 8M 50	1440	180	\$ 238.29	1.66	D3600 8M 30	3600	450	\$ 319.36	2.46
D1600 8M 20	1600	200	\$ 108.73	0.73	D3600 8M 50	3600	450	\$ 542.36	4.07
D1600 8M 30	1600	200	\$ 157.60	1.05	D3600 8M 85	3600	450	\$ 933.39	6.91
D1600 8M 50	1600	200	\$ 259.51	1.84	D4400 8M 85	4400	550	\$ 1,118.65	8.43
D1760 8M 30	1760	220	\$ 170.07	1.22					



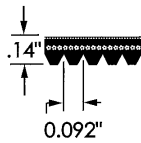
14MM PITCH DUAL HPPD BELTS

BELT NO	PITCH LENGTH	NUMBER OF TEETH	LIST PRICE	APPROX WHT. LBS	BELT NO	PITCH LENGTH	NUMBER OF TEETH	LIST PRICE	APPROX WHT. LBS
D1400 14M 55	1400	100	\$ 571.99	3.19	D3150 14M 40	3150	225	\$ 779.21	5.07
D1610 14M 40	1610	115	\$ 467.46	2.65	D3500 14M 85	3500	250	\$ 1,696.32	11.90
D1778 14M 40	1778	127	\$ 498.90	2.91	D3850 14M 55	3850	275	\$ 1,261.82	8.49
D1778 14M 55	1778	127	\$ 664.07	4.01	D3850 14M 85	3850	275	\$ 1,872.47	13.07
D1890 14M 40	1890	135	\$ 523.93	3.09	D4326 14M 55	4326	309	\$ 1,391.01	9.52
D1890 14M 85	1890	135	\$ 1,030.37	6.54	D4578 14M 55	4578	327	\$ 1,475.05	10.06
D2100 14M115	2100	150	\$ 1,515.25	9.81	D6160 14M 85	6160	440	\$ 2,955.12	20.76
D2450 14M 40	2450	175	\$ 632.98	3.97					

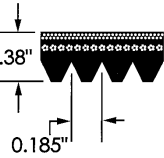


POLY-V®

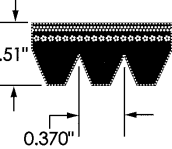
J SECTION



L SECTION



M SECTION



"J" SECTION POLY-V

SIZE	LIST/RIB	4 RIB	6 RIB	10 RIB	16 RIB	20 RIB	LB/RIB	MAX RIB
180J	\$ 1.56	\$ 6.24	\$ 9.36	\$ 15.60	\$ 24.96	\$ 31.20	0.01	68
190J	\$ 1.56	\$ 6.24	\$ 9.36	\$ 15.60	\$ 24.96	\$ 31.20	0.01	68
200J	\$ 1.56	\$ 6.24	\$ 9.36	\$ 15.60	\$ 24.96	\$ 31.20	0.01	68
220J	\$ 1.56	\$ 6.24	\$ 9.36	\$ 15.60	\$ 24.96	\$ 31.20	0.01	68
240J	\$ 1.56	\$ 6.24	\$ 9.36	\$ 15.60	\$ 24.96	\$ 31.20	0.01	68
260J	\$ 1.60	\$ 6.40	\$ 9.60	\$ 16.00	\$ 25.60	\$ 32.00	0.02	68
280J	\$ 1.60	\$ 6.40	\$ 9.60	\$ 16.00	\$ 25.60	\$ 32.00	0.02	68
300J	\$ 1.62	\$ 6.48	\$ 9.72	\$ 16.20	\$ 25.92	\$ 32.40	0.02	68
320J	\$ 1.66	\$ 6.64	\$ 9.96	\$ 16.60	\$ 26.56	\$ 33.20	0.02	68
340J	\$ 1.69	\$ 6.76	\$ 10.14	\$ 16.90	\$ 27.04	\$ 33.80	0.02	68
360J	\$ 1.69	\$ 6.76	\$ 10.14	\$ 16.90	\$ 27.04	\$ 33.80	0.02	68
380J	\$ 1.73	\$ 6.92	\$ 10.38	\$ 17.30	\$ 27.68	\$ 34.60	0.02	68
400J	\$ 1.76	\$ 7.04	\$ 10.56	\$ 17.60	\$ 28.16	\$ 35.20	0.02	68
410J	\$ 1.78	\$ 7.12	\$ 10.68	\$ 17.80	\$ 28.48	\$ 35.60	0.02	68
430J	\$ 1.80	\$ 7.20	\$ 10.80	\$ 18.00	\$ 28.80	\$ 36.00	0.03	68
460J	\$ 1.83	\$ 7.32	\$ 10.98	\$ 18.30	\$ 29.28	\$ 36.60	0.03	68
490J	\$ 1.85	\$ 7.40	\$ 11.10	\$ 18.50	\$ 29.60	\$ 37.00	0.03	68
520J	\$ 1.97	\$ 7.88	\$ 11.82	\$ 19.70	\$ 31.52	\$ 39.40	0.03	68
550J	\$ 2.04	\$ 8.16	\$ 12.24	\$ 20.40	\$ 32.64	\$ 40.80	0.03	68
580J	\$ 2.13	\$ 8.52	\$ 12.78	\$ 21.30	\$ 34.08	\$ 42.60	0.03	68
610J	\$ 2.20	\$ 8.80	\$ 13.20	\$ 22.00	\$ 35.20	\$ 44.00	0.03	68
650J	\$ 2.29	\$ 9.16	\$ 13.74	\$ 22.90	\$ 36.64	\$ 45.80	0.04	68
730J	\$ 2.59	\$ 10.36	\$ 15.54	\$ 25.90	\$ 41.44	\$ 51.80	0.04	68
870J	\$ 2.69	\$ 10.76	\$ 16.14	\$ 26.90	\$ 43.04	\$ 53.80	0.05	68
920J	\$ 2.99	\$ 11.96	\$ 17.94	\$ 29.90	\$ 47.84	\$ 59.80	0.05	68
980J	\$ 3.16	\$ 12.64	\$ 18.96	\$ 31.60	\$ 50.56	\$ 63.20	0.05	68

"L" SECTION POLY-V

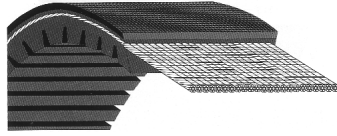
SIZE	LIST/RIB	6 RIB	8 RIB	10 RIB	12 RIB	14 RIB	16 RIB	18 RIB	20 RIB	LB/RIB	MAX RIB
500L	\$ 5.72	\$ 34.32	\$ 45.76	\$ 57.20	\$ 68.64	\$ 80.08	\$ 91.52	\$ 102.96	\$ 114.40	0.11	96
540L	\$ 5.98	\$ 35.88	\$ 47.84	\$ 59.80	\$ 71.76	\$ 83.72	\$ 95.68	\$ 107.64	\$ 119.60	0.12	96
560L	\$ 6.12	\$ 36.72	\$ 48.96	\$ 61.20	\$ 73.44	\$ 85.68	\$ 97.92	\$ 110.16	\$ 122.40	0.12	96
615L	\$ 6.52	\$ 39.12	\$ 52.16	\$ 65.20	\$ 78.24	\$ 91.28	\$ 104.32	\$ 117.36	\$ 130.40	0.13	96
635L	\$ 6.65	\$ 39.90	\$ 53.20	\$ 66.50	\$ 79.80	\$ 93.10	\$ 106.40	\$ 119.70	\$ 133.00	0.14	96
655L	\$ 6.81	\$ 40.86	\$ 54.48	\$ 68.10	\$ 81.72	\$ 95.34	\$ 108.96	\$ 122.58	\$ 136.20	0.14	96
675L	\$ 6.96	\$ 41.76	\$ 55.68	\$ 69.60	\$ 83.52	\$ 97.44	\$ 111.36	\$ 125.28	\$ 139.20	0.15	96
695L	\$ 7.11	\$ 42.66	\$ 56.88	\$ 71.10	\$ 85.32	\$ 99.54	\$ 113.76	\$ 127.98	\$ 142.20	0.15	96
725L	\$ 7.32	\$ 43.92	\$ 58.56	\$ 73.20	\$ 87.84	\$ 102.48	\$ 117.12	\$ 131.76	\$ 146.40	0.16	96
765L	\$ 7.61	\$ 45.66	\$ 60.88	\$ 76.10	\$ 91.32	\$ 106.54	\$ 121.76	\$ 136.98	\$ 152.20	0.16	96
780L	\$ 7.72	\$ 46.32	\$ 61.76	\$ 77.20	\$ 92.64	\$ 108.08	\$ 123.52	\$ 138.96	\$ 154.40	0.17	96
795L	\$ 7.81	\$ 46.86	\$ 62.48	\$ 78.10	\$ 93.72	\$ 109.34	\$ 124.96	\$ 140.58	\$ 156.20	0.17	96
815L	\$ 7.97	\$ 47.82	\$ 63.76	\$ 79.70	\$ 95.64	\$ 111.58	\$ 127.52	\$ 143.46	\$ 159.40	0.17	96
840L	\$ 8.15	\$ 48.90	\$ 65.20	\$ 81.50	\$ 97.80	\$ 114.10	\$ 130.40	\$ 146.70	\$ 163.00	0.18	96
865L	\$ 8.58	\$ 51.48	\$ 68.64	\$ 85.80	\$ 102.96	\$ 120.12	\$ 137.28	\$ 154.44	\$ 171.60	0.18	96
915L	\$ 9.45	\$ 56.70	\$ 75.60	\$ 94.50	\$ 113.40	\$ 132.30	\$ 151.20	\$ 170.10	\$ 189.00	0.19	96
975L	\$ 10.47	\$ 62.82	\$ 83.76	\$ 104.70	\$ 125.64	\$ 146.58	\$ 167.52	\$ 188.46	\$ 209.40	0.21	96
990L	\$ 10.74	\$ 64.44	\$ 85.92	\$ 107.40	\$ 128.88	\$ 150.36	\$ 171.84	\$ 193.32	\$ 214.80	0.21	96
1065L	\$ 12.04	\$ 72.24	\$ 96.32	\$ 120.40	\$ 144.48	\$ 168.56	\$ 192.64	\$ 216.72	\$ 240.80	0.23	96
1120L	\$ 12.97	\$ 77.82	\$ 103.76	\$ 129.70	\$ 155.64	\$ 181.58	\$ 207.52	\$ 233.46	\$ 259.40	0.24	96
1150L	\$ 14.50	\$ 87.00	\$ 116.00	\$ 145.00	\$ 174.00	\$ 203.00	\$ 232.00	\$ 261.00	\$ 290.00	0.24	96
1215L	\$ 17.85	\$ 107.10	\$ 142.80	\$ 178.50	\$ 214.20	\$ 249.90	\$ 285.60	\$ 321.30	\$ 357.00	0.30	72
1230L	\$ 19.69	\$ 118.14	\$ 157.52	\$ 196.90	\$ 236.28	\$ 275.66	\$ 315.04	\$ 354.42	\$ 393.80	0.30	72
1295L	\$ 22.10	\$ 132.60	\$ 176.80	\$ 221.00	\$ 265.20	\$ 309.40	\$ 353.60	\$ 397.80	\$ 442.00	0.31	72
1310L	\$ 22.77	\$ 136.62	\$ 182.16	\$ 227.70	\$ 273.24	\$ 318.78	\$ 364.32	\$ 409.86	\$ 455.40	0.32	72
1455L	\$ 30.26	\$ 181.56	\$ 242.08	\$ 302.60	\$ 363.12	\$ 423.64	\$ 484.16	\$ 544.68	\$ 605.20	0.35	72

"M" SECTION POLY-V

SIZE	LIST/RIB	6 RIB	8 RIB	10 RIB	12 RIB	14 RIB	16 RIB	18 RIB	20 RIB	LB/RIB	MAX RIB
900M	\$ 42.72	\$ 256.32	\$ 341.76	\$ 427.20	\$ 512.64	\$ 598.08	\$ 683.52	\$ 768.96	\$ 854.40	0.70	36
940M	\$ 44.13	\$ 264.78	\$ 353.04	\$ 441.30	\$ 529.56	\$ 617.82	\$ 706.08	\$ 794.34	\$ 882.60	0.73	36
990M	\$ 45.89	\$ 275.34	\$ 367.12	\$ 458.90	\$ 550.68	\$ 642.46	\$ 734.24	\$ 826.02	\$ 917.80	0.77	36
1060M	\$ 48.38	\$ 290.28	\$ 387.04	\$ 483.80	\$ 580.56	\$ 677.32	\$ 774.08	\$ 870.84	\$ 967.60	0.82	36
1115M	\$ 50.31	\$ 301.86	\$ 402.48	\$ 503.10	\$ 603.72	\$ 704.34	\$ 804.96	\$ 905.58	\$ 1,006.20	1.03	36
1150M	\$ 51.55	\$ 309.30	\$ 412.40	\$ 515.50	\$ 618.60	\$ 721.70	\$ 824.80	\$ 927.90	\$ 1,031.00	1.06	36
1185M	\$ 52.77	\$ 316.62	\$ 422.16	\$ 527.70	\$ 633.24	\$ 738.78	\$ 844.32	\$ 949.86	\$ 1,055.40	1.09	36
1230M	\$ 54.37	\$ 326.22	\$ 434.96	\$ 543.70	\$ 652.44	\$ 761.18	\$ 869.92	\$ 978.66	\$ 1,087.40	1.13	36
1310M	\$ 57.19	\$ 343.14	\$ 457.52	\$ 571.90	\$ 686.28	\$ 800.66	\$ 915.04	\$ 1,029.42	\$ 1,143.80	1.02	74
1390M	\$ 60.02	\$ 360.12	\$ 480.16	\$ 600.20	\$ 720.24	\$ 840.28	\$ 960.32	\$ 1,080.36	\$ 1,200.40	1.08	74
1470M	\$ 62.84	\$ 377.04	\$ 502.72	\$ 628.40	\$ 754.08	\$ 879.76	\$ 1,005.44	\$ 1,131.12	\$ 1,256.80	1.14	74
1610M	\$ 66.73	\$ 400.38	\$ 533.84	\$ 667.30	\$ 800.76	\$ 934.22	\$ 1,067.68	\$ 1,201.14	\$ 1,334.60	1.24	74
1650M	\$ 67.83	\$ 406.98	\$ 542.64	\$ 678.30	\$ 813.96	\$ 949.62	\$ 1,085.28	\$ 1,220.94	\$ 1,356.60	1.27	74
1760M	\$ 70.89	\$ 425.34	\$ 567.12	\$ 708.90	\$ 850.68	\$ 992.46	\$ 1,134.24	\$ 1,276.02	\$ 1,417.80	1.36	74
1830M	\$ 72.85	\$ 437.10	\$ 582.80	\$ 728.50	\$ 874.20	\$ 1,019.90	\$ 1,165.60	\$ 1,311.30	\$ 1,457.00	1.41	74
1980M	\$ 77.00	\$ 462.00	\$ 616.00	\$ 770.00	\$ 924.00	\$ 1,078.00	\$ 1,232.00	\$ 1,386.00	\$ 1,540.00	1.52	74
2130M	\$ 81.17	\$ 487.02	\$ 649.36	\$ 811.70	\$ 974.04	\$ 1,136.38	\$ 1,298.72	\$ 1,461.06	\$ 1,623.40	1.63	74
2410M	\$ 88.94	\$ 533.64	\$ 711.52	\$ 889.40	\$ 1,067.28	\$ 1,245.16	\$ 1,423.04	\$ 1,600.92	\$ 1,778.80	1.84	74
2560M	\$ 93.77	\$ 562.62	\$ 750.16	\$ 937.70	\$ 1,125.24	\$ 1,312.78	\$ 1,500.32	\$ 1,687.86	\$ 1,875.40	1.95	74
2710M	\$ 98.54	\$ 591.24	\$ 788.32	\$ 985.40	\$ 1,182.48	\$ 1,379.56	\$ 1,576.64	\$ 1,773.72	\$ 1,970.80	2.06	74
3010M	\$ 108.15	\$ 648.90	\$ 865.20	\$ 1,081.50	\$ 1,297.80	\$ 1,514.10	\$ 1,730.40	\$ 1,946.70	\$ 2,163.00	2.29	74
3310M	\$ 117.80	\$ 706.80	\$ 942.40	\$ 1,178.00	\$ 1,413.60	\$ 1,649.20	\$ 1,884.80	\$ 2,120.40	\$ 2,356.00	2.51	74
3610M	\$ 127.41	\$ 764.46	\$ 1,019.28	\$ 1,274.10	\$ 1,528.92	\$ 1,783.74	\$ 2,038.56	\$ 2,293.38	\$ 2,548.20	2.73	74



VARIABLE SPEED



Part No: 3226V585

- 32 32/16" Top Width
- 26 Angle of Sheave Groove
- V Variable Speed Profile
- With Flexten Tensile Member
- 585 58.5" Pitch Length

Molded Edge Cogged Construction is Shown Above

APPLICATIONS

For use on variable speed sheave drives requiring exact speed control and maximum range of speed changes. Ideal for recreational equipment , agricultural applications and machine tools

- * Exercise Equipment
- * Medical Equipment
- * Farm Equipment
- * Automobiles
- * Power Equipment
- * Machine Tools

KEY FEATURES & BENEFITS

- * Durable variable speed profile
- * Super strong Flexten tensile members.
- * Fiber-reinforced Wingprene compression section.
- * Precision molded construction
- * High horsepower capacity
- * Three construction types are available.
- * Oil, heat, ozone and abrasion resistant
- * Static conductive

TOP PERFORMANCE AT EVERY SPEED

Goodyear Variable Speed belts deliver the speed and horsepower the drives on your equipment were designed to achieve. Excellent transverse rigidity and exceptional flexibility prevent buckling at minimum diameter settings where the belt stresses are the greatest. Firm gripping action in the contact area provides positive traction for precise, immediate response. Together, they assure reliable, predictable transmission of maximum power over the drives full operating range. That translates to less downtime for belt maintenance and more productivity from your equipment.

BELT NO	LIST PRICE	WEIGHT LBS	BELT NO	LIST PRICE	WEIGHT LBS	BELT NO	LIST PRICE	WEIGHT LBS
1228V255	\$ 26.36	0.25	1922V454	\$ 54.04	0.83	2322V661	\$ 82.89	1.66
1422V235	\$ 25.98	0.29	1922V460	\$ 54.69	0.84	2322V681	\$ 84.57	1.71
1422V240	\$ 26.68	0.27	1922V484	\$ 55.57	0.88	2322V701	\$ 86.17	1.76
1422V270	\$ 27.75	0.30	1922V526	\$ 56.44	0.96	2322V721	\$ 87.13	1.81
1422V290	\$ 28.61	0.33	1922V544	\$ 57.72	1.00	2322V801	\$ 86.04	2.02
1422V300	\$ 29.35	0.34	1922V604	\$ 60.04	1.11	2322V826	\$ 93.23	2.08
1422V330	\$ 30.56	0.37	1922V630	\$ 61.02	1.15	2322V846	\$ 94.68	2.13
1422V340	\$ 31.42	0.38	1922V646	\$ 62.29	1.18	2322V886	\$ 97.01	2.23
1422V360	\$ 31.98	0.41	1922V666	\$ 63.34	1.22	2322V921	\$ 99.50	2.42
1422V400	\$ 32.47	0.45	1922V686	\$ 63.88	1.16	2322V1001	\$ 104.22	2.63
1422V420	\$ 34.06	0.48	1922V706	\$ 64.62	1.19	2322V1061	\$ 107.99	2.77
1422V440	\$ 34.56	0.50	1922V721	\$ 65.68	1.22	2326V310	\$ 61.33	0.65
1422V460	\$ 34.88	0.52	1922V726	\$ 66.46	1.22	2326V359	\$ 62.77	0.76
1422V466	\$ 35.10	0.53	1922V751	\$ 67.17	1.38	2330V273	\$ 46.08	0.47
1422V470	\$ 35.45	0.55	1922V756	\$ 68.23	1.39	2330V338	\$ 57.24	0.58
1422V480	\$ 35.84	0.55	1922V806	\$ 74.32	1.36	2426V343	\$ 64.52	1.06
1422V540	\$ 40.80	0.61	1922V846	\$ 79.52	1.42	2430V297	\$ 98.92	0.83
1422V600	\$ 44.66	0.68	1922V891	\$ 85.44	1.50	2430V302	\$ 99.14	0.64
1422V660	\$ 48.65	0.77	1922V966	\$ 93.00	1.62	2430V319	\$ 99.87	0.73
1422V720	\$ 52.27	0.84	1922V1146	\$ 121.05	1.91	2430V345	\$ 100.95	0.97
1422V780	\$ 56.44	0.91	1926V250	\$ 51.69	0.46	2430V379	\$ 110.91	1.04
1430V215	\$ 21.94	0.19	1926V275	\$ 52.35	0.50	2436V331	\$ 71.58	0.79
1430V315	\$ 31.90	0.40	1926V407	\$ 56.53	0.88	2526V314	\$ 98.92	0.86
1430V450	\$ 40.16	0.61	1926V427	\$ 57.84	0.92	2528V370	\$ 105.25	1.20
1430V500	\$ 44.00	0.68	1930V366	\$ 53.80	0.74	2530V300	\$ 57.65	0.81
1622V270	\$ 30.61	0.40	1930V400	\$ 57.55	0.81	2530V335	\$ 62.07	0.84
1622V336	\$ 36.39	0.50	1930V425	\$ 58.45	0.86	2530V490	\$ 77.15	1.88
1626V262	\$ 31.90	0.40	1930V431	\$ 59.56	0.88	2530V500	\$ 78.12	1.91
1626V290	\$ 32.47	0.38	1930V450	\$ 61.96	0.92	2530V530	\$ 80.43	2.03
1626V293	\$ 32.87	0.52	1930V491	\$ 62.77	1.00	2530V550	\$ 86.83	2.11
1626V304	\$ 33.76	0.54	1930V500	\$ 66.69	1.06	2530V575	\$ 92.34	2.21
1626V330	\$ 36.39	0.50	1930V541	\$ 66.86	1.10	2530V595	\$ 95.24	2.29
1626V339	\$ 38.00	0.60	1930V560	\$ 72.94	1.14	2530V600	\$ 95.24	2.31
1626V380	\$ 40.80	0.58	1930V591	\$ 72.27	1.21	2530V610	\$ 96.80	2.35
1626V384	\$ 42.33	0.59	1930V600	\$ 76.95	1.27	2530V630	\$ 100.13	2.43
1626V395	\$ 44.80	0.59	1930V641	\$ 78.98	1.31	2530V660	\$ 104.03	2.54
1626V411	\$ 45.68	0.54	1930V691	\$ 86.53	1.42	2530V670	\$ 106.22	2.58
1626V428	\$ 46.90	0.65	1930V750	\$ 95.20	1.57	2530V690	\$ 110.96	2.66
1626V440	\$ 48.50	0.78	1930V991	\$ 141.01	2.03	2530V700	\$ 111.44	2.70
1626V455	\$ 50.84	0.59	1930V1091	\$ 166.96	2.25	2530V730	\$ 120.65	2.82
1626V513	\$ 52.83	0.79	2026V422	\$ 51.69	0.82	2530V750	\$ 130.95	2.90
1626V517	\$ 53.63	0.73	2026V445	\$ 55.33	0.72	2530V790	\$ 142.54	3.05
1626V597	\$ 58.45	0.85	2026V607	\$ 66.94	0.99	2530V840	\$ 151.23	3.25
1626V604	\$ 66.28	0.93	2126V309	\$ 56.37	0.52	2530V850	\$ 153.06	3.29
1626V658	\$ 80.65	0.97	2126V365	\$ 58.35	0.87	2530V890	\$ 162.09	3.44
1626V700	\$ 84.26	1.07	2226V307	\$ 46.49	0.68	2530V934	\$ 173.61	3.62
1628V210	\$ 28.48	0.26	2230V266	\$ 43.37	0.58	2530V990	\$ 185.43	3.84
1628V315	\$ 34.24	0.50	2230V273	\$ 43.39	0.52	2530V1090	\$ 211.38	4.23
1632V210	\$ 28.48	0.28	2230V275	\$ 51.69	0.57	2626V369	\$ 86.11	1.31
1822V328	\$ 42.25	0.58	2230V285	\$ 53.58	0.58	2626V388	\$ 96.04	1.21
1828V368	\$ 50.57	0.78	2230V326	\$ 60.09	0.62	2630V345	\$ 72.55	0.95
1922V256	\$ 43.06	0.46	2230V375	\$ 68.15	0.70	2630V395	\$ 83.06	1.40
1922V277	\$ 43.55	0.50	2322V329	\$ 66.69	1.01	2636V332	\$ 71.13	1.21
1922V282	\$ 44.08	0.51	2322V347	\$ 67.66	1.07	2822V778	\$ 143.02	3.74
1922V298	\$ 44.66	0.54	2322V364	\$ 67.90	0.92	2826V452	\$ 88.18	1.71
1922V302	\$ 45.20	0.52	2322V384	\$ 68.52	0.97	2830V337	\$ 61.15	1.09
1922V321	\$ 46.66	0.53	2322V396	\$ 68.94	1.00	2830V363	\$ 63.97	0.99
1922V332	\$ 47.61	0.60	2322V421	\$ 69.67	1.07	2830V366	\$ 64.29	1.00
1922V338	\$ 48.10	0.61	2322V434	\$ 70.40	1.10	2830V367	\$ 64.82	1.20
1922V363	\$ 48.98	0.66	2322V441	\$ 70.72	1.12	2830V393	\$ 67.17	1.07
1922V381	\$ 49.86	0.69	2322V461	\$ 70.95	1.17	2830V396	\$ 67.42	1.08
1922V386	\$ 51.15	0.70	2322V481	\$ 66.55	1.22	2830V422	\$ 83.13	1.15
1922V403	\$ 52.11	0.70	2322V521	\$ 68.39	1.32	2830V428	\$ 83.37	1.17
1922V417	\$ 52.27	0.76	2322V541	\$ 74.73	1.38	2836V343	\$ 93.05	1.20
1922V426	\$ 52.66	0.77	2322V601	\$ 78.78	1.53	2836V350	\$ 95.96	1.38
1922V443	\$ 53.39	0.81	2322V621	\$ 80.72	1.58	2836V380	\$ 97.01	1.38

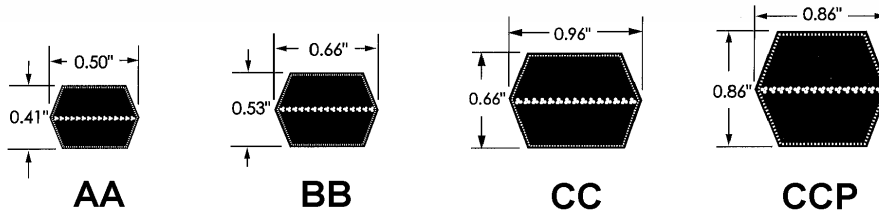


VARIABLE SPEED

BELT NO	LIST PRICE	WEIGHT LBS	BELT NO	LIST PRICE	WEIGHT LBS	BELT NO	LIST PRICE	WEIGHT LBS
2926V366	\$ 82.50	1.51	3230HV620	\$ 147.50	3.49	4430V710	\$ 225.51	5.41
2926V400	\$ 82.89	1.50	3230V621	\$ 152.56	3.17	4430V718	\$ 228.22	5.47
2926V426	\$ 83.62	1.60	3230HV626	\$ 149.89	3.53	4430V730	\$ 216.44	5.57
2926V471	\$ 83.94	1.77	3230V630	\$ 155.05	3.22	4430V740	\$ 218.70	5.64
2926V477	\$ 84.33	1.94	3230HV644	\$ 151.68	3.63	4430V750	\$ 237.13	5.72
2926V486	\$ 84.65	1.83	3230V670	\$ 157.68	3.43	4430V760	\$ 239.21	5.79
2926V491	\$ 86.65	1.85	3230HV685	\$ 155.77	3.87	4430V780	\$ 245.67	8.22
2926V521	\$ 88.74	1.97	3230HV702	\$ 157.19	3.96	4430V790	\$ 229.52	6.03
2926V534	\$ 89.22	2.16	3230V710	\$ 162.57	3.64	4430V800	\$ 249.71	6.11
2926V546	\$ 89.80	2.06	3230HV723	\$ 158.27	4.09	4430V850	\$ 247.76	6.50
2926V574	\$ 91.94	2.17	3230V750	\$ 163.70	3.84	4430V900	\$ 280.65	6.88
2926V586	\$ 93.63	2.22	3230V771	\$ 165.06	3.95	4430V910	\$ 267.26	6.96
2926V606	\$ 94.75	2.29	3230V800	\$ 166.75	4.11	4430V930	\$ 293.56	7.11
2926V616	\$ 96.19	2.33	3230HV821	\$ 180.01	4.65	4430V950	\$ 297.80	7.27
2926V636	\$ 97.15	2.41	3230V850	\$ 168.76	4.39	4430V970	\$ 284.68	7.42
2926V646	\$ 97.95	2.45	3230HV856	\$ 187.68	4.86	4430V1000	\$ 312.32	7.66
2926V666	\$ 100.30	2.52	3230V900	\$ 184.15	4.64	4430V1030	\$ 301.52	7.89
2926V686	\$ 101.82	2.60	3230HV931	\$ 195.44	5.29	4430V1060	\$ 331.88	8.12
2926V706	\$ 102.52	2.70	3230HV960	\$ 198.54	5.47	4430V1090	\$ 324.52	8.37
2926V726	\$ 105.09	2.75	3230HV1060	\$ 219.25	6.02	4430V1120	\$ 351.76	8.59
2926V776	\$ 108.14	2.95	3230V1120	\$ 246.28	5.74	4430V1150	\$ 361.54	8.83
2926V786	\$ 110.55	2.99	3230V1180	\$ 262.07	6.03	4430V1180	\$ 369.97	9.06
2926V834	\$ 112.88	3.17	3236V369	\$ 102.63	1.51	4430V1250	\$ 395.53	9.60
2926V856	\$ 114.31	3.26	3236V389	\$ 108.63	1.59	4430V1320	\$ 421.45	10.15
2926V891	\$ 116.57	3.39	3236V432	\$ 135.89	2.03	4430V1410	\$ 450.68	10.50
2926V906	\$ 120.49	3.45	3326V478	\$ 145.49	2.27	4430V1460	\$ 470.37	10.87
2926V921	\$ 121.45	3.50	3430V424	\$ 138.74	1.97	4430V1610	\$ 521.00	12.00
2926V966	\$ 124.83	3.68	3430V476	\$ 141.47	2.22	4436V525	\$ 160.87	4.64
2926V1006	\$ 126.98	3.83	3430V493	\$ 142.32	2.33	4436V551	\$ 164.26	4.11
2926V1026	\$ 133.89	4.08	3432V450	\$ 139.82	1.95	4436V646	\$ 238.41	4.84
2926V1086	\$ 137.72	4.31	3432V456	\$ 140.21	1.98	4630V650	\$ 257.74	6.02
2926V1106	\$ 141.08	4.22	3432V480	\$ 141.92	2.08	4630V663	\$ 263.34	6.14
2926V1146	\$ 147.74	4.54	3432V484	\$ 142.22	2.10	4630V733	\$ 297.11	6.80
2930V348	\$ 82.23	1.24	3432V528	\$ 144.85	2.30	4630V1070	\$ 392.26	8.87
2930V420	\$ 99.23	1.41	3432V534	\$ 145.66	2.32	4636V613	\$ 254.13	5.01
3030V377	\$ 85.79	1.45	3630V455	\$ 152.98	2.29	4830V602	\$ 223.66	5.27
3030V387	\$ 87.07	1.63	3636V479	\$ 156.81	2.54	4830V653	\$ 232.56	6.34
3226V392	\$ 127.39	1.62	3726V558	\$ 169.39	3.39	4830V699	\$ 240.72	6.14
3226V395	\$ 128.82	1.68	3826V465	\$ 177.57	2.51	4830V730	\$ 251.30	7.06
3226V400	\$ 127.78	1.66	3830V510	\$ 197.22	3.11	4830V750	\$ 258.61	6.59
3226V433	\$ 134.11	1.92	3830V517	\$ 198.07	3.16	4830V850	\$ 291.00	8.16
3226V439	\$ 136.28	1.96	3830V580	\$ 206.20	3.55	4830V970	\$ 339.83	9.26
3226V450	\$ 137.21	1.88	3830V587	\$ 207.14	3.30	4830V1070	\$ 392.25	10.18
3226V465	\$ 137.97	1.98	3836V418	\$ 133.31	2.09	4836V618	\$ 227.02	5.42
3226V505	\$ 139.41	2.16	3836V426	\$ 134.43	2.13	4836V655	\$ 233.35	5.76
3226V514	\$ 141.65	2.29	3836V654	\$ 142.22	2.09	4836V670	\$ 238.69	7.03
3226V545	\$ 143.33	2.42	3836V794	\$ 170.56	4.26	4836V710	\$ 241.86	7.42
3226V585	\$ 147.22	2.51	4030V590	\$ 207.84	3.89	4836V800	\$ 285.01	8.31
3226V603	\$ 149.19	2.59	4036V541	\$ 158.64	3.54	4836V850	\$ 292.05	8.80
3226V650	\$ 149.48	2.86	4036V574	\$ 242.20	3.63	4836V900	\$ 317.37	9.30
3226V663	\$ 149.68	2.85	4230V556	\$ 200.09	3.47	4836V950	\$ 332.19	9.79
3226V723	\$ 155.97	3.11	4230V605	\$ 209.32	4.13	4836V1000	\$ 349.67	10.29
3226V783	\$ 164.50	3.37	4230V653	\$ 218.32	4.09	4836V1060	\$ 370.65	10.88
3226V843	\$ 177.57	3.64	4430V510	\$ 154.70	3.85	4836V1120	\$ 391.62	11.47
3226V903	\$ 189.28	3.90	4430V530	\$ 152.11	4.01	4836V1180	\$ 422.46	12.06
3226V963	\$ 202.58	4.16	4430V548	\$ 150.94	4.14	4836V1250	\$ 437.08	11.86
3226V1023	\$ 215.16	4.45	4430V555	\$ 155.20	4.20	5130V732	\$ 457.78	8.28
3226V1083	\$ 227.66	4.71	4430V560	\$ 161.05	4.24	5130V787	\$ 473.44	8.92
3230V419	\$ 139.48	1.76	4430V570	\$ 177.57	4.32	5228V930	\$ 487.73	11.11
3230V481	\$ 141.32	2.43	4430V578	\$ 169.22	4.38	5230V662	\$ 437.52	6.87
3230HV528	\$ 142.38	2.96	4430V600	\$ 191.75	4.55	5230V734	\$ 452.54	8.69
3230HV546	\$ 142.80	3.06	4430V610	\$ 182.69	4.64	5230V867	\$ 567.86	10.06
3230HV553	\$ 142.92	3.10	4430V630	\$ 189.61	4.78	5636V774	\$ 288.59	8.91
3230HV570	\$ 143.50	3.21	4430V652	\$ 193.78	5.21	5830V756	\$ 450.94	10.29
3230HV585	\$ 144.21	3.29	4430V660	\$ 195.29	5.02	5836V737	\$ 461.03	9.02
3230V600	\$ 150.07	3.07	4430V670	\$ 200.16	5.10	6236V607	\$ 317.62	7.00
3230HV603	\$ 144.96	3.39	4430V690	\$ 204.32	5.25	6236V725	\$ 327.15	8.39
3230HV613	\$ 145.80	3.45	4430V700	\$ 208.09	5.33	6236V762	\$ 331.40	8.83



HEX



AA SECTION HEX BELTS: Center Width = 0.50" Thickness = 0.41"

BELT NO.	LIST PRICE	APPROX INSIDE LGTH.	APPROX OUTS. LGTH.	APPROX WT LB	BELT NO.	LIST PRICE	APPROX INSIDE LGTH.	APPROX OUTS. LGTH.	APPROX WT LB	BELT NO.	LIST PRICE	APPROX INSIDE LGTH.	APPROX OUTS. LGTH.	APPROX WT LB
AA51	\$ 13.91	51.0	54.4	.41	AA70	\$ 17.58	70.0	73.4	.55	AA96	\$ 24.20	96.0	99.4	.95
AA55	\$ 14.58	55.0	58.4	.44	AA75	\$ 18.34	75.0	78.4	.59	AA105	\$ 26.36	105.0	108.4	1.04
AA60	\$ 15.40	60.0	63.4	.48	AA80	\$ 19.76	80.0	83.4	.63	AA112	\$ 29.29	112.0	115.4	1.10
AA64	\$ 16.10	64.0	67.4	.50	AA85	\$ 21.27	85.0	88.4	.84	AA120	\$ 31.49	120.0	123.4	1.18
AA66	\$ 16.50	66.0	69.4	.52	AA90	\$ 22.70	90.0	93.4	.71	AA128	\$ 33.71	128.0	131.4	1.32
AA68	\$ 16.84	68.0	71.4	.54	AA92	\$ 23.22	92.0	95.4	.72					

BB SECTION HEX BELTS: Center Width = 0.66" Thickness = 0.53"

BELT NO.	LIST PRICE	APPROX INSIDE LGTH.	APPROX OUTS. LGTH.	APPROX WT LB	BELT NO.	LIST PRICE	APPROX INSIDE LGTH.	APPROX OUTS. LGTH.	APPROX WT LB	BELT NO.	LIST PRICE	APPROX INSIDE LGTH.	APPROX OUTS. LGTH.	APPROX WT LB
BB35	\$ 14.66	35.0	39.6	.49	BB96	\$ 34.07	96.0	100.6	1.40	BB162	\$ 57.11	162.0	166.6	2.46
BB38	\$ 16.16	38.0	42.6	.54	BB97	\$ 34.41	97.0	101.6	1.41	BB168	\$ 58.38	168.0	172.6	2.55
BB42	\$ 17.40	42.0	46.6	.60	BB103	\$ 35.87	103.0	107.6	1.50	BB169	\$ 58.67	169.0	173.6	2.56
BB43	\$ 17.95	43.0	47.6	.61	BB105	\$ 36.64	105.0	109.6	1.53	BB173	\$ 60.08	173.0	177.6	2.62
BB45	\$ 18.68	45.0	49.6	.64	BB107	\$ 37.49	107.0	111.6	1.55	BB180	\$ 62.98	180.0	184.6	2.73
BB46	\$ 19.09	46.0	50.6	.65	BB108	\$ 37.93	108.0	112.6	1.57	BB182	\$ 63.56	182.0	186.6	2.76
BB53	\$ 20.85	53.0	57.6	.75	BB111	\$ 39.48	111.0	115.6	1.61	BB190	\$ 66.44	190.0	194.6	2.87
BB55	\$ 21.24	55.0	59.6	.78	BB112	\$ 39.58	112.0	116.6	1.62	BB195	\$ 68.13	195.0	199.6	2.95
BB60	\$ 21.96	60.0	64.6	.85	BB116	\$ 40.66	116.0	120.6	1.68	BB210	\$ 73.23	210.0	214.6	3.17
BB64	\$ 23.10	64.0	68.6	.91	BB117	\$ 40.95	117.0	121.6	1.69	BB225	\$ 77.76	225.0	228.1	3.37
BB68	\$ 24.20	68.0	72.6	.96	BB118	\$ 41.15	118.0	122.6	1.71	BB226	\$ 78.14	226.0	229.1	3.38
BB71	\$ 25.13	71.0	75.6	1.01	BB120	\$ 41.77	120.0	124.6	1.73	BB228	\$ 78.82	228.0	231.1	3.41
BB72	\$ 25.42	72.0	76.6	1.02	BB122	\$ 42.47	122.0	126.6	1.87	BB230	\$ 79.50	230.0	233.1	3.44
BB73	\$ 25.74	73.0	77.6	1.08	BB123	\$ 42.78	123.0	127.6	1.88	BB240	\$ 82.75	240.0	243.1	3.59
BB74	\$ 26.07	74.0	78.6	1.08	BB124	\$ 43.20	124.0	128.6	1.90	BB255	\$ 88.25	255.0	258.1	3.81
BB75	\$ 26.36	75.0	79.6	1.06	BB128	\$ 44.66	128.0	132.6	1.96	BB267	\$ 92.65	267.0	270.1	3.99
BB81	\$ 28.56	81.0	85.6	1.13	BB129	\$ 45.19	129.0	133.6	1.97	BB270	\$ 93.74	270.0	273.1	4.03
BB83	\$ 29.52	83.0	87.6	1.22	BB130	\$ 45.56	130.0	134.6	1.99	BB273	\$ 94.77	273.0	276.1	4.08
BB85	\$ 30.05	85.0	89.6	1.24	BB136	\$ 47.75	136.0	140.6	2.07	BB277	\$ 96.16	277.0	280.1	4.14
BB90	\$ 31.49	90.0	94.6	1.31	BB140	\$ 49.06	140.0	144.6	2.13	BB278	\$ 96.51	278.0	281.1	4.15
BB92	\$ 32.45	92.0	96.6	1.34	BB144	\$ 50.52	144.0	148.6	2.19	BB285	\$ 98.85	285.0	288.1	4.26
BB93	\$ 32.96	93.0	97.6	1.36	BB155	\$ 53.30	155.0	159.6	2.36	BB300	\$ 104.00	300.0	308.1	4.48
BB94	\$ 33.34	94.0	98.6	1.37	BB158	\$ 54.94	158.0	162.6	2.40					

CC SECTION HEX BELTS: Center Width = 0.96" Thickness = 0.66"

BELT NO.	LIST PRICE	APPROX INSIDE LGTH.	APPROX OUTS. LGTH.	APPROX WT LB	BELT NO.	LIST PRICE	APPROX INSIDE LGTH.	APPROX OUTS. LGTH.	APPROX WT LB	BELT NO.	LIST PRICE	APPROX INSIDE LGTH.	APPROX OUTS. LGTH.	APPROX WT LB
CC75	\$ 49.06	75.0	81.4	1.69	CC136	\$ 88.17	136.0	142.4	3.36	CC225	\$ 145.21	225.0	229.4	5.45
CC81	\$ 53.40	81.0	87.4	1.82	CC144	\$ 93.76	144.0	150.4	3.55	CC240	\$ 153.81	240.0	244.4	5.81
CC85	\$ 54.81	85.0	91.4	1.91	CC148	\$ 95.79	148.0	154.4	3.65	CC255	\$ 164.47	255.0	259.4	6.17
CC90	\$ 59.35	90.0	96.4	2.02	CC158	\$ 102.51	158.0	164.4	3.89	CC270	\$ 173.57	270.0	274.4	6.53
CC96	\$ 62.97	96.0	102.4	2.15	CC162	\$ 104.72	162.0	168.4	3.99	CC300	\$ 192.58	300.0	304.4	7.24
CC105	\$ 68.83	105.0	111.4	2.35	CC173	\$ 112.07	173.0	179.4	4.25	CC330	\$ 211.65	330.0	334.4	7.90
CC112	\$ 73.25	112.0	118.4	2.50	CC180	\$ 117.16	180.0	186.4	4.42	CC360	\$ 230.66	360.0	364.4	8.61
CC120	\$ 78.35	120.0	126.4	2.67	CC195	\$ 126.88	195.0	201.4	4.78	CC390	\$ 250.44	390.0	394.4	9.32
CC128	\$ 83.51	128.0	134.4	2.84	CC210	\$ 136.92	210.0	216.4	5.14	CC420	\$ 270.23	420.0	424.4	10.03

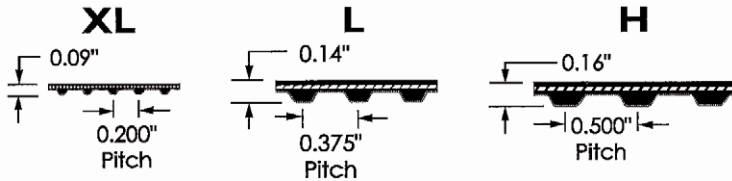
CCP SECTION "Dry Can" HEX BELTS: Center Width = 0.86" Thickness = 0.86"

BELT NO.	LIST PRICE	APPROX INSIDE LGTH.	APPROX OUTS. LGTH.	APPROX WT LB	BELT NO.	LIST PRICE	APPROX INSIDE LGTH.	APPROX OUTS. LGTH.	APPROX WT LB	BELT NO.	LIST PRICE	APPROX INSIDE LGTH.	APPROX OUTS. LGTH.	APPROX WT LB
CCP240*	\$ 288.03	240.0	244.9	8.33	CCP450	\$ 543.14	450.0	454.9	15.64	CCP680	\$ 836.10	680.0	684.9	23.51
CCP255	\$ 307.72	255.0	259.9	8.88	CCP470*	\$ 573.30	470.0	474.9	16.32	CCP700	\$ 853.05	700.0	704.9	24.20
CCP270*	\$ 325.06	270.0	274.9	9.35	CCP480	\$ 580.79	480.0	484.9	16.66	CCP720	\$ 877.47	720.0	724.9	24.88
CCP300*	\$ 361.30	300.0	304.9	10.50	CCP540	\$ 655.23	540.0	544.9	18.72	CCP750*	\$ 914.70	750.0	754.9	25.91
CCP330	\$ 396.78	330.0	334.9	11.53	CCP550	\$ 670.03	550.0	554.9	19.06	CCP780*	\$ 951.93	780.0	784.9	26.85
CCP360*	\$ 432.64	360.0	364.9	12.56	CCP578*	\$ 705.28	578.0	582.9	20.02	CCP800	\$ 979.11	800.0	804.9	27.54
CCP390*	\$ 469.27	390.0	394.9	13.58	CCP600	\$ 729.33	600.0	604.9	20.77	CCP840	\$ 1,026.41	840.0	844.9	28.90
CCP408	\$ 495.68	408.0	412.9	14.20	CCP640	\$ 770.30	640.0	644.9	22.14	CCP900	\$ 1,103.24	900.0	904.9	30.95
CCP420	\$ 505.51	420.0	424.9	14.61	CCP660	\$ 801.83	660.0	664.9	22.83					
CCP440	\$ 531.91	440.0	444.9	15.29	CCP670	\$ 820.33	670.0	674.9	23.17					

* Please consult Maurey Manufacturing for availability



OPEN END Pd™



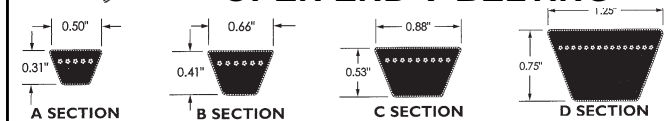
OPEN END POSITIVE DRIVE				
Part Number	Lbs Per Foot	List Price Roll/Ft	Roll Quantity	List Price Cut Length
XL037	0.02	\$ 2.02	711 FT	\$ 2.42
L050	0.03	\$ 3.17	516 FT	\$ 3.80
L075	0.05	\$ 4.26	338 FT	\$ 5.11
L100	0.06	\$ 6.39	248 FT	\$ 7.67
H050	0.04	\$ 3.38	550 FT	\$ 4.05
H075	0.05	\$ 5.00	360 FT	\$ 6.00
H100	0.07	\$ 6.58	265 FT	\$ 7.90
H150	0.11	\$ 9.77	170 FT	\$ 11.72
H200	0.14	\$ 12.99	122 FT	\$ 15.59
H300	0.22	\$ 19.39	75 FT	\$ 23.27

maurey NuTLink™ BELTING



NuTLink™ BELTING		
Part Number	List Price Per Ft	Roll/Box Quantity in Ft
A-NU-T-LINK	\$ 8.71	100 FT
A-NU-T-LINK BOX	\$ 10.45	25 FT
B-NU-T-LINK	\$ 10.11	100 FT
B-NU-T-LINK BOX	\$ 12.13	25 FT

GOODYEAR OPEN END V-BELTING



OPEN END V-BELTING		
Belt Size	Lbs Per Foot	List Price Per Ft
A Section	0.09	\$ 2.96
B Section	0.13	\$ 3.85
C Section	0.21	\$ 6.23
D Section	0.41	\$ 11.58

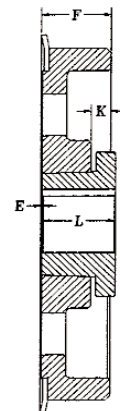
Roll Lot - 250' (max. 2 pcs.)

maurey Cotton Ginning Industry Products



MAUREY COTTON CLEANER PULLEY

- Spoked Design offers lower weight (less overhung load) and makes the part easier to handle
- Uses Maurey standard Ful-Grip (QD) bushing to secure the pulley to the shaft and accommodate multiple bore sizes
- Machined teeth provide smooth mating surface for the belt
- Durable steel flange on one side keeps belt running true



Part Number	List Price	Pulley Dia.	Flange Dia.	Bushing	E	F	K	L	Weight
30CCP150SK	\$150.00	9.46 in.	10.19 in.	SK	1/16"	1-3/4"	1/2"	1-3/8"	13.5 lb.

GOODYEAR COTTON INDUSTRY BELTS



GINNING INDUSTRY BELTS				
Part Number	List Price	No. Teeth	Pitch Length	Weight
61CCB142	\$147.81	60	61.00	1.75
63CCB165	\$151.19	63	63.00	2.02
64CCB170	\$154.23	64	64.00	1.84
65CCB175	\$152.59	65	65.00	1.86
D74CC	\$72.90		79.4	3.00
C810CC	\$59.58		83.6	1.50

*Note D74CC and C810CC are grouped for discount as HY-T Belts



MAUREY MANUFACTURING CORP.

International Headquarters:

410 Industrial Park Dr Holly Springs, MS 38635
Telephone: (800) 284-2161 Fax: (662) 252-6364
Visit Us On The Web at www.maurey.com

fast service from these nationwide MAUREY Stocking centers:

- **CLEVELAND, OH**
- **DENVER, CO**
- **ST. LOUIS, MO**
- **LOS ANGELES, CA**
- **PORTLAND, OR**
- **MINNEAPOLIS, MN**
- **HOLLY SPRINGS, MS
(MEMPHIS, TN)**

additional sales offices located in the following cities:

- **ATLANTA, GA**
- **COLUMBIA, SC**
- **CHARLOTTE, NC**
- **SALT LAKE CITY, UT**
- **DALLAS, TX**
- **MILWAUKEE, WI**
- **CHESTER, NJ**
- **MODESTO, CA**

Warranty: Our Products are warranted to the extent hereinafter provided against defects in material and workmanship for a period of one year from the date of delivery. We will replace any item if found to be defective for the foregoing reasons. This warranty shall not apply to any item which has been subject to abuse, missapplication, or improper maintenance.

This Warranty constitutes our entire and only warranty and we shall not be responsible for damages resulting from the use of our product by purchaser or others nor for consequential damages resulting for such use. There is no implied Warranty of fitness or merchantability.

No one is authorized in behalf of Maurey to modify, change, or expand upon its obligation expressed herein.

Disclaimer: List prices presented as a relative measure of cost and may not reflect actual price. List prices does not reflect intent to sell and are subject to change without notice.



Power Transmission
Distributors Association



Mechanical Power
Transmission Association

VISIT OUR WEB SITE AT WWW.CLARKTR.COM