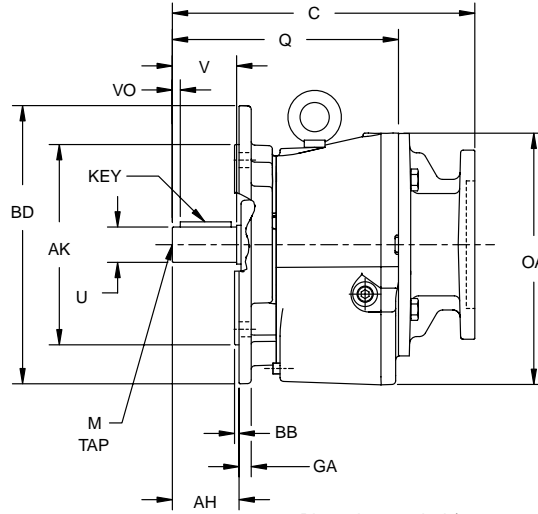
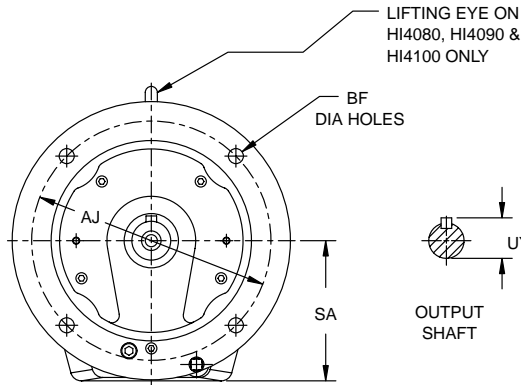


Double Reduction

DIMENSIONS SHOWN ARE FOR REFERENCE ONLY. CERTIFIED PRINTS ARE AVAILABLE UPON REQUEST.



Dimensions are inch/ mm

Gearcase

Model	OA	Q	SA
HI4032G	6.30	6.96	3.15
	160	177	80
HI4042G	7.22	7.29	4.04
	183	185	103
HI4062G	8.92	8.40	4.96
	227	213	126
HI4062G	9.71	9.44	5.75
	247	240	146
HI4072G	10.93	10.79	5.94
	278	274	151
HI4082G	13.05	12.99	7.08
	331	330	180
HI4092G	16.42	16.41	9.45
	417	417	240
HI4102G	17.98	19.00	11.02
	457	483	280

Output Shaft

AH	AJ	AK	BB	BD	BF	GA
1.92	5.12	4.331 ^{+0.0003} _{-0.0024}	0.14	6.30	0.39	0.38
49	130	110 ^{+0.054}	4	160	10	10
1.97	6.50	5.118 ^{+0.002} _{-0.003}	0.14	7.90	0.47	0.43
50	165	130 ^{+0.054}	4	200	12	11
2.76	8.46	7.087 ^{+0.0004} _{-0.0029}	0.16	9.84	0.53	0.43
70	215	180 ^{+0.064}	4	250	14	11
2.76	8.46	7.087 ^{+0.0004} _{-0.0029}	0.16	9.84	0.53	0.43
70	215	180 ^{+0.064}	4	250	14	11
3.15	10.43	9.055 ^{+0.0001} _{-0.0027}	0.16	11.81	0.53	0.59
80	265	230 ^{+0.072}	4	300	14	15
3.93	11.81	9.843 ^{+0.0005} _{-0.0025}	0.20	13.78	0.69	0.70
100	300	250 ^{+0.051}	5	350	18	18
4.72	15.75	13.780 ^{+0.0005} _{-0.0032}	0.19	17.74	0.75	1.02
120	400	350 ^{+0.070}	5	451	19	26
5.51	15.75	13.780 ^{+0.0005} _{-0.0032}	0.20	17.72	0.75	1.00
140	400	350 ^{+0.070}	5	450	19	25.4

Output Shaft * - Cont.

Model	U	UY	V	VO	KEY	M
HI4032G	0.750 ^{+0.001} _{-0.001}	0.82	1.93	0.25	3/16 x 3/16 x 1-1/16	1/4-20 x 0.63
HI4042G	1.000 ^{+0.001} _{-0.001}	1.10	N/A	0.40	1/4 x 1/4 x 1-1/2	3/8-24 x 0.91
HI4062G	1.375 ^{+0.001} _{-0.001}	1.51	N/A	0.44	5/16 x 5/16 x 1-3/4	1/2-13 x 1.13
HI4062G	1.375 ^{+0.001} _{-0.001}	1.51	2.76	0.44	5/16 x 5/16 x 1-3/4	1/2-13 x 1.13
HI4072G	1.625 ^{+0.001} _{-0.001}	1.78	3.15	0.45	3/8 x 3/8 x 2-1/4	5/8-11 x 1.38
HI4082G	2.125 ^{+0.001} _{-0.001}	2.34	3.94	0.64	1/2 x 1/2 x 2-5/8	3/4-10 x 1.61
HI4092G	2.375 ^{+0.001} _{-0.001}	2.64	4.72	0.70	5/8 x 5/8 x 3-3/4	3/4-10 x 1.61
HI4102G	2.875 ^{+0.001} _{-0.001}	3.19	5.51	0.67	3/4 x 3/4 x 4-1/8	3/4-10 x 1.61

Motor Compatibility - NEMA

Model		NEMA							
		56C	143TC	182TC	213TC	254TC	284TC	324TC	364TC
HI4032G	C	9.76	-	-	-	-	-	-	-
HI4042G	C	9.90	9.90	11.21	-	-	-	-	-
HI4062G	C	11.10	11.10	12.12	12.12	-	-	-	-
HI4062G	C	12.14	12.14	13.16	13.16	-	-	-	-
HI4072G	C	14.15	14.15	14.83	14.83	14.83	-	-	-
HI4082G	C	-	-	18.45	18.45	18.45	19.00	-	-
HI4092G	C	-	-	20.89	20.89	20.89	20.89	22.15	22.15
HI4102G	C	-	-	23.49	23.49	23.49	23.49	24.75	24.75

* See Pages I-64 and I-65 For Additional Shaft Diameters Available.

Dimensions subject to change without notice



For safety and to comply with local and national safety codes, the purchaser or user must provide protective guards over all shaft extensions and devices mounted thereon.