



## INDUSTRIALINE™ MOUNTED BEARINGS

Mounted Bearing Features Index .....	M-1
Features Index .....	M-4
Engineering and Selection – Ball Bearing Units .....	M-7
100 Series Pillow Blocks .....	M-10
100 Series Flange Blocks .....	M-12
100 & 200 Series Load Ratings .....	M-14
200 Series Pillow Blocks .....	M-15
200 Series Flange Blocks .....	M-22
QuadGuard™ – Ball Bearing Units .....	M-26
200 Series Take Up Units .....	M-28
Take-Up Frames – Ball Bearing Units .....	M-31
Ball Bearing Inserts .....	M-33
350 Series Load Ratings .....	M-36
350 Series Bearings .....	M-37
Interchange Comparisons – Ball Bearing Units .....	M-41
Type Tapered Roller Bearing Units .....	M-46



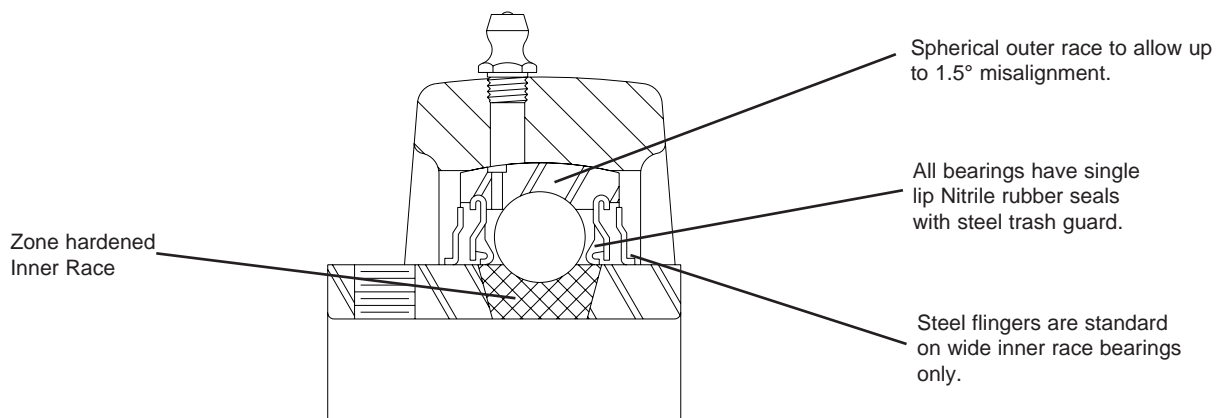
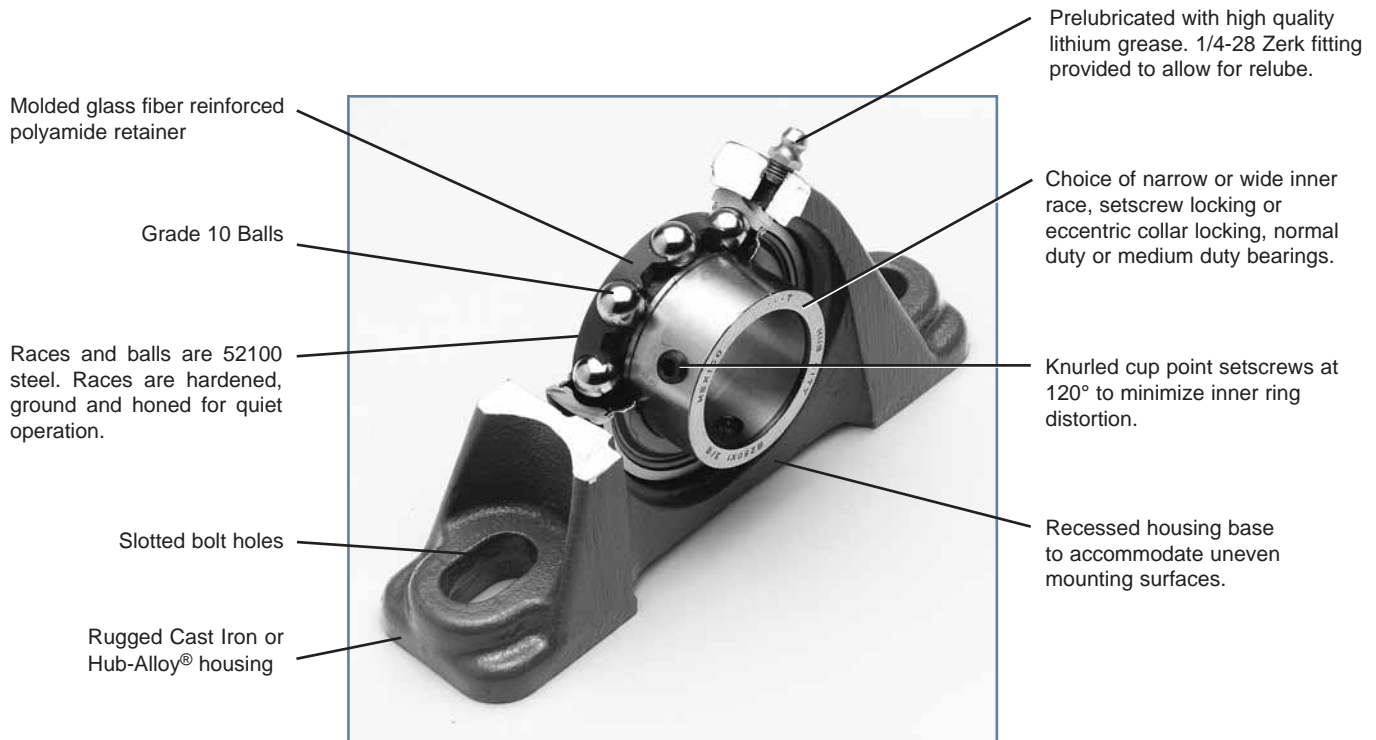
For Stainless Steel &  
Thermoplastic  
Composite Bearings,  
See Section O



## INDUSTRIALINE™ MOUNTED BEARINGS

Hub City offers a wide range of products in the IndustriaLine™ mounted ball bearing product line. These include pillow blocks, 2, 3 and 4 hole flange blocks, 4 hole piloted flange cartridges, and wide slot and narrow slot take-up units. Ball bearing units are available with

setscrew locking or eccentric locking collar, with narrow inner race or wide inner race, with normal duty or medium duty bearings. Housings are available in gray cast iron or Hub-Alloy®. Refer to Features Index for description of specific units.



Typical Cross Section

*(Continued on next page)*

## Features

### Bearings

Bearings have spherical outer races to accommodate up to 1.5° misalignment. Races and balls are made of SAE 52100 vacuum degassed bearing quality steel. Ball retainers are made of molded, glass fiber reinforced polyamide. Races are hardened, ground and honed for quiet operation, and Grade 10 balls are used. Inner races are zone hardened in the ball raceway and seal contact areas. The setscrew end is unhardened to prevent cracking at the setscrew threads. Setscrews are located at 120° to minimize inner ring distortion, and have knurled cup point to resist loosening under vibration.

Seals have a nitrile rubber lip bonded to a steel trash guard.. The positive contact, low friction seal rides on the precision ground surface of the inner race. Wide inner race bearings also have steel flingers that rotate with the inner race to provide extra protection. All ball bearings are prelubricated with high quality lithium grease. Hub City bearings have an operating temperature range of -25° F to 225° F.

### Housings

Housings for Hub City bearing units are precision machined from rugged cast iron or high strength Hub-Alloy® castings.

Hub-Alloy® is a cast ferrous material this is manufactured in a carefully controlled process to produce properties exceeding the specifications listed below. Hub-Alloy® can be used to replace malleable iron or ductile iron. It is recommended for severe applications where the stronger material is required to withstand heavy loads imposed on the housing. Hub-Alloy® has tensile strength properties in the range 50-65,000 psi, yield strength in the range 32-45,000 psi, and elongation in the range 10-12%. Specific properties of particular housings vary according to the configuration of the housing.

Cast iron housings meet or exceed the requirements of SAE G3000 gray iron. Typical tensile strength is 30,000 psi.

The nickel-plated bearing housings have an electroplated nickel base, with a finish plating of chrome. Tests conducted at Hub City show that plating of this type will provide excellent durability and optimum performance under normal washdown conditions.

### Special Modifications

Hub City can furnish modified or special units to suit customer requirements. Typical modifications include:

- ◆ Housing modifications
- ◆ Nickel plating of housings in addition to those cataloged
- ◆ Special grease types
- ◆ Dust caps
- ◆ Auxiliary anti-rotation devices
- ◆ Custom bearing units with special housings and/or bearings

Modified or special units may be subject to increased lead time and minimum production order quantities.



HUB CITY INDUSTRIALINE™ BEARING UNITS

# Features Index



## Ball Bearing Pillow Blocks

SERIES	RATING TABLES	OUTLINE DIMENSIONS	SHAFT LOCKING	BEARING LUBRICATION	BACKING HEIGHT	HOUSING MATERIAL	SIZE RANGE	INTERCHANGE REFERENCE
PB100	Page M-14	Page M-10	Setscrew	Non-Relube	High	HUB-ALLOY®	1/2 - 1-7/16	Page M-41
PB100L	Page M-14	Page M-10	Setscrew	Non-Relube	Low	HUB-ALLOY®	1/2 - 1-7/16	-
PB150	Page M-14	Page M-11	Setscrew	Relube	High	HUB-ALLOY®	1/2 - 1-7/16	Page M-41
PB150L	Page M-14	Page M-11	Setscrew	Relube	Low	HUB-ALLOY®	1/2 - 1-7/16	-
PB220	Page M-14	Page M-15	Eccentric Collar	Relube	Low	Cast Iron	1/2 - 2-7/16	Page M-42
PB221	Page M-14	Page M-15	Eccentric Collar	Relube	High	Cast Iron	1/2 - 2-7/16	Page M-42
PB220W	Page M-14	Page M-16	Eccentric Collar	Relube	Low	Cast Iron	3/4 - 2-7/16	Page M-42
PB221W	Page M-14	Page M-16	Eccentric Collar	Relube	High	Cast Iron	3/4 - 2-7/16	Page M-42
PB220WM	Page M-14	Page M-26	Eccentric Collar	Relube	Low	Cast Iron	1 - 1-15/16	-
PB221WM	Page M-14	Page M-26	Eccentric Collar	Relube	High	Cast Iron	1 - 1-15/16	-
PB220HW	Page M-14	Page M-17	Eccentric Collar	Relube	Low	HUB-ALLOY®	3/4 - 2-7/16	Page M-42
PB221HW	Page M-14	Page M-17	Eccentric Collar	Relube	High	HUB-ALLOY®	3/4 - 2-7/16	Page M-42
PB250	Page M-14	Page M-18	Setscrew	Relube	Low	Cast Iron	1/2 - 2-15/16	Page M-42
PB251	Page M-14	Page M-18	Setscrew	Relube	High	Cast Iron	1/2 - 2-15/16	Page M-42
PB250W	Page M-14	Page M-19	Setscrew	Relube	Low	Cast Iron	5/8 - 2-7/16	Page M-42
PB251W	Page M-14	Page M-19	Setscrew	Relube	High	Cast Iron	5/8 - 2-7/16	Page M-42
PB250HW	Page M-14	Page M-20	Setscrew	Relube	Low	HUB-ALLOY®	5/8 - 2-7/16	Page M-42
PB251HW	Page M-14	Page M-20	Setscrew	Relube	High	HUB-ALLOY®	5/8 - 2-7/16	Page M-42
TPB250	Page M-14	Page M-21	Setscrew	Relube	Tapped Base	Cast Iron	1/2 - 2-3/16	Page M-41
TPB250W	Page M-14	Page M-21	Setscrew	Relube	Tapped Base	Cast Iron	5/8 - 2-3/16	Page M-41
PB350	Page M-36	Page M-37	Setscrew	Relube	High	Cast Iron	1 - 3-1/2	Page M-44
PB350H	Page M-36	Page M-38	Setscrew	Relube	High	HUB-ALLOY®	1 - 3-1/2	Page M-44



# Features Index

## Ball Bearing Flange Blocks & Flange Cartridges

SERIES	RATING TABLES	OUTLINE DIMENSIONS	SHAFT LOCKING	BEARING LUBRICATION	FLANGE STYLE	HOUSING MATERIAL	SHAFT SIZE RANGE	INTERCHANGE REFERENCE
FB100	Page M-14	Page M-12	Setscrew	Non-Relube	3-Hole	HUB-ALLOY®	1/2 - 1-7/16	Page M-41
FB110	Page M-14	Page M-12	Setscrew	Non-Relube	2-Hole	HUB-ALLOY®	1/2 - 1-7/16	Page M-41
FB150	Page M-14	Page M-13	Setscrew	Relube	3-Hole	HUB-ALLOY®	1/2 - 1-7/16	Page M-41
FB 160	Page M-14	Page M-13	Setscrew	Relube	2-Hole	HUB-ALLOY®	1/2 - 1-7/16	Page M-41
FB220	Page M-14	Page M-22	Eccentric Collar	Relube	4-Hole	Cast Iron	1/2 - 2-7/16	Page M-43
FB220HW	Page M-14	Page M-23	Eccentric Collar	Relube	4-Hole	HUB-ALLOY®	3/4 - 2-7/16	Page M-43
FB220HWM	Page M-14	Page M-27	Eccentric Collar	Relube	4-Hole	HUB-ALLOY®	1 - 1-15/16	-
FB230	Page M-14	Page M-22	Eccentric Collar	Relube	2-Hole	Cast Iron	1/2 - 2-3/16	Page M-43
FB230HW	Page M-14	Page M-23	Eccentric Collar	Relube	2-Hole	HUB-ALLOY®	3/4 - 2-7/16	Page M-43
FB230HWM	Page M-14	Page M-27	Eccentric Collar	Relube	2-Hole	HUB-ALLOY®	1 - 1-15/16	-
FB250	Page M-14	Page M-24	Setscrew	Relube	4-Hole	Cast Iron	1/2 - 2-15/16	Page M-43
FB250HW	Page M-14	Page M-25	Setscrew	Relube	4-Hole	HUB-ALLOY®	5/8 - 2-7/16	Page M-43
FB260	Page M-14	Page M-24	Setscrew	Relube	2-Hole	Cast Iron	1/2 - 2-3/16	Page M-43
FB260HW	Page M-14	Page M-25	Setscrew	Relube	2-Hole	HUB-ALLOY®	5/8 - 2-7/16	Page M-43
FB350	Page M-36	Page M-37	Setscrew	Relube	4-Hole	Cast Iron	1 - 3-1/2	Page M-45
FB350H	Page M-36	Page M-38	Setscrew	Relube	4-Hole	HUB-ALLOY®	1 - 3-1/2	Page M-45
FC350	Page M-36	Page M-39	Setscrew	Relube	4-Hole Piloted	Cast Iron	1-1/4 - 3-1/2	Page M-45



† Dimensions shown are for reference only.

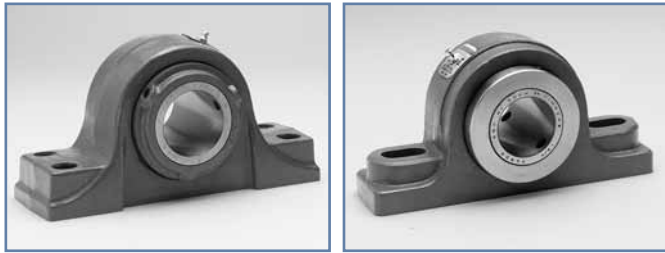
## Ball Bearing Take-Up Units

SERIES	RATING TABLES	OUTLINE DIMENSIONS	SHAFT LOCKING	BEARING LUBRICATION	SLOT WIDTH	HOUSING MATERIAL	SHAFT SIZE RANGE	INTERCHANGE REFERENCE
TU220	Page M-14	Page M-28	Eccentric Collar	Relube	Standard	HUB-ALLOY®	1/2 - 2-7/16	-
TU220W	Page M-14	Page M-29	Eccentric Collar	Relube	Standard	HUB-ALLOY®	3/4 - 2-7/16	-
TU250	Page M-14	Page M-28	Setscrew	Relube	Standard	HUB-ALLOY®	1/2 - 2-7/16	-
TU250W	Page M-14	Page M-29	Setscrew	Relube	Standard	HUB-ALLOY®	5/8 - 2-7/16	-
WSTU220	Page M-14	Page M-30	Eccentric Collar	Relube	Wide Slot	HUB-ALLOY®	3/4 - 2-7/16	Page M-44
WSTU250	Page M-14	Page M-30	Setscrew	Relube	Wide Slot	HUB-ALLOY®	3/4 - 2-7/16	Page M-44
TU350	Page M-36	Page M-39	Setscrew	Relube	Standard*	HUB-ALLOY®	1-7/16 - 3	-

\* Wide slot units available on made-to-order basis.

HUB CITY INDUSTRIALINE™ BEARING UNITS

# Features Index



## Tapered Roller Bearing Pillow Blocks

MODEL	RATING TABLES	OUTLINE DIMENSIONS	SHAFT LOCKING	BEARING LUBRICATION	HOUSING MATERIAL	BASE	SHAFT SIZE RANGE
EPB2	Page M-50	Page M-51	Setscrew Collar	Relube	Cast Iron	2-Bolt	1-3/16 - 3-1/2
EPB4	Page M-50	Page M-51	Setscrew Collar	Relube	Cast Iron	4-Bolt	2-1/4 - 4



## Tapered Roller Bearing Flange Blocks

MODEL	RATING TABLES	OUTLINE DIMENSIONS	SHAFT LOCKING	BEARING LUBRICATION	HOUSING MATERIAL	FLANGE STYLE	SHAFT SIZE RANGE
EFB4	Page M-50	Page M-52	Setscrew Collar	Relube	Cast Iron	4-Bolt	1-3/16 - 4



## Tapered Roller Bearing Flange Cartridges

MODEL	RATING TABLES	OUTLINE DIMENSIONS	SHAFT LOCKING	BEARING LUBRICATION	HOUSING MATERIAL	FLANGE STYLE	SHAFT SIZE RANGE
EFC4	Page M-50	Page M-52	Setscrew Collar	Relube	Cast Iron	4-Bolt	1-3/16 - 4

Certified prints are available upon request

M-6

CALL: (605) 225-0360



FAX: (605) 225-0567

VISIT OUR WEB SITE AT [WWW.CLARKTR.COM](http://WWW.CLARKTR.COM)



## Engineering and Selection Information

### Maximum Speed

Maximum speed limits listed for the ball bearing products described in this catalog should be used as a guide and considered along with other factors affecting bearing operation. Load characteristics, bearing lubrication, and temperature factors all influence bearing operation. It is possible that cataloged speed limits may be exceeded after a complete application analysis is completed by factory engineers.

### Bearing Life

Bearing life is commonly referred to in terms of the number of hours of operation at a given speed, that 90% of the bearings in a lot can equal or exceed before the onset of fatigue failure. This is called the L-10 life of a bearing.

The ball bearing unit load ratings published in this catalog are based upon AFBMA Standard Section 9, Load Ratings and Fatigue Life Ratings for Ball Bearings and are the steady radial loads at which the bearings will endure at various speeds for 500 hours L-10 life, or 2,500 hours average life (average life is considered to be 5 times L-10 life).

### Bearing Loads

Radial loads and thrust force in combination are the principal load components of bearing applied loads. Hub City ball bearing unit ratings are based upon the radial load capacity of the bearing. For applications where bearings are required to absorb thrust forces in addition to normal radial loads, the following considerations must be made concerning the magnitude of the thrust force.

1. When thrust loads are less than 1/2 of the radial load – the equivalent load should be considered the same as the radial load and the selection made based upon the applied radial load.
2. When thrust loads are equal to or greater than 1/2 of the radial load – the equivalent load is determined by adding the radial and thrust loads together. The bearing selection is based upon using this total load as the equivalent applied radial load.

If thrust loads are equal to or exceed the radial loads, consult the factory.

M

# Engineering and Selection Information

## Bearing Selection

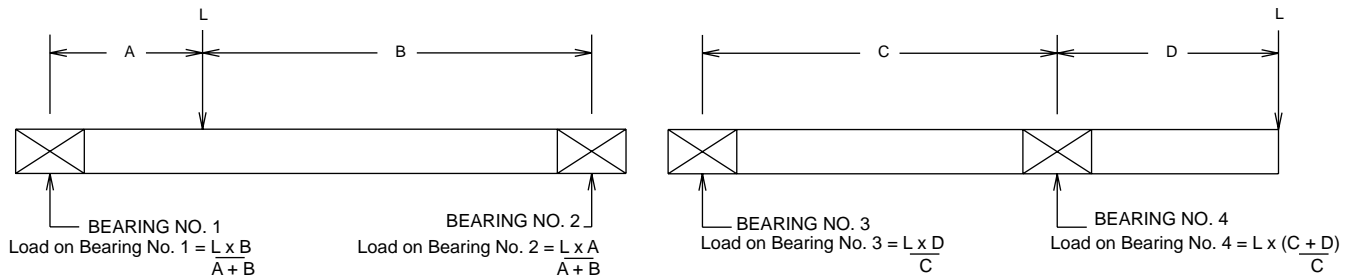
Selection of the proper Hub City bearing unit for a determined speed and load can be made by referring to the load rating tables. Proper selection is made by finding a bearing having the desired bore size which has a load rating equal to or greater than the radial or equivalent radial load required for the application.

## Engineering Data

Bearing reaction loads are caused by forces acting on the shaft supported by the bearings. These forces are a result of the weight of the shafting and components mounted on the shafting, bending loads due to belt or chain pull, gear reaction loads, and off center or

unbalanced loads. These loads must be combined into a single resultant load of known magnitude and direction for each bearing.

Whether the load is applied between bearings on a shaft supported by two bearings or outboard of one of the bearings is important to proper bearing selection. The magnitude and direction of the load for either case may be calculated by taking moments about the other bearing.



When combination forces or unbalanced loads are present, bearing reaction load calculations should be reviewed with factory engineering.

**L = APPLIED EQUIVALENT LOAD**

## Selection Example 1:

### Radial Load Service Life Expectancy Selection

Select a mounted bearing pillow block unit to meet the following application requirements:

- Shaft diameter of 1 inch
- Shaft speed is 1500 RPM.
- Radial load requirement is 850 Lbs.
- Life requirement is 1000 hours L-10 (5000 hours average life)

#### Step 1.

From the rating tables on pages M-14 and M-36, locate the one inch shaft diameter line and follow that line to the right to the 1500 RPM column. Note that the radial load capacity for 100 Series bearings (ratings, page M-14) and 200 Series bearings (ratings, page M-14) is 890 pounds. The radial load capacity for 350 Series bearings (ratings, page M-36) is 1230 pounds.

(Continued on page M-9)



## Engineering and Selection Information

### Selection Example 1:

#### Radial Load Service Life Expectancy Selection (Cont.)

##### Step 2.

The published radial load capacities are based on an L-10 life of 500 hours and must be modified to suit the application requirement of 1000 hours L-10 life by using

the proper multiplier from the chart below each rating table. Calculate the equivalent radial load capacity for 1000 hours L-10 life expectancy as follows:

For 100 or 200 Series Units

890	Lbs. radial capacity
<u>x .794</u>	1000 hours L-10 life factor
707	Lbs. radial capacity for 1000 hours L-10 life

For 350 Series: Units

1230	Lbs. radical capacity
<u>x.794</u>	1000 hours L-10 life factor
977	Lbs. radical capacity for 1000 hours L-10 life

##### Step 3.

The application radial load requirement of 850 pounds is greater than the radial load capacity for 1000 hours L-10 life for the 100 or 200 Series bearing units. The radial load capacity of the 350 Series bearing unit is 977 pounds and is greater than the application requirement

of 650 pounds. A 350 Series bearing unit is the proper selection.

Since a mounted bearing pillow block is required, a 350 Series pillow block with 1 inch bore should be specified.

M

### Selection Example 2:

#### Combination Radial and Thrust Load Requirement

Select a Hub City mounted bearing flange block to meet the following conditions:

- Shaft diameter is 1-3/16.
- A combination load is applied consisting of:
  - Radial load 400 pounds
  - Thrust load is 250 pounds
- Shaft speed is 500 RPM
- The L-10 life requirement is 500 hours (2500 hours average life)

##### Step 1.

From the load rating tables, M-14 and M-36, locate the 1-3/16 inch shaft size line and follow this line to the right to the 500 RPM column. The radial load capacity for 100 Series (page M-14) and 200 Series (page M-14) bearing units is 1780 pounds.

The radial load capacity for 350 Series (page M-36) bearing units is 2330 pounds.

##### Step 2.

Since the application L-10 life requirement of 500 hours is what the catalog rating charts are based on there's no need to apply further modifying factors.

##### Step 3.

Because the applied thrust load of 250 pounds is more than half of the applied radial load of 400 pounds, these loads must be added together to obtain the equivalent radial load requirement.

Equivalent Radial Load = 400 Lbs. + 250 Lbs. = 650 Lbs.

##### Step 4.

The equivalent radial load requirement of 650 pounds is less than the catalog radial load capacity for 100 Series, 200 Series, or 350 Series bearing units.

The application requirement is for a flange block unit. A choice must be made as to whether a 2-bolt, 3-bolt, or 4-bolt flange is desired.

The proper selection can then be made based on the preference for housing material (gray iron, or HUB-ALLOY®) and type of shaft locking preference (setscrew or eccentric collar locking) and whether a non-relube or relube type bearing is required.

For Lubrication and Mounting Instructions, Refer to section R

CALL: (605) 225-0360



FAX: (605) 225-0567

M-9

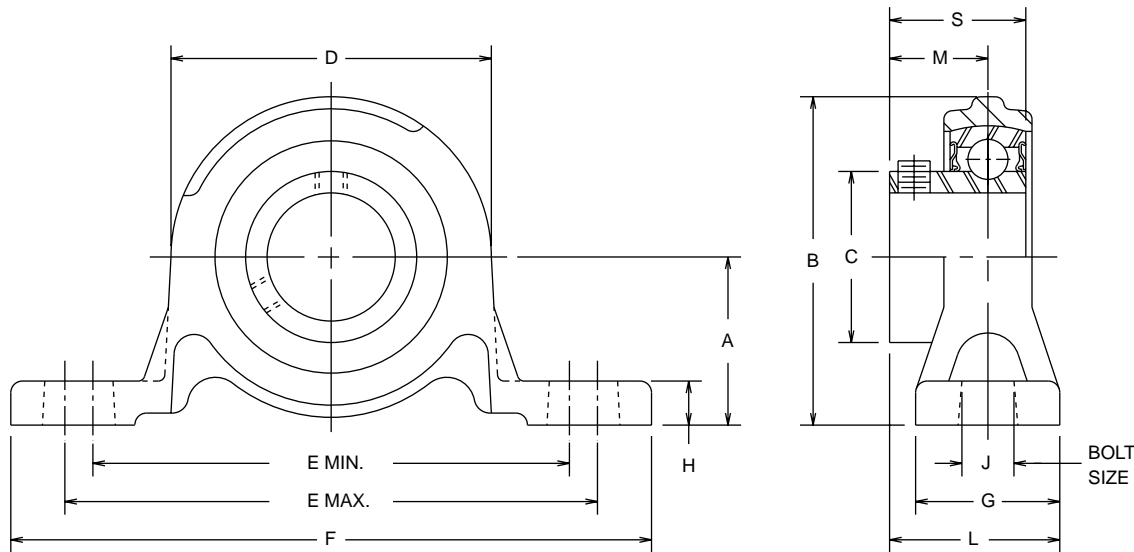
VISIT OUR WEB SITE AT [WWW.CLARKTR.COM](http://WWW.CLARKTR.COM)

HUB CITY INDUSTRIALINE™ BEARING UNITS

# HUB-ALLOY® Pillow Blocks

## Series PB100, PB100L

- ◆ Non-relube type. Prelubricated at the factory
- ◆ Setscrew locking
- ◆ Self-aligning replaceable bearing
- ◆ Nitrile rubber seals with steel trash guard
- ◆ Precision bored high strength HUB-ALLOY® housing



### PB100 Series— For High Shaft Heights

Shaft Size	DIMENSIONS													Wt. Lbs.
	A	B	C	D	E		F	G	H	J	L	M	S	
					Min.	Max.								
1/2, 5/8	1-3/16	2-5/32	.953	1-15/16	3-7/32	3-21/32	4-7/16	1	11/32	3/8	1-1/8	.630	.886	.6
3/4	1-5/16	2-7/16	1.110	2-1/4	3-17/32	3-31/32	4-3/4	1-1/16	3/8	3/8	1-1/4	.720	1.004	.8
7/8, 15/16, 1	1-7/16	2-11/16	1.328	2-1/2	3-23/32	4-5/32	5	1-1/8	13/32	3/8	1-21/64	.768	1.071	1.0
1-1/8, 1-3/16, 1-1/4S	1-11/16	3-5/32	1.563	2-15/16	4-7/16	5	5-15/16	1-5/16	13/32	1/2	1-33/64	.866	1.220	1.4
1-1/4, 1-5/16, 1-3/8, 1-7/16	1-7/8	3-9/16	1.815	3-3/8	4-23/32	5-9/32	6-1/4	1-3/8	7/16	1/2	1-11/16	1.004	1.378	1.9

Part Numbers are specified by "PB100" and Bore Size; Example: PB100 x 1-1/8.  
For replacement inserts use B250 Bearing Inserts, see page M-33.

For Load Ratings, see page M-14. For Comparison Charts, see page M-41.

### PB100L Series – For Low Shaft Heights

Shaft Size	DIMENSIONS													Wt. Lbs.
	A	B	C	D	E		F	G	H	J	L	M	S	
					Min.	Max.								
1/2, 5/8	1-1/16	2-1/32	.953	1-15/16	3-7/32	3-21/32	4-7/16	1	9/32	3/8	1-1/8	.630	.886	.6
3/4	1-1/4	2-3/8	1.110	2-1/4	3-17/32	3-31/32	4-3/4	1-1/16	5/16	3/8	1-1/4	.720	1.004	.8
7/8, 15/16, 1	1-5/16	2-9/16	1.328	2-1/2	3-23/32	4-5/32	5	1-1/8	11/32	3/8	1-21/64	.768	1.071	.9
1-1/8, 1-3/16, 1-1/4S	1-9/16	3-1/32	1.563	2-15/16	4-7/16	5	5-15/16	1-5/16	3/8	1/2	1-33/64	.866	1.220	1.3
1-1/4, 1-5/16, 1-3/8, 1-7/16	1-13/16	3-1/2	1.815	3-3/8	4-23/32	5-9/32	6-1/4	1-3/8	13/32	1/2	1-11/16	1.004	1.378	1.9

Part Numbers are specified by "PB100L" and Bore Size; Example: PB100L x 7/8.  
For replacement inserts use B250 Bearing Inserts, see page M-33.

For Load Ratings, see page M-14.

†† Dimensions shown are for reference only.

Certified prints are available upon request

M-10

CALL: (605) 225-0360



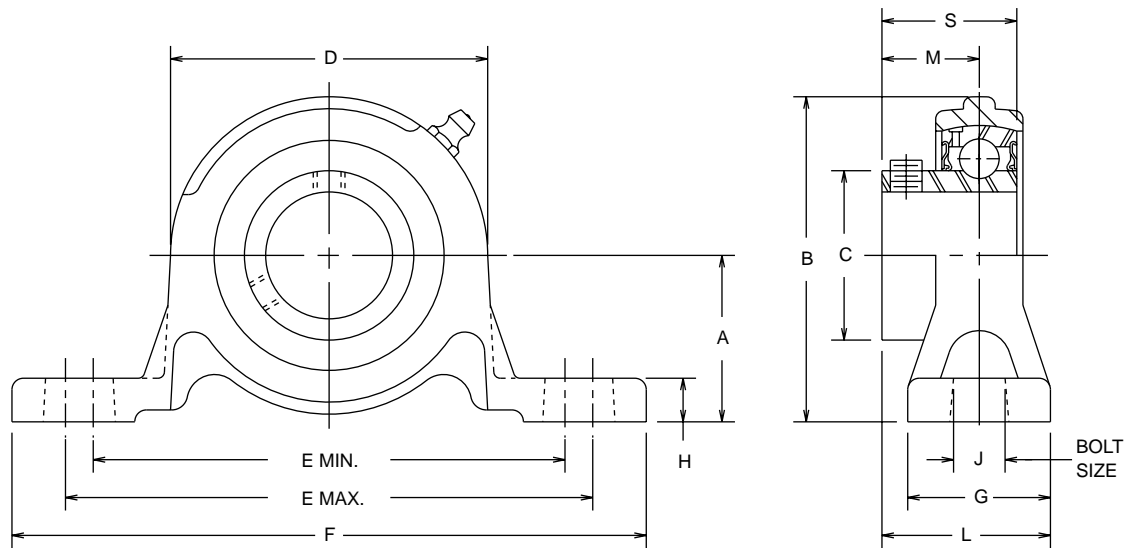
FAX: (605) 225-0567

VISIT OUR WEB SITE AT [WWW.CLARKTR.COM](http://WWW.CLARKTR.COM)

# HUB-ALLOY® Pillow Blocks

## Series PB150, PB150L

- ◆ Relube type. Prelubricated at factory
- ◆ Setscrew locking
- ◆ Self-aligning replaceable bearing
- ◆ Nitrile rubber seals with steel trash guard
- ◆ Precision bored high strength HUB ALLOY® housing



### PB150 Series— For High Shaft Heights

Shaft Size	DIMENSIONS												Wt. Lbs.	
	A	B	C	D	E		F	G	H	J	L	M		S
					Min.	Max.								
1/2, 5/8	1-3/16	2-5/32	.953	1-15/16	3-7/32	3-21/32	4-7/16	1	11/32	3/8	1-1/8	.630	.886	.6
3/4	1-5/16	2-7/16	1.110	2-1/4	3-17/32	3-31/32	4-3/4	1-1/16	3/8	3/8	1-1/4	.720	1.004	.8
7/8, 15/16, 1	1-7/16	2-11/16	1.328	2-1/2	3-23/32	4-5/32	5	1-1/8	13/32	3/8	1-21/64	.768	1.071	1.0
1-1/8, 1-3/16, 1-1/4S	1-11/16	3-5/32	1.563	2-15/16	4-7/16	5	5-15/16	1-5/16	13/32	1/2	1-33/64	.866	1.220	1.4
1-1/4, 1-5/16, 1-3/8, 1-7/16	1-7/8	3-9/16	1.815	3-3/8	4-23/32	5-9/32	6-1/4	1-3/8	7/16	1/2	1-11/16	1.004	1.378	2.0

Part Numbers are specified by "PB150" and Bore Size; Example: PB150 x 1-1/8. For Load Ratings, see page M-14. For replacement inserts use B250 Bearing Inserts, see page M-33.

### PB150L Series— For Low Shaft Heights

Shaft Size	DIMENSIONS												Wt. Lbs.	
	A	B	C	D	E		F	G	H	J	L	M		S
					Min.	Max.								
1/2, 5/8	1-1/16	2-1/32	.953	1-15/16	3-7/32	3-21/32	4-7/16	1	9/32	3/8	1-1/8	.630	.886	.6
3/4	1-1/4	2-3/8	1.110	2-1/4	3-17/32	3-31/32	4-3/4	1-1/16	5/16	3/8	1-1/4	.720	1.004	.8
7/8, 15/16, 1	1-5/16	2-9/16	1.328	2-1/2	3-23/32	4-5/32	5	1-1/8	11/32	3/8	1-21/64	.768	1.071	.9
1-1/8, 1-3/16, 1-1/4S	1-9/16	3-1/32	1.563	2-15/16	4-7/16	5	5-15/16	1-5/16	3/8	1/2	1-33/64	.866	1.220	1.3
1-1/4, 1-5/16, 1-3/8, 1-7/16	1-13/16	3-1/2	1.815	3-3/8	4-23/32	5-9/32	6-1/4	1-3/8	13/32	1/2	1-11/16	1.004	1.378	1.9

Part Numbers are specified by "PB150L" and Bore Size; Example: PB150L x 1-1/8. For Load Ratings, see page M-14. For replacement inserts use B250 Bearing Inserts, see page M-33.

¶ Dimensions shown are for reference only.

Certified prints are available upon request

CALL: (605) 225-0360



FAX: (605) 225-0567

M-11

VISIT OUR WEB SITE AT WWW.CLARKTR.COM

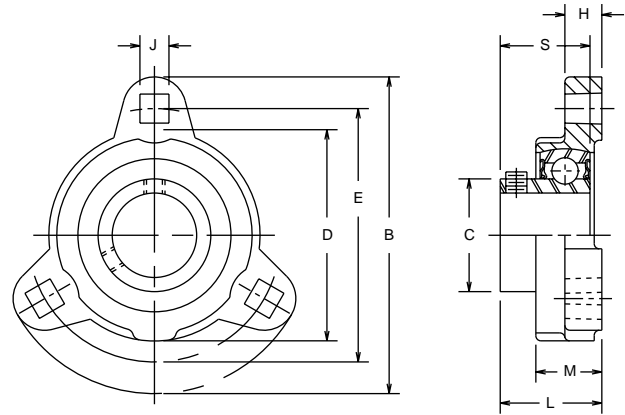
HUB CITY INDUSTRIALINE™ BEARING UNITS

# HUB-ALLOY® Flange Blocks

## Series FB100, FB110

### FB100 Three-Hole Flange Block

- ◆ Non-relube type. Prelubricated at factory
- ◆ Setscrew locking
- ◆ Self-aligning replaceable bearing
- ◆ Nitrile rubber seals with steel trash guard
- ◆ Precision bored high strength HUB-ALLOY® housing



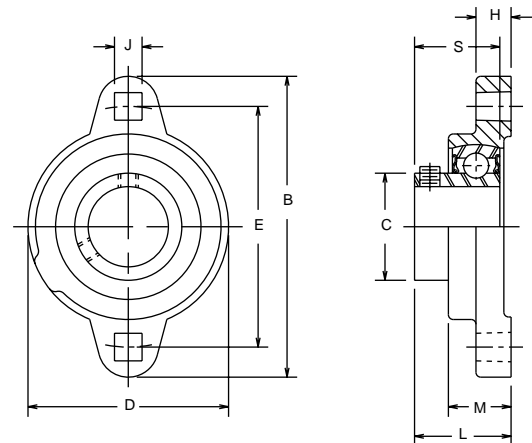
Shaft Size	DIMENSIONS									
	B	C	D	E	H	J‡	L	M	S	Wt. Lbs.
1/2, 5/8	3-3/16	.953	1-15/16	2-1/2	27/64	9/32	1-1/16	3/4	.886	.6
3/4	3-9/16	1.110	2-1/4	2-13/16	7/16	11/32	1-5/32	25/32	1.004	.8
7/8, 15/16, 1	3-3/4	1.328	2-1/2	3	7/16	11/32	1-13/64	25/32	1.071	.8
1-1/8, 1-3/16, 1-1/4S	4-7/16	1.563	2-15/16	3-9/16	15/32	13/32	1-11/32	27/32	1.220	1.1
1-1/4, 1-5/16, 1-3/8, 1-7/16	4-13/16	1.815	3-3/8	3-15/16	1/2	13/32	1-1/2	29/32	1.378	1.7

Part Numbers are specified by "FB100" and Bore Size; Example: FB100 x 1/2. ‡  
For Load Ratings, see page M-14. For Comparison Charts, see page M-41.

‡ Holes are cast, some variation may be expected.  
For replacement inserts use B250 Bearing Inserts, see page M-33.

### FB110 Two-Hole Flange Block

- ◆ Non-relube type. Prelubricated at factory
- ◆ Setscrew locking
- ◆ Self-aligning replaceable bearing
- ◆ Nitrile rubber seals with steel trash guard
- ◆ Precision bored high strength HUB-ALLOY® housing



Shaft Size	DIMENSIONS									
	B	C	D	E	H	J‡	L	M	S	Wt. Lbs.
1/2, 5/8	3-3/16	.953	1-15/16	2-1/2	27/64	9/32	1-1/16	3/4	.886	.6
3/4	3-9/16	1.110	2-1/4	2-13/16	7/16	11/32	1-5/32	25/32	1.004	.8
7/8, 15/16, 1	3-3/4	1.328	2-1/2	3	7/16	11/32	1-13/64	25/32	1.071	.8
1-1/8, 1-3/16, 1-1/4S	4-7/16	1.563	2-15/16	3-9/16	15/32	13/32	1-11/32	27/32	1.220	1.1
1-1/4, 1-5/16, 1-3/8, 1-7/16	4-13/16	1.815	3-3/8	3-15/16	1/2	13/32	1-1/2	29/32	1.378	1.5

Part Numbers are specified by "FB110" and Bore Size; Example: FB110 x 1/2.  
For Load Ratings, see page M-14. For Comparison Charts, see page M-41.

‡ Holes are cast, some variation may be expected.  
For replacement inserts use B250 Bearing Inserts, see page M-33.

†† Dimensions shown are for reference only.

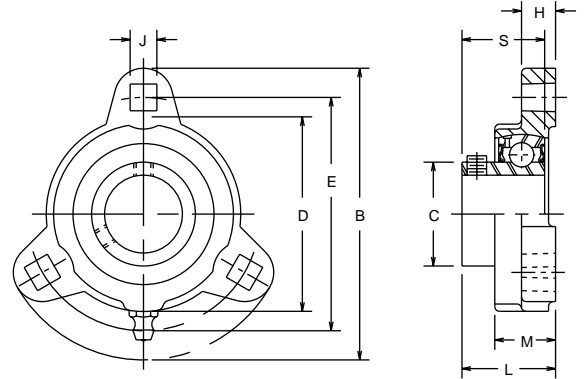
Certified prints are available upon request

# HUB-ALLOY® Flange Blocks

## Series FB150, FB160

### FB150 Three-Hole Flange Block

- ◆ Relube type. Prelubricated at factory
- ◆ Setscrew locking
- ◆ Self-aligning replaceable bearing
- ◆ Nitrile rubber seals with steel trash guard
- ◆ Precision bored high strength HUB-ALLOY® housing



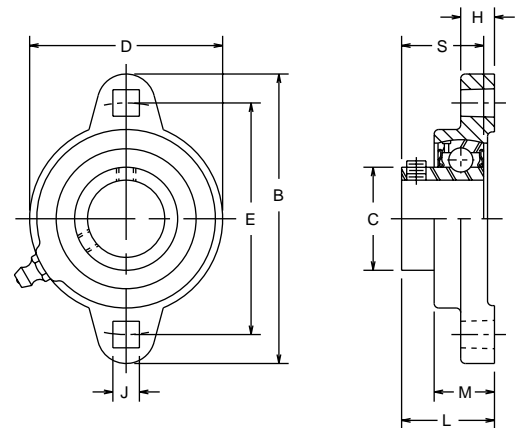
Shaft Size	DIMENSIONS									Wt. Lbs.
	B	C	D	E	H	J‡	L	M	S	
1/2, 5/8	3-3/16	.953	1-15/16	2-1/2	27/64	9/32	1-1/16	3/4	.886	.5
3/4	3-9/16	1.110	2-1/4	2-13/16	7/16	11/32	1-5/32	25/32	1.004	.7
7/8, 15/16, 1	3-3/4	1.328	2-1/2	3	7/16	11/32	1-13/64	25/32	1.071	.8
1-1/8, 1-3/16, 1-1/4S	4-7/16	1.563	2-15/16	3-9/16	15/32	13/32	1-11/32	27/32	1.220	1.2
1-1/4, 1-5/16, 1-3/8, 1-7/16	4-13/16	1.815	3-3/8	3-15/16	1/2	13/32	1-1/2	29/32	1.378	1.6

Part Numbers are specified by "FB150" and Bore Size; Example: FB150 x 3/4.  
For Load Ratings, see page M-14. For Comparison Charts, see page M-41.

‡ Holes are cast, some variation may be expected.  
For replacement inserts use B250 Bearing Inserts, see page M-33.

### FB160 Two-Hole Flange Block

- ◆ Relube type. Prelubricated at factory
- ◆ Setscrew locking
- ◆ Self-aligning replaceable bearing
- ◆ Nitrile rubber seals with steel trash guard
- ◆ Precision bored high strength HUB-ALLOY® housing



Shaft Size	DIMENSIONS									Wt. Lbs.
	B	C	D	E	H	J‡	L	M	S	
1/2, 5/8	3-3/16	.953	1-15/16	2-1/2	27/64	9/32	1-1/16	3/4	.886	.6
3/4	3-9/16	1.110	2-1/4	2-13/16	7/16	11/32	1-5/32	25/32	1.004	.7
7/8, 15/16, 1	3-3/4	1.328	2-1/2	3	7/16	11/32	1-13/64	25/32	1.071	.8
1-1/8, 1-3/16, 1-1/4S	4-7/16	1.563	2-15/16	3-9/16	15/32	13/32	1-11/32	27/32	1.220	1.2
1-1/4, 1-5/16, 1-3/8, 1-7/16	4-13/16	1.815	3-3/8	3-15/16	1/2	13/32	1-1/2	29/32	1.378	1.5

Part Numbers are specified by "FB160" and Bore Size; Example: FB160 x 3/4.  
For Load Ratings, see page M-14. For Comparison Charts, see page M-41.

‡ Holes are cast, some variation may be expected.  
For replacement inserts use B250 Bearing Inserts, see page M-33.

¶ Dimensions shown are for reference only.

Certified prints are available upon request

CALL: (605) 225-0360



FAX: (605) 225-0567

M-13

VISIT OUR WEB SITE AT [WWW.CLARKTR.COM](http://WWW.CLARKTR.COM)



HUB CITY INDUSTRIALINE™ BEARING UNITS

# Series 100, 200 - Ratings

SHAFT SIZE (INCHES)	BEARING RADIAL LOAD CAPACITY IN POUNDS BASED ON L-10 LIFE OF 500 HOURS AND STEADY LOAD CONDITIONS (2500 HOURS AVERAGE LIFE)							
	BEARING SPEED — REVOLUTIONS PER MINUTE (RPM)							
	100	500	1,000	1,500	2,000	2,500	3,000	3,500
1/2, 5/8	1,490	870	690	600	550	510	480	460
3/4	1,980	1,160	920	800	730	680	640	610
7/8, 15/16, 1	2,180	1,280	1,010	890	800	750	700	670
1-1/8, 1-3/16, 1-1/4S	3,040	1,780	1,410	1,230	1,120	1,040	980	930
1-1/4, 1-5/16, 1-3/8, 1-7/16	3,980	2,330	1,850	1,610	1,470	1,360	1,280	—
1-1/2	4,790	2,800	2,220	1,940	1,760	1,640	1,540	—
1-5/8, 1-11/16, 1-3/4	5,180	3,030	2,400	2,100	1,910	1,770	—	—
1-15/16, 2S	5,480	3,200	2,540	2,220	2,020	1,870	—	—
2, 2-3/16	6,800	3,980	3,160	2,760	2,510	—	—	—
2-1/4, 2-7/16	8,250	4,830	3,830	3,350	3,040	—	—	—
2-15/16	9,710	5,680	4,510	3,940	—	—	—	—

For ultimate life, snug fit or light press on shaft should be used.  
Recommended Operating Temperature Range: -25° to +225°F.

Maximum Recommended Speeds:\*  
1-7/16 and smaller — 3,500 R.P.M.  
1-1/2 – 1-3/4 — 3,000 R.P.M.  
1-7/8 – 2-7/16 — 2,500 R.P.M.  
2-15/16 — 1,800 R.P.M.

For Applications not covered in the table above, consult the factory.

TO MODIFY THE ABOVE RATINGS FOR OTHER L-10 LIFE REQUIREMENTS OR FOR SHOCK LOADS MULTIPLY THE ABOVE RATINGS BY THE FACTOR FROM THIS CHART														
MODIFICATION FACTORS FOR L-10 SERVICE LIFE AND LOAD CONDITIONS:														
LOAD CONDITIONS	L-10 LIFE (HOURS)													
	500	700	1,000	1,500	2,000	3,000	4,000	5,000	7,000	10,000	15,000	20,000	30,000	50,000
Steady Load	1.00	.894	.794	.694	.630	.550	.500	.464	.415	.368	.322	.292	.255	.215
Light Shock	.90	.804	.715	.624	.567	.495	.450	.418	.373	.331	.290	.263	.230	.194
Moderate Shock	.70	.626	.556	.485	.441	.385	.350	.325	.290	.258	.225	.205	.179	.151

† Dimensions shown are for reference only.

Certified prints are available upon request

M-14

CALL: (605) 225-0360



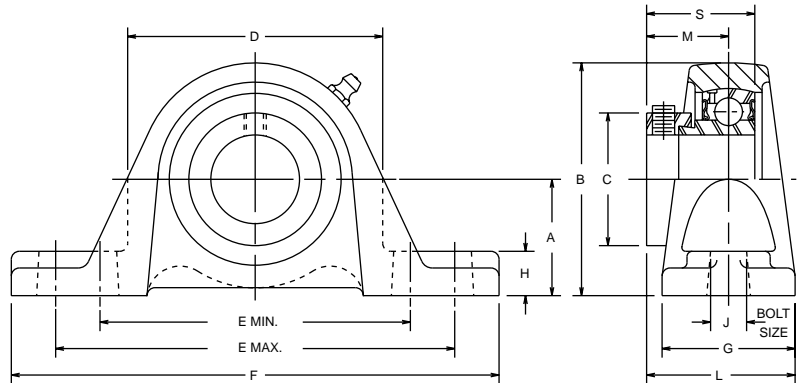
FAX: (605) 225-0567

VISIT OUR WEB SITE AT [WWW.CLARKTR.COM](http://WWW.CLARKTR.COM)

# Cast Iron Pillow Blocks

## Series PB220, PB221

- ◆ Relube type. Prelubricated at factory
- ◆ Eccentric locking collar
- ◆ Self-aligning replaceable bearing
- ◆ Nitrile rubber seals with steel trash guard
- ◆ Precision bored Cast Iron housing



NOTE: BEARINGS WITH ECCENTRIC LOCKING COLLARS ARE NOT RECOMMENDED FOR USE IN REVERSING APPLICATIONS.

### PB220 Series – For Low Shaft Heights

Shaft Size	DIMENSIONS													Wt. Lbs.
	A	B	C	D	E		F	G	H	J	L	M	S	
					Min.	Max.								
1/2, 5/8	1-1/16	2-1/8	1.101	1-15/16	3	3-15/16	4-7/8	1-1/4	1/2	3/8	1-35/64	.915	1.126	1.1
3/4	1-1/4	2-1/2	1.273	2-1/4	3-1/4	4-1/8	5-1/8	1-3/8	1/2	3/8	1-39/64	.925	1.220	1.8
7/8, 1	1-5/16	2-5/8	1.460	2-1/2	3-1/2	4-1/2	5-1/2	1-1/2	1/2	3/8	1-43/64	.925	1.220	2.3
1-1/8, 1-3/16, 1-1/4S	1-9/16	3-1/8	1.710	3	4-1/4	5-1/8	6-3/8	1-3/4	5/8	1/2	1-59/64	1.051	1.406	2.8
1-1/4, 1-3/8, 1-7/16	1-13/16	3-5/8	2.148	3-7/16	4-11/16	5-1/2	6-3/4	1-7/8	5/8	1/2	2-3/32	1.157	1.531	3.7
1-1/2	1-15/16	3-15/16	2.335	3-7/8	5-1/8	5-15/16	7-1/8	1-7/8	3/4	1/2	2-13/64	1.268	1.720	4.2
1-5/8, 1-11/16, 1-3/4	2-1/16	4-3/16	2.483	4-1/8	5-3/8	6-1/4	7-3/8	2	3/4	1/2	2-9/32	1.287	1.720	4.8
1-15/16	2-3/16	4-7/16	2.733	4-5/16	5-13/16	6-3/4	8-3/8	2	3/4	5/8	2-9/32	1.287	1.720	5.9
2, 2-3/16	2-7/16	4-15/16	2.983	4-3/4	6-7/16	7-3/8	9	2-1/4	7/8	5/8	2-9/16	1.439	1.906	8.3
2-7/16	2-11/16	5-1/2	3.296	5-1/4	6-3/4	8-1/8	9-5/8	2-1/2	1-1/8	5/8	2-13/16	1.559	2.091	10.9

Part Numbers are specified by "PB220" and Bore Size; Example: PB220 x 1-7/16.

For Load Ratings, see page M-14. For Comparison Charts, see page M-42.

For replacement inserts use B220 Bearing Inserts, see page M-33.

### PB221 Series – For High Shaft Heights

Shaft Size	DIMENSIONS													Wt. Lbs.
	A	B	C	D	E		F	G	H	J	L	M	S	
					Min.	Max.								
1/2, 5/8	1-3/16	2-1/4	1.101	1-15/16	3	3-15/16	4-7/8	1-1/4	5/8	3/8	1-35/64	.915	1.126	1.2
3/4	1-5/16	2-9/16	1.273	2-1/4	3-1/4	4-1/8	5-1/8	1-3/8	9/16	3/8	1-39/64	.925	1.220	1.9
7/8, 1	1-7/16	2-3/4	1.460	2-1/2	3-1/2	4-1/2	5-1/2	1-1/2	5/8	3/8	1-43/64	.925	1.220	2.4
1-1/8, 1-3/16, 1-1/4S	1-11/16	3-1/4	1.710	3	4-1/4	5-1/8	6-3/8	1-3/4	3/4	1/2	1-59/64	1.051	1.406	2.9
1-1/4, 1-3/8, 1-7/16	1-7/8	3-11/16	2.148	3-7/16	4-11/16	5-1/2	6-3/4	1-7/8	11/16	1/2	2-3/32	1.157	1.531	4.1
1-1/2	2	4	2.335	3-7/8	5-1/8	5-15/16	7-1/8	1-7/8	13/16	1/2	2-13/64	1.268	1.720	4.3
1-5/8, 1-11/16, 1-3/4	2-1/8	4-1/4	2.483	4-1/8	5-3/8	6-1/4	7-3/8	2	13/16	1/2	2-9/32	1.287	1.720	4.9
1-15/16	2-1/4	4-1/2	2.733	4-5/16	5-13/16	6-3/4	8-3/8	2	13/16	5/8	2-9/32	1.287	1.720	6.1
2, 2-3/16	2-1/2	5	2.983	4-3/4	6-7/16	7-3/8	9	2-1/4	15/16	5/8	2-9/16	1.439	1.906	9.0
2-7/16	2-3/4	5-9/16	3.296	5-1/4	6-3/4	8-1/8	9-5/8	2-1/2	1-3/16	5/8	2-13/16	1.559	2.091	11.1

Part Numbers are specified by "PB221" and Bore Size; Example: PB221 x 1-1/2.

For Load Ratings, see page M-14. For Comparison Charts, see page M-42.

For replacement inserts use B220 Bearing Inserts, see page M-33.

† Dimensions shown are for reference only.

Certified prints are available upon request

CALL: (605) 225-0360



FAX: (605) 225-0567

M-15

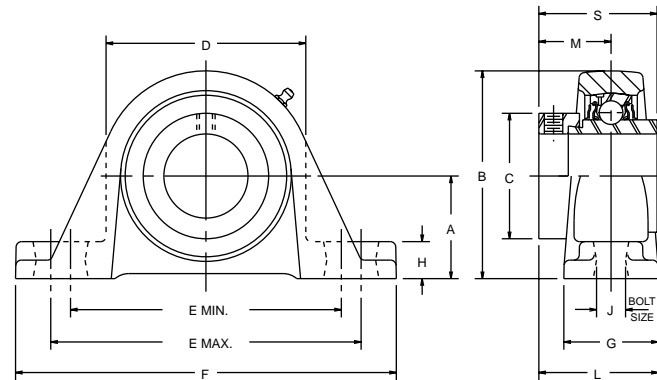
VISIT OUR WEB SITE AT [WWW.CLARKTR.COM](http://WWW.CLARKTR.COM)

HUB CITY INDUSTRIALINE™ BEARING UNITS

# Cast Iron Pillow Blocks

## Series PB220W, PB221W

- ◆ Relube type. Prelubricated at factory
- ◆ Eccentric locking collar
- ◆ Self-aligning replaceable bearing
- ◆ Nitrile rubber seals with steel trash guard
- ◆ Precision bored Cast Iron housing
- ◆ Wide inner race.



NOTE: BEARINGS WITH ECCENTRIC LOCKING COLLARS ARE NOT RECOMMENDED FOR USE IN REVERSING APPLICATIONS.

### PB220W Series – For Low Shaft Heights

Shaft Size	DIMENSIONS													Wt. Lbs.
	A	B	C	D	E		F	G	H	J	L	M	S	
					Min.	Max.								
3/4	1-1/4	2-1/2	1.273	2-1/4	3-1/4	4-1/8	5-1/8	1-3/8	1/2	3/8	1-47/64	1.047	1.720	1.8
1	1-5/16	2-5/8	1.460	2-1/2	3-1/2	4-1/2	5-1/2	1-1/2	1/2	3/8	1-13/16	1.059	1.748	2.3
1-1/8, 1-3/16	1-9/16	3-1/8	1.710	3	4-1/4	5-1/8	6-3/8	1-3/4	5/8	1/2	2-1/16	1.185	1.906	2.8
1-1/4, 1-3/8, 1-7/16	1-13/16	3-5/8	2.148	3-7/16	4-11/16	5-1/2	6-3/4	1-7/8	5/8	1/2	2-7/32	1.272	2.012	3.7
1-1/2	1-15/16	3-15/16	2.335	3-7/8	5-1/8	5-15/16	7-1/8	1-7/8	3/4	1/2	2-5/16	1.374	2.217	4.2
1-5/8, 1-11/16, 1-3/4	2-1/16	4-3/16	2.483	4-1/8	5-3/8	6-1/4	7-3/8	2	3/4	1/2	2-3/8	1.374	2.217	4.8
1-15/16	2-3/16	4-7/16	2.733	4-5/16	5-13/16	6-3/4	8-3/8	2	3/4	5/8	2-1/2	1.500	2.469	5.9
2, 2-3/16	2-7/16	4-15/16	2.983	4-3/4	6-7/16	7-3/8	9	2-1/4	7/8	5/8	2-27/32	1.717	2.811	8.3
2-7/16	2-11/16	5-1/2	3.296	5-1/4	6-3/4	8-1/8	9-5/8	2-1/2	1-1/8	5/8	3-3/32	1.838	3.063	10.9

Part Numbers are specified by "PB220W" and Bore Size; Example: PB220W x 1-7/16.

For Load Ratings, see page M-14. For Comparison Charts, see page M-42.

For replacement inserts use YW220 Bearing Inserts, see page M-34.

### PB221W Series – For High Shaft Heights

Shaft Size	DIMENSIONS													Wt. Lbs.
	A	B	C	D	E		F	G	H	J	L	M	S	
					Min.	Max.								
3/4	1-5/16	2-9/16	1.273	2-1/4	3-1/4	4-1/8	5-1/8	1-3/8	9/16	3/8	1-47/64	1.047	1.720	1.9
1	1-7/16	2-3/4	1.460	2-1/2	3-1/2	4-1/2	5-1/2	1-1/2	5/8	3/8	1-13/16	1.059	1.748	2.4
1-1/8, 1-3/16	1-11/16	3-1/4	1.710	3	4-1/4	5-1/8	6-3/8	1-3/4	3/4	1/2	2-1/16	1.185	1.906	2.9
1-1/4, 1-3/8, 1-7/16	1-7/8	3-11/16	2.148	3-7/16	4-11/16	5-1/2	6-3/4	1-7/8	11/16	1/2	2-7/32	1.272	2.012	4.1
1-1/2	2	4	2.335	3-7/8	5-1/8	5-15/16	7-1/8	1-7/8	13/16	1/2	2-5/16	1.374	2.217	4.3
1-5/8, 1-11/16, 1-3/4	2-1/8	4-1/4	2.483	4-1/8	5-3/8	6-1/4	7-3/8	2	13/16	1/2	2-3/8	1.374	2.217	4.9
1-15/16	2-1/4	4-1/2	2.733	4-5/16	5-13/16	6-3/4	8-3/8	2	13/16	5/8	2-1/2	1.500	2.469	6.1
2, 2-3/16	2-1/2	5	2.983	4-3/4	6-7/16	7-3/8	9	2-1/4	15/16	5/8	2-27/32	1.717	2.811	9.0
2-7/16	2-3/4	5-9/16	3.296	5-1/4	6-3/4	8-1/8	9-5/8	2-1/2	1-3/16	5/8	3-3/32	1.838	3.063	11.1

Part Numbers are specified by "PB221W" and Bore Size; Example: PB221W x 1-1/2.

For Load Ratings, see page M-14. For Comparison Charts, see page M-42.

For replacement inserts use YW220 Bearing Inserts, see page M-34.

†† Dimensions shown are for reference only.

Certified prints are available upon request

M-16

CALL: (605) 225-0360



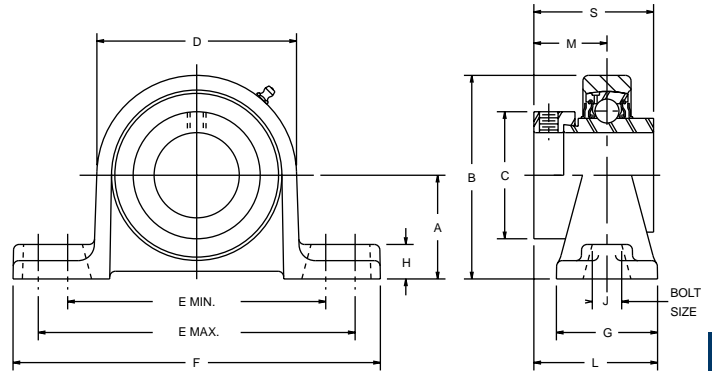
FAX: (605) 225-0567

VISIT OUR WEB SITE AT [WWW.CLARKTR.COM](http://WWW.CLARKTR.COM)

# HUB-ALLOY® Pillow Blocks

## Series PB220HW, PB221HW

- ◆ Relube type. Prelubricated at factory
- ◆ Eccentric locking collar
- ◆ Self-aligning replaceable bearing
- ◆ Nitrile rubber seals with steel trash guard
- ◆ Precision bored HUB-ALLOY® housing
- ◆ Higher strength and greater impact resistance than gray iron for high shock loads
- ◆ Wide inner race



NOTE: BEARINGS WITH ECCENTRIC LOCKING COLLARS ARE NOT RECOMMENDED FOR USE IN REVERSING APPLICATIONS.

### PB220HW Series – For Low Shaft Heights

Shaft Size	DIMENSIONS													Wt. Lbs.
	A	B	C	D	E		F	G	H	J	L	M	S	
					Min.	Max.								
3/4	1-1/4	2-15/32	1.273	2-1/4	3-5/16	4-3/16	5	1-3/8	7/16	3/8	1-47/64	1.047	1.720	1.3
1	1-5/16	2-5/8	1.460	2-1/2	3-5/8	4-1/2	5-3/8	1-1/2	1/2	3/8	1-13/16	1.059	1.748	1.6
1-1/8, 1-3/16	1-9/16	3-3/32	1.710	2-15/16	4-1/4	5-1/8	6-1/16	1-1/2	9/16	1/2	1-15/16	1.185	1.906	2.5
1-1/4, 1-3/8, 1-7/16	1-13/16	3-17/32	2.148	3-3/8	4-5/8	5-1/2	6-7/16	1-3/4	9/16	1/2	2-9/64	1.272	2.012	3.2
1-1/2	1-15/16	3-13/16	2.335	3-3/4	4-15/16	5-13/16	6-7/8	1-3/4	5/8	1/2	2-1/4	1.374	2.217	3.6
1-5/8, 1-11/16, 1-3/4	2-1/16	4-1/16	2.483	4	5-5/16	6-3/16	7-1/4	1-7/8	3/4	1/2	2-5/16	1.374	2.217	4.3
1-15/16	2-3/16	4-5/16	2.733	4-1/4	5-13/16	6-11/16	7-7/8	2-1/8	3/4	5/8	2-9/16	1.500	2.469	5.3
2, 2-3/16	2-7/16	4-25/32	2.983	4-11/16	6-1/16	7-7/16	8-5/8	2-3/8	13/16	5/8	2-29/32	1.717	2.811	6.8
2-7/16	2-11/16	5-9/32	3.296	5-3/16	6-15/16	8-1/16	9-1/4	2-3/8	7/8	5/8	3-1/32	1.838	3.063	9.1

Part Numbers are specified by "PB220HW" and Bore Size; Example: PB220HW x 1-7/16.

For Load Ratings, see page M-14. For Comparison Charts, see page M-43.

For replacement inserts use YW220 Bearing Inserts, see page M-34.

### PB221HW Series – For High Shaft Heights

Shaft Size	DIMENSIONS													Wt. Lbs.
	A	B	C	D	E		F	G	H	J	L	M	S	
					Min.	Max.								
3/4	1-5/16	2-17/32	1.273	2-1/4	3-5/16	4-3/16	5	1-3/8	1/2	3/8	1-47/64	1.047	1.720	1.4
1	1-7/16	2-3/4	1.460	2-1/2	3-5/8	4-1/2	5-3/8	1-1/2	5/8	3/8	1-13/16	1.059	1.748	1.9
1-1/8, 1-3/16	1-11/16	3-7/32	1.710	2-15/16	4-1/4	5-1/8	6-1/16	1-1/2	11/16	1/2	1-15/16	1.185	1.906	2.6
1-1/4, 1-3/8, 1-7/16	1-7/8	3-19/32	2.148	3-3/8	4-5/8	5-1/2	6-7/16	1-3/4	5/8	1/2	2-9/64	1.272	2.012	3.3
1-1/2	2	3-7/8	2.335	3-3/4	4-15/16	5-13/16	6-7/8	1-3/4	11/16	1/2	2-1/4	1.374	2.217	3.9
1-5/8, 1-11/16, 1-3/4	2-1/8	4-1/4	2.483	4	5-5/16	6-3/16	7-1/4	1-7/8	13/16	1/2	2-5/16	1.374	2.217	4.6
1-15/16	2-1/4	4-3/8	2.733	4-1/4	5-13/16	6-11/16	7-7/8	2-1/8	13/16	5/8	2-9/16	1.500	2.469	5.6
2, 2-3/16	2-1/2	4-27/32	2.983	4-11/16	6-1/16	7-7/16	8-5/8	2-3/8	7/8	5/8	2-29/32	1.717	2.811	6.8
2-7/16	2-3/4	5-11/32	3.296	5-3/16	6-15/16	8-1/16	9-1/4	2-3/8	15/16	5/8	3-1/32	1.838	3.063	9.6

Part Numbers are specified by "PB221HW" and Bore Size; Example: PB221HW x 1-1/2.

For Load Ratings, see page M-14. For Comparison Charts, see page M-43.

For replacement inserts use YW220 Bearing Inserts, see page M-34.

† Dimensions shown are for reference only.

Certified prints are available upon request

CALL: (605) 225-0360



FAX: (605) 225-0567

M-17

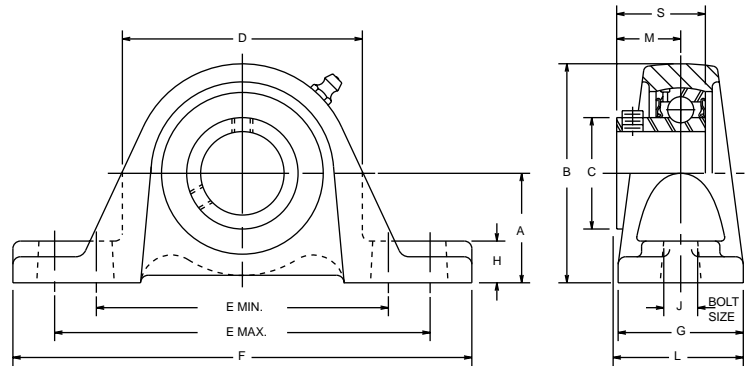
VISIT OUR WEB SITE AT [WWW.CLARKTR.COM](http://WWW.CLARKTR.COM)

HUB CITY INDUSTRIALINE™ BEARING UNITS

# Cast Iron and Nickel Plated Pillow Blocks

## Series PB250, PB251 - Series PB250N, PB251N (Cast Iron) (Nickel Plated)

- ◆ Relube type. Prelubricated at factory
- ◆ Setscrew locking
- ◆ Self-aligning replaceable bearing
- ◆ Nitrile rubber seals with steel trash guard
- ◆ Precision bored Cast Iron housing
- ◆ All sizes available with Nickel Plating



### PB250 Series – For Low Shaft Heights PB250N Series – Nickel Plated

Shaft Size	DIMENSIONS													Wt. Lbs.
	A	B	C	D	E		F	G	H	J	L	M	S	
					Min.	Max.								
1/2, 5/8	1-1/16	2-1/8	.953	1-15/16	3	3-15/16	4-7/8	1-1/4	1/2	3/8	1-19/64	.675	.886	1.2
3/4	1-1/4	2-1/2	1.110	2-1/4	3-1/4	4-1/8	5-1/8	1-3/8	1/2	3/8	1-13/32	.720	1.004	1.8
7/8, 15/16, 1	1-5/16	2-5/8	1.328	2-1/2	3-1/2	4-1/2	5-1/2	1-1/2	1/2	3/8	1-33/64	.768	1.071	2.3
1-1/8, 1-3/16, 1-1/4S	1-9/16	3-1/8	1.563	3	4-1/4	5-1/8	6-3/8	1-3/4	5/8	1/2	1-47/64	.866	1.220	2.8
1-1/4, 1-5/16, 1-3/8, 1-7/16	1-13/16	3-5/8	1.815	3-7/16	4-11/16	5-1/2	6-3/4	1-7/8	5/8	1/2	1-15/16	1.004	1.378	3.6
1-1/2	1-15/16	3-15/16	2.039	3-7/8	5-1/8	5-15/16	7-1/8	1-7/8	3/4	1/2	2-1/16	1.122	1.575	4.5
1-5/8, 1-11/16, 1-3/4	2-1/16	4-3/16	2.236	4-1/8	5-3/8	6-1/4	7-3/8	2	3/4	1/2	2-13/64	1.201	1.634	5.1
1-15/16, 2S	2-3/16	4-7/16	2.461	4-5/16	5-13/16	6-3/4	8-3/8	2	3/4	5/8	2-17/64	1.260	1.693	6.0
2, 2-3/16	2-7/16	4-15/16	2.719	4-3/4	6-7/16	7-3/8	9	2-1/4	7/8	5/8	2-13/32	1.280	1.772	8.2
2-1/4, 2-7/16	2-11/16	5-1/2	2.978	5-1/4	6-3/4	8-1/8	9-5/8	2-1/2	1-1/8	5/8	2-5/8	1.378	1.909	10.9
2-15/16	3-1/4	6-1/2	3.624	6-1/4	7-7/8	9-5/8	11-1/4	3	1-1/8	3/4	3-1/32	1.535	2.106	16.9

Part Numbers are specified by "PB250" and Bore Size.

For Load Ratings, see page M-14. For Comparison Charts, see page M-42.

Example: PB250 x 1-11/16 or PB250N x 1-11/16 for Nickel Plated.

For replacement inserts use B250 Bearing Inserts, see page M-33.

### PB251 Series – For High Shaft Heights PB251N Series – Nickel Plated

Shaft Size	DIMENSIONS													Wt. Lbs.
	A	B	C	D	E		F	G	H	J	L	M	S	
					Min.	Max.								
1/2, 5/8	1-3/16	2-1/4	.953	1-15/16	3	3-15/16	4-7/8	1-1/4	5/8	3/8	1-19/64	.675	.886	1.3
3/4	1-5/16	2-9/16	1.110	2-1/4	3-1/4	4-1/8	5-1/8	1-3/8	9/16	3/8	1-13/32	.720	1.004	1.9
7/8, 15/16, 1	1-7/16	2-3/4	1.328	2-1/2	3-1/2	4-1/2	5-1/2	1-1/2	5/8	3/8	1-33/64	.768	1.071	2.4
1-1/8, 1-3/16, 1-1/4S	1-11/16	3-1/4	1.563	3	4-1/4	5-1/8	6-3/8	1-3/4	3/4	1/2	1-47/64	.866	1.220	2.9
1-1/4, 1-5/16, 1-3/8, 1-7/16	1-7/8	3-11/16	1.815	3-7/16	4-11/16	5-1/2	6-3/4	1-7/8	11/16	1/2	1-15/16	1.004	1.378	4.0
1-1/2	2, 2-1/8*	4	2.039	3-7/8	5-1/8	5-15/16	7-1/8	1-7/8	13/16	1/2	2-1/16	1.122	1.575	4.6
1-5/8, 1-11/16, 1-3/4	2-1/8	4-1/4	2.236	4-1/8	5-3/8	6-1/4	7-3/8	2	13/16	1/2	2-13/64	1.201	1.634	5.2
1-15/16, 2S	2-1/4	4-1/2	2.461	4-5/16	5-13/16	6-3/4	8-3/8	2	13/16	5/8	2-17/64	1.260	1.693	6.2
2, 2-3/16	2-1/2	5	2.719	4-3/4	6-7/16	7-3/8	9	2-1/4	15/16	5/8	2-13/32	1.280	1.772	8.4
2-1/4, 2-7/16	2-3/4	5-9/16	2.978	5-1/4	6-3/4	8-1/8	9-5/8	2-1/2	1-3/16	5/8	2-5/8	1.378	1.909	11.1
2-15/16	3-5/16	6-1/2	3.624	6-1/4	7-7/8	9-5/8	11-1/4	3	1-3/16	3/4	3-1/32	1.535	2.106	17.1

Part Numbers are specified by "PB251" and Bore Size. Example: PB251 x 1-5/8 or PB251N x 1-5/16 for Nickel Plated.

For replacement inserts use B250 Bearing Inserts, see page M-33.

For Load Ratings, see page M-14. For Comparison Charts, see page M-42.

\* PB251 x 1-1/2 with 2-1/8" "A" dimension available as special.

† Dimensions shown are for reference only.

Certified prints are available upon request

M-18

CALL: (605) 225-0360



FAX: (605) 225-0567

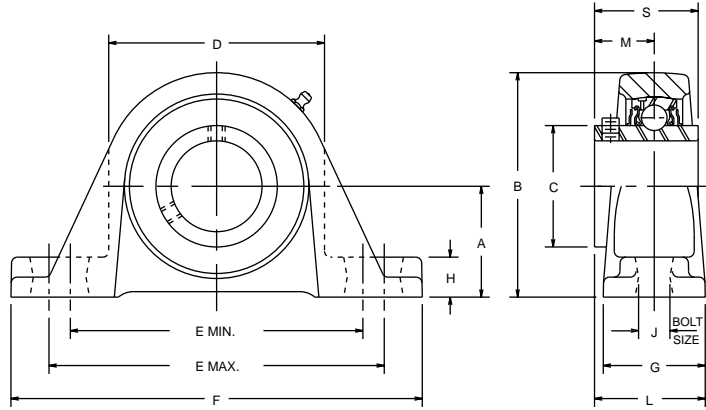
VISIT OUR WEB SITE AT WWW.CLARKTR.COM



# Cast Iron Pillow Blocks

## Series PB250W, PB251W

- ◆ Relube type. Prelubricated at factory
- ◆ Setscrew locking
- ◆ Self-aligning replaceable bearing
- ◆ Nitrile rubber seals with steel trash guard
- ◆ Precision bored Cast Iron housing
- ◆ Wide inner race



### PB250W Series – For Low Shaft Heights

Shaft Size	DIMENSIONS													Wt. Lbs.
	A	B	C	D	E		F	G	H	J	L	M	S	
					Min.	Max.								
5/8	1-1/16	2-1/8	.953	1-15/16	3	3-15/16	4-7/8	1-1/4	1/2	3/8	1-17/64	.670	1.079	1.2
3/4	1-1/4	2-1/2	1.110	2-1/4	3-1/4	4-1/8	5-1/8	1-3/8	1/2	3/8	1-13/32	.720	1.220	1.8
7/8, 15/16, 1	1-5/16	2-5/8	1.328	2-1/2	3-1/2	4-1/2	5-1/2	1-1/2	1/2	3/8	1-17/32	.780	1.343	2.3
1-1/8, 1-3/16, 1-1/4S	1-9/16	3-1/8	1.563	3	4-1/4	5-1/8	6-3/8	1-3/4	5/8	1/2	1-3/4	.874	1.500	2.8
1-1/4, 1-7/16	1-13/16	3-5/8	1.815	3-7/16	4-11/16	5-1/2	6-3/4	1-7/8	5/8	1/2	1-15/16	1.000	1.689	3.5
1-1/2	1-15/16	3-15/16	2.039	3-7/8	5-1/8	5-15/16	7-1/8	1-7/8	3/4	1/2	2-1/8	1.189	1.937	4.5
1-3/4	2-1/16	4-3/16	2.236	4-1/8	5-3/8	6-1/4	7-3/8	2	3/4	1/2	2-3/16	1.189	1.937	5.1
1-15/16	2-3/16	4-7/16	2.461	4-5/16	5-13/16	6-3/4	8-3/8	2	3/4	5/8	2-9/32	1.283	2.031	6.0
2	2-7/16	4-15/16	2.719	4-3/4	6-7/16	7-3/8	9	2-1/4	7/8	5/8	2-7/16	1.315	2.189	8.2
2-1/4, 2-7/16	2-11/16	5-1/2	2.978	5-1/4	6-3/4	8-1/8	9-5/8	2-1/2	1-1/8	5/8	2-13/16	1.566	2.566	10.9

Part Numbers are specified by "PB250W" and Bore Size. Example: PB250W x 1-11/16.

For Load Ratings, see page M-14. For Comparison Charts, see page M-42.

For replacement inserts use YW250 Bearing Inserts, see page M-34.

### PB251W Series – For High Shaft Heights

Shaft Size	DIMENSIONS													Wt. Lbs.
	A	B	C	D	E		F	G	H	J	L	M	S	
					Min.	Max.								
5/8	1-3/16	2-1/4	.953	1-15/16	3	3-15/16	4-7/8	1-1/4	5/8	3/8	1-17/64	.670	1.079	1.3
3/4	1-5/16	2-9/16	1.110	2-1/4	3-1/4	4-1/8	5-1/8	1-3/8	9/16	3/8	1-13/32	.720	1.220	1.9
7/8, 15/16, 1	1-7/16	2-3/4	1.328	2-1/2	3-1/2	4-1/2	5-1/2	1-1/2	5/8	3/8	1-17/32	.780	1.343	2.4
1-1/8, 1-3/16, 1-1/4S	1-11/16	3-1/4	1.563	3	4-1/4	5-1/8	6-3/8	1-3/4	3/4	1/2	1-3/4	.874	1.500	2.9
1-1/4, 1-7/16	1-7/8	3-11/16	1.815	3-7/16	4-11/16	5-1/2	6-3/4	1-7/8	11/16	1/2	1-15/16	1.000	1.689	4.0
1-1/2	2, 2-1/8*	4	2.039	3-7/8	5-1/8	5-15/16	7-1/8	1-7/8	13/16	1/2	2-1/8	1.189	1.937	4.6
1-3/4	2-1/8	4-1/4	2.236	4-1/8	5-3/8	6-1/4	7-3/8	2	13/16	1/2	2-3/16	1.189	1.937	5.2
1-15/16	2-1/4	4-1/2	2.461	4-5/16	5-13/16	6-3/4	8-3/8	2	13/16	5/8	2-9/32	1.283	2.031	6.2
2	2-1/2	5	2.719	4-3/4	6-7/16	7-3/8	9	2-1/4	15/16	5/8	2-7/16	1.315	2.189	8.4
2-1/4, 2-7/16	2-3/4	5-9/16	2.978	5-1/4	6-3/4	8-1/8	9-5/8	2-1/2	1-3/16	5/8	2-13/16	1.566	2.566	11.1

Part Numbers are specified by "PB251W" and Bore Size. Example: PB251W x 1-5/8.

For Load Ratings, see page M-14. For Comparison Charts, see page M-42.

For replacement inserts use YW250 Bearing Inserts, see page M-34.

\* PB251W x 1-1/2 with 2-1/8" "A" dimension available as special.

† Dimensions shown are for reference only.

Certified prints are available upon request

CALL: (605) 225-0360



FAX: (605) 225-0567

M-19

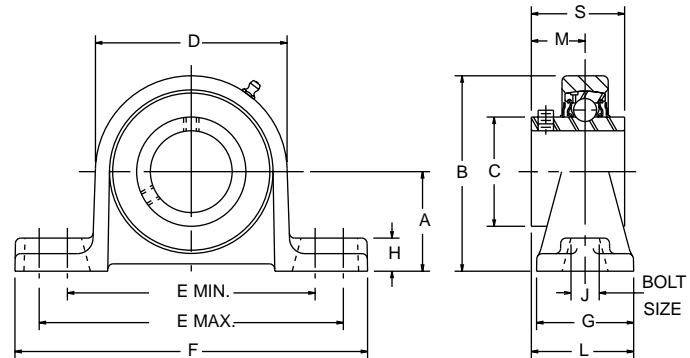
VISIT OUR WEB SITE AT [WWW.CLARKTR.COM](http://WWW.CLARKTR.COM)

HUB CITY INDUSTRIALINE™ BEARING UNITS

# HUB-ALLOY® Pillow Blocks

## Series PB250HW, PB251HW

- ◆ Relube type. Prelubricated at factory
- ◆ Setscrew locking
- ◆ Self-aligning replaceable bearing
- ◆ Nitrile rubber seals with steel trash guard
- ◆ Precision bored HUB-ALLOY® housing
- ◆ Higher strength and greater impact resistance than gray iron for high shock loads
- ◆ Wide inner race



### PB250HW Series - For Low Shaft Heights

Shaft Size	DIMENSIONS													Wt. Lbs.
	A	B	C	D	E		F	G	H	J	L	M	S	
					Min.	Max.								
5/8	1-1/16	2-5/23	.953	1-15/16	2-15/16	3-13/16	4-5/8	1-3/16	7/16	3/8	1-15/64	.646	1.079	.8
3/4	1-1/4	2-15/32	1.110	2-1/4	3-5/16	4-3/16	5	1-3/8	7/16	3/8	1-13/32	.720	1.220	1.0
7/8, 15/16, 1	1-5/16	2-5/8	1.328	2-1/2	3-5/8	4-1/2	5-3/8	1-1/2	1/2	3/8	1-17/32	.780	1.343	1.6
1-1/8, 1-3/16, 1-1/4S	1-9/16	3-3/32	1.563	2-15/16	4-1/4	5-1/8	6-1/16	1-1/2	9/16	1/2	1-5/8	.874	1.500	2.1
1-1/4, 1-7/16	1-13/16	3-17/32	1.815	3-3/8	4-5/8	5-1/2	6-7/16	1-3/4	9/16	1/2	1-7/8	1.000	1.689	2.9
1-1/2	1-15/16	3-13/16	2.039	3-3/4	4-15/16	5-13/16	6-7/8	1-3/4	5/8	1/2	2-1/16	1.189	1.937	3.5
1-3/4	2-1/16	4-1/16	2.236	4	5-5/16	6-3/16	7-1/4	1-7/8	3/4	1/2	2-1/8	1.189	1.937	4.2
1-15/16	2-3/16	4-5/16	2.461	4-1/4	5-13/16	6-11/16	7-7/8	2-1/8	3/4	5/8	2-11/32	1.283	2.031	5.1
2	2-7/16	4-25/32	2.719	4-11/16	6-1/16	7-7/16	8-5/8	2-3/8	13/16	5/8	2-1/2	1.315	2.189	6.1
2-1/4, 2-7/16	2-11/16	5-9/32	2.978	5-3/16	6-15/16	8-1/16	9-1/4	2-3/8	7/8	5/8	2-3/4	1.566	2.566	9.4

Part Numbers are specified by "PB250HW" and Bore Size. Example: PB250HW x 1 11/16.  
For replacement inserts use YW250 Bearing Inserts, see page M-34.

For Load Ratings, see page M-14. For Comparison Charts, see page M-42.

### PB251HW Series - For High Shaft Heights

Shaft Size	DIMENSIONS													Wt. Lbs.
	A	B	C	D	E		F	G	H	J	L	M	S	
					Min.	Max.								
5/8	1-3/16	2-9/32	.953	1-15/16	2-15/16	3-13/16	4-5/8	1-3/16	9/16	3/8	1-15/64	.646	1.079	.9
3/4	1-5/16	2-17/32	1.110	2-1/4	3-5/16	4-3/16	5	1-3/8	1/2	3/8	1-13/32	.720	1.220	1.1
7/8, 15/16, 1	1-7/16	2-3/4	1.328	2-1/2	3-5/8	4-1/2	5-3/8	1-1/2	5/8	3/8	1-17/32	.780	1.343	1.7
1-1/8, 1-3/16, 1-1/4S	1-11/16	3-7/32	1.563	2-15/16	4-1/4	5-1/8	6-1/16	1-1/2	11/16	1/2	1-5/8	.874	1.500	2.5
1-1/4, 1-7/16	1-7/8	3-19/32	1.815	3-3/8	4-5/8	5-1/2	6-7/16	1-3/4	5/8	1/2	1-7/8	1.000	1.689	2.9
1-1/2	2	3-7/8	2.039	3-3/4	4-15/16	5-13/16	6-7/8	1-3/4	11/16	1/2	2-1/16	1.189	1.937	3.6
1-3/4	2-1/8	4-1/8	2.236	4	5-5/16	6-3/16	7-1/4	1-7/8	13/16	1/2	2-1/8	1.189	1.937	4.2
1-15/16	2-1/4	4-3/8	2.461	4-1/4	5-13/16	6-11/16	7-7/8	2-1/8	13/16	5/8	2-11/32	1.283	2.031	5.2
2	2-1/2	4-27/32	2.719	4-11/16	6-1/16	7-7/16	8-5/8	2-3/8	7/8	5/8	2-1/2	1.315	2.189	6.1
2-1/4, 2-7/16	2-3/4	5-11/32	2.978	5-3/16	6-15/16	8-1/16	9-1/4	2-3/8	15/16	5/8	2-3/4	1.566	2.566	9.4

Part Numbers are specified by "PB251HW" and Bore Size.

Example: PB251HW x 1 5/8.

For Load Ratings, see page M-14. For Comparison Charts, see page M-42.

For replacement inserts use YW250 Bearing Inserts, see page M-34.

¶ Dimensions shown are for reference only.

Certified prints are available upon request

M-20

CALL: (605) 225-0360



FAX: (605) 225-0567

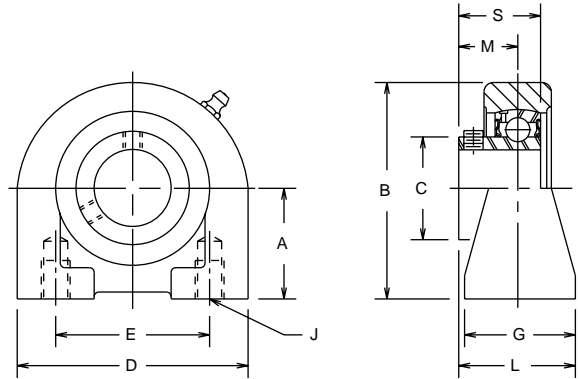
VISIT OUR WEB SITE AT WWW.CLARKTR.COM

# Cast Iron Tapped Base Pillow Blocks

## Series TPB250, TPB250W

### TPB250 Series

- ◆ Relube type. Prelubricated at factory
- ◆ Setscrew locking
- ◆ Self-aligning replaceable bearing
- ◆ Nitrile rubber seals with steel trash guard
- ◆ Precision bored Cast Iron housing
- ◆ Space saving tapped base design

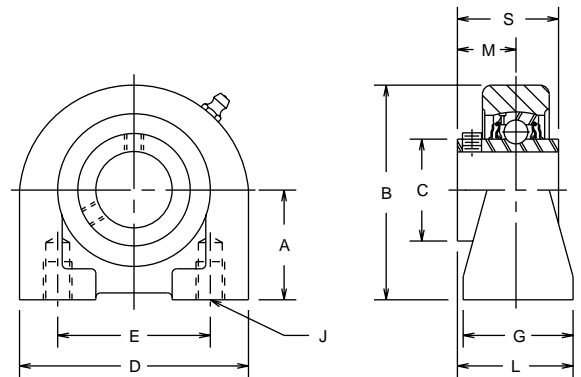


Shaft Size	DIMENSIONS										Wt. Lbs.
	A	B	C	D	E	G	J – Tapped Holes	L	M	S	
1/2, 5/8	1-5/16	2-9/16	.953	2-7/8	2	1-1/2	3/8 - 16 NC x 1/2	1-13/32	.650	.886	.8
3/4	1-5/16	2-9/16	1.110	2-7/8	2	1-1/2	3/8 - 16 NC x 1/2	1-15/32	.720	1.004	.9
7/8, 15/16, 1	1-7/16	2-13/16	1.328	3	2	1-1/2	3/8 - 16 NC x 1/2	1-33/64	.768	1.071	1.4
1-1/8, 1-3/16, 1-1/4S	1-11/16	3-3/8	1.563	4	3	1-1/2	7/16 - 14 NC x 11/16	1-39/64	.866	1.220	2.0
1-1/4, 1-5/16, 1-3/8, 1-7/16	1-7/8	3-3/4	1.815	4-1/4	3-1/4	1-7/8	1/2 - 13 NC x 3/4	1-15/16	1.004	1.378	2.6
1-1/2	1-15/16	3-15/16	2.039	4-5/8	3-1/2	1-7/8	1/2 - 13 NC x 3/4	2-1/16	1.122	1.575	3.5
1-5/8, 1-11/16, 1-3/4	2-1/8	4-1/4	2.236	5	3-3/4	2	1/2 - 13 NC x 3/4	2-13/64	1.201	1.634	4.9
1-15/16, 2S	2-1/4	4-5/8	2.461	5-1/2	4	2	5/8 - 11 NC x 7/8	2-17/64	1.260	1.693	5.1
2, 2-3/16	2-1/4	4-5/8	2.719	5-1/2	4	2	5/8 - 11 NC x 7/8	2-9/32	1.280	1.772	5.2

Part Numbers are specified by "TPB250" and Bore Size. Example: TPB250 x 5/8.  
 For Load Ratings, see page M-14. For Comparison Charts, see page M-41.  
 For replacement inserts use B250 Bearing Inserts, see page M-33.

### TPB250W Series

- ◆ Relube type. Prelubricated at factory
- ◆ Setscrew locking
- ◆ Self-aligning replaceable bearing
- ◆ Nitrile rubber seals with steel trash guard
- ◆ Precision bored Cast Iron housing
- ◆ Space saving tapped base design
- ◆ Wide inner race



Shaft Size	DIMENSIONS										Wt. Lbs.
	A	B	C	D	E	G	J – Tapped Holes	L	M	S	
5/8	1-5/16	2-9/16	.953	2-7/8	2	1-1/2	3/8 - 16 NC x 1/2	1-25/64	.646	1.079	.8
3/4	1-5/16	2-9/16	1.110	2-7/8	2	1-1/2	3/8 - 16 NC x 1/2	1-15/32	.720	1.220	.9
7/8, 15/16, 1	1-7/16	2-13/16	1.328	3	2	1-1/2	3/8 - 16 NC x 1/2	1-17/32	.780	1.343	1.5
1-1/8, 1-3/16, 1-1/4S	1-11/16	3-3/8	1.563	4	3	1-1/2	7/16 - 14 NC x 11/16	1-5/8	.874	1.500	2.1
1-1/4, 1-7/16	1-7/8	3-3/4	1.815	4-1/4	3-1/4	1-7/8	1/2 - 13 NC x 3/4	1-15/16	1.000	1.689	2.7
1-1/2	1-15/16	3-15/16	2.039	4-5/8	3-1/2	1-7/8	1/2 - 13 NC x 3/4	2-1/8	1.189	1.937	3.5
1-3/4	2-1/8	4-1/4	2.236	5	3-3/4	2	1/2 - 13 NC x 3/4	2-3/16	1.189	1.937	4.8
1-15/16	2-1/4	4-5/8	2.461	5-1/2	4	2	5/8 - 11 NC x 7/8	2-9/32	1.283	2.031	5.1
2	2-1/4	4-5/8	2.719	5-1/2	4	2	5/8 - 11 NC x 7/8	2-5/16	1.315	2.189	5.3

Part Numbers are specified by "TPB250W" and Bore Size. Example: TPB250W x 5/8.  
 For Load Ratings, see page M-14. For Comparison Charts, see page M-42.  
 For replacement inserts use YW250 Bearing Inserts, see page M-34.

¶ Dimensions shown are for reference only.

Certified prints are available upon request

CALL: (605) 225-0360



FAX: (605) 225-0567

M-21

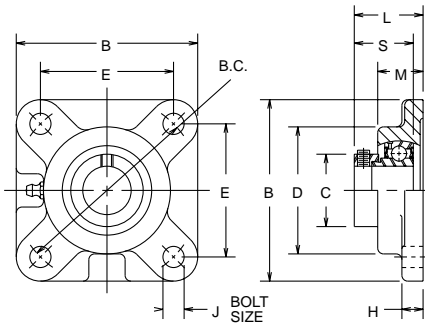
VISIT OUR WEB SITE AT [WWW.CLARKTR.COM](http://WWW.CLARKTR.COM)

HUB CITY INDUSTRIALINE™ BEARING UNITS

# Cast Iron Flange Blocks

## Series FB220, FB230 FB220 Four-Hole Flange Blocks

- ◆ Relube type. Prelubricated at factory
- ◆ Eccentric locking collar
- ◆ Self-aligning replaceable bearing
- ◆ Nitrile rubber seals with steel trash guard
- ◆ Precision bored Cast Iron housing



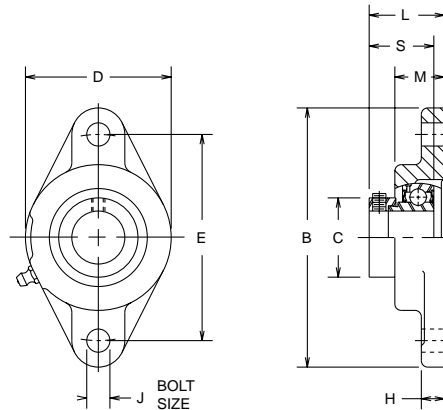
Shaft Size	DIMENSIONS										Wt. Lbs.
	B	B.C.	C	D	E	H	J	L	M	S	
1/2, 5/8	3	3	1.101	2	2-1/8	15/32	3/8	1-25/64	27/32	1.126	1.0
3/4	3-3/8	3-17/32	1.273	2-3/8	2-1/2	3/8	3/8	1-25/64	7/8	1.220	1.4
7/8, 1	3-3/4	3-57/64	1.460	2-5/8	2-3/4	7/16	7/16	1-27/64	15/16	1.220	1.8
1-1/8, 1-3/16, 1-1/4S	4-1/4	4-19/32	1.710	3-1/8	3-1/4	7/16	7/16	1-37/64	1	1.406	2.6
1-1/4, 1-3/8, 1-7/16	4-3/4	5-1/8	2.148	3-5/8	3-5/8	1/2	1/2	1-25/32	1-3/16	1.531	4.3
1-1/2	5-1/8	5-21/32	2.335	4	4	1/2	1/2	1-61/64	1-3/8	1.720	5.3
1-5/8, 1-11/16, 1-3/4	5-1/4	5-53/64	2.483	4-1/4	4-1/8	15/32	1/2	2	1-11/32	1.720	5.6
1-15/16	5-1/2	6-3/16	2.733	4-1/2	4-3/8	1/2	1/2	2-1/32	1-1/2	1.720	6.5
2, 2-3/16	6-1/2	7-1/4	2.983	5	5-1/8	5/8	5/8	2-3/16	1-1/2	1.911	9.1
2-7/16	7	7-15/16	3.296	5-1/2	5-5/8	5/8	5/8	2-7/16	1-3/4	2.091	11.9

Part Numbers are specified by "FB220" and Bore Size. Example: FB220 x 1/2.  
For Load Ratings, see page M-14. For Comparison Charts, see page M-43.  
For replacement inserts use B220 Bearing Inserts, see page M-33.

**NOTE: BEARINGS WITH ECCENTRIC LOCKING COLLARS ARE NOT RECOMMENDED FOR USE IN REVERSING APPLICATIONS.**

## FB230 Two-Hole Flange Blocks

- ◆ Relube type. Prelubricated at factory
- ◆ Eccentric locking collar
- ◆ Self-aligning replaceable bearing
- ◆ Nitrile rubber seals with steel trash guard
- ◆ Precision bored Cast Iron housing



Shaft Size	DIMENSIONS									Wt. Lbs.
	B	C	D	E	H	J	L	M	S	
1/2, 5/8	3-7/8	1.101	2-9/32	3	15/32	3/8	1-25/64	27/32	1.126	.8
3/4	4-13/32	1.273	2-35/64	3-17/32	3/8	3/8	1-25/64	7/8	1.220	1.0
7/8, 1	4-57/64	1.460	2-3/4	3-57/64	7/16	7/16	1-27/64	15/16	1.220	1.5
1-1/8, 1-3/16, 1-1/4S	5-9/16	1.710	3-1/4	4-19/32	13/32	7/16	1-9/16	15/16	1.406	1.9
1-1/4, 1-3/8, 1-7/16	6-7/32	2.148	3-3/4	5-1/8	15/32	1/2	1-3/4	1-11/16	1.531	3.1
1-1/2	6-25/32	2.335	4-1/8	5-21/32	1/2	1/2	1-61/64	1-3/8	1.720	3.7
1-5/8, 1-11/16, 1-3/4	6-61/64	2.483	4-27/64	5-53/64	1/2	1/2	2-1/32	1-1/2	1.720	4.3
1-15/16	7-5/16	2.733	4-39/64	6-3/16	1/2	1/2	2-1/32	1-1/2	1.720	4.8
2, 2-3/16	8-5/8	2.983	5	7-1/4	5/8	5/8	2-3/16	1-1/2	1.911	6.5

Part Numbers are specified by "FB230" and Bore Size. Example: FB230 x 7/8.  
For Load Ratings, see page M-14. For Comparison Charts, see page M-43.  
For replacement inserts use B220 Bearing Inserts, see page M-33.

**NOTE: BEARINGS WITH ECCENTRIC LOCKING COLLARS ARE NOT RECOMMENDED FOR USE IN REVERSING APPLICATIONS.**

¶ Dimensions shown are for reference only.

Certified prints are available upon request

M-22

CALL: (605) 225-0360



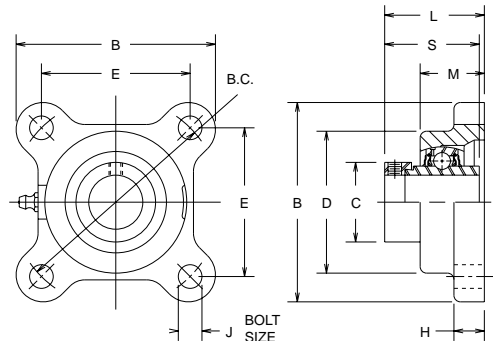
FAX: (605) 225-0567

VISIT OUR WEB SITE AT [WWW.CLARKTR.COM](http://WWW.CLARKTR.COM)

# HUB-ALLOY® Flange Blocks

## Series FB220HW, FB230HW FB220HW Four-Hole Flange Blocks

- ◆ Relube type. Prelubricated at factory
- ◆ Eccentric locking collar
- ◆ Self-aligning replaceable bearing
- ◆ Nitrile rubber seals with steel trash guard
- ◆ Precision bored HUB-ALLOY® housing
- ◆ Higher strength and greater impact resistance than gray iron for high shock loads
- ◆ Wide inner race



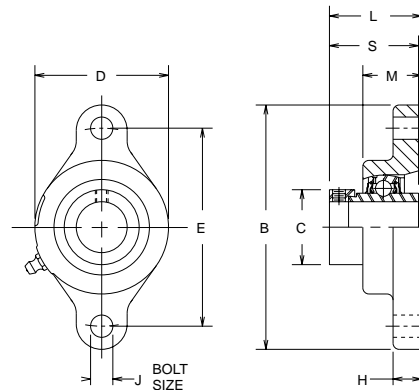
Shaft Size	DIMENSIONS										Wt. Lbs.
	B	B.C.	C	D	E	H	J	L	M	S	
3/4	3-5/16	3-17/32	1.273	2-5/16	2-1/2	7/16	3/8	1-51/64	1-1/8	1.720	1.1
1	3-11/16	3-57/64	1.460	2-5/8	2-3/4	9/16	7/16	1-27/32	1-3/16	1.748	1.5
1-1/8, 1-3/16	4-3/16	4-19/32	1.710	3	3-1/4	5/8	7/16	1-63/64	1-3/16	1.906	2.2
1-1/4, 1-3/8, 1-7/16	4-11/16	5-1/8	2.148	3-1/2	3-5/8	21/32	1/2	2-5/64	1-1/4	2.012	3.1
1-1/2	5-1/16	5-21/32	2.335	3-7/8	4	11/16	1/2	2-5/16	1-7/16	2.217	3.7
1-5/8, 1-11/16, 1-3/4	5-1/4	5-53/64	2.483	4-1/8	4-1/8	11/16	1/2	2-5/16	1-7/16	2.217	4.1
1-15/16	5-1/2	6-3/16	2.733	4-3/8	4-3/8	23/32	1/2	2-19/32	1-19/32	2.469	4.7
2, 2-3/16	6-3/8	7-1/4	2.983	4-3/4	5-1/8	25/32	5/8	2-15/16	1-25/32	2.811	6.2
2-7/16	6-7/8	7-15/16	3.296	5-5/16	5-5/8	13/16	5/8	3-3/16	1-15/16	3.063	8.4

Part Numbers are specified by "FB220HW" and Bore Size. Example: FB220HW x 3/4.  
For Load Ratings, see page M-14. For Comparison Charts, see page M-43.  
For replacement inserts use YW220 Bearing Inserts, see page M-34.

**NOTE: BEARINGS WITH ECCENTRIC LOCKING COLLARS ARE NOT RECOMMENDED FOR USE IN REVERSING APPLICATIONS.**

## FB230HW Two-Hole Flange Blocks

- ◆ Relube type. Prelubricated at factory
- ◆ Eccentric locking collar
- ◆ Self-aligning replaceable bearing
- ◆ Nitrile rubber seals with steel trash guard
- ◆ Precision bored HUB-ALLOY® housing
- ◆ Higher strength and greater impact resistance than gray iron for high shock loads
- ◆ Wide inner race



Shaft Size	DIMENSIONS									Wt. Lbs.
	B	C	D	E	H	J	L	M	S	
3/4	4-11/12	1.273	2-5/16	3-17/32	7/16	3/8	1-51/64	1-1/8	1.720	1.0
1	4-53/64	1.460	2-5/8	3-57/64	9/16	7/16	1-13/16	1-5/32	1.748	1.3
1-1/8, 1-3/16	5-17/32	1.710	3	4-19/32	9/16	7/16	1-63/64	1-3/16	1.906	1.9
1-1/4, 1-3/8, 1-7/16	6-3/16	2.148	3-1/2	5-1/8	9/16	1/2	2-3/32	1-1/4	2.012	2.7
1-1/2	6-23/32	2.335	3-7/8	5-21/32	9/16	1/2	2-5/16	1-7/16	2.217	3.1
1-5/8, 1-11/16, 1-3/4	6-61/64	2.483	4-1/8	5-53/64	9/16	1/2	2-5/16	1-7/16	2.217	3.6
1-15/16	7-5/16	2.733	4-3/8	6-3/16	5/8	1/2	2-19/32	1-19/32	2.469	4.3
2, 2-3/16	8-1/2	2.983	4-3/4	7-1/4	25/32	5/8	2-15/16	1-25/32	2.811	5.3
2-7/16	9-11/16	3.296	5-5/16	7-15/16	13/16	3/4	3-3/16	1-15/16	3.063	7.6

Part Numbers are specified by "FB230HW" and Bore Size. Example: FB230HW x 7/8.  
For Load Ratings, see page M-14. For Comparison Charts, see page M-43.  
For replacement inserts use YW220 Bearing Inserts, see page M-34.

**NOTE: BEARINGS WITH ECCENTRIC LOCKING COLLARS ARE NOT RECOMMENDED FOR USE IN REVERSING APPLICATIONS.**

† Dimensions shown are for reference only.

Certified prints are available upon request

CALL: (605) 225-0360



FAX: (605) 225-0567

M-23

VISIT OUR WEB SITE AT [WWW.CLARKTR.COM](http://WWW.CLARKTR.COM)



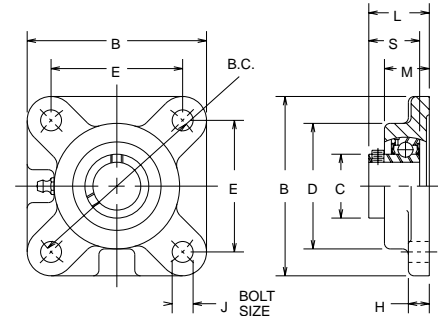
HUB CITY INDUSTRIALINE™ BEARING UNITS

# Cast Iron & Nickel Plated Flange Blocks

## Series FB250, FB260 - Series FB250N, FB260N (Cast Iron) (Nickel Plated)

### FB250, FB250N Four-Hole Flange Blocks

- ◆ Relube type. Prelubricated at factory
- ◆ Setscrew locking
- ◆ Self-aligning replaceable bearing
- ◆ Nitrile rubber seals with steel trash guard
- ◆ Precision bored Cast Iron housing
- ◆ All sizes available with Nickel Plating

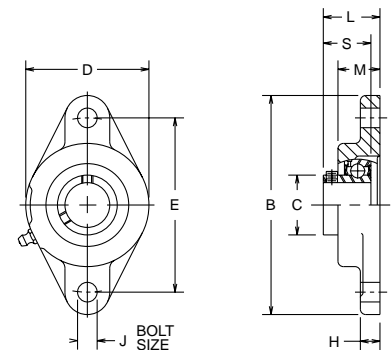


Shaft Size	DIMENSIONS										Wt. Lbs.
	B	B.C.	C	D	E	H	J	L	M	S	
1/2, 5/8	3	3	.953	2	2-1/8	15/32	3/8	1-5/32	27/32	.886	1.0
3/4	3-3/8	3-17/32	1.110	2-3/8	2-1/2	3/8	3/8	1-13/64	7/8	1.004	1.4
7/8, 15/16, 1	3-3/4	3-57/64	1.328	2-5/8	2-3/4	7/16	7/16	1-9/32	15/16	1.071	1.8
1-1/8, 1-3/16, 1-1/4S	4-1/4	4-19/32	1.563	3-1/8	3-1/4	7/16	7/16	1-13/32	1	1.220	2.6
1-1/4, 1-5/16, 1-3/8, 1-7/16	4-3/4	5-1/8	1.815	3-5/8	3-5/8	1/2	1/2	1-5/8	1-3/16	1.378	4.2
1-1/2	5-1/8	5-21/32	2.039	4	4	1/2	1/2	1-13/16	1-3/8	1.575	5.3
1-5/8, 1-11/16, 1-3/4	5-1/4	5-53/64	2.236	4-1/4	4-1/8	15/32	1/2	1-59/64	1-11/32	1.634	5.7
1-15/16, 2S	5-1/2	6-3/16	2.461	4-1/2	4-3/8	1/2	1/2	2	1-1/2	1.693	6.6
2, 2-3/16	6-1/2	7-1/4	2.719	5	5-1/8	5/8	5/8	2-1/32	1-1/2	1.772	9.0
2-1/4, 2-7/16	7	7-15/16	2.978	5-1/2	5-5/8	5/8	5/8	2-1/4	1-3/4	1.909	11.9
2-15/16	7-5/8	8-31/64	3.624	6-1/2	6	3/4	3/4	2-1/2	1-15/16	2.106	17.6

Part Numbers are specified by "FB250" and Bore Size. Example: FB250 x 3/4 or FB250N x 3/4 for Nickel Plated.  
For Load Ratings, see page M-14. For Comparison Charts, see page M-43.  
For replacement inserts use B250 Bearing Inserts, see page M-33.

### FB260, FB260N Two-Hole Flange Blocks

- ◆ Relube type. Prelubricated at factory
- ◆ Setscrew locking
- ◆ Self-aligning replaceable bearing
- ◆ Nitrile rubber seals with steel trash guard
- ◆ Precision bored Cast Iron housing
- ◆ All sizes available with Nickel Plating



Shaft Size	DIMENSIONS										Wt. Lbs.
	B	C	D	E	H	J	L	M	S		
1/2, 5/8	3-7/8	.953	2-9/32	3	15/32	3/8	1-5/32	27/32	.886	.8	
3/4	4-13/32	1.110	2-35/64	3-17/32	3/8	3/8	1-13/64	7/8	1.004	1.0	
7/8, 15/16, 1	4-57/64	1.328	2-3/4	3-57/64	7/16	7/16	1-9/32	15/16	1.071	1.4	
1-1/8, 1-3/16, 1-1/4S	5-9/16	1.563	3-1/4	4-19/32	13/32	7/16	1-3/8	15/16	1.220	1.9	
1-1/4, 1-5/16, 1-3/8, 1-7/16	6-7/32	1.815	3-3/4	5-1/8	15/32	1/2	1-19/32	1-11/16	1.378	2.9	
1-1/2	6-25/32	2.039	4-1/8	5-21/32	1/2	1/2	1-13/16	1-3/8	1.575	3.9	
1-5/8, 1-11/16, 1-3/4	6-61/64	2.236	4-27/64	5-53/64	1/2	1/2	1-61/64	1-1/2	1.634	4.5	
1-15/16, 2S	7-5/16	2.461	4-39/64	6-3/16	1/2	1/2	2	1-1/2	1.693	4.9	
2, 2-3/16	8-5/8	2.719	5	7-1/4	5/8	5/8	2-1/32	1-1/2	1.772	6.5	

Part Numbers are specified by "FB260" and Bore Size. Example: FB260 x 1-1/8 or FB260N x 1-1/8 for Nickel Plated.  
For Load Ratings, see page M-14. For Comparison Charts, see page M-43.  
For replacement inserts use B250 Bearing Inserts, see page M-33.

†† Dimensions shown are for reference only.

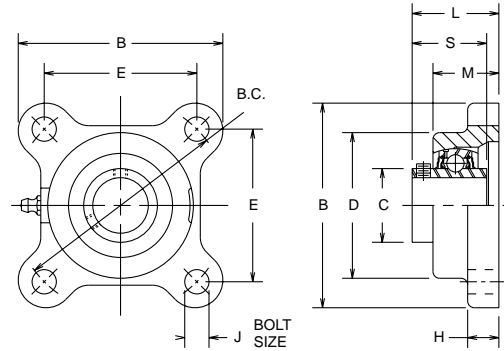
Certified prints are available upon request

# HUB-ALLOY® Flange Blocks

## Series FB250HW, FB260HW

### FB250HW Four-Hole Flange Blocks

- ◆ Relube type. Prelubricated at factory
- ◆ Setscrew locking
- ◆ Self-aligning replaceable bearing
- ◆ Nitrile rubber seals with steel trash guard
- ◆ Precision bored HUB-ALLOY® housing
- ◆ Higher strength and greater impact resistance than gray iron for high shock loads
- ◆ Wide inner race

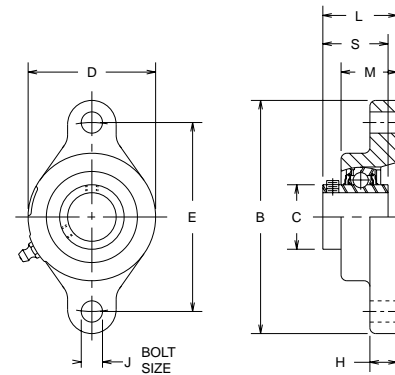


Shaft Size	DIMENSIONS										Wt. Lbs.
	B	B.C.	C	D	E	H	J	L	M	S	
5/8	2-15/16	3	.953	2	2-1/8	7/16	3/8	1-3/16	29/32	1.079	.7
3/4	3-5/16	3-17/32	1.110	2-5/16	2-1/2	7/16	3/8	1-15/32	1-1/8	1.220	.8
7/8, 15/16, 1	3-11/16	3-57/64	1.328	2-5/8	2-3/4	9/16	7/16	1-9/16	1-3/16	1.343	1.4
1-1/8, 1-3/16, 1-1/4S	4-3/16	4-19/32	1.563	3	3-1/4	5/8	7/16	1-43/64	1-3/16	1.500	2.0
1-1/4, 1-7/16	4-11/16	5-1/8	1.815	3-1/2	3-5/8	21/32	1/2	1-13/16	1-1/4	1.689	2.6
1-1/2	5-1/16	5-21/32	2.039	3-7/8	4	11/16	1/2	2-1/8	1-7/16	1.937	3.4
1-3/4	5-1/4	5-53/64	2.236	4-1/8	4-1/8	11/16	1/2	2-1/8	1-7/16	1.937	3.8
1-15/16	5-1/2	6-3/16	2.461	4-3/8	4-3/8	23/32	1/2	2-3/8	1-19/32	2.031	4.3
2	6-3/8	7-1/4	2.719	4-3/4	5-1/8	25/32	5/8	2-17/32	1-25/32	2.189	5.8
2-1/4, 2-7/16	6-7/8	7-15/16	2.978	5-5/16	5-5/8	13/16	5/8	2-29/32	1-15/16	2.566	8.1

Part Numbers are specified by "FB250HW" and Bore Size. Example: FB250HW x 3/4.  
 For Load Ratings, see page M-14. For Comparison Charts, see page M-43.  
 For replacement inserts use YW250 Bearing Inserts, see page M-34.

### FB260HW Two-Hole Flange Blocks

- ◆ Relube type. Prelubricated at factory
- ◆ Setscrew locking
- ◆ Self-aligning replaceable bearing
- ◆ Nitrile rubber seals with steel trash guard
- ◆ Precision bored HUB-ALLOY® housing
- ◆ Higher strength and greater impact resistance than gray iron for high shock loads
- ◆ Wide inner race



Shaft Size	DIMENSIONS									Wt. Lbs.
	B	C	D	E	H	J	L	M	S	
5/8	3-13/16	.953	1-15/16	3	7/16	3/8	1-3/16	29/32	1.079	.6
3/4	4-11/32	1.110	2-5/16	3-17/32	7/16	3/8	1-15/32	1-1/8	1.220	.7
7/8, 15/16, 1	4-53/64	1.328	2-5/8	3-57/64	9/16	7/16	1-17/32	1-5/32	1.343	1.1
1-1/8, 1-3/16, 1-1/4S	5-17/32	1.563	3	4-19/32	9/16	7/16	1-43/64	1-3/16	1.500	1.6
1-1/4, 1-7/16	6-3/16	1.815	3-1/2	5-1/8	9/16	1/2	1-13/16	1-1/4	1.689	2.2
1-1/2	6-23/32	2.039	3-7/8	5-21/32	9/16	1/2	2-1/8	1-7/16	1.937	2.8
1-3/4	6-61/64	2.236	4-1/8	5-53/64	9/16	1/2	2-1/8	1-7/16	1.937	3.3
1-15/16	7-5/16	2.461	4-3/8	6-3/16	5/8	1/2	2-3/8	1-19/32	2.031	3.7
2	8-1/2	2.719	4-3/4	7-1/4	25/32	5/8	2-17/32	1-25/32	2.189	4.8
2-1/4, 2-7/16	9-11/16	2.978	5-5/16	7-15/16	13/16	3/4	2-29/32	1-15/16	2.566	7.3

Part Numbers are specified by "FB260HW" and Bore Size. Example: FB260HW x 1-1/8.  
 For Load Ratings, see page M-14. For Comparison Charts, see page M-43.  
 For replacement inserts use YW250 Bearing Inserts, see page M-34.

¶ Dimensions shown are for reference only.

Certified prints are available upon request

CALL: (605) 225-0360



FAX: (605) 225-0567

M-25

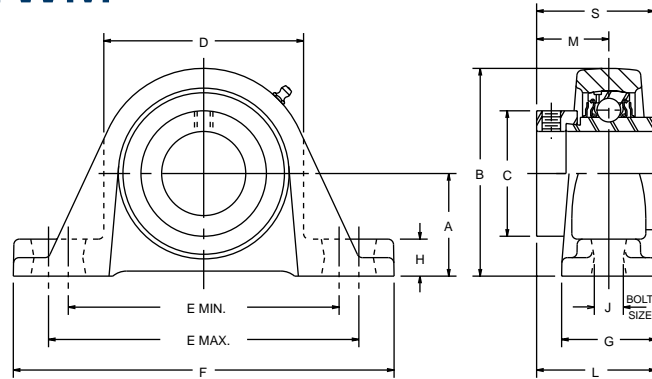
VISIT OUR WEB SITE AT [WWW.CLARKTR.COM](http://WWW.CLARKTR.COM)

HUB CITY INDUSTRIALINE™ BEARING UNITS

# QuadGuard Bearings

## Cast Iron Pillow Blocks Series PB220WM, PB221WM

- ◆ Relube type. Prelubricated at factory
- ◆ Eccentric locking collar
- ◆ Self-aligning replaceable bearing
- ◆ Steel flingers and trashguard
- ◆ Nitrile inner and outer contact seals
- ◆ Precision bored Cast Iron housing
- ◆ Wide inner race
- ◆ QuadGuard seal is effective against debris, contaminants and moisture



NOTE: BEARINGS WITH ECCENTRIC LOCKING COLLARS ARE NOT RECOMMENDED FOR USE IN REVERSING APPLICATIONS.

### PB220WM Series – For Low Shaft Heights

Shaft Size	DIMENSIONS														Wt. Lbs.
	A	B	C	D	E		F	G	H	J	L	M	S		
					Min.	Max.									
1	1-5/16	2-5/8	1.460	2-1/2	3-1/2	4-1/2	5-1/2	1-1/2	1/2	3/8	1-13/16	1.059	1.748	2.3	
1-3/16	1-9/16	3-1/8	1.710	3	4-1/4	5-1/8	6-3/8	1-3/4	5/8	1/2	2-1/16	1.185	1.906	2.8	
1-1/4, 1-7/16	1-13/16	3-5/8	2.148	3-7/16	4-11/16	5-1/2	6-3/4	1-7/8	5/8	1/2	2-7/32	1.272	2.012	3.7	
1-1/2	1-15/16	3-15/16	2.335	3-7/8	5-1/8	5-15/16	7-1/8	1-7/8	3/4	1/2	2-5/16	1.374	2.217	4.2	
1-15/16	2-3/16	4-7/16	2.733	4-5/16	5-13/16	6-3/4	8-3/8	2	3/4	5/8	2-1/2	1.500	2.469	5.9	
2, 2-3/16	2-7/16	4-15/16	2.983	4-3/4	6-7/16	7-3/8	9	2-1/4	7/8	5/8	2-27/32	1.717	2.811	8.3	
2-7/16	2-11/16	5-1/2	3.296	5-1/4	6-3/4	8-1/8	9-5/8	2-1/2	1-1/8	5/8	3-3/32	1.838	3.063	10.9	
2-15/16	3-1/4	6-1/2	3.938	6-1/4	7-7/8	9-5/8	11-1/4	3	1-1/8	3/4	3-21/32	2.156	3.625	16.9	

### PB221WM Series – For High Shaft Heights

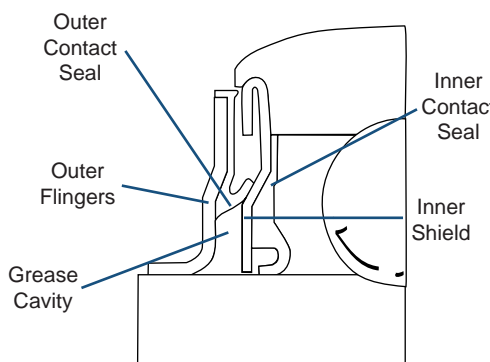
Shaft Size	DIMENSIONS														Wt. Lbs.
	A	B	C	D	E		F	G	H	J	L	M	S		
					Min.	Max.									
1	1-7/16	2-3/4	1.460	2-1/2	3-1/2	4-1/2	5-1/2	1-1/2	5/8	3/8	1-13/16	1.059	1.748	2.4	
1-3/16	1-11/16	3-1/4	1.710	3	4-1/4	5-1/8	6-3/8	1-3/4	3/4	1/2	2-1/16	1.185	1.906	2.9	
1-1/4, 1-7/16	1-7/8	3-11/16	2.148	3-7/16	4-11/16	5-1/2	6-3/4	1-7/8	11/16	1/2	2-7/32	1.272	2.012	4.1	
1-1/2	2	4	2.335	3-7/8	5-1/8	5-15/16	7-1/8	1-7/8	13/16	1/2	2-5/16	1.374	2.217	4.3	
1-15/16	2-1/4	4-1/2	2.733	4-5/16	5-13/16	6-3/4	8-3/8	2	13/16	5/8	2-1/2	1.500	2.469	6.1	
2, 2-3/16	2-1/2	5	2.983	4-3/4	6-7/16	7-3/8	9	2-1/4	15/16	5/8	2-27/32	1.717	2.811	9.0	
2-7/16	2-3/4	5-9/16	3.296	5-1/4	6-3/4	8-1/8	9-5/8	2-1/2	1-3/16	5/8	3-3/32	1.838	3.063	11.1	
2-15/16	3-5/16	6-1/2	3.938	6-1/4	7-7/8	9-5/8	11-1/4	3	1-3/16	3/4	3-21/32	2.156	3.625	17.1	

Part Numbers are specified by "PB220WM" and Bore Size; Example: PB220WM x 1-7/16.  
For replacement inserts use YWM220 Bearing Inserts, M-35.

For Load Ratings, See page M-14. For Comparison Charts, consult factory.

### Applications

- Cement, Quarry, and Mining Equipment
- Food Processing Machinery
- Agricultural & Lumber Machinery
- Car Wash Equipment
- Slow to Medium Speed, High Particulate or High Moisture Environments



### QuadGuard Seal

Four Separate Barriers Against Contamination

Certified prints are available upon request

M-26

CALL: (605) 225-0360



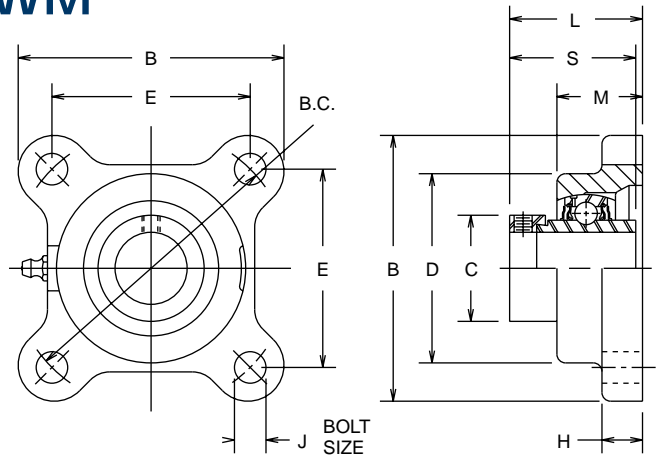
FAX: (605) 225-0567

VISIT OUR WEB SITE AT [WWW.CLARKTR.COM](http://WWW.CLARKTR.COM)

# QuadGuard Bearings

## Hub Alloy™ Flange Blocks Series FB220HWM, FB230HWM

- ◆ Relube type. Prelubricated at factory
- ◆ Eccentric locking collar
- ◆ Self-aligning replaceable bearing
- ◆ Steel flingers and trashguard
- ◆ Nitrile inner and outer contact seals
- ◆ Precision bored HUB-ALLOY® housing
- ◆ Higher strength and greater impact resistance than gray iron for high shock loads
- ◆ Wide inner race
- ◆ QuadGuard seal is effective against debris, contaminants and moisture

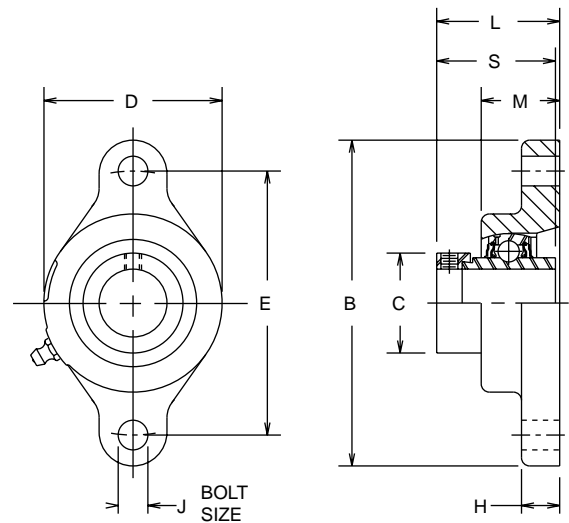


### FB220HWM Four-Hole Flange Blocks

Shaft Size	DIMENSIONS										Wt. Lbs.
	B	B.C.	C	D	E	H	J	L	M	S	
1	3-11/16	3-57/64	1.460	2-5/8	2-3/4	9/16	7/16	1-27/32	1-3/16	1.748	1.5
1-3/16	4-3/16	4-19/32	1.710	3	3-1/4	5/8	7/16	1-63/64	1-3/16	1.906	2.2
1-1/4, 1-7/16	4-11/16	5-1/8	2.148	3-1/2	3-5/8	21/32	1/2	2-5/64	1-1/4	2.012	3.1
1-1/2	5-1/16	5-21/32	2.335	3-7/8	4	11/16	1/2	2-5/16	1-7/16	2.217	3.7
1-15/16	5-1/2	6-3/16	2.733	4-3/8	4-3/8	3-1/2	1/2	2-19/32	1-19/32	2.469	4.7
2, 2-3/16	6-3/8	7-1/4	2.983	4-3/4	5-1/8	25/32	5/8	2-15/16	1-25/32	2.811	6.2
2-7/16	6-7/8	7-15/16	3.296	5-5/16	5-5/8	13/16	5/8	3-3/16	1-15/16	3.063	8.4
2-15/16	7-5/8	8-31/64	3.938	6-1/2	6	7/8	3/4	3-25/32	2-9/16	3.625	17.6

NOTE: BEARINGS WITH ECCENTRIC LOCKING COLLARS ARE NOT RECOMMENDED FOR USE IN REVERSING APPLICATIONS.

- ◆ Relube type. Prelubricated at factory
- ◆ Eccentric locking collar
- ◆ Self-aligning replaceable bearing
- ◆ Steel flingers and trashguard
- ◆ Nitrile inner and outer contact seals
- ◆ Precision bored HUB-ALLOY® housing
- ◆ Higher strength and greater impact resistance than gray iron for high shock loads
- ◆ Wide inner race
- ◆ QuadGuard seal is effective against debris, contaminants and moisture



### FB230HWM Two-Hole Flange Blocks

Shaft Size	DIMENSIONS										Wt. Lbs.
	B	C	D	E	H	J	L	M	S		
1	4-53/64	1.460	2-5/8	3-57/64	9/16	7/16	1-13/16	1-5/32	1.748	1.3	
1-3/16	5-17/32	1.710	3	4-19/32	9/16	7/16	1-63/64	1-3/16	1.906	1.9	
1-1/4, 1-7/16	6-3/16	2.148	3-1/2	5-1/8	9/16	1/2	2-3/32	1-1/4	2.012	2.7	
1-1/2	6-23/32	2.335	3-7/8	5-21/32	9/16	1/2	2-5/16	1-7/16	2.217	3.1	
1-15/16	7-5/16	2.733	4-3/8	6-3/16	5/8	1/2	2-19/32	1-19/32	2.469	4.3	
2, 2-3/16	8-1/2	2.983	4-3/4	7-1/4	25/32	5/8	2-15/16	1-25/32	2.811	5.3	
2-7/16	9-11/16	3.296	5-5/16	7-15/16	13/16	3/4	3-3/16	1-15/16	3.063	7.6	

Part Numbers are specified by "FB230HWM" and Bore Size. Example: FB230HWM x 1.  
For replacement inserts use YWM220 Bearing Inserts.

For Load Ratings, See page M-14. For Comparison Charts, consult factory.

† Dimensions shown are for reference only.

Certified prints are available upon request

CALL: (605) 225-0360



FAX: (605) 225-0567

M-27

VISIT OUR WEB SITE AT [WWW.CLARKTR.COM](http://WWW.CLARKTR.COM)



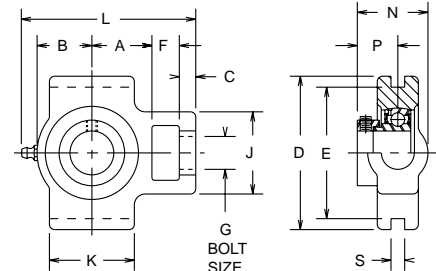
HUB CITY INDUSTRIALINE™ BEARING UNITS

# Hub Alloy Standard Slot Take-Up Units

## Series TU220, TU250 and Series TU250N (Nickel Plated)

### TU220 Standard Slot Take-Up Units

- ◆ Relube type. Prelubricated at factory
- ◆ Eccentric locking collar
- ◆ Self-aligning replaceable bearing
- ◆ Nitrile rubber seals with steel trash guard
- ◆ Precision bored high strength HUB-ALLOY® housing



NOTE: BEARINGS WITH ECCENTRIC LOCKING COLLARS ARE NOT RECOMMENDED FOR USE IN REVERSING APPLICATIONS.

Shaft Size	USE WITH FRAME NO. ★	DIMENSIONS												Wt. Lbs.	
		A	B	C	D	E	F	G	J	K	L	N	P		S§
1/2, 5/8	1T200A	1-1/16	1-5/64	3/8	3	2-1/2	1/2	1/2	1-5/8	1-1/2	3-25/64	1-29/64	.890	5/16	1.1
3/4	3 thru 9T200BC	1-3/8	1-3/16	3/8	3-1/2	3	5/8	5/8	1-7/8	1-7/8	3-15/16	1-39/64	.925	5/16	1.6
7/8, 1	3 thru 9T200BC	1-3/8	1-1/4	3/8	3-1/2	3	5/8	5/8	1-7/8	1-15/16	4	1-39/64	.925	5/16	1.9
1-1/8, 1-3/16, 1-1/4S	3 thru 12T200DE	1-17/32	1-17/23	1/2	4	3-1/2	3/4	3/4	2-1/8	2-3/8	4-11/16	1-53/64	1.051	5/16	2.5
1-1/4, 1-3/8, 1-7/16	3 thru 12T200DE	1-11/16	1-11/16	1/2	4	3-1/2	3/4	3/4	2-1/8	2-5/8	5	1-15/16	1.157	5/16	2.9
1-1/2	3 thru 18T200FH	1-7/8	1-7/8	5/8	4-1/2	4	3/4	1	2-5/8	2-15/16	5-1/2	2-11/64	1.268	5/16	4.1
1-5/8, 1-11/16, 1-3/4	3 thru 18T200FH	2-1/16	2	5/8	4-1/2	4	3/4	1	2-5/8	3-1/8	5-13/16	2-3/16	1.287	5/16	4.6
1-15/16	3 thru 18T200FH	2-3/16	2-1/8	5/8	4-1/2	4	3/4	1	2-5/8	3-5/16	6-1/16	2-3/16	1.287	5/16	4.6
2, 2-3/16	9 thru 18T200JK	2-3/8	2-11/32	3/4	5-3/4	5-1/8	1	1-1/4	3-1/4	3-11/16	6-27/32	2-1/2	1.439	5/16	8.3
2-1/4, 2-7/16	9 thru 18T200JK	2-11/16	2-19/32	3/4	5-3/4	5-1/8	1	1-1/4	3-1/4	4-1/16	7-13/32	2-5/8	1.559	5/16	8.6

Part Numbers are specified by "TU220" and Bore Size. Example: TU220 x 1-1/2.

★ Take-Up Frames shown on page M-32.

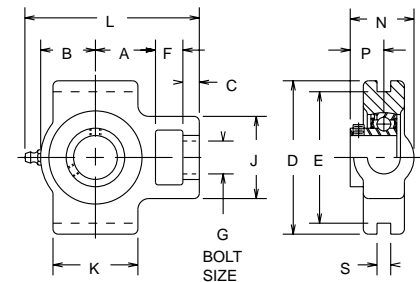
§ Take-Up Units with wider slots are shown on page M-30.

For Load Ratings, see page M-14.

For replacement inserts use B220 Bearing Inserts, see page M-33.

### TU250, TU250N Standard Slot Take-Up Units

- ◆ Relube type. Prelubricated at factory
- ◆ Setscrew locking
- ◆ Self-aligning replaceable bearing
- ◆ Nitrile rubber seals with steel trash guard
- ◆ Precision bored high strength HUB-ALLOY® housing
- ◆ All sizes available with Nickel Plating



Shaft Size	USE WITH FRAME NO. ★	DIMENSIONS												Wt. Lbs.	
		A	B	C	D	E	F	G	J	K	L	N	P		S§
1/2, 5/8	1T200A	1-1/16	1-5/64	3/8	3	2-1/2	1/2	1/2	1-5/8	1-1/2	3-25/64	1-7/32	.650	5/16	1.1
3/4	3 thru 9T200BC	1-3/8	1-3/16	3/8	3-1/2	3	5/8	5/8	1-7/8	1-7/8	3-15/16	1-13/32	.720	5/16	1.6
7/8, 15/16, 1	3 thru 9T200BC	1-3/8	1-1/4	3/8	3-1/2	3	5/8	5/8	1-7/8	1-15/16	4	1-29/64	.768	5/16	1.9
1-1/8, 1-3/16, 1-1/4S	3 thru 12T200DE	1-17/32	1-17/23	1/2	4	3-1/2	3/4	3/4	2-1/8	2-3/8	4-11/16	1-41/64	.866	5/16	2.5
1-1/4, 1-5/16, 1-3/8, 1-7/16	3 thru 12T200DE	1-11/16	1-11/16	1/2	4	3-1/2	3/4	3/4	2-1/8	2-5/8	5	1-25/32	1.004	5/16	2.9
1-1/2	3 thru 18T200FH	1-7/8	1-7/8	5/8	4-1/2	4	3/4	1	2-5/8	2-15/16	5-1/2	2-1/32	1.122	5/16	4.1
1-5/8, 1-11/16, 1-3/4	3 thru 18T200FH	2-1/16	2	5/8	4-1/2	4	3/4	1	2-5/8	3-1/8	5-13/16	2-7/64	1.201	5/16	4.6
1-15/16, 2S	3 thru 18T200FH	2-3/16	2-1/8	5/8	4-1/2	4	3/4	1	2-5/8	3-5/16	6-1/16	2-11/64	1.260	5/16	4.6
2, 2-3/16	9 thru 18T200JK	2-3/8	2-11/32	3/4	5-3/4	5-1/8	1	1-1/4	3-1/4	3-11/16	6-27/32	2-11/32	1.280	5/16	8.3
2-1/4, 2-7/16	9 thru 18T200JK	2-11/16	2-19/32	3/4	5-3/4	5-1/8	1	1-1/4	3-1/4	4-1/16	7-13/32	2-7/16	1.378	5/16	8.6

Part Numbers are specified by "TU250" and Bore Size. Example: TU250 x 1-1/2 or TU250N x 1-1/2 for Nickel Plated.

★ Take-Up Frames shown on page M-32.

§ Take-Up Units with wider slots are shown on page M-30.

¶ Dimensions shown are for reference only.

For Load Ratings, see page M-14.

For replacement inserts use B250 Bearing Inserts, see page M-33.

Certified prints are available upon request

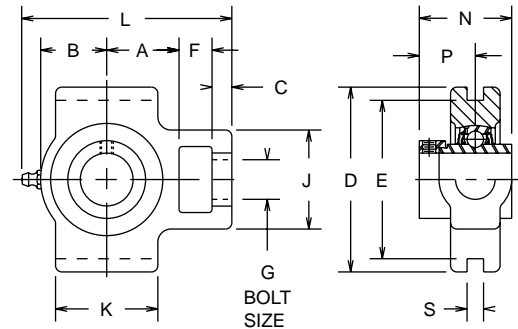


# HUB-ALLOY® Standard Slot Take-Up Units

## Series TU220W, TU250W

### TU220W Standard Slot Take-Up Units

- ◆ Relube type. Prelubricated at factory
- ◆ Eccentric locking collar
- ◆ Self-aligning replaceable bearing
- ◆ Nitrile rubber seals with steel trash guard
- ◆ Precision bored HUB-ALLOY® housing
- ◆ Higher strength and greater impact resistance than gray iron for high shock loads
- ◆ Wide inner race



NOTE: BEARINGS WITH ECCENTRIC LOCKING COLLARS ARE NOT RECOMMENDED FOR USE IN REVERSING APPLICATIONS.

Shaft Size	USE WITH FRAME NO. ★	DIMENSIONS													Wt. Lbs.
		A	B	C	D	E	F	G	J	K	L	N	P	S§	
3/4	3 thru 9T200BC	1-3/8	1-3/16	3/8	3-1/2	3	5/8	5/8	1-7/8	1-7/8	3-15/16	1-47/64	1.047	5/16	1.7
1	3 thru 9T200BC	1-3/8	1-1/4	3/8	3-1/2	3	5/8	5/8	1-7/8	1-15/16	4	1-3/4	1.059	5/16	2.0
1-1/8, 1-3/16	3 thru 12T200DE	1-17/32	1-17/32	1/2	4	3-1/2	3/4	3/4	2-1/8	2-3/8	4-11/16	1-31/32	1.185	5/16	2.7
1-1/4, 1-3/8, 1-7/16	3 thru 12T200DE	1-11/16	1-11/16	1/2	4	3-1/2	3/4	3/4	2-1/8	2-5/8	5	2-3/64	1.272	5/16	3.2
1-1/2	3 thru 18T200FH	1-7/8	1-7/8	5/8	4-1/2	4	3/4	1	2-5/8	2-15/16	5-1/2	2-9/32	1.376	5/16	4.4
1-11/16, 1-3/4	3 thru 18T200FH	2-1/16	2	5/8	4-1/2	4	3/4	1	3-5/8	3-1/8	5-13/16	2-9/32	1.376	5/16	4.8
1-15/16	3 thru 18T200FH	2-3/16	2-1/8	5/8	4-1/2	4	3/4	1	2-5/8	3-5/16	6-1/16	*2-13/32	1.500	5/16	4.9
2, 2-3/16	9 thru 18T200JK	2-3/8	2-11/32	3/4	5-3/4	5-1/8	1	1-1/4	3-1/4	3-11/16	6-27/32	*2-25/32	1.717	5/16	8.6
2-7/16	9 thru 18T200JK	2-11/16	2-19/32	3/4	5-3/4	5-1/8	1	1-1/4	3-1/4	4-1/16	7-13/32	*2-29/32	1.838	5/16	9.6

Part Numbers are specified by "TU220W" and Bore Size. Example: TU220W x 1-1/2.

★ Take-Up Frames shown on page M-32.

§ Take-Up Units with wider slots are shown on page M-30.

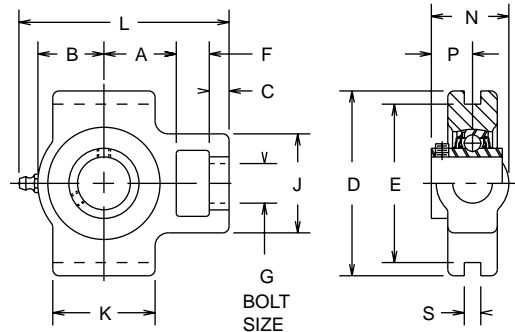
For Load Ratings, see page M-14.

For replacement inserts use YW220 Bearing Inserts, see page M-33.

\* Bearing protrudes beyond edge of housing.

### TU250W Standard Slot Take-Up Units

- ◆ Relube type. Prelubricated at factory
- ◆ Setscrew locking
- ◆ Self-aligning replaceable bearing
- ◆ Nitrile rubber seals with steel trash guard
- ◆ Precision bored HUB-ALLOY® housing
- ◆ Higher strength and greater impact resistance than gray iron for high shock loads
- ◆ Wide inner race



Shaft Size	USE WITH FRAME NO. ★	DIMENSIONS													Wt. Lbs.
		A	B	C	D	E	F	G	J	K	L	N	P	S§	
5/8	1T200A	1-1/16	1-5/64	3/8	3	2-1/2	1/2	1/2	1-5/8	1-1/2	3-25/64	1-7/32	.646	5/16	1.1
3/4	3 thru 9T200BC	1-3/8	1-3/16	3/8	3-1/2	3	5/8	5/8	1-7/8	1-7/8	3-15/16	1-13/32	.720	5/16	1.6
7/8, 15/16, 1	3 thru 9T200BC	1-3/8	1-1/4	3/8	3-1/2	3	5/8	5/8	1-7/8	1-15/16	4	1-15/32	.780	5/16	2.0
1-1/8, 1-3/16, 1-1/4S	3 thru 12T200DE	1-17/32	1-17/32	1/2	4	3-1/2	3/4	3/4	2-1/8	2-3/8	4-11/16	1-21/32	.874	5/16	2.6
1-1/4, 1-7/16	3 thru 12T200DE	1-11/16	1-11/16	1/2	4	3-1/2	3/4	3/4	2-1/8	2-5/8	5	1-25/32	1.000	5/16	3.0
1-1/2	3 thru 18T200FH	1-7/8	1-7/8	5/8	4-1/2	4	3/4	1	2-5/8	2-15/16	5-1/2	2-3/32	1.189	5/16	4.0
1-3/4	3 thru 18T200FH	2-1/16	2	5/8	4-1/2	4	3/4	1	2-5/8	3-1/8	5-13/16	2-3/32	1.189	5/16	4.5
1-15/16	3 thru 18T200FH	2-3/16	2-1/8	5/8	4-1/2	4	3/4	1	2-5/8	3-5/16	6-1/16	2-3/16	1.283	5/16	4.5
2	9 thru 18T200JK	2-3/8	2-11/32	3/4	5-3/4	5-1/8	1	1-1/4	3-1/4	3-11/16	6-27/32	2-3/8	1.315	5/16	8.1
2-1/4, 2-7/16	9 thru 18T200JK	2-11/16	2-19/32	3/4	5-3/4	5-1/8	1	1-1/4	3-1/4	4-1/16	7-13/32	2-5/8	1.566	5/16	9.4

Part Numbers are specified by "TU250W" and Bore Size. Example: TU250W x 1-1/2.

★ Take-Up Frames shown on page M-32.

§ Take-Up Units with wider slots are shown on page M-30.

¶ Dimensions shown are for reference only.

For Load Ratings, see page M-14.

For replacement inserts use YW250 Bearing Inserts, see page M-33.

Certified prints are available upon request

CALL: (605) 225-0360



FAX: (605) 225-0567

M-29

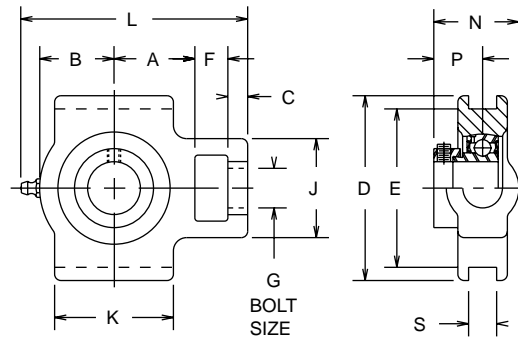
VISIT OUR WEB SITE AT WWW.CLARKTR.COM

HUB CITY INDUSTRIALINE™ BEARING UNITS

# HUB-ALLOY® Wide Slot Take-Up Units

## Series WSTU220, WSTU250 WSTU220 Wide Slot Take-Up Units

- ◆ Relube type. Prelubricated at factory
- ◆ Eccentric locking collar
- ◆ Self-aligning replaceable bearing
- ◆ Nitrile rubber seals with steel trash guard
- ◆ Precision bored HUB-ALLOY® housing
- ◆ Higher strength and greater impact resistance than gray iron for high shock loads



NOTE: BEARINGS WITH ECCENTRIC LOCKING COLLARS ARE NOT RECOMMENDED FOR USE IN REVERSING APPLICATIONS.

Shaft Size	DIMENSIONS													Wt. Lbs.
	A	B	C	D	E	F	G	J	K	L	N	P	S§	
3/4	1-3/8	1-3/16	3/8	3-1/2	3	5/8	5/8	1-7/8	1-7/8	3-15/16	1-39/64	.925	17/32	1.6
7/8, 1	1-17/32	1-13/32	3/8	3-1/2	3	5/8	5/8	1-7/8	2-1/4	4-9/32	1-39/64	.925	17/32	1.9
1-1/8, 1-3/16, 1-1/4S	1-17/32	1-17/32	1/2	4	3-1/2	3/4	3/4	2-1/8	2-3/8	4-11/16	1-53/64	1.051	17/32	2.5
1-1/4, 1-3/8, 1-7/16	1-3/4	1-3/4	1/2	4	3-1/2	3/4	3/4	2-1/8	2-3/4	5-1/8	1-15/16	1.157	17/32	2.9
1-1/2	2-1/32	2-1/32	5/8	4-1/2	4	3/4	1	2-5/8	3-1/4	5-13/16	2-11/64	1.268	11/16	4.1
1-11/16, 1-3/4	2-1/8	2-1/16	5/8	4-1/2	4	3/4	1	2-5/8	3-1/4	5-15/16	2-3/16	1.287	11/16	4.6
1-15/16	2-7/32	2-5/32	5/8	4-1/2	4	3/4	1	2-5/8	3-3/8	6-1/8	2-3/16	1.287	11/16	4.8
2, 2-3/16	2-17/32	2-1/2	3/4	5-3/4	5-1/8	1	1-1/4	3-1/4	4	7-5/32	2-1/2	1.439	1-1/16	8.3
2-7/16	2-21/32	2-9/16	3/4	5-3/4	5-1/8	1	1-1/4	3-1/4	4	7-11/32	2-5/8	1.559	1-1/16	8.8

Part Numbers are specified by "WSTU220" and Bore Size. Example: WSTU220 x 3/4.

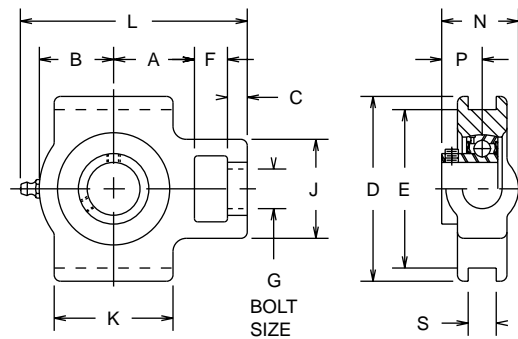
§ Take-Up Units with narrower slots are shown on page M-28.

For Load Ratings, see page M-14. For Comparison Charts, see page M-44.

For replacement inserts use B220 Bearing Inserts, see page M-33.

## WSTU250 Wide Slot Take-Up Units

- ◆ Relube type. Prelubricated at factory
- ◆ Setscrew locking
- ◆ Self-aligning replaceable bearing
- ◆ Nitrile rubber seals with steel trash guard
- ◆ Precision bored HUB-ALLOY® housing
- ◆ Higher strength and greater impact resistance than gray iron for high shock loads



Shaft Size	DIMENSIONS													Wt. Lbs.
	A	B	C	D	E	F	G	J	K	L	N	P	S§	
3/4	1-3/8	1-3/16	3/8	3-1/2	3	5/8	5/8	1-7/8	1-7/8	3-15/16	1-13/32	.720	17/32	1.5
7/8, 15/16, 1	1-17/32	1-13/32	3/8	3-1/2	3	5/8	5/8	1-7/8	2-1/4	4-9/32	1-29/64	.768	17/32	1.8
1-1/8, 1-3/16, 1-1/4S	1-17/32	1-17/32	1/2	4	3-1/2	3/4	3/4	2-1/8	2-3/8	4-3/4	1-41/64	.866	17/32	2.4
1-1/4, 1-5/16, 1-7/16	1-3/4	1-3/4	1/2	4	3-1/2	3/4	3/4	2-1/8	2-3/4	5-1/8	1-25/32	1.004	17/32	2.8
1-1/2	2-1/32	2-1/32	5/8	4-1/2	4	3/4	1	2-5/8	3-1/4	5-13/16	2-1/32	1.122	11/16	4.0
1-5/8, 1-11/16, 1-3/4	2-1/8	2-1/16	5/8	4-1/2	4	3/4	1	2-5/8	3-1/4	5-15/16	2-7/64	1.201	11/16	4.5
1-15/16, 2S	2-7/32	2-5/32	5/8	4-1/2	4	3/4	1	2-5/8	3-3/8	6-1/8	2-11/64	1.260	11/16	4.7
2, 2-3/16	2-17/32	2-9/16	3/4	5-3/4	5-1/8	1	1-1/4	3-1/4	4	7-5/32	2-11/32	1.280	1-1/16	8.2
2-1/4, 2-7/16	2-21/32	2-9/16	3/4	5-3/4	5-1/8	1	1-1/4	3-1/4	4	7-11/32	2-7/16	1.378	1-1/16	8.7

Part Numbers are specified by "WSTU250" and Bore Size. Example: WSTU250 x 3/4.

§ Take-Up Units with narrower slots are shown on page M-28.

For Load Ratings, see page M-14. For Comparison Charts, see page M-44.

For replacement inserts use B250 Bearing Inserts, see page M-33.

† Dimensions shown are for reference only.

Certified prints are available upon request

M-30

CALL: (605) 225-0360



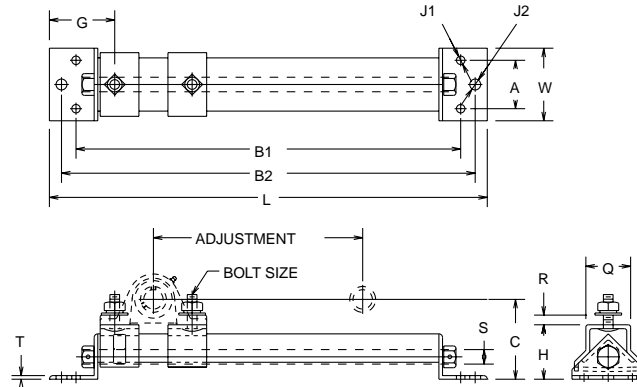
FAX: (605) 225-0567

VISIT OUR WEB SITE AT [WWW.CLARKTR.COM](http://WWW.CLARKTR.COM)

# Protected Screw Take-Up Frame

## Series T210

- ◆ Three bolt base mounting
- ◆ Welded steel construction
- ◆ Plated adjusting screw



Part Number	Shaft Size	DIMENSIONS													Bolt Size	Wt. Lbs.
		L	W	A	B1	B2	G	H	J1	J2	Q	R	S	T		
6T210BC-3	3/4 - 1	17-1/8	3-1/4	2-1/4	13-7/8	15-7/8	3-5/16	2-3/8	7/16	9/16	1-3/4	9/16	5/8	3/16	3/8	6.0
9T210BC-3	3/4 - 1	20-1/8	3-1/4	2-1/4	16-7/8	18-7/8	3-5/16	2-3/8	7/16	9/16	1-3/4	9/16	5/8	3/16	3/8	6.7
6T210DH-3	1-1/16 - 2S	18-3/16	3-3/4	2-1/2	15-7/16	16-15/16	3-3/8	2-13/16	7/16	9/16	2-5/16	7/8	3/4	3/16	1/2	8.9
9T210DH-3	1-1/16 - 2S	22-5/8	3-3/4	2-1/2	19-7/8	21-3/8	3-3/8	2-13/16	7/16	9/16	2-5/16	7/8	3/4	3/16	1/2	10.3
12T210DH-3	1-1/16 - 2S	24-3/16	3-3/4	2-1/2	21-7/16	22-15/16	3-3/8	2-13/16	7/16	9/16	2-5/16	7/8	3/4	3/16	1/2	10.9
18T210DH-3	1-1/16 - 2S	31-5/8	3-3/4	2-1/2	28-7/8	30-3/8	3-3/8	2-13/16	7/16	9/16	2-5/16	7/8	3/4	3/16	1/2	13.3
12T210JK-3	2 - 2-7/16	28	4-3/4	3	24-3/4	26-3/4	4	3-5/16	9/16	11/16	2-5/8	1-7/16	1	1/4	5/8	18.3
18T210JK-3	2 - 2-7/16	34	4-3/4	3	30-3/4	32-3/4	4	3-5/16	9/16	11/16	2-5/8	1-7/16	1	1/4	5/8	21.2



Protected Screw Take-Up Frames are designed for use with:

- PB220, PB221, PB220W, PB221W, PB220HW and PB221HW shown on pages M-15, M-16, M-17.
- PB250, PB251, PB250W, PB251W, PB250HW and PB251HW shown on pages M-18, M-19, M-20.
- PB350 and PB350H shown on pages M-37 and M-38.

\* "C" dimension is obtained by adding "H" in the table above to "A" from Pillow Block Dimension tables.

The first digit of the part number represents the nominal adjustment which is possible. Because of the dimensional differences of the various Pillow Blocks, this adjustment varies according to the specifications noted below.

## Actual Amount of Adjustment

Shaft Size	FRAME PART NUMBER							
	6T210BC-3	9T210BC-3	6T210DH-3	9T210DH-3	12T210DH-3	18T210DH-3	12T210JK-3	18T210JK-3

### WHEN USED WITH 200 SERIES PILLOW BLOCKS

3/4	6-3/8	9-3/8	—	—	—	—	—	—
13/16 - 1	6	9	—	—	—	—	—	—
1-1/16 - 1-3/16	—	—	6-3/8	10-13/16	12-3/8	19-13/16	—	—
1-1/4 - 1-7/16	—	—	6	10-7/16	12	19-7/16	—	—
1-1/2 - 1-9/16	—	—	5-9/16	10	11-9/16	19	—	—
1-5/8 - 1-3/4	—	—	5-3/16	9-5/8	11-3/16	18-5/8	—	—
1-13/16 - 2S	—	—	4-9/16	9	10-9/16	18	—	—
2 - 2-3/16	—	—	—	—	—	—	12-3/4	18-3/4
2-1/4 - 2-7/16	—	—	—	—	—	—	12	18

### WHEN USED WITH 350 SERIES PILLOW BLOCKS

1-7/16	—	—	6-5/8	11-1/16	12-5/8	20-1/16	—	—
1-1/2 - 1-3/4	—	—	6-1/8	10-9/16	—	—	14-11/16	20-11/16
1-15/16 - 2-15/16	—	—	5-5/8	10-1/16	—	—	14-3/16	20-3/16
2-3/16 - 2-1/4	—	—	—	—	—	—	13-9/16	19-9/16
2-7/16 - 2-1/2	—	—	—	—	—	—	12-13/16	18-13/16

† Dimensions shown are for reference only.

Certified prints are available upon request

CALL: (605) 225-0360



FAX: (605) 225-0567

M-31

VISIT OUR WEB SITE AT [WWW.CLARKTR.COM](http://WWW.CLARKTR.COM)

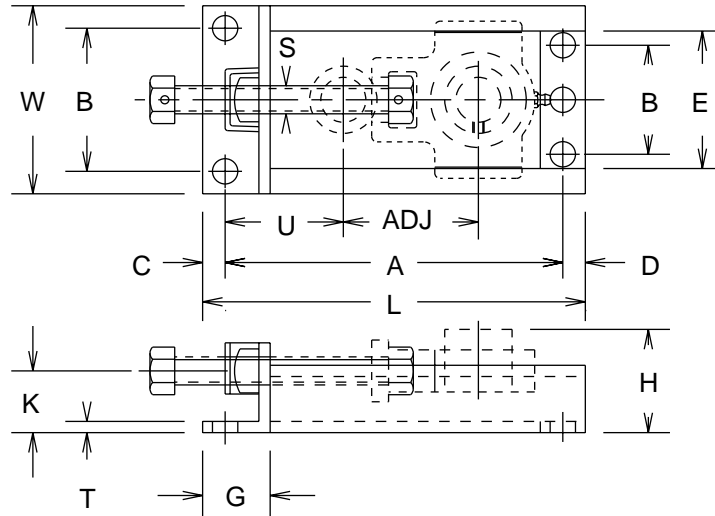
HUB CITY INDUSTRIALINE™ BEARING UNITS

# Take-Up Frames

## Series T200

### T200 Side Mounting Take-Up Frames

- ◆ Welded steel construction
- ◆ Plated adjusting screw



Part Number	SHAFT SIZE RANGE		Adjustment	DIMENSIONS												BOLT HOLES		Wt. Lbs.
	For "200" Series Units	For "300" Series Units		L	W	A	B	C	D	E	G	H Max.	K	S	T	No.	Size	
1T200A	1/2 - 5/8	—	1-1/2	6-3/8	3-11/16	5-3/8	2-11/16	1/2	1/2	2-9/16	1-1/2	2-1/4	1-3/8	1/2	1/4	3	9/16	2.2
3T200BC	3/4 - 1	—	3	8-1/2	4-3/16	7-1/2	3-3/16	1/2	1/2	3-1/16	1-1/2	2-19/64	1-3/8	5/8	1/4	3	9/16	3.6
6T200BC	3/4 - 1	—	6	11-1/2	4-3/16	10-1/2	3-3/16	1/2	1/2	3-1/16	1-1/2	2-19/64	1-3/8	5/8	1/4	3	9/16	4.4
9T200BC	3/4 - 1	—	9	14-1/2	4-3/16	13-1/2	3-3/16	1/2	1/2	3-1/16	1-1/2	2-19/64	1-3/8	5/8	1/4	3	9/16	5.5
3T200DE	1-1/16 - 1-7/16	—	3	9-3/8	4-11/16	8-3/8	3-11/16	1/2	1/2	3-9/16	1-1/2	2-17/32	1-3/8	3/4	1/4	3	9/16	4.3
6T200DE	1-1/16 - 1-7/16	—	6	12-3/8	4-11/16	11-3/8	3-11/16	1/2	1/2	3-9/16	1-1/2	2-17/32	1-3/8	3/4	1/4	3	9/16	5.3
9T200DE	1-1/16 - 1-7/16	—	9	15-3/8	4-11/16	14-3/8	3-11/16	1/2	1/2	3-9/16	1-1/2	2-17/32	1-3/8	3/4	1/4	3	9/16	6.3
12T200DE	1-1/16 - 1-7/16	—	12	18-3/8	4-11/16	17-3/8	3-11/16	1/2	1/2	3-9/16	1-1/2	2-17/32	1-3/8	3/4	1/4	3	9/16	7.4
3T200FH	1-1/2 - 2S	1-7/16 - 1-3/4	3	11	5-3/16	9-7/8	3-1/16	1/2	5/8	4-1/16	2	2-15/16	1-5/8	1	1/4	4	9/16	6.3
6T200FH	1-1/2 - 2S	1-7/16 - 1-3/4	6	14	5-3/16	12-7/8	3-1/16	1/2	5/8	4-1/16	2	2-15/16	1-5/8	1	1/4	4	9/16	7.6
9T200FH	1-1/2 - 2S	1-7/16 - 1-3/4	9	17	5-3/16	15-7/8	3-1/16	1/2	5/8	4-1/16	2	2-15/16	1-5/8	1	1/4	4	9/16	9.1
12T200FH	1-1/2 - 2S	1-7/16 - 1-3/4	12	20	5-3/16	18-7/8	3-1/16	1/2	5/8	4-1/16	2	2-15/16	1-5/8	1	1/4	4	9/16	10.5
18T200FH	1-1/2 - 2S	1-7/16 - 1-3/4	18	26	5-3/16	24-7/8	3-1/16	1/2	5/8	4-1/16	2	2-15/16	1-5/8	1	1/4	4	9/16	13.2
9T200JK	2 - 2-7/16	1-15/16 - 2-3/16	9	18-1/4	6-3/8	16-7/8	4-1/8	5/8	3/4	5-1/4	2	3-7/16	1-7/8	1-1/4	5/16	4	11/16	13.9
12T200JK	2 - 2-7/16	1-15/16 - 2-3/16	12	21-1/4	6-3/8	19-7/8	4-1/8	5/8	3/4	5-1/4	2	3-7/16	1-7/8	1-1/4	5/16	4	11/16	15.0
18T200JK	2 - 2-7/16	1-15/16 - 2-3/16	18	27-1/4	6-3/8	25-7/8	4-1/8	5/8	3/4	5-1/4	2	3-7/16	1-7/8	1-1/4	5/16	4	11/16	19.8

These Take-Up Frames are used with TU220, TU250, TU220W and TU250W Take-Up Units shown on pages M-28 and M-29 and with TU350 Take-Up Units shown on page M-39.  
 \*NOTE — "U" may have more than one value, depending on the Take-Up Unit and Frame combination used, therefore determined "U" from frame dimensions "G" minus "C" plus Take-Up Unit dimensions "A", "C" and "F".

† Dimensions shown are for reference only.

Certified prints are available upon request

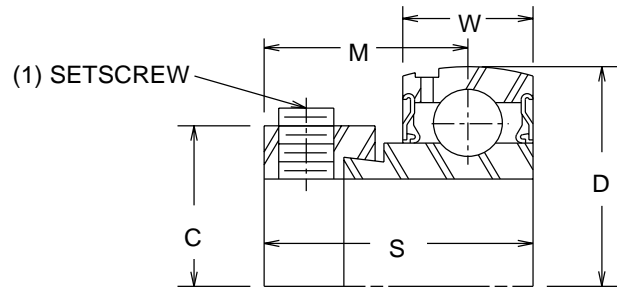


# Bearing Inserts

## Series B220 & B250

### B220 Bearing Inserts

- ◆ Spherical outside diameter
- ◆ Relube type. Prelubricated at factory
- ◆ Molded glass fiber reinforced polyamide retainer
- ◆ Nitrile rubber seals with steel trash guard
- ◆ Eccentric locking collar



NOTE: BEARINGS WITH ECCENTRIC LOCKING COLLARS ARE NOT RECOMMENDED FOR USE IN REVERSING APPLICATIONS.

Shaft Size	DIMENSIONS						Wt. Lbs.
	C	D	M	S	W	Setscrew	
1/2, 5/8	1.101	1.5748	.870	1.126	.472	1/4-28 UNF	.2
3/4	1.273	1.8504	.925	1.220	.551	1/4-28 UNF	.3
7/8, 1	1.460	2.0472	.925	1.220	.592	1/4-28 UNF	.4
1-1/8, 1-3/16, 1-1/4S	1.710	2.4409	1.051	1.406	.709	5/16-24 UNF	.6
1-1/4, 1-3/8, 1-7/16	2.148	2.8346	1.157	1.531	.748	3/8-24 UNF	1.0

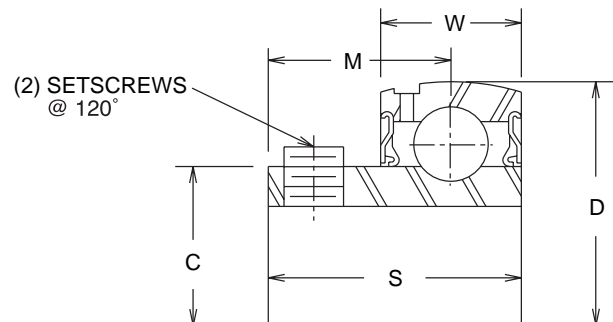
Shaft Size	DIMENSIONS						Wt. Lbs.
	C	D	M	S	W	Setscrew	
1-1/2	2.335	3.1496	1.268	1.720	.827	3/8-24 UNF	1.3
1-5/8, 1-11/16, 1-3/4	2.483	3.3465	1.287	1.720	.866	3/8-24 UNF	1.6
1-15/16	2.733	3.5433	1.287	1.720	.866	3/8-24 UNF	1.7
2, 2-3/16	2.983	3.9370	1.439	1.911	.984	7/16-20 UNF	2.4
2-7/16	3.296	4.3307	1.559	2.091	1.024	7/16-20 UNF	3.0

Part Numbers are specified by "B220" and Bore Size. Example B220 x 1-1/4.

Used in PB220, PB221 Pillow Blocks; FB220, FB230 Flange Blocks; and TU220, WSTU220 Take-Up Units.

### B250 Bearing Inserts

- ◆ Spherical outside diameter
- ◆ Relube type. Prelubricated at factory
- ◆ Molded glass fiber reinforced polyamide retainer
- ◆ Nitrile rubber seals with steel trash guard
- ◆ Setscrew Locking



Shaft Size	DIMENSIONS						Wt. Lbs.
	C	D	M	S	W	Setscrew	
1/2, 5/8	.953	1.5748	.630	.886	.472	10-32	.3
3/4	1.110	1.8504	.720	1.004	.551	1/4-28 UNF	.3
7/8, 15/16, 1	1.328	2.0472	.768	1.071	.591	1/4-28 UNF	.4
1-1/8, 1-3/16, 1-1/4S	1.563	2.4409	.866	1.220	.709	5/16-24 UNF	.6
1-1/4, 1-5/16, 1-3/8, 1-7/16	1.815	2.8346	1.004	1.378	.748	5/16-24 UNF	.9
1-1/2	2.039	3.1496	1.122	1.575	.827	5/16-24 UNF	1.5

Shaft Size	DIMENSIONS						Wt. Lbs.
	C	D	M	S	W	Setscrew	
1-5/8, 1-11/16, 1-3/4	2.236	3.3465	1.201	1.634	.866	5/16-24 UNF	1.8
1-15/16, 2S	2.461	3.5433	1.260	1.693	.866	3/8-24 UNF	1.8
2, 2-3/16	2.719	3.9370	1.280	1.772	.984	3/8-24 UNF	2.4
2-1/4, 2-7/16	2.978	4.3307	1.378	1.909	1.024	3/8-24 UNF	2.9
2-15/16	3.624	5.1181	1.535	2.106	1.142	3/8-24 UNF	4.9

Part Numbers are specified by "B250" and Bore Size. Example B250 x 1-1/4.

Used in PB100, PB100L, PB150, PB150L, PB250, PB251, TPB250 Pillow Blocks; FB100, FB110, FB150, FB160, FB250, FB260 Flange Blocks; and TU250, WSTU250 Take-Up Units.

† Dimensions shown are for reference only.

Certified prints are available upon request

CALL: (605) 225-0360



FAX: (605) 225-0567

M-33

VISIT OUR WEB SITE AT [WWW.CLARKTR.COM](http://WWW.CLARKTR.COM)



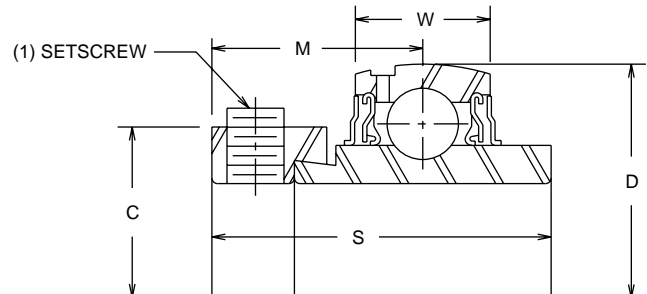
HUB CITY INDUSTRIALINE™ BEARING UNITS

# Bearing Inserts

## Series YW220 & YW250

### YW220 Bearing Inserts

- ◆ Spherical outside diameter
- ◆ Relube type. Prelubricated at factory
- ◆ Molded glass fiber reinforced polyamide retainer
- ◆ Nitrile rubber seals with steel trash guard
- ◆ Metal flingers
- ◆ Eccentric locking collar
- ◆ Wide inner race



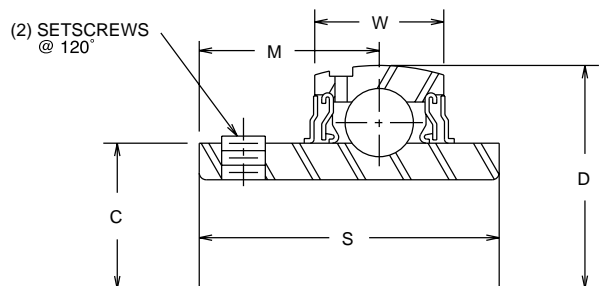
Shaft Size	DIMENSIONS						Wt. Lbs.
	C	D	M	S	W	Setscrew	
3/4	1.273	1.8504	1.047	1.720	.551	1/4-28 UNF	.45
1	1.460	2.0472	1.059	1.748	.591	1/4-28 UNF	.57
1-1/8, 1-3/16	1.710	2.4409	1.185	1.906	.709	5/16-24 UNF	.82
1-1/4, 1-3/8, 1-7/16	2.148	2.8346	1.272	2.012	.748	3/8-24 UNF	1.35
1-1/2	2.335	3.1496	1.374	2.217	.827	3/8-24 UNF	1.65
1-5/8, 1-11/16, 1-3/4	2.483	3.3465	1.374	2.217	.866	3/8-24 UNF	1.85
1-15/16	2.733	3.5433	1.500	2.469	.866	3/8-24 UNF	2.05
2, 2-3/16	2.983	3.9370	1.717	2.811	.984	7/16-20 UNF	3.10
2-7/16	3.296	4.3307	1.838	3.063	1.024	7/16-20 UNF	4.40

Part Numbers are specified by "YW220" and Bore Size. Example YW220 x 1-1/4.

Used in PB220W, PB221W, PB220HW, PB221HW Pillow Blocks; FB220HW, FB230HW Flange Blocks; and TU220W Take-Up Units.

### YW250 Bearing Inserts

- ◆ Spherical outside diameter
- ◆ Relube type. Prelubricated at factory
- ◆ Molded glass fiber reinforced polyamide retainer
- ◆ Nitrile rubber seals with steel trash guard
- ◆ Metal flingers
- ◆ Setscrew locking
- ◆ Wide inner race



Shaft Size	DIMENSIONS						Wt. Lbs.
	C	D	M	S	W	Setscrew	
5/8	.953	1.5748	.626	1.079	.472	1/4-28 UNF	.20
3/4	1.110	1.8504	.720	1.220	.551	1/4-28 UNF	.31
7/8, 15/16, 1	1.328	2.0472	.780	1.343	.591	1/4-28 UNF	.46
1-1/8, 1-3/16, 1-1/4S	1.563	2.4409	.874	1.500	.709	1/4-28 UNF	.66
1-1/4, 1-7/16	1.815	2.8346	1.000	1.689	.748	5/16-24 UNF	1.00
1-1/2	2.039	3.1496	1.189	1.937	.827	5/16-24 UNF	1.30
1-3/4	2.236	3.3465	1.189	1.937	.866	5/16-24 UNF	1.55
1-15/16	2.461	3.5433	1.283	2.031	.866	3/8-24 UNF	1.55
2	2.719	3.9370	1.315	2.189	.984	3/8-24 UNF	2.45
2-1/4, 2-7/16	2.978	4.3307	1.566	2.566	1.024	3/8-24 UNF	3.75

Part Numbers are specified by "YW250" and Bore Size. Example YW250 x 1-1/4.

Used in PB250W, PB251W, PB250HW, PB251HW, TPB250W Pillow Blocks; FB250HW, FB260HW Flange Blocks; and TU250W Take-Up Units.

† Dimensions shown are for reference only.

Certified prints are available upon request

M-34

CALL: (605) 225-0360



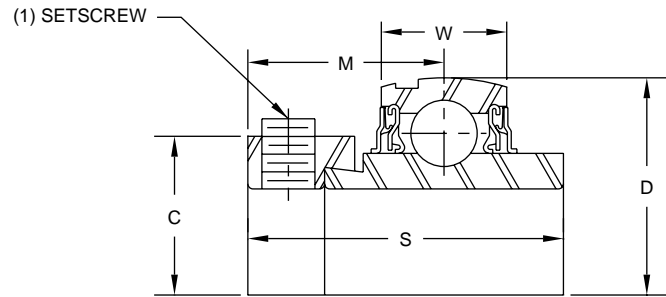
FAX: (605) 225-0567

VISIT OUR WEB SITE AT [WWW.CLARKTR.COM](http://WWW.CLARKTR.COM)

# Bearing Inserts

## Series YWM220 & YWZ250 YWM220 QuadGuard Bearing Inserts

- ◆ QuadGuard seal is effective against debris, contaminants and moisture
- ◆ Spherical outside diameter
- ◆ Relube type. Prelubricated at factory
- ◆ Molded glass fiber reinforced polyamide retainer
- ◆ Steel flingers and trash guard
- ◆ Nitrile rubber inner and outer contact seals
- ◆ Eccentric locking collar
- ◆ Wide inner race
- ◆ Refer to page M-26 for detail of QuadGuard seal



Shaft Size	DIMENSIONS						Wt. Lbs.
	C	D	M	S	W	Set screw	
1	1.460	2.0472	1.059	1.748	.591	1/4-28 UNF	.57
1-3/16	1.710	2.4409	1.185	1.906	.709	5/16-24 UNF	.82
1-1/4, 1-7/16	2.148	2.8346	1.272	2.012	.748	3/8-24 UNF	1.35
1-1/2	2.335	3.1496	1.374	2.217	.827	3/8-24 UNF	1.65
1-15/16	2.733	3.5433	1.500	2.469	.866	3/8-24 UNF	2.05
2, 2-3/16	2.983	3.9370	1.717	2.811	.984	7/16-20 UNF	3.10
2-7/16	3.296	4.3307	1.838	3.063	1.024	7/16-20 UNF	4.40
2-15/16	3.938	5.118	2.156	3.625	1.142	7/16-20UNF	6.00

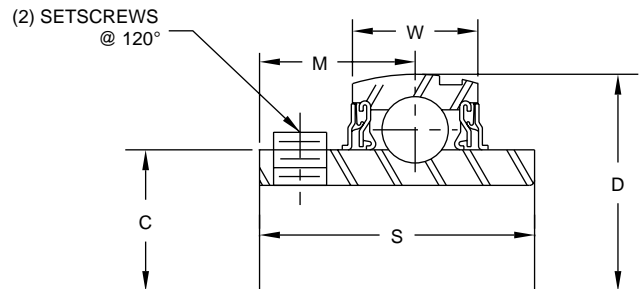
Part Numbers are specified by "YWM250" and Bore Size. Example YWZ250 x 1-1/4.

For Load Ratings, See page M-14

Used in PB220W, PB220WM, PB221WM Pillow Blocks; FB220HWM, FB230HWM Flange Blocks.

## YWZ250 Cleanline Bearing Inserts

- ◆ Spherical outside diameter
- ◆ Relube type. Prelubricated at factory with USDA HI approved synthetic grease
- ◆ Yellow Zinc-Chromate plated
- ◆ Molded glass fiber reinforced polyamide retainer
- ◆ Nitrile rubber inner and outer contact seals with stainless steel trash guard and flingers
- ◆ Setscrew locking
- ◆ Wide inner race



Shaft Size	DIMENSIONS						Wt. Lbs.
	C	D	M	S	W	Set screw	
3/4	1.110	1.8504	.720	1.220	.551	1/4-28 UNF	.31
1	1.328	2.0472	.780	1.343	.591	1/4-28 UNF	.46
1-3/16, 1-1/4S	1.563	2.4409	.874	1.500	.709	1/4-28 UNF	.66
1-1/4, 1-7/16	1.815	2.8346	1.000	1.689	.748	5/16-24 UNF	1.00
1-1/2	2.039	3.1496	1.189	1.937	.827	5/16=24 UNF	1.30

Part Numbers are specified by "YWZ250" and Bore Size. Example YWZ250 x 1-1/4.

For Load Ratings, See page M-14

Used in PB270WZ, PB271WZ Pillow Blocks; FB270HWZ, FB280HWZ Flange Blocks.

† Dimensions shown are for reference only.

Certified prints are available upon request

CALL: (605) 225-0360



FAX: (605) 225-0567

M-35

VISIT OUR WEB SITE AT [WWW.CLARKTR.COM](http://WWW.CLARKTR.COM)

HUB CITY INDUSTRIALINE™ BEARING UNITS

# Series 350 - Ratings

Shaft Size	BEARING RADIAL LOAD CAPACITY IN POUNDS BASED ON L-10 LIFE OF 500 HOURS AND STEADY LOAD CONDITIONS (2500 HOURS AVERAGE LIFE)							
	BEARING SPEED – REVOLUTIONS PER MINUTE (RPM)							
	100	500	1,000	1,500	2,000	2,500	3,000	3,500
1	3,040	1,780	1,410	1,230	1,120	1,040	980	930
1-3/16	3,980	2,330	1,850	1,610	1,470	1,360	1,280	—
1-7/16	4,790	2,800	2,220	1,940	1,760	1,640	1,540	—
1-1/2	5,180	3,030	2,400	2,100	1,910	1,770	—	—
1-11/16, 1-3/4	5,480	3,200	2,540	2,220	2,020	1,870	—	—
1-15/16, 2	6,800	3,980	3,160	2,760	2,510	—	—	—
2-3/16, 2-1/4	8,250	4,830	3,830	3,350	3,040	—	—	—
2-7/16, 2-1/2	9,710	5,680	4,510	3,940	—	—	—	—
2-11/16	10,330	6,040	4,790	4,190	—	—	—	—
2-15/16, 3	11,370	6,650	5,280	4,610	—	—	—	—
3-7/16, 3-1/2	14,890	8,710	6,910	6,040	—	—	—	—

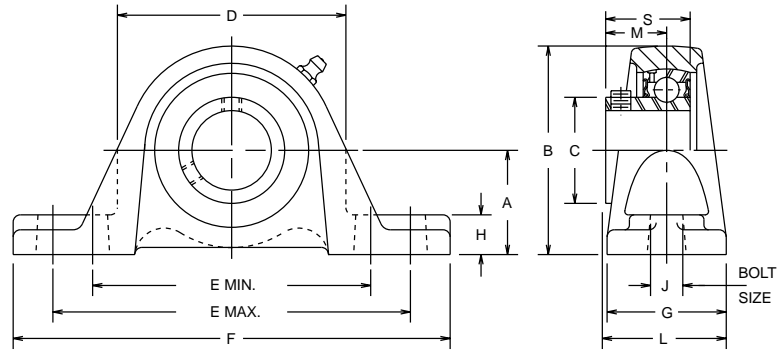
For ultimate life, snug fit or light press on shaft should be used.  
 Maximum Recommended Speeds — 1" and smaller 3500 RPM  
 1-3/16" - 1-7/16" 3000 RPM  
 1-1/2" - 1-3/4" 2500 RPM  
 1-15/16" - 2-1/4" 2000 RPM  
 2-7/16" and larger 1800 RPM  
 Recommended Operating Temperature Range — 25° to + 225°F.  
 For applications not covered in the table above, consult factory engineering.

TO MODIFY THE ABOVE RATINGS FOR OTHER L-10 LIFE REQUIREMENTS OR FOR SHOCK LOADS MULTIPLY THE ABOVE RATINGS BY THE FACTOR FROM THIS CHART														
MODIFICATION FACTORS FOR L-10 SERVICE LIFE AND LOAD CONDITIONS:														
LOAD CONDITIONS	L-10 LIFE (HOURS)													
	500	700	1,000	1,500	2,000	3,000	4,000	5,000	7,000	10,000	15,000	20,000	30,000	50,000
Steady Load	1.00	.894	.794	.694	.630	.550	.500	.464	.415	.368	.322	.292	.255	.215
Light Shock	.90	.804	.715	.624	.567	.495	.450	.418	.373	.331	.290	.263	.230	.194
Moderate Shock	.70	.626	.556	.485	.441	.385	.350	.325	.290	.258	.225	.205	.179	.151

# Cast Iron Pillow Blocks

## Series PB350

- ◆ Relube type. Prelubricated at factory
- ◆ Setscrew locking
- ◆ Self-aligning replaceable bearing
- ◆ Nitrile rubber seals with steel trash guard
- ◆ Precision bored Cast Iron Housing

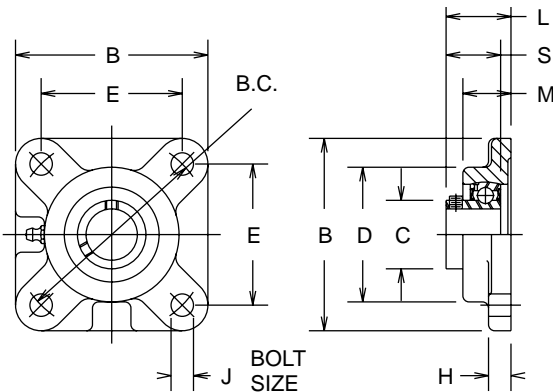


Shaft Size	DIMENSIONS													Wt. Lbs.
	A	B	C	D	E		F	G	H	J	L	M	S	
1	1-11/16	3-1/4	1.563	3	4-1/4	5-1/8	6-3/8	1-3/4	3/4	1/2	1-3/4	.866	1.220	3.3
1-3/16	1-7/8	3-11/16	1.815	3-7/16	4-11/16	5-1/2	6-3/4	1-7/8	11/16	1/2	1-15/16	1.004	1.378	4.4
1-7/16	2-1/8	4-1/8	2.039	3-7/8	5-1/8	5-15/16	7-1/8	1-7/8	15/16	1/2	2-1/16	1.122	1.575	4.9
1-1/2	2-5/16	4-7/16	2.236	4-1/8	5-3/4	6-1/2	8	2	1	5/8	2-13/64	1.201	1.634	5.6
1-11/16, 1-3/4	2-5/16	4-9/16	2.461	4-5/16	5-13/16	6-3/4	8-3/8	2	7/8	5/8	2-17/64	1.260	1.693	6.7
1-15/16, 2	2-1/2	5	2.719	4-3/4	6-7/16	7-3/8	9	2-1/4	15/16	5/8	2-13/32	1.280	1.772	8.5
2-3/16, 2-1/4	2-3/4	5-9/16	2.978	5-1/4	6-7/8	8	9-5/8	2-1/2	1-3/16	3/4	2-5/8	1.378	1.909	11.3
2-7/16, 2-1/2	3	6-1/8	3.427	6	7-3/4	8-3/4	10-1/2	2-3/4	1-1/8	3/4	2-15/16	1.560	2.008	15.2
2-11/16	3-1/2	6-3/4	3.624	6-1/4	8	9-1/2	11-1/4	3	1-3/8	7/8	3-1/32	1.535	2.106	17.9
2-15/16, 3	3-1/2	7	3.835	6-3/4	8-1/2	10-1/4	12	3-1/4	1-1/8	7/8	3-5/32	1.537	2.185	19.1
3-7/16, 3-1/2	4	8	4.394	7-11/16	9-11/16	12-9/16	14-9/16	3-1/2	1-1/8	7/8	3-21/64	1.575	2.244	28.4

Part Numbers are specified by "PB350" and Bore Size. Example: PB350 x 2-7/16.

For Load Ratings, see page M-36. For Comparison Charts, see page M44.

For replacement inserts use B350 Bearing Inserts, see page M-40.



# Cast Iron Flange Blocks

## Series FB350

- ◆ Relube type. Prelubricated at factory
- ◆ Setscrew locking
- ◆ Self-aligning replacement bearing
- ◆ Nitrile rubber seals with steel trash guard
- ◆ Precision bored Cast Iron Housing

Shaft Size	DIMENSIONS										Wt. Lbs.
	B	B.C.	C	D	E	H	J	L	M	S	
1	4-1/2	4-19/32	1.563	3-1/8	3-1/4	7/16	7/16	1-13/32	1	1.220	3.0
1-3/16	4-3/4	5-1/8	1.815	3-5/8	3-5/8	1/2	1/2	1-5/8	1-3/16	1.378	4.6
1-7/16	5-1/8	5-21/32	2.039	4	4	1/2	1/2	1-13/16	1-3/8	1.575	5.4
1-1/2	5-1/4	5-53/64	2.236	4-1/4	4-1/8	1/2	1/2	1-61/64	1-3/8	1.634	5.8
1-11/16, 1-3/4	5-1/2	6-3/16	2.461	4-1/2	4-3/8	1/2	1/2	2	1-1/2	1.693	7.0
1-15/16, 2	6-1/2	7-1/4	2.719	5	5-1/8	5/8	5/8	2-1/32	1-1/2	1.772	9.2
2-3/16, 2-1/4	7	7-15/16	2.978	5-1/2	5-5/8	5/8	5/8	2-1/4	1-3/4	1.909	12.1
2-7/16, 2-1/2	7-1/4	8-5/16	3.427	6-1/4	5-7/8	5/8	5/8	2-7/16	1-7/8	2.008	15.4
2-11/16	7-5/8	8-31/64	3.624	6-1/2	6	3/4	3/4	2-1/2	1-15/16	2.106	18.3
2-15/16, 3	7-5/8	8-31/64	3.835	7	6	3/4	3/4	2-17/32	2	2.185	19.0
3-7/16, 3-1/2	8-3/8	9-35/64	4.394	8	6-3/4	3/4	3/4	2-37/64	2	2.244	22.2

Part Numbers are specified by "FB350" and Bore Size. Example: FB350 x 2-7/16.

For Load Ratings, see page M-36. For Comparison Charts, see page M-45.

For replacement inserts use B350 Bearing Inserts, see page M-40.

†† Dimensions shown are for reference only.

Certified prints are available upon request

CALL: (605) 225-0360



FAX: (605) 225-0567

M-37

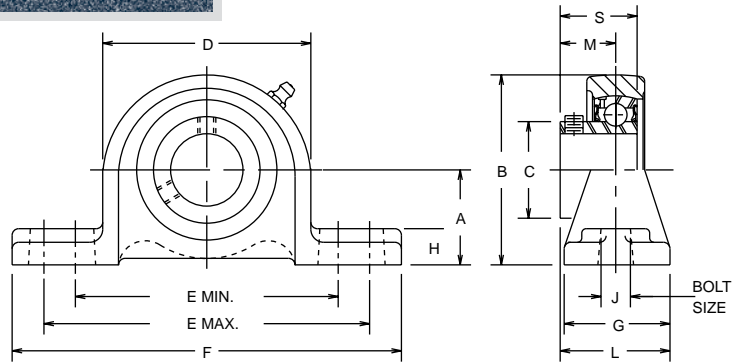
VISIT OUR WEB SITE AT WWW.CLARKTR.COM

HUB CITY INDUSTRIALINE™ BEARING UNITS

# HUB-ALLOY® Pillow Blocks

## Series PB350H

- ◆ Relube type. Prelubricated at factory
- ◆ Setscrew locking
- ◆ Self-aligning replacement bearing
- ◆ Nitrile rubber seals with steel trash guard
- ◆ Precision bored HUB-ALLOY® housing
- ◆ Higher strength and greater impact resistance than gray iron for high shock loads



Shaft Size	DIMENSIONS													Wt. Lbs.
	A	B	C	D	E		F	G	H	J	L	M	S	
					Min.	Max.								
1	1-11/16	3-5/32	1.563	2-15/16	4-1/4	5-1/8	6-1/16	1-1/2	11/16	1/2	1-5/8	.815	1.220	2.0
1-3/16	1-7/8	3-9/16	1.815	3-3/8	4-5/8	5-1/2	6-7/16	1-1/2	5/8	1/2	1-3/4	1.004	1.378	2.8
1-7/16	2-1/8	4	2.039	3-3/4	5-1/16	6-5/16	7-3/8	1-3/4	11/16	1/2	2	1.122	1.575	4.3
1-1/2	2-5/16	4-5/16	2.236	4	5-9/16	6-11/16	7-7/8	2	13/16	5/8	2-13/64	1.201	1.634	5.1
1-11/16, 1-3/4	2-5/16	4-7/16	2.461	4-1/4	5-13/16	6-11/16	7-7/8	2-1/8	7/8	5/8	2-21/64	1.260	1.693	5.3
1-15/16, 2	2-1/2	4-27/32	2.719	4-11/16	6-1/16	7-7/16	8-5/8	2-3/8	7/8	5/8	2-15/32	1.280	1.772	6.6
2-3/16, 2-1/4	2-3/4	5-11/32	2.978	5-3/16	6-11/16	7-13/16	9-1/4	2-5/8	15/16	3/4	2-11/16	1.378	1.909	8.6
2-7/16, 2-1/2	3	5-15/16	3.427	5-7/8	7-7/16	8-9/16	10	2-7/8	15/16	3/4	2-57/64	1.457	2.008	12.4
2-11/16	3-1/2	6-9/16	3.624	6-1/8	8-5/16	9-11/16	11-5/16	3	1	7/8	3-1/32	1.534	2.106	15.3
2-15/16, 3	3-1/2	6-3/4	3/835	6-1/2	8-5/16	9-11/16	11-5/16	3-1/8	1	7/8	3-3/32	1.537	2.185	15.8
3-7/16, 3-1/2	4	7-11/16	4.394	7-3/8	9-11/16	12-9/16	14-3/16	3-1/2	1-3/16	7/8	3-21/64	1.575	2.244	23.3

Part Numbers are specified by "PB350H" and Bore Size. Example: PB350H x 2-7/16.

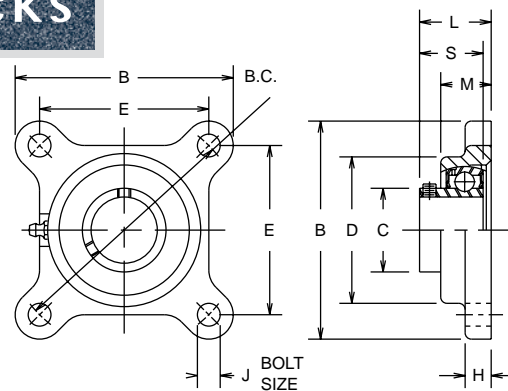
For Load Ratings, see page M-36. For Comparison Charts, see page M-44.

For replacement inserts use B350 Bearing Inserts, see page M-40.

# HUB-ALLOY® Flange Blocks

## Series FB350H

- ◆ Relube type. Prelubricated at factory
- ◆ Setscrew locking
- ◆ Self-aligning replacement bearing
- ◆ Nitrile rubber seals with steel trash guard
- ◆ Precision bored HUB-ALLOY® housing
- ◆ Higher strength and greater impact resistance than gray iron for high shock loads



Shaft Size	DIMENSIONS										Wt. Lbs.
	B	B.C.	C	D	E	H	J	L	M	S	
1	4-3/16	4-19/32	1.563	2-15/16	3-1/4	1/2	7/16	1-3/8	31/32	1.220	1.9
1-3/16	4-11/16	5-1/8	1.815	3-3/8	3-5/8	1/2	1/2	1-17/32	1-1/32	1.378	2.5
1-7/16	5-1/16	5-21/32	2.039	3-3/4	4	9/16	1/2	1-23/32	1-1/8	1.575	3.6
1-1/2	5-1/4	5-53/64	2.236	4	4-1/8	9/16	1/2	1-51/64	1-1/8	1.634	4.1
1-11/16, 1-3/4	5-1/2	6-3/16	2.461	4-1/4	4-3/8	5/8	1/2	1-55/64	1-1/8	1.693	4.8
1-15/16, 2	6-3/8	7-1/4	2.719	4-11/16	5-1/8	5/8	5/8	1-7/8	1-3/16	1.772	6.0
2-3/16, 2-1/4	6-7/8	7-61/64	2.978	5-3/16	5-5/8	11/16	5/8	2-1/32	1-1/4	1.909	7.4
2-7/16, 2-1/2	7-1/8	8-5/16	3.427	5-7/8	5-7/8	11/16	5/8	2-17/64	1-17/32	2.008	10.5
2-11/16	7-5/8	8-31/64	3.624	6-1/8	6	3/4	3/4	2-11/32	1-17/32	2.106	12.1
2-15/16, 3	7-5/8	8-31/64	3.835	6-1/2	6	13/16	3/4	2-7/16	1-21/32	2.185	13.5
3-7/16, 3-1/2	8-3/8	9-35/64	4.394	7-3/8	6-3/4	15/16	3/4	2-35/64	1-25/32	2.244	17.7

Part Numbers are specified by "FB350H" and Bore Size. Example: FB350H x 2-7/16.

For Load Ratings, see page M-36. For Comparison Charts, see page M-44.

For replacement inserts use B350 Bearing Inserts, see page M-40.

† Dimensions shown are for reference only.

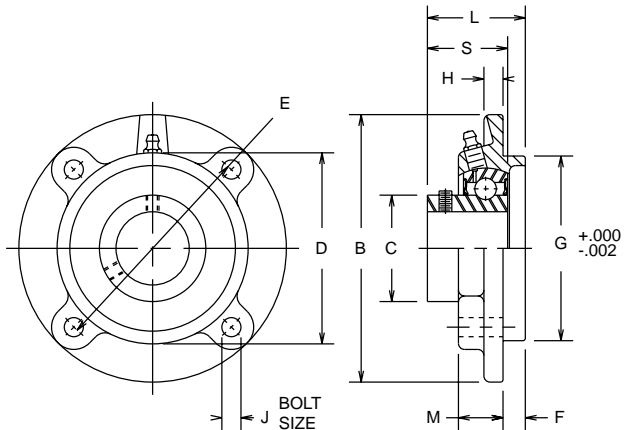
Certified prints are available upon request



# Cast Iron Flange Cartridge

## Series FC350

- ◆ Relube type. Prelubricated at factory
- ◆ Setscrew locking
- ◆ Self-aligning replacement bearing
- ◆ Nitrile rubber seals with steel trash guard
- ◆ Precision bored Cast Iron Housing



Shaft Size	DIMENSIONS											Wt. Lbs.
	B	C	D	E	F	G	H	J	L	M	S	
1-1/4	5	1.815	3-3/8	4-1/8	3/8	3.375	3/8	3/8	1-25/32	7/8	1.378	3.3
1-7/16	5-1/4	2.039	3-3/4	4-3/8	7/16	3.625	3/8	3/8	1-29/32	7/8	1.575	3.9
1-1/2	5-1/4	2.236	4	4-3/8	7/16	3.625	3/8	3/8	1-63/64	7/8	1.634	4.1
1-11/16, 1-3/4	6-1/8	2.461	4-1/4	5-1/8	15/32	4.250	3/8	1/2	2-5/64	7/8	1.693	5.5
1-15/16, 2	6-3/8	2.719	4-11/16	5-3/8	5/8	4.500	3/8	1/2	2-7/32	7/8	1.772	6.1
2-3/16, 2-1/4	7-1/8	2.978	5-3/16	6	7/8	5.000	1/2	1/2	2-21/32	1	1.909	8.9
2-7/16, 2-1/2	7-5/8	3.427	5-7/8	6-1/2	1	5.500	1/2	1/2	2-47/64	1	2.008	11.3
2-11/16	8-3/4	3.624	6-1/8	7-1/2	1	6.375	1/2	5/8	2-13/16	1	2.106	15.4
2-15/16, 3	8-3/4	3.835	7-1/2	7-1/2	1-1/8	6.375	1/2	5/8	2-29/32	1	2.185	15.2
3-7/16, 3-1/2	10-1/4	4.394	7-3/8	8-5/8	1-1/8	7.375	5/8	3/4	3-1/64	1-1/8	2.244	22.5

Part Numbers are specified by "FC350" and Bore Size. Example: FC350 x 1-1/2.

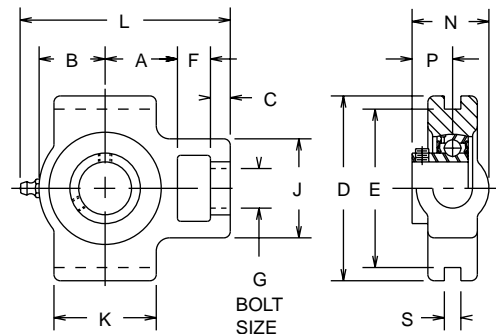
For Load Ratings, see page M-36. For Comparison Charts, see page M-45.

For replacement inserts use B350 Bearing Inserts, see page M-40.

# HUB-ALLOY® Take-Up Units

## Series TU350

- ◆ Relube type. Prelubricated at factory
- ◆ Setscrew locking
- ◆ Self-aligning replacement bearing
- ◆ Nitrile rubber seals with steel trash guard
- ◆ Precision bored HUB-ALLOY® housing
- ◆ Higher strength and greater impact resistance than gray iron for high shock loads



Shaft Size	Use With Frame No. ★	DIMENSIONS											Wt. Lbs.		
		A	B	C	D	E	F	G	J	K	L	N		P	S§
1-7/16	3 thru 18T200FH	1-7/8	1-7/8	5/8	4-1/2	4	3/4	1	2-5/8	2-15/16	5-1/2	2-1/32	1.122	5/16	4.0
1-1/2	3 thru 18T200FH	2-1/16	2	5/8	4-1/2	4	3/4	1	2-5/8	3-1/8	5-13/16	2-7/64	1.201	5/16	4.8
1-11/16, 1-3/4	3 thru 18T200FH	2-3/16	2-1/8	5/8	4-1/2	4	3/4	1	2-5/8	3-5/16	6-1/16	2-11/64	1.260	5/16	6.8
1-15/16, 2	9 thru 18T200JK	2-3/8	2-11/32	3/4	5-3/4	5-1/8	1	1-1/4	3-1/4	3-11/16	6-27/32	2-11/32	1.279	5/16	9.6
2-3/16, 2-1/4	9 thru 18T200JK	2-11/16	2-19/32	3/4	5-3/4	5-1/8	1	1-1/4	3-1/4	4-1/16	7-13/32	2-7/16	1.378	5/16	12.0
2-7/16, 2-1/2	—	3-5/16	2-15/16	3/4	6-9/16	5-15/16	1-1/4	1-1/2	3-3/4	4-3/4	8-5/8	2-53/64	1.457	5/16	16.0
2-15/16, 3	—	3-7/16	3-1/4	3/4	7-1/4	6-1/2	1-1/4	1-1/2	3-3/4	4-3/4	9-1/16	2-29/32	1.535	5/16	20.0

Part Numbers are specified by "TU350" and Bore Size. Example: TU350 x 2-1/4.

§ Take-Up Units with wider slots are available on a made-to-order basis.

For replacement inserts use B350 Bearing Inserts, see page M-40.

★ Take-Up Frames shown on page M-32.

For Load Ratings, see page M-36.

† Dimensions shown are for reference only.

Certified prints are available upon request

CALL: (605) 225-0360



FAX: (605) 225-0567

M-39

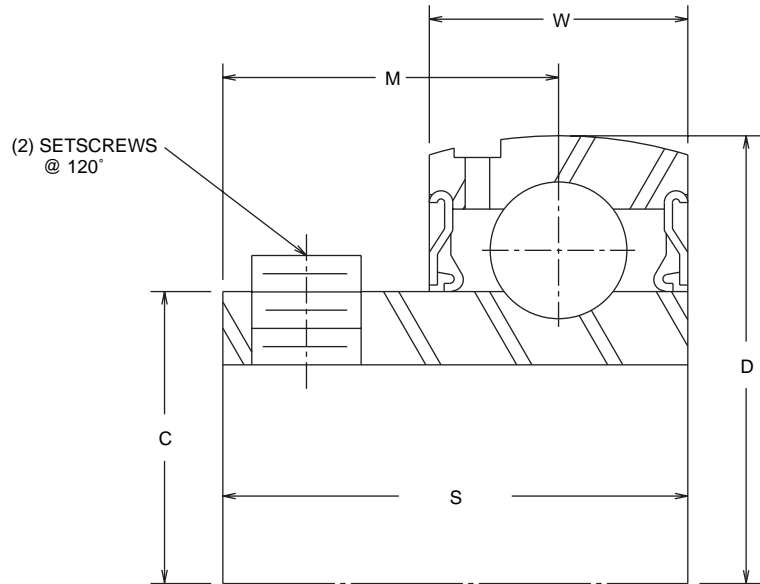
VISIT OUR WEB SITE AT WWW.CLARKTR.COM

HUB CITY INDUSTRIALINE™ BEARING UNITS

# Bearing Inserts

## Series B350

- ◆ Spherical outside diameter
- ◆ Relube type. Prelubricated at factory
- ◆ Molded glass fiber reinforced polyamide retainer
- ◆ Nitrile rubber seals with steel trash guard
- ◆ Setscrew locking
- ◆ Medium duty



Shaft Size	DIMENSIONS						Wt. Lbs.
	C	D	M	S	W	SETSCREW	
1	1.563	2.4409	.866	1.220	.709	5/16-24 UNF	1.0
1-3/16	1.815	2.8346	1.004	1.378	.748	5/16-24 UNF	1.3
1-7/16	2.039	3.1496	1.122	1.575	.827	5/16-24 UNF	1.6
1-1/2	2.236	3.3465	1.201	1.634	.866	5/16-24 UNF	1.9
1-11/16, 1-3/4	2.461	3.5433	1.260	1.693	.866	3/8-24 UNF	2.2
1-15/16, 2	2.719	3.9370	1.280	1.772	.984	3/8-24 UNF	2.6
2-3/16, 2-1/4	2.978	4.3307	1.378	1.909	1.024	3/8-24 UNF	3.1
2-7/16, 2-1/2	3.427	4.9213	1.457	2.008	1.102	3/8-24 UNF	5.1
2-11/16	3.624	5.1181	1.535	2.106	1.142	3/8-24 UNF	5.6
2-15/16, 3	3.835	5.5118	1.537	2.185	1.181	3/8-24 UNF	6.4
3-7/16, 3-1/2	4.394	6.2992	1.575	2.244	1.339	3/8-34 UNF	8.5

Part Numbers are specified by "B350" and Bore Size. Example: B350 x 1-1/2.

Used in PB350, PB350H Pillow Blocks, FB350, FB350H Flange Blocks, FC350 Flange Cartridges and TU350 Take-Up Units.

† Dimensions shown are for reference only.

Certified prints are available upon request

M-40

CALL: (605) 225-0360



FAX: (605) 225-0567

VISIT OUR WEB SITE AT [WWW.CLARKTR.COM](http://WWW.CLARKTR.COM)

# Interchange Comparisons

## Series PB100, PB150 HUB-ALLOY® Pillow Blocks High Shaft Height

## Series FB100, FB150 HUB-ALLOY® Three-Hole Flange Blocks

Shaft Size	Hub City	Boston	Browning	Sealmaster
	PB100 <sup>①</sup> PB150 <sup>②</sup>	XL <sup>①</sup>	VPS-M <sup>②</sup>	LP <sup>①</sup>
1/2	X 1/2	- 1/2	-108	-8
5/8	X 5/8	- 5/8	-110	-10
3/4	X 3/4	- 3/4	-112	-12
7/8	X 7/8	- 7/8	-114	-14
15/16	X 15/16	- 15/16	- 115	-15
1	X 1	-1	-116	-16
1-1/8	X 1-1/8	-1-1/8	-118	-18
1-3/16	X 1-3/16	-1-3/16	-119	-19
1-1/4S	X 1-1/4S	-1-1/4S	-120S	-20R
1-1/4	X 1-1/4	—	—	—
1-5/16	X 1-5/16	-1-5/16	—	—
1-3/8	X 1-3/8	-1-3/8	-122	-22
1-7/16	X 1-7/16	-1-7/16	-123	-23

Shaft Size	Hub City	Boston	Fafnir	Browning	PTC	Sealmaster	Dodge
	FB100 <sup>①</sup> FB150 <sup>②</sup>	XL3 <sup>①</sup>	VFD <sup>①</sup> GVFD <sup>②</sup>	VF3S-M <sup>②</sup>	F-W-U/E <sup>①</sup> F-WG-U/E <sup>②</sup>	LF <sup>①</sup>	SCLF N/L <sup>①</sup> SCLF <sup>②</sup>
1/2	X 1/2	- 1/2	- 1/2	-108	2B08	—	- 1/2
5/8	X 5/8	- 5/8	- 5/8	-110	210	—	- 5/8
3/4	X 3/4	- 3/4	- 3/4	-112	212	-12	- 3/4
7/8	X 7/8	- 7/8	- 7/8	-114	214	-14	- 7/8
15/16	X 15/16	- 15/16	- 15/16	-115	215	-15	- 15/16
1	X 1	-1	-1	-116	216	-16	-1
1-1/8	X 1-1/8	-1-1/8	-1-1/8	-118	218	-18	-1-1/8
1-3/16	X 1-3/16	-1-3/16	-1-3/16	-119	219	-19	-1-3/16
1-1/4S	X 1-1/4S	-1-1/4S	-1-1/4S	-120S	2E20	-20R	-1-1/4, 206
1-1/4	X 1-1/4	—	-1-1/4	—	220	-20	-1-1/4, 207
1-5/16	X 1-5/16	-1-5/16	-1-5/16	—	221	—	-1-5/16
1-3/8	X 1-3/8	-1-3/8	-1-3/8	-122	222	-22	-1-3/8
1-7/16	X 1-7/16	-1-7/16	-1-7/16	-123	223	-23	-1-7/16

① Non-Relube – Setscrew Lock  
② Relube – Setscrew Lock

① Non-Relube – Setscrew Lock  
② Relube – Setscrew Lock

## Series FB110, FB160 HUB-ALLOY® Two-Hole Flange Blocks

## Series TPB250, TPB250W Cast Iron Tapped Base Pillow Blocks

Shaft Size	Hub City	Boston	Fafnir	Browning	PTC	Sealmaster	Dodge
	FB110 <sup>①</sup> FB160 <sup>②</sup>	XL2 <sup>②</sup>	VFTD <sup>①</sup> GVFTD <sup>②</sup>	VF2S-M <sup>②</sup>	FX-W-U <sup>③</sup> FX-WG-U <sup>④</sup>	LFT <sup>①</sup>	SCLFT N/L <sup>①</sup> SCLFT <sup>②</sup>
1/2	X 1/2	- 1/2	- 1/2	-108	2B08	-8	- 1/2
5/8	X 5/8	- 5/8	- 5/8	-110	210	-10	- 5/8
3/4	X 3/4	- 3/4	- 3/4	-112	212	-12	- 3/4
7/8	X 7/8	- 7/8	- 7/8	-114	214	-14	- 7/8
15/16	X 15/16	- 15/16	- 15/16	-115	215	-15	- 15/16
1	X 1	-1	-1	-116	216	-16	-1
1-1/8	X 1-1/8	-1-1/8	-1-1/8	-118	218	-18	-1-1/8
1-3/16	X 1-3/16	-1-3/16	-1-3/16	-119	219	-19	-1-3/16
1-1/4S	X 1-1/4S	-1-1/4S	-1-1/4S	-120S	2E20	-20R	-1-1/4, 206
1-1/4	X 1-1/4	—	-1-1/4	—	220	-20	-1-1/4, 207
1-5/16	X 1-5/16	-1-5/16	-1-5/16	—	221	—	-1-5/16
1-3/8	X 1-3/8	-1-3/8	-1-3/8	-122	222	-22	-1-3/8
1-7/16	X 1-7/16	-1-7/16	-1-7/16	-123	223	-23	-1-7/16

① Non-Relube – Setscrew Lock  
② Relube – Setscrew Lock

③ Non-Relube – Eccentric Lock  
④ Relube – Eccentric Lock

Shaft Size	Hub City	Browning	Sealmaster	Dodge
	TPB250 <sup>①</sup> TPB250W <sup>①</sup>	MTBS <sup>①</sup> VTBS <sup>①</sup>	TB <sup>①</sup> RTB <sup>①</sup>	SCTB <sup>①</sup>
1/2	X 1/2	-208 <sup>②</sup>	-8	- 1/2
5/8	X 5/8	-210	-10	- 5/8
3/4	X 3/4	-212	-12	- 3/4
7/8	X 7/8	-214 <sup>②</sup>	-14	- 7/8
15/16	X 15/16	-215	-15	- 15/16
1	X 1	-216	-16	-1
1-1/8	X 1-1/8	-218 <sup>②</sup>	-18	-1-1/8
1-3/16	X 1-3/16	-219	-19	-1-3/16
1-1/4S	X 1-1/4S	-220S <sup>②</sup>	-20R	-1-1/4, 206
1-1/4	X 1-1/4	-220	-20	-1-1/4, 207
1-5/16	X 1-5/16	—	-21 <sup>③</sup>	-1-5/16
1-3/8	X 1-3/8	-222	-22	-1-3/8
1-7/16	X 1-7/16	-223	-23	-1-7/16
1-1/2	X 1-1/2	-224	-24	—
1-5/8	X 1-5/8	-226 <sup>②</sup>	-26	—
1-11/16	X 1-11/16	-227 <sup>②</sup>	-27	—
1-3/4	X 1-3/4	-228	-28	—
1-15/16	X 1-15/16	-231	-31	—
2S	X 2S	—	-32R	—
2	X 2	-232	—	—
2-3/16	X 2-3/16	—	—	—

① Non-Relube – Setscrew Lock      ② Not available in MTBS Series  
③ Not available in RTB Series

INTERCHANGES ARE FOR COMPARISON PURPOSES; DIMENSIONS AND RATINGS MAY VARY.

HUB CITY INDUSTRIALINE™ BEARING UNITS

# Interchange Comparisons

## Series PB220, PB220W, PB250, PB250W Cast Iron, PB220HW, PB250HW HUB-ALLOY® Pillow Blocks - Low

Shaft Size	Hub City	Boston	Dodge	Fafnir	Browning	PTC	Sealmaster	SKF	McGill
	PB220 ① PB250 ② PB220W ① ⑦ PB250W ② ⑦ PB220HW ① ⑦ PB250HW ② ⑦	L ① ⑥ SL ②	SCB ② VSCB ② ⑦ SXR ① SXVB ① ⑦	LAK ① RAK ① TAK ① VAK ①	MPLS ② MPLE ① VPLS ② ④ VPLE ① ④	PL3-U ② PL3-Y ① PL3-W ①	NPL ② RPL ② ⑦ VPL ② ⑦	SYHP ③ ⑧ SYH-X ②	CL-25 ②
1/2	X 1/2	- 1/2	—	- 1/2	-108/208	2B08N/U	-8	-8	- 1/2
5/8	X 5/8	- 5/8	—	-5/8	-110/210	210N/U	-10	-10	- 5/8
3/4	X 3/4	- 3/4	- 3/4	- 3/4	-112/212	212N/U	-12	-12	- 3/4
7/8	X 7/8	- 7/8	- 7/8	- 7/8	-114/214	214N/U	-14	-14	- 7/8
15/16	X 15/16	- 15/16	- 15/16	- 15/16	-115/215	215N/U	-15	-15	- 15/16
1	X 1	-1	-1	-1	-116/216	216N/U	-16	-100	-1
1-1/8	X 1-1/8	-1-1/8	-1-1/8	-1-1/8	-118/218	218N/E	-18	-102	-1-1/8
1-3/16	X 1-3/16	-1-3/16	-1-3/16	-1-3/16	-119/219	219N/E	-19	-103	-1-3/16
1-1/4S	X 1-1/4S	-1-1/4S	-1-1/4, 206	—	-120S/220S	2E20N/E	-20R	-104A	-1-1/4S
1-1/4	X 1-1/4	-1-1/4	-1-1/4, 207	-1-1/4	-220	220N/E	-20	-104	-1-1/4
1-5/16	X 1-5/16	-1-5/16	-1 5/16	-1-5/16	—	221N/E	-21	-105	—
1-3/8	X 1-3/8	-1-3/8	-1-3/8	-1-3/8	-122/222	222N/E	-22	-106	-1-3/8
1-7/16	X 1-7/16	-1-7/16	-1-7/16	-1-7/16	-123/223	223N/E	-23	-107	-1-7/16
1-1/2	X 1-1/2	-1-1/2	-1-1/2	‡-1-1/2	-224	224N/E	-24	-108	-1-1/2
1-5/8	X 1-5/8	-1-5/8	‡-1-5/8	-1-5/8	-226	226N/U	-26	-110	-1-5/8
1-11/16	X 1-11/16	-1-11/16	-1-11/16	-1-11/16	-227	227N/U	-27	-111	-1-11/16
1-3/4	X 1-3/4	-1-3/4	-1-3/4	-1-3/4	-228	228N/U	-28	-112	-1-3/4
1-7/8	X 1-7/8	—	—	-1-7/8	—	230N/U	-30	—	—
1-15/16	X 1-15/16	-1-15/16	-1-15/16	-1-15/16	-231	231N/U	-31	-115	-1-15/16
2S	X 2S	—	-2, 210	-2S	—	2E32N/U	-2R	—	-2
2	X 2	-2	—	-2	-232	232N	-32	-200	-2L
2-3/16	X 2-3/16	-2-3/16	-2-7/16	-2 3/16	-235	235N	-35	-203	-2-3/16
2 1/4	X 2 1/4	-2-1/4	‡-2-1/4	-2 1/4	-236	236N	-36	-204	-2-1/4
2 7/16	X 2 7/16	-2-7/16	-2-7/16	-2 7/16	-239	239N	-39	-207	-2-3/8
2 15/16	X 2 15/16	—	—	‡-2 15/16	-247	—	—	-215	‡-2-15/16

- ① Relube — Eccentric Lock
- ② Relube — Setscrew Lock
- ③ Non-Relube — Eccentric Lock
- ④ VPLE and VPLS available in 100 and 200 Series
- ⑤ U or E Suffix on PL3-W only
- ⑥ 3 thru 12 Prefix on L Series
- ⑦ Not all sizes available
- ⑧ 1 7/16 maximum shaft size
- ‡ Not dimensionally interchangeable

## Series PB221, PB221W, PB251, PB251W Cast Iron, PB221HW, PB251HW HUB-ALLOY® Pillow Blocks - High

Shaft Size	Hub City	Boston	Dodge	Fafnir	Browning	PTC	Sealmaster	SKF	McGill
	PB221 ① PB251 ② PB221W ① ⑦ PB251W ② ⑦ PB221HW ① ⑦ PB251HW ② ⑦	H ① ⑥ SH ②	SC ② VSC ② ⑦ SXR ① ⑦ SXV ① ⑦	LAS ① RAS ① RASC ② SAS ② TAS ① VAS ①	MPS ② MPE ① VPS ② ④ VPE ① ④	P3-U ② P3-Y ① P3-W ① ⑤	NP ② RP ② ⑦ VP ② ⑦	SY ② SYP ③ ⑧	C-25 ②
1/2	X 1/2	- 1/2	1/2, 203	- 1/2	-108/208	2B08N/U	- 8	- 8	- 1/2
5/8	X 5/8	- 5/8	5/8, 203	- 5/8	-110/210	210N/U	-10	-10	- 5/8
3/4	X 3/4	- 3/4	- 3/4	- 3/4	-112/212	212N/U	-12	-12	- 3/4
7/8	X 7/8	- 7/8	- 7/8	- 7/8	-114/214	214N/U	-14	-14	- 7/8
15/16	X 15/16	- 15/16	- 15/16	- 15/16	-115/215	215N/U	-15	-15	- 15/16
1	X 1	-1	-1	-1	-116/216	216N/U	-16	-100	-1
1-1/8	X 1-1/8	-1-1/8	‡-1-1/8	-1-1/8	-118/218	218N/E	-18	-102	-1-1/8
1-3/16	X 1-3/16	-1-3/16	-1-3/16	-1-3/16	-119/219	219N/E	-19	-103	-1-3/16
1-1/4S	X 1-1/4S	-1-1/4S	-1-1/4, 206	—	-120S/220S	2E20N/E	-20R	-104A	-1-1/4S
1-1/4	X 1-1/4	-1-1/4	-1-1/4, 207	-1-1/4	-220	220N/E	-20	-104	-1-1/4
1-5/16	X 1 5/16	-1-5/16	-1-5/16	-1-5/16	—	221N/E	-21	-105	—
1-3/8	X 1-3/8	-1-3/8	-1-3/8	-1-3/8	-122/222	222N/E	-22	-106	-1-3/8
1-7/16	X 1-7/16	-1-7/16	-1-7/16	-1-7/16	-123/223	223N/E	-23	-107	-1-7/16
1-1/2	X 1-1/2	-1-1/2	‡-1-1/2	‡-1-1/2	-224	224N/E	‡-24	-108	-1-1/2
1-5/8	X 1-5/8	-1-5/8	-1-5/8	-1-5/8	-226	226N/U	-26	-110	-1-5/8
1-11/16	X 1-11/16	-1-11/16	-1-11/16	-1-11/16	-227	227N/U	-27	-111	-1-11/16
1-3/4	X 1-3/4	-1-3/4	-1-3/4	-1-3/4	-228	228N/U	-28	-112	-1-3/4
1-7/8	X 1-7/8	—	—	-1-7/8	—	230N/U	-30	—	—
1-15/16	X 1-15/16	-1-15/16	-1 15/16	-1 15/16	-231	231N/U	-31	-115	-1-15/16
2S	X 2S	—	-2, 210	-2S	—	2E32N/U	-2R	—	-2
2	X 2	-2	-2, 211	-2	-232	232N	-32	-200	-2L
2-3/16	X 2 3/16	-2-3/16	-2 3/16	-2-3/16	-235	235N	-35	-203	-2-3/16
2-1/4	X 2-1/4	-2-1/4	-2 1/4, 212	-2-1/4	-236	236N	-36	-204	-2-1/4
2-7/16	X 2-7/16	-2-7/16	-2 7/16	-2 7/16	-239	239N	-39	-207	-2-7/16
2-15/16	X 2-15/16	—	‡-2 15/16	‡-2-15/16	-247	—	—	-215	‡-2-15/16

- ① Relube — Eccentric Lock
- ② Relube — Setscrew Lock
- ③ Non-Relube — Eccentric Lock
- ④ VPE and VPS available in 100 and 200 Series
- ⑤ U or E Suffix on P3-W only
- ⑥ 3 thru 12 Prefix on H Series
- ⑦ Not all sizes available
- ⑧ 1 7/16 maximum shaft size
- ‡ Not dimensionally interchangeable

INTERCHANGES ARE FOR COMPARISON PURPOSES; DIMENSIONS AND RATINGS MAY VARY.

# Interchange Comparisons

## Series FB220, FB250 Cast Iron; FB220HW, FB250HW HUB ALLOY® 4-Hole Flange Blocks

- ① Relube – Eccentric Lock
- ② Relube – Setscrew Lock
- ③ Non-Relube – Eccentric Lock
- ④ VF4E and VF4S available in 100 and 200 Series
- ⑤ U or E Suffix on F3-W only
- ⑥ 3 thru 12 Prefix on F Series
- ⑦ Not all sizes available
- ⑧ 1-7/16 maximum shaft size
- ‡ Not dimensionally interchangeable

Shaft Size	Hub City	Boston	Dodge	Fafnir	Browning	PTC	Sealmaster	SKF	McGill
	FB220① FB250② FB220HW①⑦ FB250HW②⑦	F1⑥ SF②	SC4② VSC4②⑦ SXR4①⑦ SXV4①⑦	LCJ① RCJ① RCJC② SCJ② TCJ① VCJ①	MF4S② MF4E① VF-4S②④ VF4E①④	F3-U② F3-Y① F3-W①⑤	SF② RF②⑦ VF②⑦	FYP③⑧ FY② FY-X① FY-TM② FY-WN①⑦	FC4-25②
1/2	X 1/2	- 1/2	- 1/2, 203	- 1/2	-108/208	2B08N/U	-8	-8	- 1/2
5/8	X 5/8	- 5/8	- 5/8, 203	- 5/8	-110/210	210N/U	-10	-10	- 5/8
3/4	X 3/4	- 3/4	- 3/4	- 3/4	-112/212	212N/U	-12	-12	- 3/4
7/8	X 7/8	- 7/8	- 7/8	- 7/8	-114/214	214N/U	-14	-14	- 7/8
15/16	X 15/16	- 15/16	- 15/16	- 15/16	-115/215	215N/U	-15	-15	- 15/16
1	X 1	-1	-1	-1	-116/216	216N/U	-16	-100	-1
1-1/8	X 1-1/8	-1-1/8	-1-1/8	-1-1/8	-118/218	218N/E	-18	-102	-1-1/8
1-3/16	X 1-3/16	-1-3/16	-1-3/16	-1-3/16	-119/219	219N/E	-19	-103	-1-3/16
1-1/4S	X 1-1/4S	-1-1/4S	-1-1/4, 206	—	-120S/220S	2E20N/E	-20R	—	-1-1/4S
1-1/4	X 1-1/4	-1-1/4	-1-1/4, 207	-1-1/4	-220	220N/E	-20	-104	-1-1/4
1-5/16	X 1-5/16	-1-5/16	-1-5/16	-1-5/16	—	221N/E	-21	-105	-1-5/16
1-3/8	X 1-3/8	-1-3/8	-1-3/8	-1-3/8	-122/222	222N/E	-22	-106	-1-3/8
1-7/16	X 1-7/16	-1-7/16	-1-7/16	-1-7/16	-123/223	223N/E	-23	-107	-1-7/16
1-1/2	X 1-1/2	-1-1/2	-1-1/2	-1-1/2	-224	224N/E	-24	-108	-1-1/2
1-5/8	X 1-5/8	-1-5/8	‡-1-5/8	-1-5/8	-226	226N/U	-26	-110	-1-5/8
1-11/16	X 1-11/16	-1-11/16	-1-11/16	-1-11/16	-227	227N/U	-27	-111	-1-11/16
1-3/4	X 1-3/4	-1-3/4	-1-3/4	-1-3/4	-228	228N/U	-28	-112	-1-3/4
1-7/8	X 1-7/8	—	—	-1-7/8	—	230N/U	-30	—	-1-7/8
1-15/16	X 1-15/16	-1-15/16	-1-15/16	-1-15/16	-231	231N/U	-31	-115	-1-15/16
2S	X 2S	—	-2, 210	-2S	—	2E32N/U	-32R	—	-2
2	X 2	-2	-2, 211	-2	-232	232N	-32	-200	-2L
2-3/16	X 2-3/16	-2-3/16	-2-3/16	-2-3/16	-235	235N	-35	-203	-2-3/16
2-1/4	X 2-1/4	-2-1/4	-2-1/4, 212	-2-1/4	-236	236N	-36	-204	-2-1/4
2-7/16	X 2-7/16	-2-7/16	-2-7/16	-2-7/16	-239	239N	-39	-207	-2-7/16
2-15/16	X 2-15/16	—	-2-15/16	-2-15/16	-247	—	-47	-215	-2-15/16



## Series FB230, FB260 Cast Iron; FB230HW, FB260HW HUB ALLOY® 2-Hole Flange Blocks

- ① Relube – Eccentric Lock
- ② Relube – Setscrew Lock
- ③ Non-Relube – Eccentric Lock
- ④ VF2E and VF2S available in 100 and 200 Series
- ⑤ U or E Suffix on F3-W only
- ⑥ 3 thru 7 Prefix on T Series
- ⑦ Not all sizes available
- ⑧ 1-7/16 maximum shaft size
- ‡ Not dimensionally interchangeable

Shaft Size	Hub City	Boston	Dodge	Fafnir	Browning	PTC	Sealmaster	SKF	McGill
	FB230① FB260② FB230HW①⑦ FB260HW②⑦	T1⑥ ST②	SC2② VSC2②⑦ SXR2①⑦ SXV2①⑦	LCJT① RCJT① RCJCT② SCJT② TCJT① VCJT①	MF2S② MF2E① VF2S②④ VF2E①④	FX3-U② FX3-Y① FX3-W①⑤	SFT② RFT②⑦ VFT③⑦	FYP-P③⑧ FYTJ-S②⑦ FYTJ-X①⑦ FYT-FM③	FC2-25③
1/2	X 1/2	- 1/2	- 1/2, 203	- 1/2	-108/208	2B08N/U	-8	-8	- 1/2
5/8	X 5/8	- 5/8	- 5/8, 203	- 5/8	-110/210	210N/U	-10	-10	- 5/8
3/4	X 3/4	- 3/4	- 3/4	- 3/4	-112/212	212N/U	-12	-12	- 3/4
7/8	X 7/8	- 7/8	- 7/8	- 7/8	-114/214	214N/U	-14	-14	- 7/8
15/16	X 15/16	- 15/16	- 15/16	- 15/16	-115/215	215N/U	-15	-15	- 15/16
1	X 1	-1	-1	-1	-116/216	216N/U	-16	-100	-1
1-1/8	X 1-1/8	-1-1/8	-1-1/8	-1-1/8	-118/218	218N/E	-18	-102	-1-1/8
1-3/16	X 1-3/16	-1-3/16	-1-3/16	-1-3/16	-119/219	219N/E	-19	-103	-1-3/16
1-1/4S	X 1-1/4S	-1-1/4S	-1-1/4, 206	—	-120S/220S	2E20N/E	-20R	—	-1-1/4S
1-1/4	X 1-1/4	-1-1/4	-1-1/4, 207	-1-1/4	-220	220N/E	-20	-104	-1-1/4
1-5/16	X 1-5/16	-1-5/16	-1-5/16	-1-5/16	—	221N/E	-21	-105	-1-5/16
1-3/8	X 1-3/8	-1-3/8	-1-3/8	-1-3/8	-122/222	222N/E	-22	-106	-1-3/8
1-7/16	X 1-7/16	-1-7/16	-1-7/16	-1-7/16	-123/223	223N/E	-23	-107	-1-7/16
1-1/2	X 1-1/2	—	-1-1/2	-1-1/2	-224	224N/E	-24	-108	-1-1/2
1-5/8	X 1-5/8	—	‡-1-5/8	-1-5/8	-226	226N/U	-26	-110	-1-5/8
1-11/16	X 1-11/16	—	-1-11/16	-1-11/16	-227	227N/U	-27	-111	-1-11/16
1-3/4	X 1-3/4	—	-1-3/4	-1-3/4	-228	228N/U	-28	-112	-1-3/4
1-7/8	X 1-7/8	—	—	-1-7/8	—	230N/U	-30	—	-1-7/8
1-15/16	X 1-15/16	—	-1-15/16	-1-15/16	-231	231N/U	-31	-115	-1-15/16
2S	X 2S	—	-2	-2S	—	2E32N/U	-32R	—	-2
2	X 2	—	—	-2	-232	232N	-32	-200	-2L
2-3/16	X 2-3/16	—	—	-2-3/16	-235	235N	-35	-203	-2-3/16
2-1/4	X 2-1/4	-2-1/4	—	—	—	—	—	—	—
2-7/16	X 2-7/16	-2-7/16	—	—	—	—	—	—	—

INTERCHANGES ARE FOR COMPARISON PURPOSES; DIMENSIONS AND RATINGS MAY VARY.



HUB CITY INDUSTRIALINE™ BEARING UNITS

# Interchange Comparisons

## Series WSTU220, WSTU250 HUB-ALLOY® Wide Slot Take-Up Units

Shaft Size	Hub City		Dodge	Fafnir	Browning		PTC	Sealmaster		SKF	
	WSTU220 <sup>①</sup>	WSTU250 <sup>②</sup>	SC <sup>②</sup> SXR <sup>①⑦</sup> S XV <sup>①⑦</sup>	RTU <sup>①</sup>	VTWE <sup>①</sup>	MTWS <sup>②</sup> VTWS <sup>②</sup>	TH3-U <sup>②</sup>	ST <sup>②</sup>	RT <sup>②</sup>	TB <sup>②</sup>	TBX <sup>①</sup>
3/4	X 3/4	X 3/4	- 3/4	- 3/4	-212	-212	212N	—	-12	-12	-12
7/8	X 7/8	X 7/8	-7/8	-7/8	-214	-214	214N	—	-14	-14	-14
15/16	X 15/16	X 15/16	-15/16	-15/16	-215	-215	215N	-15	-15	-15	-15
1	X 1	X 1	-1	-1	-216	-216	216N	-16	-16	-100	-100
1-1/8	X 1-1/8	X 1-1/8	-1-1/8	-1-1/8	-218	-218	218N	—	-18	-102	-102
1-3/16	X 1-3/16	X 1-3/16	-1-3/16	-1-3/16	-219	-219	219N	-19	-19	-103	-103
1-1/4S	X 1-1/4S	X 1-1/4S	-1-1/4, 206	—	—	—	2E20N	-20R	-20R	—	—
1-1/4	X 1-1/4	X 1-1/4	-1-1/4, 207	-1-1/4	-220	-220	220N	-20	-20	-104	-104
1-5/16	X 1-5/16	X 1-5/16	-1-5/16	-1-5/16	—	—	221N	—	—	-105	-105
1-3/8	X 1-3/8	X 1-3/8	-1-3/8	-1-3/8	-222	-222	222N	—	-22	-106	-106
1-7/16	X 1-7/16	X 1-7/16	-1-7/16	-1-7/16	-223	-223	223N	-23	-23	-107	-107
1-1/2	X 1-1/2	X 1-1/2	-1-1/2	-1-1/2	-224	-224	224N	-24	-24	-108	-108
1-5/8	X 1-5/8	X 1-5/8	-1-5/8	-1-5/8	-226	-226	226N	—	-26	-110	-110
1-11/16	X 1-11/16	X 1-11/16	-1-11/16	-1-11/16	-227	-227	227N	-27	-27	-111	-111
1-3/4	X 1-3/4	X 1-3/4	-1-3/4	-13/4	-228	-228	228N	-28	-28	-112	-112
1-7/8	X 1-7/8	X 1-7/8	—	-1-7/8	—	—	230N	—	-30	—	—
1-15/16	X 1-15/16	X 1-15/16	-1-15/16	-1-15/16	-231	-231	231N	-31	-31	-115	-115
2S	—	X 2S	-2, 210	—	—	—	2E32N	-32R	-32R	—	—
2	X 2	X 2	-2, 211	-2	-232	-232	232N	-32	-32	-200	-200
2-3/16	X 2-3/16	X 2-3/16	-2-3/16	-2-3/16	-235	-235	235N	-35	-35	-203	-203
2-1/4	X 2-1/4	X 2-1/4	-2-1/4, 212	-2-1/4	—	—	236N	-36	-36	-204	-204
2-7/16	X 2-7/16	X 2-7/16	-2-7/16	-2-7/16	-239	-239	239N	-39	-39	-207	-207

① Relube – Eccentric Lock

② Relube – Setscrew Lock

## Series PB350 Cast Iron, PB350H HUB-ALLOY® Pillow Blocks

Shaft Size	Hub City	Boston	Dodge	Fafnir	Browning	Sealmaster	SKF	McGill
	PB350 <sup>①</sup> PB350H <sup>①</sup>	MB <sup>①</sup>	SCM <sup>①</sup>	RAKH <sup>②</sup> LAKH <sup>②③</sup>	MPS <sup>①</sup> VPS <sup>①</sup>	MP <sup>①</sup> MRP <sup>①③</sup>	SYM-TM <sup>①</sup>	C-35 <sup>①</sup>
1	X 1	—	-1	‡-1	‡-316	‡-16	—	-1
1-3/16	X 1-3/16	—	-1-3/16	-1-3/16	-319	-19	—	-1-3/16
1-7/16	X 1-7/16	-1-7/16	-1-7/16	-1-7/16	-323	-23	-1-7/16	-1-7/16
1-1/2	X 1-1/2	-1-1/2	‡-1-1/2	-1-1/2	-324	-24	-1-1/2	-1-1/2
1-11/16	X 1-11/16	-1-11/16	‡-1-11/16	-1-11/16	-327	-27	-1-11/16	‡-1-11/16
1-3/4	X 1-3/4	-1-3/4	‡-1-3/4	-1-3/4	-238	-28	-1-3/4	-1-3/4
1-15/16	X 1-15/16	-1-15/16	-1-15/16	-1-15/16	-331	-31	-1-15/16	-1-15/16
2	X2	-2	-2	‡-2	-332	-32	-2	-2
2-3/16	X 2-3/16	-2-3/16	-2-3/16	-2-3/16	-335	-35	-2-3/16	-2-3/16
2-1/4	X 2-1/4	-2-1/4	-2-1/4	‡-2-1/4	-336	-36	-2-1/4	-2-1/4
2-7/16	X 2-7/16	-2-7/16	-2-7/16	-2-7/16	-339	-39	-2-7/16	-2-7/16
2-1/2	X 2-1/2	-2-1/2	-2-1/2	—	-340	-40	-2-1/2	-2-1/2
2-11/16	X 2-11/16	-2-11/16	-2-11/16	-2-11/16	-343	-43	-2-11/16	-2-11/16
2-15/16	X 2-15/16	-2-15/16	-2-15/16	-2-15/16	-347	-47	-2-15/16	-2-15/16
3	X 3	-3	-3	—	-348	-48	-3	-3
3-7/16	X 3-7/16	-3-7/16	-3-7/16	—	-355	-55	-3-7/16	-3-7/16
3-1/2	X 3-1/2	-3-1/2	-3-1/2	—	-356	-56	-3-1/2	-3-1/2

① Relube – Setscrew Lock ② Relube – Eccentric Lock ③ Not all sizes available ‡ Not dimensionally interchangeable

INTERCHANGES ARE FOR COMPARISON PURPOSES, DIMENSIONS AND RATINGS MAY VARY.

# Interchange Comparisons

## Series FB350 Cast Iron; FB350H HUB-ALLOY® Four-Hole Flange Blocks

Shaft Size	Hub City	Boston	Dodge	Fafnir	Browning	Sealmaster	SKF	McGill
	FB350 ① FB350H ①	MBF ①	SCM-4 ①	RCJO ②	MF4S ① VF4S ①	MSF ① MRF ①	FLY-TM ①	FC4-35 ①
1	X 1	—	-1	—	-316	-16	—	-1
1-3/16	X 1-3/16	—	-1-3/16	-1-3/16	-319	-19	—	-1-3/16
1-7/16	X 1-7/16	-1-7/16	-1-7/16	-1-7/16	-323	-23	-1-7/16	-1-7/16
1-1/2	X 1-1/2	-1-1/2	-1-1/2	-1-1/2	-324	-24	-1-1/2	-1-1/2
1-11/16	X 1-11/16	-1-11/16	-1-11/16	-1-11/16	-327	-27	-1-11/16	-1-11/16
1-3/4	X 1-3/4	-1-3/4	-1-3/4	—	-328	-28	-1-3/4	-1-3/4
1-15/16	X 1-15/16	-1-15/16	-1-15/16	-1-15/16	-331	-31	-1-15/16	-1-15/16
2	X 2	-2	-2	—	-332	-32	-2	-2
2-3/16	X 2-3/16	-2-3/16	-2-3/16	-2-3/16	-335	-35	-2-3/16	-2-3/16
2-1/4	X 2-1/4	-2-1/4	-2-1/4	—	-336	-36	-2-1/4	-2-1/4
2-7/16	X 2-7/16	-2-7/16	-2-7/16	-2-7/16	-339	-39	-2-7/16	-2-7/16
2-1/2	X 2-1/2	-2-1/2	-2-1/2	—	-340	-40	-2-1/2	-2-1/2
2-11/16	X 2-11/16	-2-11/16	-2-11/16	-2-11/16	-343	-43	-2-11/16	-2-11/16
2-15/16	X 2-15/16	-2-15/16	-2-15/16	-2-15/16	-347	-47	-2-15/16	-2-15/16
3	X 3	-3	-3	—	-348	-48	-3	-3
3-7/16	X 3-7/16	-3-7/16	-3-7/16	-3-7/16	-355	-55	-3-7/16	-3-7/16
3-1/2	X 3-1/2	-3-1/2	-3-1/2	—	-356	-56	-3-1/2	-3-1/2

① Relube – Setscrew Lock

② Relube – Eccentric Lock



## Series FC350 Cast Iron Four-Hole Flange Cartridges

Shaft Size	Hub City	Boston	Dodge	Fafnir	Browning	Sealmaster	McGill
	FC350 ①	MBP ①	SCM ①	RFC ②	MFCS ① VFCS ①	MFC ① MRFC ①	PFC4-35 ①
1-1/4	X 1-1/4	—	—	-1-1/4S	-320	-20	-1-1/4
1-7/16	X 1-7/16	-1-7/16	-1-7/16	-1-7/16	-323	-23	-1-7/16
1-1/2	X 1-1/2	-1-1/2	-1-1/2	-1-1/2	-234	-24	-1-1/2
1-11/16	X 1-11/16	-1-11/16	-1-11/16	-1-11/16	-327	-27	-1-11/16
1-3/4	X 1-3/4	-1-3/4	-1-3/4	-1-3/4	-328	-28	-1-3/4
1-15/16	X 15/16	-1-15/16	-1-15/16	-1-15/16	-331	-31	-1-15/16
2	X 2	-2	-2	-2	-332	-32	-2
2-3/16	X 2-3/16	-2-3/16	-2-3/16	-2-3/16	-335	-35	-2-3/16
2-1/4	X 2-1/4	-2-1/4	-2-1/4	—	-336	-36	-2-1/4
2-7/16	X 2-7/16	-2-7/16	-2-7/16	—	-339	-39	-2-7/16
2-1/2	X 2-1/2	-2-1/2	-2-1/2	—	-340	-40	-2-1/2
2-11/16	X 2-11/16	-2-11/16	—	—	-343	-43	-2-11/16
2-15/16	X 2-15/16	-2-15/16	-2-15/16	—	-347	-47	-2-15/16
3	X 3	-3	-3	—	-348	-48	-3
3-7/16	X 3-7/16	-3-7/16	-3-7/16	—	-355	-55	-3-7/16
3-1/2	X 3-1/2	-3-1/2	-3-1/2	—	-356	-56	-3-1/2

① Relube – Setscrew Lock

② Relube – Eccentric Lock

INTERCHANGES ARE FOR COMPARISON PURPOSES, DIMENSIONS AND RATINGS MAY VARY.

HUB CITY INDUSTRIALINE™ BEARING UNITS

## Type E Tapered Roller Bearing Units

### General Information

Hub City offers a wide range of products in the Type E mounted bearing product line. These include 2 and 4 bolt pillow blocks, 4 hole flange blocks, and 4 hole piloted flange cartridges. Two row tapered roller bearings with extended inner race and setscrew locking collars on both ends are used. Housings are gray cast iron.

### Bearings

Two row tapered roller bearings are used for heavy duty radial load capacity, and combined radial and thrust loads. Tapered roller bearings provide higher load capacity and longer life compared to ball bearings. Races and rollers are manufactured from electric furnace, ladle refined bearing quality alloy steel. These components are case hardened to produce a hard, fatigue-resistant surface, and a tough, ductile core, which improves their ability to withstand heavy shock loads. Both ends of the inner race are extended for setscrew locking. Setscrew locking collars are used on both ends (except on piloted flange cartridges), with two setscrews located at 120° in each collar. Bearing units are completely assembled, adjusted, sealed and pre-lubricated at the factory. The lubricant is lithium EP-2 grease. Hub City Type E bearings have an operating temperature range of -25° F to 200° F.

### Housings

Housings for Type E bearing units are precision machined from rugged gray iron castings. Housing castings meet or exceed the requirements of SAE G3000 gray iron. Typical tensile strength is 30,000 psi.

### Seals

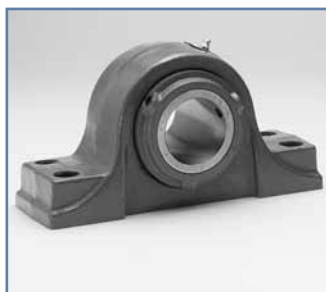
The seals have a Nitrile rubber lip bonded to a steel trash guard. The positive contact seal rides on the precision ground surface of the inner race. The setscrew collars rotate with the inner race and provide extra protection for the seals. A pressure relief type grease fitting is used to prevent excessive lubrication.

### Special Modifications

Hub City can furnish modified or special units to suit customer requirements. Typical modifications include:

- Housing modifications
- Nickel plating of housings and setscrew locking collars
- Special grease types
- Special end clearance adjustment
- Custom bearing units

Modified or special bearing units may be subject to increased lead time and minimum production order quantities.



† Dimensions shown are for reference only.

Certified prints are available upon request

M-46

CALL: (605) 225-0360

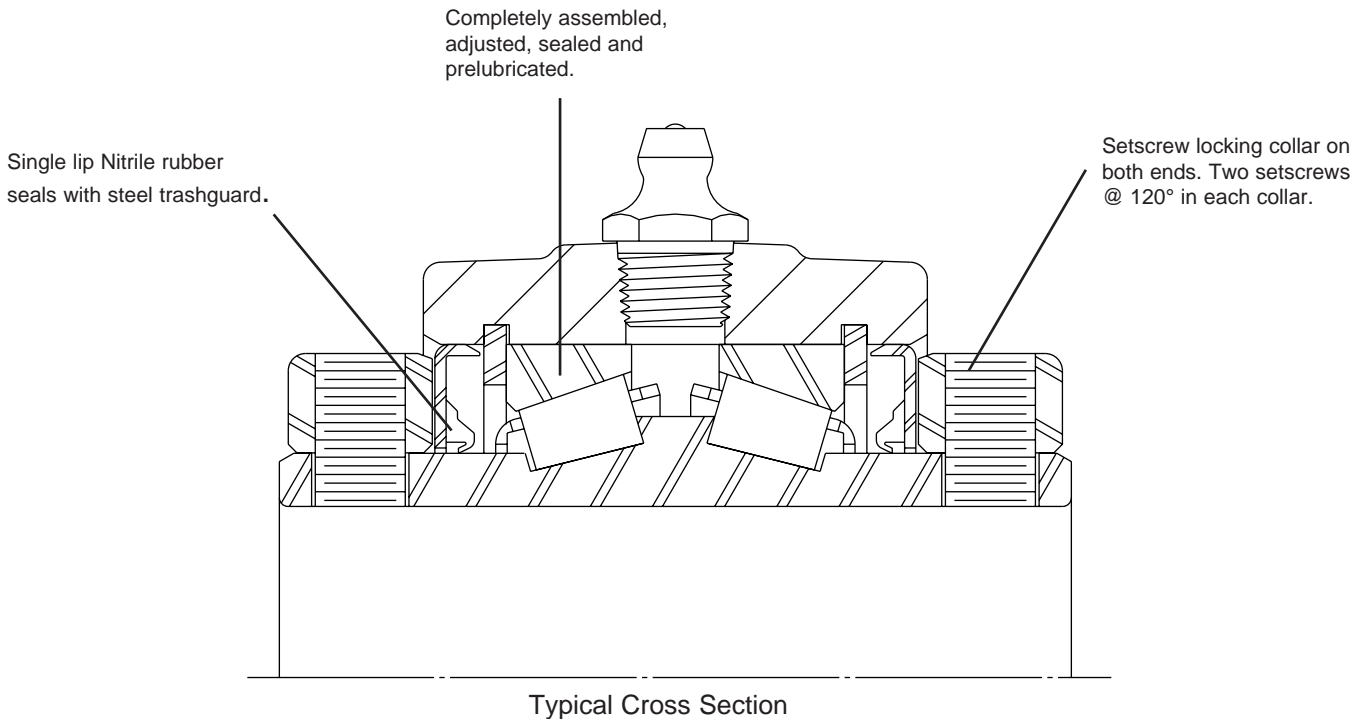
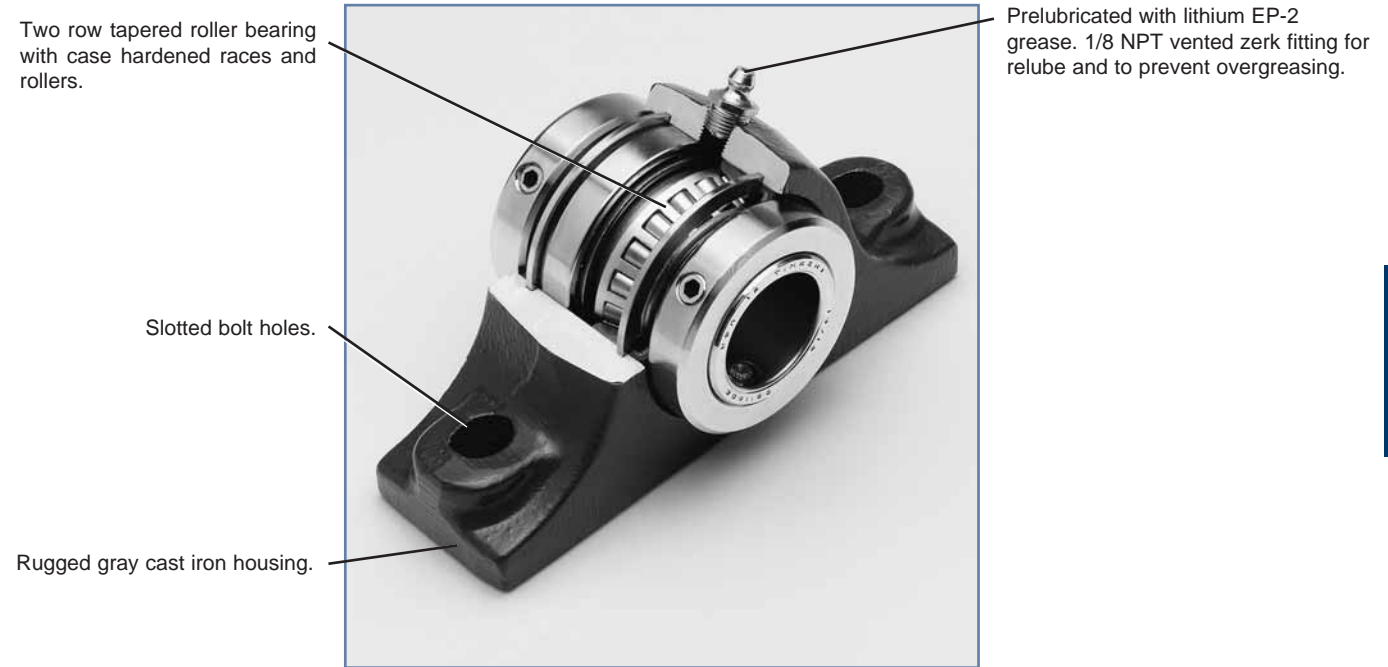


FAX: (605) 225-0567

VISIT OUR WEB SITE AT [WWW.CLARKTR.COM](http://WWW.CLARKTR.COM)

# Type E Tapered Roller Bearing Units

## General Information



## Type E Tapered Roller Bearing Units

### Engineering and Selection Information

#### Bearing Selection

Hub City Type E Bearings are recommended for heavy radial or thrust loads, as well as combined radial and thrust loads. The ratings apply to normal applications. Hub City customer service should be contacted for unusual operating conditions or special applications.

In addition to the bearing rating, other factors must be considered in bearing selection and installation. These include housing strength, shaft strength, shaft fit and housing mounting. Heavy thrust loads may require shaft modifications such as a shoulder, snap ring or thrust collar. Heavy thrust or radial loads may require additional housing support devices such as stop bars.

Refer to page M-8 for formulae for calculating the radial load on each bearing. The “Applied Equivalent Load” referred to on page M-8 is the radial load, and must be converted to “Equivalent Radial Load” as shown below, if a combined radial and thrust load is present.

Heavy Service – For heavy shock loads, frequent shock loads, or severe vibrations, add up to 50% (according to severity of conditions) to the Equivalent Radial Load to obtain a Modified Equivalent Radial Load. Consult customer service for additional selection assistance.

Select a bearing from the rating table having a radial load rating at the operating speed equal to or greater than the calculated “Equivalent Radial Load” for a desired L-10 Life. This simple method is all that is required for the majority of general machine applications and provides for occasional average shock loads.

To determine the L-10 Hours Life for loads and speeds not listed, use the following equation:

$$L-10 = \left( \frac{C90}{P} \right)^{10/3} \times \frac{1,500,000}{RPM}$$

Where: C90 = Dynamic Radial Capacity (Table 1)

P = Equivalent Radial Load, Lbs.

When the bearing is subject to a pure radial load, the Equivalent Radial Load (P) above is equal to the actual radial load on each bearing.

When the bearing is subjected to a pure thrust load, multiply the radial rating in the rating table by the thrust rating factor to obtain the thrust rating. Use required RPM and L-10 Life. To determine L-10 Hours Life for loads and speeds not listed, use the formula above. Replace the C90 value with the Dynamic Thrust Capacity (Table 1) and replace the Equivalent Radial Load with the actual thrust load.



# Type E Tapered Roller Bearing Units

## Engineering and Selection Information (Cont.)

When the bearing is subjected to a combined radial and thrust load, use the following formula to convert the actual applied loads to the Equivalent Radial Load.

Equivalent Radial Load  $P = X Fr + Y Fa$   
 (If calculated value of P is less than Fr, then use  $P = Fr$ )

- Fr = Radial Load, Lbs.
- Fa = Thrust (axial) Load, Lbs.
- e = Thrust Load to Radial Load Factor (Table 1)
- X = Radial Load Factor (Table 1)
- Y = Thrust Load Factor (Table 1)

First calculate Fa/Fr and compare to e. Then determine X and Y from the appropriate column in Table 1.

Substitute all values into the Equivalent Radial Load equation and determine P. Use the value of P in the life formula to determine L-10 life, or compare P to the Allowable Equivalent Radial Load Ratings in the rating table, for the required speed and L-10 life.

L-10 life – The life expected from 90% of the bearings operating under identical loads, speeds and operating conditions.



**TABLE 1**

Shaft Size	e	Light Thrust If		Heavy Thrust If		Dynamic Capacity C90°		Maximum Recommended RPM
		Fa/Fr ≤ e		Fa/Fr > e		Radial Lbs.	Thrust Lbs.	
		X	Y	X	Y			
1-3/16 - 1-1/4	.49	.87	1.77	.70	2.14	2,980	1,390	3,500
1-3/8 - 1-7/16	.46	.87	1.89	.70	2.28	4,760	2,080	3,400
1-1/2 - 1-11/16	.44	.87	1.96	.70	2.37	6,140	2,600	3,300
1-3/4 - 2	.33	.87	2.64	.70	3.18	8,070	2,540	3,000
2-3/16	.36	.87	2.38	.70	2.87	8,550	2,980	2,700
2-1/4 - 2-1/2	.40	.87	2.17	.70	2.63	9,090	3,470	2,400
2-11/16 - 3	.46	.87	1.87	.70	2.26	9,600	4,260	2,100
3-3/16 - 3-1/2	.50	.87	1.71	.70	2.07	15,300	7,410	1,600
3-15/16 - 4	.49	.87	1.77	.70	2.14	21,000	9,800	1,500

\* C90 – Dynamic capacity based on a rated L-10 life of 90 million revolutions or 3,000 hours at 500 RPM.

For Lubrication and Mounting Instructions, Refer to section R

HUB CITY INDUSTRIALINE™ BEARING UNITS

# Type E Tapered Roller Bearing Units

## Ratings

Shaft Size	Thrust Rating Factor*	L-10 Life Hours	Allowable Equivalent Radial Load Rating (Lbs.) at Various Revolutions Per Minute												
			50	100	150	250	500	750	1000	1250	1500	1750	2000	2500	3000
1-3/16 1-1/4	.466	5,000	5100	4145	3670	3145	2555	2265	2075	1940	1840	1755	1685	1575	1495
		10,000	4145	3365	2980	2555	2075	1840	1685	1575	1495	1425	1370	1280	1215
		<b>30,000</b>	<b>2980</b>	<b>2420</b>	<b>2145</b>	<b>1840</b>	<b>1495</b>	<b>1320</b>	<b>1215</b>	<b>1135</b>	<b>1075</b>	<b>1025</b>	<b>985</b>	<b>920</b>	<b>870</b>
		50,000	2555	2075	1840	1575	1280	1135	1040	975	920	880	845	790	750
100,000	2075	1685	1495	1280	1040	920	845	790	750	715	685	640	610		
1-3/8 1-7/16	.437	5,000	8150	6620	5860	5025	4085	3615	3315	3100	2935	2805	2695	2520	2385
		10,000	6620	5375	4760	4085	3315	2935	2695	2520	2385	2275	2190	2045	1935
		<b>30,000</b>	<b>4760</b>	<b>3865</b>	<b>3425</b>	<b>2935</b>	<b>2385</b>	<b>2110</b>	<b>1935</b>	<b>1810</b>	<b>1715</b>	<b>1640</b>	<b>1575</b>	<b>1470</b>	<b>1395</b>
		50,000	4085	3315	2935	2520	2045	1810	1660	1555	1470	1405	1350	1260	1195
100,000	3315	2695	2385	2045	1660	1470	1350	1260	1195	1140	1095	1025	970		
1-1/2 1-5/8 1-11/16	.423	5,000	10510	8535	7560	6485	5265	4665	4280	4000	3790	3615	3475	3250	3075
		10,000	8535	6935	6140	5265	4280	3790	3475	3250	3075	2940	2820	2640	2500
		<b>30,000</b>	<b>6140</b>	<b>4985</b>	<b>4415</b>	<b>3790</b>	<b>3075</b>	<b>2725</b>	<b>2500</b>	<b>2335</b>	<b>2215</b>	<b>2115</b>	<b>2030</b>	<b>1900</b>	<b>1795</b>
		50,000	5265	4280	3790	3250	2640	2335	2145	2005	1900	1810	1740	1630	1540
100,000	4280	3475	3075	2640	2145	1900	1740	1630	1540	1470	1415	1325	1250		
1-3/4 1-7/8 1-15/16 2	.315	5,000	13815	11220	9935	8525	6925	6130	5625	5260	4980	4755	4565	4270	
		10,000	11220	9115	8070	6925	5625	4980	4565	4270	4045	3860	3710	3470	
		<b>30,000</b>	<b>8070</b>	<b>6555</b>	<b>5805</b>	<b>4980</b>	<b>4045</b>	<b>3580</b>	<b>3285</b>	<b>3070</b>	<b>2910</b>	<b>2775</b>	<b>2670</b>	<b>2495</b>	
		50,000	6925	5625	4980	4270	3470	3070	2820	2635	2495	2380	2290	2140	
100,000	5625	4565	4045	3470	2820	2495	2290	2140	2025	1935	1860	1740			
2-3/16	.348	5,000	14635	11885	10525	9030	7335	6495	5960	5570	5275	5035	4840	4525	
		10,000	11885	9655	8550	7335	5960	5275	4840	4525	4285	4090	3930	3675	
		<b>30,000</b>	<b>8550</b>	<b>6945</b>	<b>6150</b>	<b>5275</b>	<b>4285</b>	<b>3795</b>	<b>3480</b>	<b>3255</b>	<b>3080</b>	<b>2940</b>	<b>2825</b>	<b>2656</b>	
		50,000	7335	5960	5275	4525	3675	3255	2985	2790	2645	2525	2425	2270	
100,000	5960	4840	4285	3675	2985	2645	2425	2270	2145	2050	1970	1840			
2-1/4 2-7/16 2-1/2	.382	5,000	15560	12640	11190	9600	7800	5905	6335	5925	5610	5355	5145	4810	
		10,000	12640	10265	9090	7800	6335	5610	5145	4810	4555	4350	4180	3910	
		<b>30,000</b>	<b>9090</b>	<b>7385</b>	<b>6535</b>	<b>5610</b>	<b>4555</b>	<b>4035</b>	<b>3700</b>	<b>3460</b>	<b>3275</b>	<b>3130</b>	<b>3005</b>	<b>2810</b>	
		50,000	7800	6335	5610	4810	3910	3460	3175	2970	2810	2685	2580	2410	
100,000	6335	5145	4555	3910	3175	2810	2580	2410	2285	2180	2095	1960			
2-11/16 2-3/4 2-15/16 3	.444	5,000	16430	13345	11802	10140	8235	7290	6690	6255	5925	5655	5435		
		10,000	13345	10840	9600	8235	6690	5925	5435	5080	4810	4595	4415		
		<b>30,000</b>	<b>9600</b>	<b>7795</b>	<b>6905</b>	<b>5925</b>	<b>4810</b>	<b>4260</b>	<b>3910</b>	<b>3655</b>	<b>3460</b>	<b>3305</b>	<b>3175</b>		
		50,000	8235	6690	5925	5080	4125	3655	3350	3135	2970	2835	2725		
100,000	6690	5435	4810	4125	3350	2970	2725	2545	2410	2300	2210				
3-3/16 3-1/4 3-7/16 3-1/2	.484	5,000	26190	21270	18835	16160	13125	11620	10660	9970	9440				
		10,000	21270	17280	15300	13125	10660	9440	8660	8100	7670				
		<b>30,000</b>	<b>15300</b>	<b>12425</b>	<b>11005</b>	<b>9440</b>	<b>7670</b>	<b>6790</b>	<b>6230</b>	<b>5825</b>	<b>5515</b>				
		50,000	13125	10660	9440	8100	6580	5825	5345	4995	4730				
100,000	10660	8660	7670	6580	5345	4730	4340	4060	3845						
3-15/16 4	.467	5,000	35945	29200	25855	22180	18015	15950	14635	13685	12955				
		10,000	29200	23715	21000	18015	14635	12955	11885	11115	10525				
		<b>30,000</b>	<b>21000</b>	<b>17055</b>	<b>15105</b>	<b>12955</b>	<b>10525</b>	<b>9320</b>	<b>8550</b>	<b>7995</b>	<b>7570</b>				
		50,000	18015	14635	12955	11115	9030	7995	7335	6860	6495				
100,000	14635	11885	10525	9030	7335	6495	5955	5570	5275						

\* Multiply Radial Load Rating from this chart by the Thrust Rating Factor to obtain Pure Thrust Rating. Use required RPM and L-10 life.

For combined radial and thrust loads, refer to page M-49 or consult the factory.

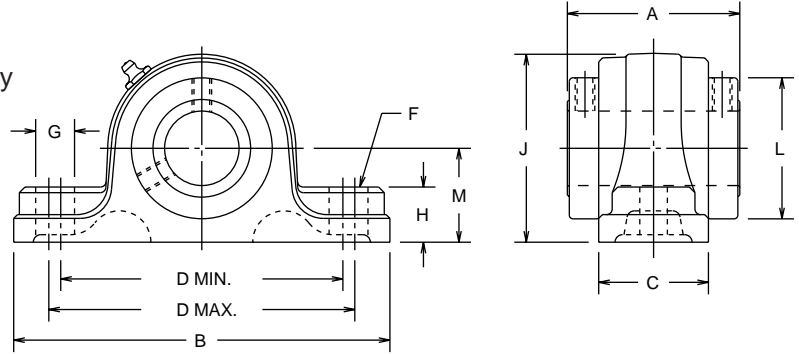
Note: Ratings shown are ratings of the bearing only. Maximum radial or thrust load may be limited by housing strength or other components. Refer to page M-48. Refer to Table 1, page M-49 for maximum RPM.

# Type E Tapered Roller Bearing Units

## Models EPB2, EPB4 Pillow Blocks

### 2-Bolt Base - Model EPB2

- ◆ Two row tapered roller bearing for high capacity
- ◆ Setscrew locking collars on both ends
- ◆ Assembled, sealed and prelubricated
- ◆ Nitrile rubber seals with steel trash guard
- ◆ Rugged precision machined cast iron housing
- ◆ Non-expansion type

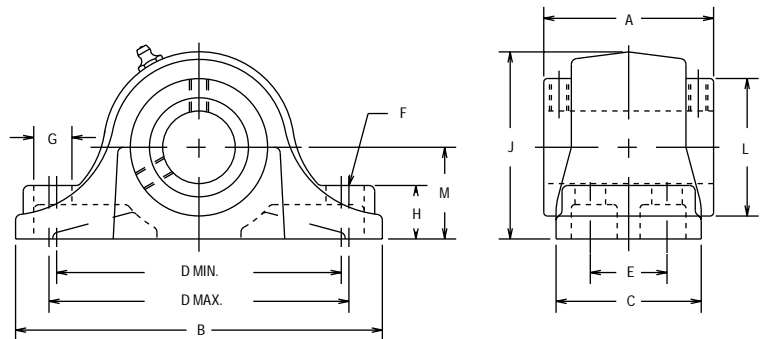


Shaft Size	DIMENSIONS											Wt. Lbs.
	A	B	C	D		F Bolts	G	H	J	L	M	
				Min.	Max.							
1-3/16, 1-1/4	2-3/4	6	1-3/4	4-1/2	4-7/8	3/8	5/8	7/8	3	2-1/4	1-1/2	4.3
1-3/8, 1-7/16	3	7-3/8	1-31/32	4-11/16	5-15/16	1/2	1-3/16	1-1/8	3-3/4	2-3/4	1-7/8	7.1
1-1/2, 1-5/8, 1-11/16	3-3/8	7-7/8	2-5/16	5-3/16	6-7/16	1/2	1-3/16	1-1/4	4-1/4	3-3/16	2-1/8	10.2
1-3/4, 1-7/8, 1-15/16, 2	3-1/2	8-7/8	2-11/32	5-15/16	7-3/16	5/8	1-5/16	1-3/8	4-1/2	3-7/16	2-1/4	12
2-3/16	3-3/4	9-5/8	2-9/16	6-7/16	7-15/16	5/8	1-7/16	1-1/2	5	3-3/4	2-1/2	15
2-1/4, 2-7/16, 2-1/2	4	10-1/2	2-23/32	6-13/16	8-11/16	5/8	1-5/8	1-5/8	5-1/2	4-1/16	2-3/4	21
2-11/16, 2-3/4, 2-15/16, 3	4-1/2	12	2-29/32	7-13/16	9-11/16	3/4	1-3/4	1-7/8	6-1/4	4-23/32	3-1/8	27
3-3/16, 3-1/4, 3-7/16, 3-1/2	5	14	3-3/8	9-1/4	11-1/4	7/8	1-15/16	2-1/4	7-1/2	5-7/16	3-3/4	47

Part Numbers are specified by "EPB2" and Bore Size. Example: EPB2 x 1-1/4

### 4-Bolt Base - Model EPB4

- ◆ Two row tapered roller bearing for high capacity
- ◆ Setscrew locking collars on both ends
- ◆ Assembled, sealed and prelubricated
- ◆ Nitrile rubber seals with steel trash guard
- ◆ Rugged precision machined cast iron housing
- ◆ Non-expansion type



Shaft Size	DIMENSIONS											Wt. Lbs.	
	A	B	C	D		E	F Bolts	G	H	J	L		M
				Min.	Max.								
2-1/4, 2-7/16, 2-1/2	4	10-1/2	3-1/2	8-3/8	8-5/8	1-7/8	5/8	7/8	1-5/8	5-1/2	4-1/16	2-3/4	20
2-11/16, 2-3/4, 2-15/16, 3	4-1/2	12	4	9-5/16	9-11/16	2-1/8	5/8	1-1/16	1-7/8	6-1/4	4-23/32	3-1/8	27
3-3/16, 3-1/4, 3-7/16, 3-1/2	5	14	4-1/2	10-13/16	11-3/16	2-3/8	3/4	1-3/16	2-1/4	7-1/2	5-7/16	3-3/4	45
3-15/16, 4	6-1/4	15-1/4	4-5/16	10	12-15/16	2-1/4	3/4	2-9/32	2-7/16	8-1/2	5-15/16	4-1/4	69

Part Numbers are specified by "EPB4" and Bore Size. Example: EPB4 x 2-1/2

†† Dimensions shown are for reference only.

Certified prints are available upon request

CALL: (605) 225-0360



FAX: (605) 225-0567

M-51

VISIT OUR WEB SITE AT [WWW.CLARKTR.COM](http://WWW.CLARKTR.COM)

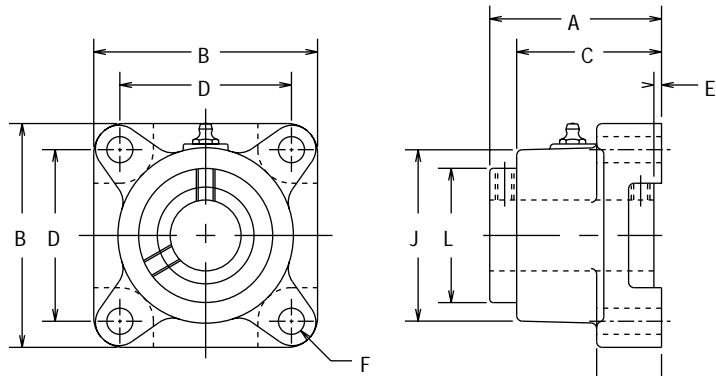
HUB CITY INDUSTRIALINE™ BEARING UNITS

# Type E Tapered Roller Bearing Units

## Models EFB4, EFC4 Flange Blocks and Flange Cartridges

### Model EFB4

- ◆ Two row tapered roller bearing for high capacity
- ◆ Setscrew locking collars on both ends
- ◆ Assembled, sealed and prelubricated
- ◆ Nitrile rubber seals with steel trash guard
- ◆ Rugged precision machined cast iron housing
- ◆ Non-expansion type

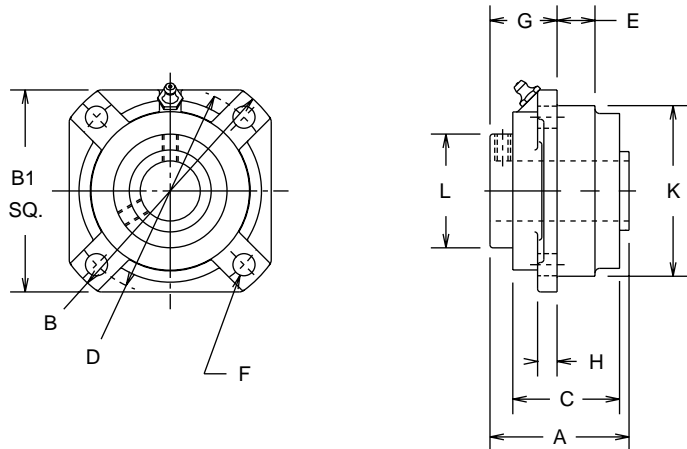


Shaft Size	DIMENSIONS									Wt. Lbs.
	A	B	C	D	E	F Bolt	H	J	L	
1-3/16, 1-1/4	2-13/16	3-3/4	2-5/16	2-7/8	1/16	3/8	1	2-15/16	2-1/4	4.4
1-3/8, 1-7/16	3-1/16	4-5/8	2-17/32	3-1/2	1/16	1/2	1-1/16	3-1/2	2-3/4	6.5
1-1/2, 1-5/8, 1-11/16	3-15/32	5-3/8	2-15/16	4-1/8	3/32	1/2	1-3/16	4-3/16	3-3/16	9.6
1-3/4, 1-7/8, 1-15/16, 2	3-19/32	5-5/8	3-1/16	4-3/8	3/32	1/2	1-3/16	4-7/16	3-7/16	11
2-3/16	3-27/32	6-1/4	3-9/32	4-7/8	3/32	5/8	1-3/8	4-7/8	3-3/4	15
2-1/4, 2-7/16, 2-1/2	4-5/32	6-7/8	3-17/32	5-3/8	5/32	5/8	1-1/2	5-5/16	4-1/16	20
2-11/16, 2-3/4, 2-15/16, 3	4-21/32	7-3/4	3-7/8	6	5/32	3/4	1-5/8	6	4-23/32	27
3-3/16, 3-1/4, 3-7/16, 3-1/2	5-7/32	9-1/4	4-13/32	7	7/32	3/4	1-7/8	7-1/4	5-7/16	44
3-15/16, 4	6-15/32	10-1/4	5-19/32	7-3/4	7/32	7/8	2-1/8	8-1/4	5-15/16	71

Part Numbers are specified by "EFB4" and Bore Size. Example: EFB4 x 1-1/4

### Model EFC4

- ◆ Two row tapered roller bearing for high capacity
- ◆ Setscrew locking collar on one end
- ◆ Assembled, sealed and prelubricated
- ◆ Nitrile rubber seals with steel trash guard
- ◆ Rugged precision machined cast iron housing
- ◆ Non-expansion type



Shaft Size	DIMENSIONS											Wt. Lbs.
	A	B	B1	C	D	E	F Bolt	G	H	K +.000 -.002	L	
1-3/16, 1-1/4	2-3/4	5	3-15/16	1-7/8	4-1/8	3/4	3/8	1-5/16	7/16	3-3/8	2-1/4	3.2
1-3/8, 1-7/16	3	5-1/4	4-1/4	2-3/32	4-3/8	29/32	3/8	1-1/2	1/2	3-5/8	2-3/4	4.4
1-1/2, 1-5/8, 1-11/16	3-3/8	6-1/8	4-15/16	2-7/16	5-1/8	1-5/32	7/16	1-9/16	1/2	4-1/4	3-3/16	7.1
1-3/4, 1-7/8, 1-15/16, 2	3-1/2	6-3/8	5-3/16	2-15/32	5-3/8	1-5/16	7/16	1-9/16	9/16	4-1/2	3-7/16	8.7
2-3/16	3-3/4	7-1/8	5-13/16	2-5/8	6	1-3/16	1/2	1-11/16	9/16	5	3-3/4	11
2-1/4, 2-7/16, 2-1/2	4	7-5/8	6-1/4	2-13/16	6-1/2	1-5/16	1/2	1-13/16	5/8	5-1/2	4-1/16	14
2-11/16, 2-3/4, 2-15/16, 3	4-1/2	8-3/4	7-1/8	3-1/16	7-1/2	1-17/32	5/8	2	3/4	6-3/8	4-23/32	21
3-3/16, 3-1/4, 3-7/16, 3-1/2	5	10-1/4	8-3/8	3-17/32	8-5/8	1-9/32	3/4	2-7/16	7/8	7-3/8	5-7/16	49
3-15/16, 4	6-1/4	10-7/8	8-13/16	4-15/32	9-3/8	1-17/32	3/4	2-11/16	15/16	8-1/8	5-15/16	70

Part Numbers are specified by "EFC4" and Bore Size. Example: EFC4 x 1-1/4

† Dimensions shown are for reference only.

Certified prints are available upon request

M-52

CALL: (605) 225-0360



FAX: (605) 225-0567

VISIT OUR WEB SITE AT [WWW.CLARKTR.COM](http://WWW.CLARKTR.COM)