



***Poweratio*[®] 2000 COMPACT HELICAL
PARALLEL DRIVES**

Compact Helical Parallel Product Features	J-2 to J-3
Selection Procedure	J-4
Descriptions	J-6
Mounting Positions	J-7
Model Selection Index	J-8
Selection By Input H.P	J-9 to J-21
Integral Gearmotor Dimensions	J-22 to J-25
Ratings By Model	J-26 to J-29
Reducer Dimensions	J-30 to J-40
Shipping Weights	J-40
Factory Options	See Page L-47



Poweratio® 2000

HIGH EFFICIENCY COMPACT HELICAL PARALLEL DRIVES

Basic Specifications

- Power Ratings from 1/4 to 20 hp
- Output Torque to 13,300 inch/lbs.
- Ratios from 3.42/1 through 3377:1
- Output speeds .5 rpm to 280 rpm

Standard Features

- Universal Base, Flange and Hollow Bore Mounting with Competitive Interchange Capability
- Precision Carburized and Hardened Crowned Helical Gearing
- Double Lip Spring Loaded Seals with Precision Ground Seal Journals
- High Capacity Ball and Tapered Bearings with Splash Lubrication, Factory Filled
- Enhanced High Tensile Strength Steel Shafting with Low Notch Sensitivity
- Optimum Structural Designed Housings made of High Strength Alloy Cast Iron

Optional Features

- Modified Standard and Custom Designs
- Hollow or Solid Output Shafts in Metric Sizes
- Brake or Inverter Duty Motors (50/60 hz)
- Washdown and BISSC Configurations

Integral Garmotors

- 4 sizes available up to 5 hp.
- Motors produced by Marathon Electric for high efficiency, reliability and durability



For More
Shaft Mounted Reducers
See PowerTorque®
Shaft Mount Reducers
Sections G

Compact Helical Parallel Drives



Integral Gearmotors

Double Reduction

Triple Reduction

Quin Reduction

Foot Mount

Flange Mount

Shaft Mount



C-Face Reducers

Double Reduction

Triple Reduction

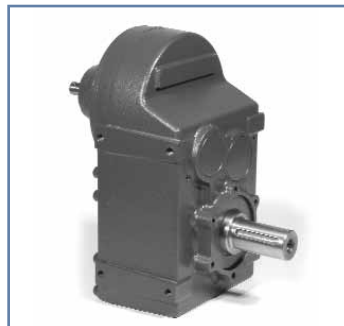
Quin Reduction

NEMA C-Frame Quill Input

Foot Mount

Flange Mount

Shaft Mount



Shaft Input Reducers

Double Reduction

Triple Reduction

Quin Reduction

Foot Mount

Flange Mount

Shaft Mount

*CleanLine™ premium washdown duty and metric versions available,
See Section O or Consult Factory for details and specifications.*



Selection Procedure

Hub City provides two methods of selection for Reducers and Gearmotors.

On pages J-9 to J-21, the Selection Tables by Input H.P. can be used whenever the Input H.P. requirement is known. This method is commonly used for Gearmotors, but can also be used for Reducers.

On pages J-26 to J-29, the Input H.P. and Output Torque Ratings are provided for each model. These rating tables can be used for Reducers and Gearmotors.

SELECTION BY INPUT H.P.

For selection by Input H.P., determine the Input H.P., Output Speed and Load Classification (Service Factor) requirements. (See page J-5, A-2 and A-5 to A-8 for AGMA Load Classification and Service Factors.) Then refer to Selection Tables by Input H.P., locate the required H.P. and Output Speed, and read across to the required foot or flange mount unit.

These tables also list the Service Factor for the unit indicated. In many cases, more than one unit is listed, to provide different service factors. Select the unit with a service factor that meets or exceeds the requirement of the application.

Check the Output Overhung Load or Output Thrust rating and Output Torque to verify they meet the requirements. (The Output Torque listed is the actual torque obtained with the motor H.P. listed, not the rated torque.) Then refer to the dimension tables to check the unit dimensions.

If a Reducer with C-Frame input is desired, the available frame sizes for each Reducer model are shown in the dimension tables, and also on page J-40. Specify the description as shown on page J-6.

If a Motorized Reducer is desired, make the motor selection with compatible C-Frame size, from the motors listed in section H. Specify either the catalog number or the complete description of the motor, in addition to the Reducer description.

The selection tables indicate which units are available as Integral Gearmotors. If an Integral Gearmotor is desired, refer to the dimension tables on pages J-22 to J-25 for dimensions with all available motor sizes. Specify the motor H.P. in addition to the Reducer description.

Reducers may be ordered with other C-Frame sizes. The available frame sizes for each reducer model are shown in the dimension tables, and also on page J-40.

SELECTION FROM UNIT RATING TABLES BY INPUT H.P. OR OUTPUT TORQUE

Determine the actual Input H.P. or Output Torque required, Output Speed, and required Service Factor. Multiply the actual H.P. or torque by the required service factor to obtain the required rating of the Reducer. Refer to the Unit Rating Tables by Model and Output Speed, until you locate the model that meets or exceeds the required H.P. or Torque rating.

The actual service factor can be determined by dividing the unit rating by the actual H.P. or Torque.

Check the Input and Output overhung load ratings, and thrust rating to verify they meet the requirement. Then refer to the dimension tables to check the unit dimensions.

Available motor C-Frame sizes for each reducer model are shown in the dimension tables, and also on page J-40.

EFFICIENCY

Helical Gearing and Ball or Tapered Roller Bearings provide a drive with very high efficiency. The approximate efficiency is 97.5% per gear stage.

OVERHUNG LOADS AND THRUST LOADS

Overhung load and thrust ratings are listed in the Selection and Rating Tables. Note that OHL and Thrust Ratings cannot be applied simultaneously. Consult Hub City for applications with combined OHL and thrust load.

BRAKEMOTORS

Braking torque must not exceed the rated capacity of the unit.

Service Factors

Load Classification Numbers and Service Factors are used in the selection of Gearmotors and Reducers. The relationship between load class numbers and service factors is shown in Table 2.

The Load Class Numbers are designated for Gearmotors which have a uniform power source (i.e. Electric Motor). They consider the type of load and also the duration of service.

The Service Factors are designated for Reducers and consider other power sources (such as Internal Combustion Engines), as well as the type of load and duration of service.

Table 1 and Table 2 list Service Factors and Load Classes for general use.

AGMA Load Classification and Service Factor tables on pages A-5 to A-8 provide approximate service factors for various types of machinery. The service factors are based on uniform power source (i.e. electric motor). Use the service factor conversion table on page A-2 to obtain service factors for internal combustion engines.

All the Class Number and Service Factor charts are to be used as general guidelines for assistance in determining the required service factor. Rely on past experience as well. Consult the factory for severe applications, when there are safety considerations, or a need for extra high reliability.

Refer to page A-2 for further information and cautions on the selection of proper service factors.

Occasional starting loads up to 200% of catalog rating are permissible.

TABLE 1 – SERVICE FACTORS

Prime Mover	Duration of Service Per Day (1)	Driven Machine Load Classification		
		Uniform	Medium Shock	Heavy Shock
Electric Motor	Occasional 1/2 hr.	*	*	1.25
	Intermittent 3 hrs.	*	1.00	1.50
	3 - 10 hours	1.00	1.25	1.75
	Over 10 hours	1.25	1.50	2.00
Electric Motor With Frequent Starts and Stops (2)	Occasional 1/2 hr.	*	1.00	1.50
	Intermittent 3 hrs.	1.00	1.25	1.75
	3 - 10 hours	1.25	1.50	2.00
	Over 10 hours	1.50	1.75	2.25
Multi-Cylinder Internal Combustion Engine	Occasional 1/2 hr.	*	1.00	1.50
	Intermittent 3 hrs.	1.00	1.25	1.75
	3 - 10 hours	1.25	1.50	2.00
	Over 10 hours	1.50	1.75	2.25
Single Cylinder Internal Combustion Engine	Occasional 1/2 hr.	1.00	1.25	1.75
	Intermittent 3 hrs.	1.25	1.50	2.00
	3 - 10 hours	1.50	1.75	2.25
	Over 10 hours	1.75	2.00	2.50
Reversing Service Application		Consult Factory		

* Unspecified service factors should be 1.0 or as agreed upon by user and manufacturer.

Explanatory Notes

1. Time specified for intermittent and occasional service refers to total operating time per day.
2. Term "frequent starts and stops" refers to more than 10 starts per hour.

TABLE 2 – LOAD CLASSIFICATION NUMBERS

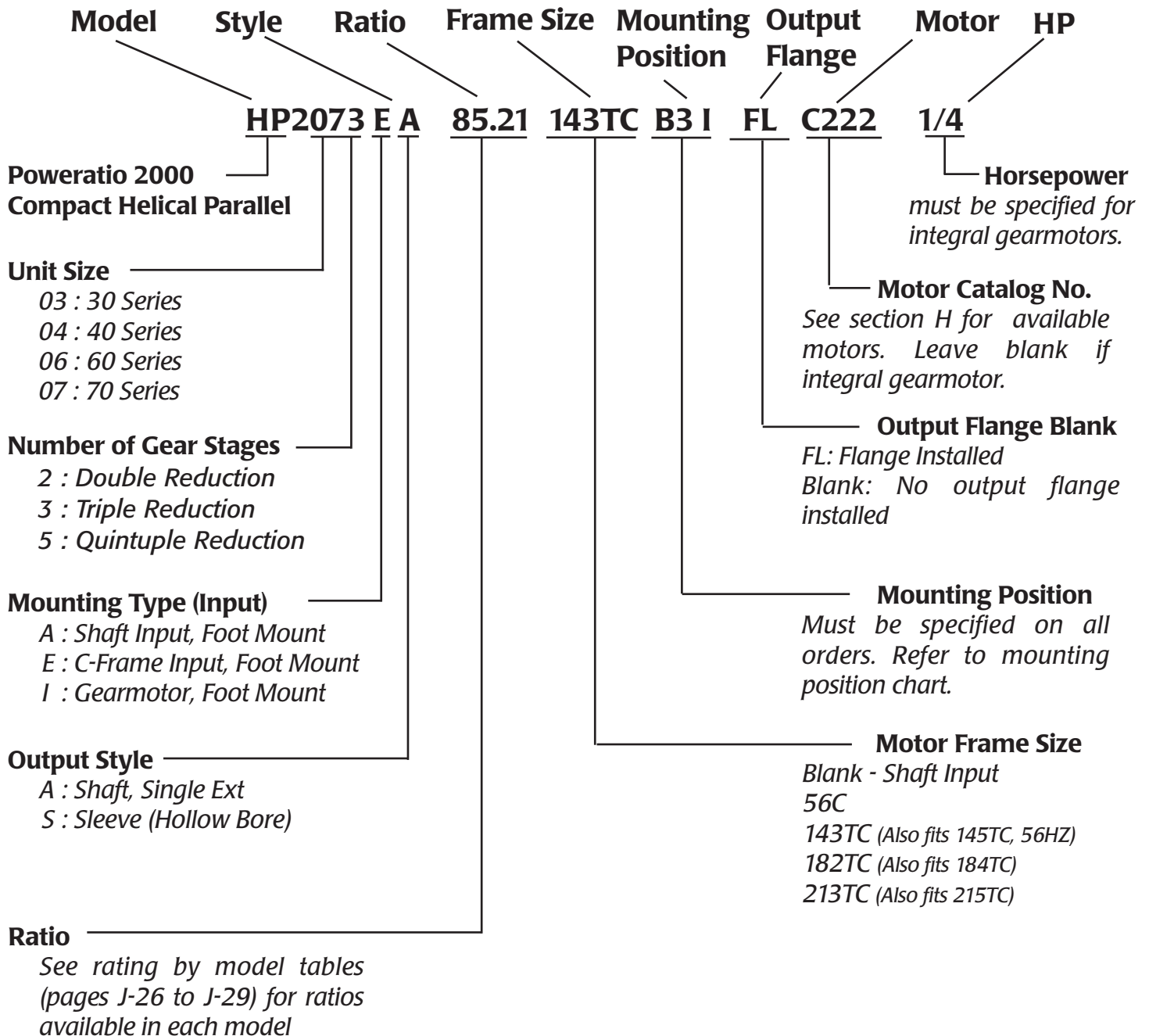
Load Class (S.F.)	Up to 3 hrs. total operation per Day	3 to 10 hrs. total operation per Day	Over 10 hrs. total operation per Day
I (1.0)	Moderate Shock Load	Uniform Load	
II (1.4)	Heavy Shock Load	Moderate Shock Load	Uniform Load
III (2.0)		Heavy Shock Load	Moderate Shock Load



Descriptions

Descriptions For Ordering Reducers And Gearmotors

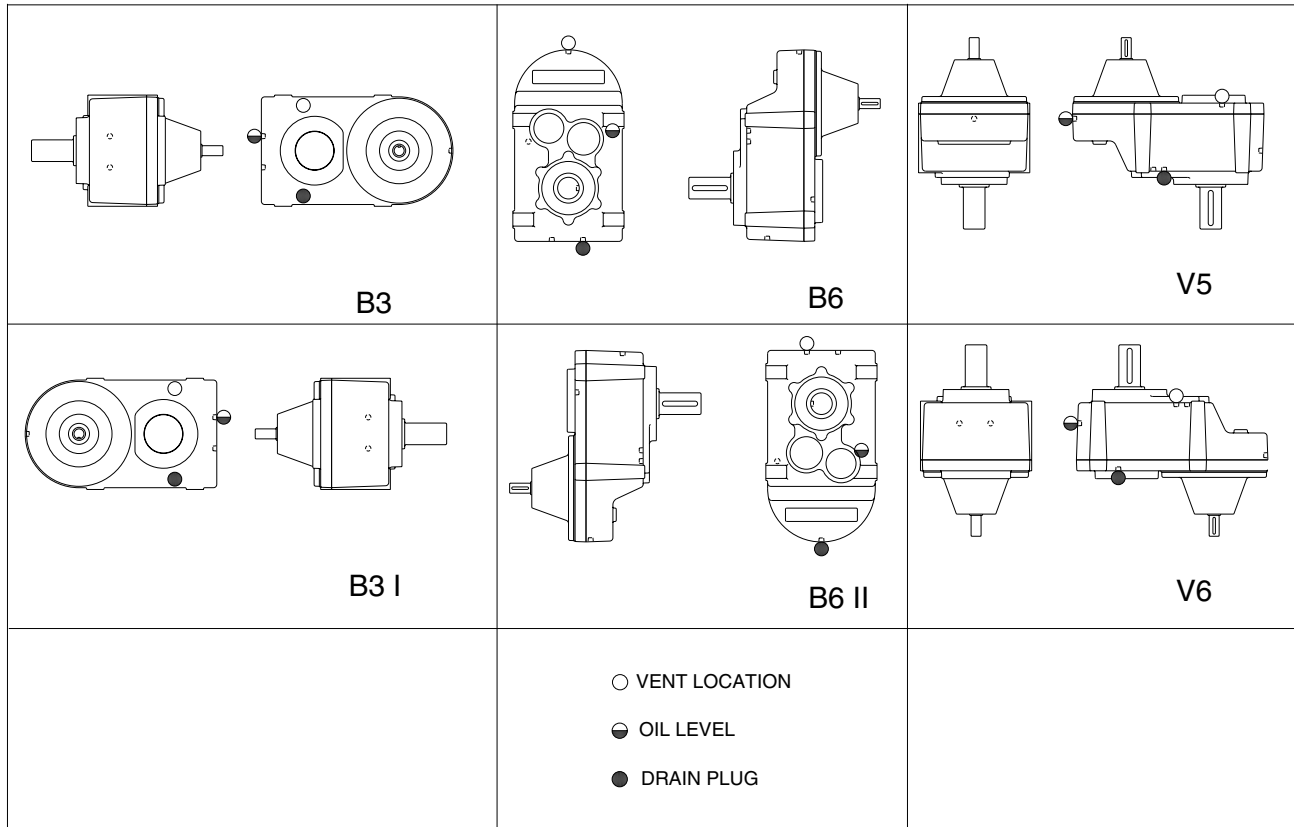
The Mounting position must be specified on all orders, and included in the reducer description. To order Motorized Reducers, simply specify the reducer, indicate the motor description or catalog number and specify "Motorized Assembly". To order Integral Gearmotors, simply specify the reducer, motor horsepower and "Integral Gearmotor". Integral Gearmotors in this catalog are supplied with 3 phase 230/460v totally enclosed, fan cooled (TEFC) 1750 rpm general purpose motors.



Mounting Positions

Mounting position must be specified on all orders, and included in the reducer description, so the correct amount of oil is installed at the factory. (Refer to Section R for lubrication information.)

Mounting Positions



Motor Descriptions

Available motors and motor data are listed in Section H. Either specify the catalog number or the complete description: HP, RPM, VOLTS, SINGLE OR THREE PHASE, C-FRAME SIZE, ENCLOSURE GENERAL PURPOSE OR OPTIONAL TYPES: WASHDOWN DUTY, INVERTER DUTY, BRAKEMOTOR.

Motorized Reducers & Gearmotors

The Reducer and Motor are assembled at the factory, and filled with the proper quantity of lubricant based on your specified mounting position. Integral Gearmotors in this catalog are supplied with 3 phase 230/460v totally enclosed, fan cooled (TEFC) 1750 rpm general purpose motors. Special integral gearmotors are available. Consult the factory for details.

Standard Integral Gearmotors and Motorized Reducers are assembled at the factory with the conduit box and the conduit opening at the position illustrated in the dimensional section of this catalog. The user may rotate the body of the motor to reposition the conduit box (in 90° increments from original position). The conduit opening may also be repositioned at 90° increments from the original position. Both operations may be performed without disassembling the drive.

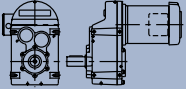
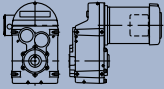
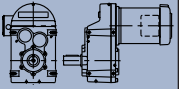
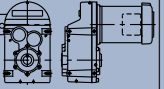
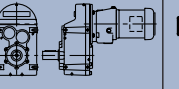
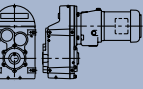
Backstops

Backstops are available as factory options. Consult the factory for details.

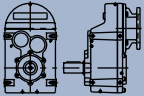
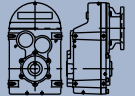
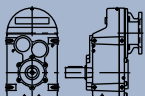
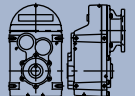
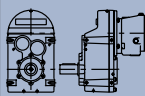
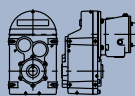
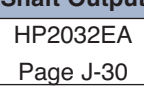
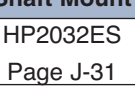
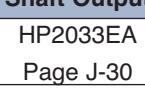
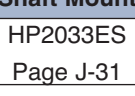
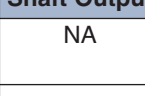
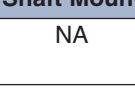
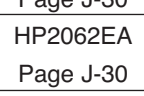
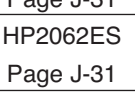
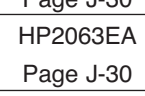
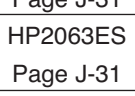
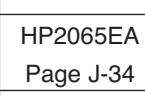
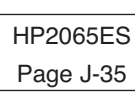
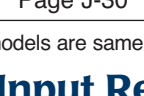
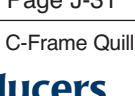
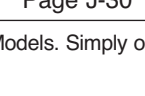
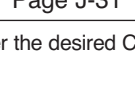
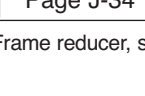
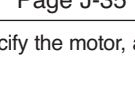
HUB CITY POWERATIO® 2000 – COMPACT HELICAL PARALLEL DRIVES

Model Index

Integral Gearmotors

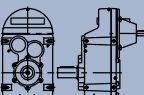
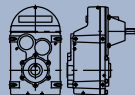
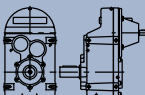
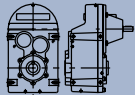
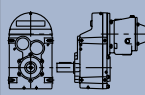
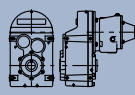
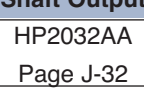
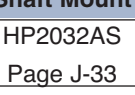
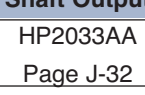
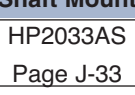
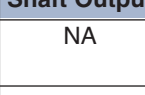
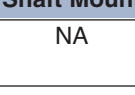
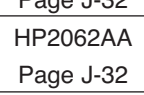
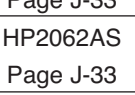
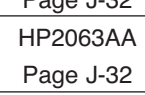
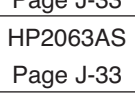
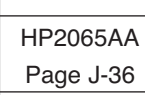
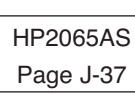

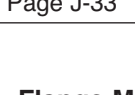
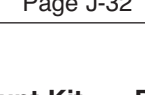
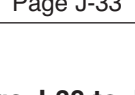
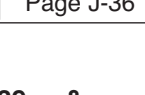
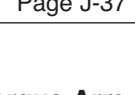
Double Reduction Dimensions		Triple Reduction Dimensions		Quin Reduction Dimensions		Ratings
						Refer To Selection Pages J-9 to J-21
Page J-22 Shaft Output	Page J-23 Shaft Mount	Page J-22 Shaft Output	Page J-23 Shaft Mount	Page J-24 Shaft Output	Page J-25 Shaft Mount	

C-Frame Quill Input Reducers

Series	Double Reduction Dimensions		Triple Reduction Dimensions		Quin Reduction Dimensions		Ratings		
	Shaft Output	Shaft Mount	Shaft Output	Shaft Mount	Shaft Output	Shaft Mount	Double Reduction	Triple Reduction	Quin Reduction
30							Page J-26	Page J-26	NA
	HP2032EA Page J-30	HP2032ES Page J-31	HP2033EA Page J-30	HP2033ES Page J-31	NA	NA			
40							Page J-27	Page J-27	NA
	HP2042EA Page J-30	HP2042ES Page J-31	HP2043EA Page J-30	HP2043ES Page J-31	NA	NA			
60							Page J-28	Page J-28	Page J-28
	HP2062EA Page J-30	HP2062ES Page J-31	HP2063EA Page J-30	HP2063ES Page J-31	HP2065EA Page J-34	HP2065ES Page J-35			
70							Page J-29	Page J-29	Page J-29
	HP2072EA Page J-30	HP2072ES Page J-31	HP2073EA Page J-30	HP2073ES Page J-31	HP2075EA Page J-34	HP2075ES Page J-35			

Motorized models are same as C-Frame Quill Models. Simply order the desired C-Frame reducer, specify the motor, and specify "Motorized Assembly".

Shaft Input Reducers

Series	Double Reduction Dimensions		Triple Reduction Dimensions		Quin Reduction Dimensions		Ratings		
	Shaft Output	Shaft Mount	Shaft Output	Shaft Mount	Shaft Output	Shaft Mount	Double Reduction	Triple Reduction	Quin Reduction
30							Page J-26	Page J-26	NA
	HP2032AA Page J-32	HP2032AS Page J-33	HP2033AA Page J-32	HP2033AS Page J-33	NA	NA			
40							Page J-27	Page J-27	NA
	HP2042AA Page J-32	HP2042AS Page J-33	HP2043AA Page J-32	HP2043AS Page J-33	NA	NA			
60							Page J-28	Page J-28	Page J-28
	HP2062AA Page J-32	HP2062AS Page J-33	HP2063AA Page J-32	HP2063AS Page J-33	HP2065AA Page J-36	HP2065AS Page J-37			
70							Page J-29	Page J-29	Page J-29
	HP2072AA Page J-32	HP2072AS Page J-33	HP2073AA Page J-32	HP2073AS Page J-33	HP2075AA Page J-36	HP2075AS Page J-37			

Accessories

Flange Mount Kit Page J-38 to J-39 & Torque Arm Kit Page J-39

Quick Start Guide To Selection Tables

HP	Output Speed	Output Torque	Ratio	Service Factor	Efficiency (%)	Output OHL	Input OHL	Output Thrust	Gear Stages	Model*	Integral Gearmotor
244		479	7.17	4.79	92.5	2100	275	2400	2	HP2062	Available
233		496	7.50	2.68	91.6	1750	350	2000	2	HP2052	Available
233					91.0	1350	350	1800	2	HP2042	Available
208					91.3	1750	350	2000	2	HP2052	Available
208					90.7	1350	350	1800	2	HP2042	Available
186					90.9	1750	350	2000	2	HP2052	Available
186					90.4	1350	350	1800	2	HP2042	Available
165					90.7	1750	350	2000	2	HP2052	Available
165					90.0	1350	350	1800	2	HP2042	Available
161		714	10.88	4.09	91.3	2100	275	2400	2	HP2062	Available
146		779	12.00	2.11	90.3	1750	350	2000	2	HP2052	Available
146		776	12.00	1.17	89.6	1350	350	1800	2	HP2042	Available
139		827	12.62	3.79					2	HP2062	Available
									2	HP2052	Available
									2	HP2042	Available
112		1006	15.60	1.79	89.4	1750	350	2000	2	HP2052	Available
112		970	15.60	1.00	88.7	1350	350	1800	2	HP2042	Available
106		1070	16.50	3.24	90.1	2100	275	2400	2	HP2062	Available
105		1076	16.74	1.70	89.2	1750	350	2000	2	HP2052	Available
98		1127	17.93	2.76	87.4	2100	350	2400	2	HP2062	Available
93		1134						2000	2	HP2052	Available
89		1273						2400	2	HP2062	Available
83		1227						2000	2	HP2052	Available
83		1353						2400	2	HP2062	Available
74		1424						2000	2	HP2052	Available
73		1528						2400	2	HP2062	Available
68		1643						2400	2	HP2062	Available
66		1592						2000	2	HP2052	Available
64		1677	27.19	2.32	85.5	2100	350	2400	2	HP2062	Available
58		1789	30.00	1.19	82.6	1750	350	2400	2	HP2062	Available
					86.0	3050	525				
					88.2	2100	275				
					87.9	2100	275				
					85.4	3050	525				
					81.9	1750	350	2000	2	HP2052	Available
49		2051	35.85	1.58	79.3	2100	350	2400	2	HP2062	Available
45		2361	38.7								Available
45		2234	39.0								Available
42		2474	41.2								Available
42		2320	41.8								Available

1. Determine Input Horsepower, Output Speed and Load Classification (see Section A).

3. Locate Desired Output speed

4. Locate Required Service Factor (For Help See Page J-5)

5. Check the Output OHL, output thrust, and Output torque ratings to verify they meet your requirements (Output torque listed is the actual torque obtained by the motor HP listed, not the rated torque).

2. Find appropriate Selection by Input HP page (Beginning on Page J-10)

6. Read across to select model number. Refer to Page J-6 for Mounting type and Ordering information.

IN THIS CATALOG:
 HP = Horsepower
 Output torque is displayed in inch pounds (in. lbs.)
 OHL = Over hung load (measured at centerline of output shaft)
 Service Factor is based on maximum rated torque of gear drive

* For Integral Gearmotors Specify Mounting Type I and motor horsepower (See page J-6).
 * For Motorized Reducers Specify Mounting Type E and Motor Part Number (See Section H)
 All torque values listed in inch-pounds, all overhung load and thrust load values listed in pounds.
 The point of application of OHL is considered to be applied at the midpoint of shaft extension. Input OHL applies only to shaft input models.
 OHL and thrust ratings cannot be applied simultaneously. Consult the factory for applications with combined OHL and thrust load.
 At speeds above 1750 RPM, units may become thermally limited. For extended operation, limit HP to 1750 RPM rating.

HUB CITY POWERATIO® 2000 – COMPACT HELICAL PARALLEL DRIVES

Selection By Input H.P. @ 1750 RPM

HP	Output Speed	Output Torque	Ratio	Service Factor	Output OHL	Output Thrust	Gear Stages	Model*	Integral Gearmotor
↑	511	30	3.42	28.72	380	1150	2	HP2032	Available
	456	33	3.83	28.36	400	1150	2	HP2032	Available
	407	37	4.30	26.34	410	1150	2	HP2032	Available
	361	42	4.85	25.31	420	1150	2	HP2032	Available
	319	47	5.48	24.29	430	1150	2	HP2032	Available
	281	54	6.23	22.30	450	1150	2	HP2032	Available
	246	62	7.12	19.98	560	1150	2	HP2032	Available
	229	66	7.64	18.93	580	1150	2	HP2032	Available
	185	82	9.46	24.09	700	1730	2	HP2042	Available
	176	86	9.93	17.47	525	1400	2	HP2032	Available
	156	97	11.23	17.00	530	1400	2	HP2032	Available
	137	110	12.76	15.86	550	1400	2	HP2032	Available
	120	126	14.60	14.03	580	1400	2	HP2032	Available
	112	135	15.66	13.07	620	1400	2	HP2032	Available
	92	165	19.09	10.73	680	1400	2	HP2032	Available
	74	206	23.80	8.60	760	1400	2	HP2032	Available
	61	248	28.70	7.13	850	1400	2	HP2032	Available
	53	285	32.99	6.21	900	1400	2	HP2032	Available
	51	290	34.29	6.10	960	1400	3	HP2033	Available
	44	335	39.63	5.28	960	1400	3	HP2033	Available
	41	362	42.79	4.89	960	1400	3	HP2033	Available
	36	411	48.59	8.61	1250	1950	3	HP2043	Available
	29	509	60.16	3.48	960	1400	3	HP2033	Available
	25	588	69.52	3.01	960	1400	3	HP2033	Available
	25	604	71.40	5.86	1250	1950	3	HP2043	Available
	23	635	75.07	2.79	960	1400	3	HP2033	Available
	22	664	78.40	5.34	1250	1950	3	HP2043	Available
	21	712	84.11	4.97	1250	1950	3	HP2043	Available
	21	722	85.34	2.45	960	1400	3	HP2033	Available
	19.0	780	92.16	2.27	960	1400	3	HP2033	Available
	17.2	863	101.94	2.05	960	1400	3	HP2033	Available
	17.1	868	102.52	4.08	1250	1950	3	HP2043	Available
	14.9	997	117.80	1.78	960	1400	3	HP2033	Available
	13.8	1077	127.21	1.64	960	1400	3	HP2033	Available
	13.7	1082	127.79	3.27	1250	1950	3	HP2043	Available
	11.4	1304	154.12	2.71	1250	1950	3	HP2043	Available
	9.9	1500	177.15	2.36	1250	1950	3	HP2043	Available
	9.4	1573	185.82	4.62	2050	2850	3	HP2063	Available
	8.6	1716	202.75	4.23	2050	2850	3	HP2063	Available
	7.9	1883	222.50	3.86	2050	2850	3	HP2063	Available
6.5	2263	267.36	5.88	3300	3370	3	HP2073	Available	
6.3	2241	275.81	3.24	2050	2850	5	HP2065	Available	
5.8	2445	302.64	5.44	3300	3370	5	HP2075	Available	
5.2	2748	338.43	4.84	3300	3370	5	HP2075	Available	
4.9	2881	354.30	2.52	2050	2850	5	HP2065	Available	
4.1	3425	424.65	2.12	2050	2850	5	HP2065	Available	
3.9	3614	444.42	3.68	3300	3370	5	HP2075	Available	
3.4	4209	519.18	3.16	3300	3370	5	HP2075	Available	
3.3	4321	537.33	1.68	2050	2850	5	HP2065	Available	
2.8	5186	634.64	1.40	2050	2850	5	HP2065	Available	

All torque values listed in inch-pounds, all overhung load and thrust load values listed in pounds.
 The point of application of OHL is considered to be applied at the midpoint of shaft extension.
 OHL and thrust ratings cannot be applied simultaneously. Consult the factory for applications with combined OHL and thrust load.
 At speeds above 1750 RPM, units may become thermally limited. For extended operation, limit HP to 1750 RPM rating.
 For Integral Gearmotors Specify Mounting Type I and motor horsepower (See page J-6). For Motorized Reducers Specify Mounting Type E and Motor Part Number (See Section H)



Selection By Input H.P. @ 1750 RPM

HP	Output Speed	Output Torque	Ratio	Service Factor	Output OHL	Output Thrust	Gear Stages	Model*	Integral Gearmotor
↑ 1/4 ↓	2.7	5195	636.89	2.56	3300	3370	5	HP2075	Available
	2.2	6520	805.67	2.04	3300	3370	5	HP2075	Available
	2.2	6482	807.73	1.12	2050	2850	5	HP2065	Available
	1.8	7917	966.32	1.68	3300	3370	5	HP2075	Available
	1.5	9779	1205.25	1.36	3300	3370	5	HP2075	Available
	1.2	11875	1453.00	1.12	3300	3370	5	HP2075	Available
↑ 1/3 ↓	511	39	3.42	21.56	380	1150	2	HP2032	Available
	456	44	3.83	21.29	400	1150	2	HP2032	Available
	407	50	4.30	19.78	410	1150	2	HP2032	Available
	361	56	4.85	19.00	420	1150	2	HP2032	Available
	319	63	5.48	18.23	430	1150	2	HP2032	Available
	281	72	6.23	16.74	450	1150	2	HP2032	Available
	246	82	7.12	15.00	560	1150	2	HP2032	Available
	229	88	7.64	14.21	580	1150	2	HP2032	Available
	185	109	9.46	18.08	700	1730	2	HP2042	Available
	176	114	9.93	13.11	525	1400	2	HP2032	Available
	156	129	11.23	12.76	530	1400	2	HP2032	Available
	137	147	12.76	11.91	550	1400	2	HP2032	Available
	120	168	14.60	10.53	580	1400	2	HP2032	Available
	112	180	15.66	9.81	620	1400	2	HP2032	Available
	92	220	19.09	8.05	680	1400	2	HP2032	Available
	74	274	23.80	6.46	760	1400	2	HP2032	Available
	61	330	28.70	5.36	850	1400	2	HP2032	Available
	53	380	32.99	4.66	900	1400	2	HP2032	Available
	51	387	34.29	4.58	960	1400	3	HP2033	Available
	44	447	39.63	3.96	960	1400	3	HP2033	Available
	41	482	42.79	3.67	960	1400	3	HP2033	Available
	36	548	48.59	6.46	1250	1950	3	HP2043	Available
	29	678	60.16	2.61	960	1400	3	HP2033	Available
	26	773	68.53	4.58	1250	1950	3	HP2043	Available
	25	784	69.52	2.26	960	1400	3	HP2033	Available
	25	805	71.40	4.40	1250	1950	3	HP2043	Available
	23	846	75.07	2.09	960	1400	3	HP2033	Available
	22	884	78.40	4.01	1250	1950	3	HP2043	Available
	21	948	84.11	3.73	1250	1950	3	HP2043	Available
	21	962	85.34	1.84	960	1400	3	HP2033	Available
	19.0	1039	92.16	1.70	960	1400	3	HP2033	Available
	17.2	1149	101.94	1.54	960	1400	3	HP2033	Available
	17.1	1156	102.52	3.06	1250	1950	3	HP2043	Available
14.9	1328	117.80	1.33	960	1400	3	HP2033	Available	
13.8	1434	127.21	1.23	960	1400	3	HP2033	Available	
13.7	1441	127.79	2.46	1250	1950	3	HP2043	Available	
12.8	1544	136.92	4.70	2050	2850	3	HP2063	Available	
11.9	1657	146.99	4.38	2050	2850	3	HP2063	Available	
11.4	1737	154.12	2.04	1250	1950	3	HP2043	Available	
10.2	1929	171.15	3.76	2050	2850	3	HP2063	Available	
9.9	1998	177.15	1.77	1250	1950	3	HP2043	Available	
9.4	2095	185.82	3.47	2050	2850	3	HP2063	Available	
7.9	2508	222.50	2.89	2050	2850	3	HP2063	Available	

All torque values listed in inch-pounds, all overhung load and thrust load values listed in pounds.

The point of application of OHL is considered to be applied at the midpoint of shaft extension.

OHL and thrust ratings cannot be applied simultaneously. Consult the factory for applications with combined OHL and thrust load.

At speeds above 1750 RPM, units may become thermally limited. For extended operation, limit HP to 1750 RPM rating.

For Integral Gearmotors Specify Mounting Type I and motor horsepower (See page J-6). For Motorized Reducers Specify Mounting Type E and Motor Part Number (See Section H)

Selection By Input H.P. @ 1750 RPM

HP	Output Speed	Output Torque	Ratio	Service Factor	Output OHL	Output Thrust	Gear Stages	Model*	Integral Gearmotor
1/3	6.5	3014	267.36	4.41	3300	3370	3	HP2073	Available
	6.3	2985	275.81	2.43	2050	2850	5	HP2065	Available
	5.8	3257	302.64	4.08	3300	3370	5	HP2075	Available
	5.2	3660	338.43	3.63	3300	3370	5	HP2075	Available
	4.9	3837	354.30	1.89	2050	2850	5	HP2065	Available
	4.1	4561	424.65	1.59	2050	2850	5	HP2065	Available
	3.9	4814	444.42	2.76	3300	3370	5	HP2075	Available
	3.4	5606	519.18	2.37	3300	3370	5	HP2075	Available
	3.3	5756	537.33	1.26	2050	2850	5	HP2065	Available
	2.8	6907	634.64	1.05	2050	2850	5	HP2065	Available
	2.7	6920	636.89	1.92	3300	3370	5	HP2075	Available
	2.2	8684	805.67	1.53	3300	3370	5	HP2075	Available
	1.8	10545	966.32	1.26	3300	3370	5	HP2075	Available
	1.5	13026	1205.25	1.02	3300	3370	5	HP2075	Available
	1/2	511	59	3.42	14.36	380	1150	2	HP2032
456		66	3.83	14.18	400	1150	2	HP2032	Available
407		74	4.30	13.17	410	1150	2	HP2032	Available
361		84	4.85	12.65	420	1150	2	HP2032	Available
319		95	5.48	12.14	430	1150	2	HP2032	Available
281		108	6.23	11.15	450	1150	2	HP2032	Available
246		123	7.12	9.99	560	1150	2	HP2032	Available
229		132	7.64	9.46	580	1150	2	HP2032	Available
185		164	9.46	12.04	700	1730	2	HP2042	Available
176		172	9.93	8.73	525	1400	2	HP2032	Available
156		194	11.23	8.50	530	1400	2	HP2032	Available
137		221	12.76	7.93	550	1400	2	HP2032	Available
120		252	14.60	7.01	580	1400	2	HP2032	Available
112		271	15.66	6.54	620	1400	2	HP2032	Available
92		330	19.09	5.36	680	1400	2	HP2032	Available
74		411	23.80	4.30	760	1400	2	HP2032	Available
61		496	28.70	3.57	850	1400	2	HP2032	Available
53		570	32.99	3.10	900	1400	2	HP2032	Available
51		580	34.29	3.05	960	1400	3	HP2033	Available
44		671	39.63	2.64	960	1400	3	HP2033	Available
41		724	42.79	2.44	960	1400	3	HP2033	Available
41		730	43.15	4.85	1250	1950	3	HP2043	Available
36		822	48.59	4.30	1250	1950	3	HP2043	Available
32		930	54.92	3.81	1250	1950	3	HP2043	Available
29		1018	60.16	1.74	960	1400	3	HP2033	Available
28		1056	62.41	3.35	1250	1950	3	HP2043	Available
26		1160	68.53	3.05	1250	1950	3	HP2043	Available
25		1177	69.52	1.50	960	1400	3	HP2033	Available
25		1209	71.40	2.93	1250	1950	3	HP2043	Available
23		1271	75.07	1.39	960	1400	3	HP2033	Available
22	1327	78.40	2.67	1250	1950	3	HP2043	Available	
21	1424	84.11	2.49	1250	1950	3	HP2043	Available	
21	1444	85.34	1.23	960	1400	3	HP2033	Available	

All torque values listed in inch-pounds, all overhung load and thrust load values listed in pounds.
 The point of application of OHL is considered to be applied at the midpoint of shaft extension.
 OHL and thrust ratings cannot be applied simultaneously. Consult the factory for applications with combined OHL and thrust load.
 At speeds above 1750 RPM, units may become thermally limited. For extended operation, limit HP to 1750 RPM rating.
 For Integral Gearmotors Specify Mounting Type I and motor horsepower (See page J-6). For Motorized Reducers Specify Mounting Type E and Motor Part Number (See Section H)

Selection By Input H.P. @ 1750 RPM

HP	Output Speed	Output Torque	Ratio	Service Factor	Output OHL	Output Thrust	Gear Stages	Model*	Integral Gearmotor	
↑ 1/2 ↓	19.0	1560	92.16	1.13	960	1400	3	HP2033	Available	
	18.8	1577	93.17	4.60	2050	2850	3	HP2063	Available	
	17.2	1726	101.94	1.03	960	1400	3	HP2033	Available	
	17.1	1735	102.52	2.04	1250	1950	3	HP2043	Available	
	16.4	1802	106.48	4.03	2050	2850	3	HP2063	Available	
	15.6	1904	112.47	3.81	2050	2850	3	HP2063	Available	
	14.6	2028	119.81	3.58	2050	2850	3	HP2063	Available	
	13.7	2163	127.79	1.64	1250	1950	3	HP2043	Available	
	12.8	2318	136.92	3.13	2050	2850	3	HP2063	Available	
	11.9	2488	146.99	2.92	2050	2850	3	HP2063	Available	
	11.4	2609	154.12	1.36	1250	1950	3	HP2043	Available	
	10.2	2897	171.15	2.51	2050	2850	3	HP2063	Available	
	9.9	3000	177.15	1.18	1250	1950	3	HP2043	Available	
	9.4	3145	185.82	2.31	2050	2850	3	HP2063	Available	
	8.6	3432	202.75	2.12	2050	2850	3	HP2063	Available	
	8.1	3653	215.84	3.64	3300	3370	3	HP2073	Available	
	7.9	3766	222.50	1.93	2050	2850	3	HP2063	Available	
	6.5	4526	267.36	2.94	3300	3370	3	HP2073	Available	
	6.3	4481	275.81	1.62	2050	2850	5	HP2065	Available	
	5.8	4890	302.64	2.72	3300	3370	5	HP2075	Available	
	5.2	5496	338.43	2.42	3300	3370	5	HP2075	Available	
	4.9	5762	354.30	1.26	2050	2850	5	HP2065	Available	
	4.1	6849	424.65	1.06	2050	2850	5	HP2065	Available	
	3.9	7228	444.42	1.84	3300	3370	5	HP2075	Available	
	3.4	8418	519.18	1.58	3300	3370	5	HP2075	Available	
	2.7	10391	636.89	1.28	3300	3370	5	HP2075	Available	
	2.2	13039	805.67	1.02	3300	3370	5	HP2075	Available	
	↑ 3/4 ↓	511	89	3.42	9.57	380	1150	2	HP2032	Available
		456	99	3.83	9.45	400	1150	2	HP2032	Available
		407	112	4.30	8.78	410	1150	2	HP2032	Available
		361	126	4.85	8.44	420	1150	2	HP2032	Available
		319	142	5.48	8.10	430	1150	2	HP2032	Available
		281	161	6.23	7.43	450	1150	2	HP2032	Available
		246	185	7.12	6.66	560	1150	2	HP2032	Available
229		198	7.64	6.31	580	1150	2	HP2032	Available	
185		245	9.46	8.03	700	1730	2	HP2042	Available	
176		258	9.93	5.82	525	1400	2	HP2032	Available	
156		291	11.23	5.67	530	1400	2	HP2032	Available	
137		331	12.76	5.29	550	1400	2	HP2032	Available	
120		379	14.60	4.68	580	1400	2	HP2032	Available	
112		406	15.66	4.36	620	1400	2	HP2032	Available	
92		495	19.09	3.58	680	1400	2	HP2032	Available	
74		617	23.80	2.87	760	1400	2	HP2032	Available	
63		719	27.75	4.92	1100	1950	2	HP2042	Available	
61		744	28.70	2.38	850	1400	2	HP2032	Available	
54		838	32.31	4.23	1200	1950	2	HP2042	Available	
53		855	32.99	2.07	900	1400	2	HP2032	Available	

All torque values listed in inch-pounds, all overhung load and thrust load values listed in pounds.
 The point of application of OHL is considered to be applied at the midpoint of shaft extension.
 OHL and thrust ratings cannot be applied simultaneously. Consult the factory for applications with combined OHL and thrust load.
 At speeds above 1750 RPM, units may become thermally limited. For extended operation, limit HP to 1750 RPM rating.
 For Integral Gearmotors Specify Mounting Type I and motor horsepower (See page J-6). For Motorized Reducers Specify Mounting Type E and Motor Part Number (See Section H)

HUB CITY POWERATIO® 2000 – COMPACT HELICAL PARALLEL DRIVES

Selection By Input H.P. @ 1750 RPM

HP	Output Speed	Output Torque	Ratio	Service Factor	Output OHL	Output Thrust	Gear Stages	Model*	Integral Gearmotor
3/4	51	871	34.29	2.03	960	1400	3	HP2033	Available
	51	872	34.33	4.06	1200	1950	3	HP2043	Available
	46	976	38.45	3.63	1250	1950	3	HP2043	Available
	44	1006	39.63	1.76	960	1400	3	HP2033	Available
	41	1087	42.79	1.63	960	1400	3	HP2033	Available
	41	1096	43.15	3.23	1250	1950	3	HP2043	Available
	36	1234	48.59	2.87	1250	1950	3	HP2043	Available
	32	1395	54.92	2.54	1250	1950	3	HP2043	Available
	29	1527	60.16	1.16	960	1400	3	HP2033	Available
	28	1585	62.41	2.23	1250	1950	3	HP2043	Available
	26	1740	68.53	2.03	1250	1950	3	HP2043	Available
	25	1765	69.52	1.00	960	1400	3	HP2033	Available
	25	1813	71.40	1.95	1250	1950	3	HP2043	Available
	24	1859	73.21	3.91	2050	2850	3	HP2063	Available
	22	1991	78.40	1.78	1250	1950	3	HP2043	Available
	21	2136	84.11	1.66	1250	1950	3	HP2043	Available
	20	2221	87.47	3.27	2050	2850	3	HP2063	Available
	18.8	2366	93.17	3.07	2050	2850	3	HP2063	Available
	17.1	2603	102.52	1.36	1250	1950	3	HP2043	Available
	16.4	2704	106.48	2.69	2050	2850	3	HP2063	Available
	15.6	2856	112.47	2.54	2050	2850	3	HP2063	Available
	14.6	3042	119.81	2.39	2050	2850	3	HP2063	Available
	13.7	3245	127.79	1.09	1250	1950	3	HP2043	Available
	12.8	3476	136.92	2.09	2050	2850	3	HP2063	Available
	11.9	3732	146.99	1.95	2050	2850	3	HP2063	Available
	11.6	3845	151.44	3.46	3300	3370	3	HP2073	Available
	10.2	4346	171.15	1.67	2050	2850	3	HP2063	Available
	9.8	4546	179.04	2.93	3300	3370	3	HP2073	Available
	9.4	4718	185.82	1.54	2050	2850	3	HP2063	Available
	8.6	5148	202.75	1.41	2050	2850	3	HP2063	Available
	8.1	5480	215.84	2.43	3300	3370	3	HP2073	Available
	7.9	5649	222.50	1.29	2050	2850	3	HP2063	Available
	6.5	6788	267.36	1.96	3300	3370	3	HP2073	Available
	6.3	6722	275.81	1.08	2050	2850	5	HP2065	Available
	5.8	7335	302.64	1.81	3300	3370	5	HP2075	Available
	5.2	8244	338.43	1.61	3300	3370	5	HP2075	Available
3.9	10842	444.42	1.23	3300	3370	5	HP2075	Available	
3.4	12627	519.18	1.05	3300	3370	5	HP2075	Available	
1	511	118	3.42	7.18	380	1150	2	HP2032	Available
	456	133	3.83	7.09	400	1150	2	HP2032	Available
	407	149	4.30	6.59	410	1150	2	HP2032	Available
	361	168	4.85	6.33	420	1150	2	HP2032	Available
	319	189	5.48	6.07	430	1150	2	HP2032	Available
	281	215	6.23	5.58	450	1150	2	HP2032	Available
	246	246	7.12	5.00	560	1150	2	HP2032	Available
	229	264	7.64	4.73	580	1150	2	HP2032	Available
	185	327	9.46	6.02	700	1730	2	HP2042	Available
	176	343	9.93	4.37	525	1400	2	HP2032	Available

All torque values listed in inch-pounds, all overhung load and thrust load values listed in pounds.
 The point of application of OHL is considered to be applied at the midpoint of shaft extension.
 OHL and thrust ratings cannot be applied simultaneously. Consult the factory for applications with combined OHL and thrust load.
 At speeds above 1750 RPM, units may become thermally limited. For extended operation, limit HP to 1750 RPM rating.
 For Integral Gearmotors Specify Mounting Type I and motor horsepower (See page J-6). For Motorized Reducers Specify Mounting Type E and Motor Part Number (See Section H)



Selection By Input H.P. @ 1750 RPM

HP	Output Speed	Output Torque	Ratio	Service Factor	Output OHL	Output Thrust	Gear Stages	Model*	Integral Gearmotor
↑	156	388	11.23	4.25	530	1400	2	HP2032	Available
	137	441	12.76	3.97	550	1400	2	HP2032	Available
	120	505	14.60	3.51	580	1400	2	HP2032	Available
	112	542	15.66	3.27	620	1400	2	HP2032	Available
	92	660	19.09	2.68	680	1400	2	HP2032	Available
	82	734	21.23	4.82	930	1950	2	HP2042	Available
	77	782	22.62	4.53	930	1950	2	HP2042	Available
	74	823	23.80	2.15	760	1400	2	HP2032	Available
	68	894	25.85	3.96	1050	1950	2	HP2042	Available
	63	959	27.75	3.69	1100	1950	2	HP2042	Available
	61	992	28.70	1.78	850	1400	2	HP2032	Available
	54	1117	32.31	3.17	1200	1950	2	HP2042	Available
	53	1141	32.99	1.55	900	1400	2	HP2032	Available
	51	1161	34.29	1.52	960	1400	3	HP2033	Available
	51	1162	34.33	3.05	1200	1950	3	HP2043	Available
	46	1302	38.45	2.72	1250	1950	3	HP2043	Available
	44	1342	39.63	1.32	960	1400	3	HP2033	Available
	41	1449	42.79	1.22	960	1400	3	HP2033	Available
	41	1461	43.15	2.42	1250	1950	3	HP2043	Available
	36	1633	48.25	4.29	2050	2850	3	HP2063	Available
	36	1645	48.59	2.15	1250	1950	3	HP2043	Available
	32	1859	54.92	1.90	1250	1950	3	HP2043	Available
	31	1896	55.99	3.83	2050	2850	3	HP2063	Available
	28	2113	62.41	1.68	1250	1950	3	HP2043	Available
	26	2320	68.53	1.53	1250	1950	3	HP2043	Available
	25	2417	71.40	1.46	1250	1950	3	HP2043	Available
	24	2478	73.21	2.93	2050	2850	3	HP2063	Available
	22	2654	78.40	1.33	1250	1950	3	HP2043	Available
	21	2848	84.11	1.24	1250	1950	3	HP2043	Available
	20	2961	87.47	2.45	2050	2850	3	HP2063	Available
	18.8	3154	93.17	2.30	2050	2850	3	HP2063	Available
	17.1	3471	102.52	1.02	1250	1950	3	HP2043	Available
16.4	3605	106.48	2.01	2050	2850	3	HP2063	Available	
16.2	3650	107.81	3.64	3300	3370	3	HP2073	Available	
15.6	3808	112.47	1.91	2050	2850	3	HP2063	Available	
14.6	4056	119.81	1.79	2050	2850	3	HP2063	Available	
12.8	4635	136.92	1.57	2050	2850	3	HP2063	Available	
11.9	4976	146.99	1.46	2050	2850	3	HP2063	Available	
11.6	5127	151.44	2.59	3300	3370	3	HP2073	Available	
10.2	5794	171.15	1.25	2050	2850	3	HP2063	Available	
9.8	6061	179.04	2.19	3300	3370	3	HP2073	Available	
9.4	6291	185.82	1.15	2050	2850	3	HP2063	Available	
8.6	6864	202.75	1.06	2050	2850	3	HP2063	Available	
8.1	7307	215.84	1.82	3300	3370	3	HP2073	Available	
6.5	9051	267.36	1.47	3300	3370	3	HP2073	Available	
5.8	9779	302.64	1.36	3300	3370	5	HP2075	Available	
5.2	10992	338.43	1.21	3300	3370	5	HP2075	Available	

1

Selection

All torque values listed in inch-pounds, all overhung load and thrust load values listed in pounds. The point of application of OHL is considered to be applied at the midpoint of shaft extension. OHL and thrust ratings cannot be applied simultaneously. Consult the factory for applications with combined OHL and thrust load. At speeds above 1750 RPM, units may become thermally limited. For extended operation, limit HP to 1750 RPM rating. For Integral Gearmotors Specify Mounting Type I and motor horsepower (See page J-6). For Motorized Reducers Specify Mounting Type E and Motor Part Number (See Section H)

HUB CITY POWERATIO® 2000 – COMPACT HELICAL PARALLEL DRIVES

Selection By Input H.P. @ 1750 RPM

HP	Output Speed	Output Torque	Ratio	Service Factor	Output OHL	Output Thrust	Gear Stages	Model*	Integral Gearmotor
↑	511	178	3.42	4.79	380	1150	2	HP2032	Available
	456	199	3.83	4.73	400	1150	2	HP2032	Available
	407	223	4.30	4.39	410	1150	2	HP2032	Available
	361	251	4.85	4.22	420	1150	2	HP2032	Available
	319	284	5.48	4.05	430	1150	2	HP2032	Available
	281	323	6.23	3.72	450	1150	2	HP2032	Available
	246	369	7.12	3.33	560	1150	2	HP2032	Available
	229	396	7.64	3.15	580	1150	2	HP2032	Available
	185	491	9.46	4.01	700	1730	2	HP2042	Available
	176	515	9.93	2.91	525	1400	2	HP2032	Available
	156	582	11.23	2.83	530	1400	2	HP2032	Available
	137	662	12.76	2.64	550	1400	2	HP2032	Available
	129	705	13.59	5.02	770	1950	2	HP2042	Available
	120	757	14.60	2.34	580	1400	2	HP2032	Available
	112	812	15.66	2.18	620	1400	2	HP2032	Available
	98	922	17.77	3.84	830	1950	2	HP2042	Available
	92	990	19.09	1.79	680	1400	2	HP2032	Available
	82	1101	21.23	3.22	930	1950	2	HP2042	Available
	77	1173	22.62	3.02	930	1950	2	HP2042	Available
	74	1234	23.80	1.43	760	1400	2	HP2032	Available
	68	1340	25.85	2.64	1050	1950	2	HP2042	Available
1-1/2	64	1413	27.24	4.52	2050	2850	2	HP2062	Available
	63	1439	27.75	2.46	1100	1950	2	HP2042	Available
	61	1488	28.70	1.19	850	1400	2	HP2032	Available
	54	1675	32.31	2.11	1200	1950	2	HP2042	Available
	53	1703	32.85	3.90	2050	2850	2	HP2062	Available
	53	1711	32.99	1.03	900	1400	2	HP2032	Available
	51	1741	34.29	1.02	960	1400	3	HP2033	Available
	51	1743	34.33	2.03	1200	1950	3	HP2043	Available
	46	1936	38.13	3.46	2050	2850	3	HP2063	Available
	46	1952	38.45	1.81	1250	1950	3	HP2043	Available
	41	2191	43.15	1.62	1250	1950	3	HP2043	Available
	36	2450	48.25	2.86	2050	2850	3	HP2063	Available
	36	2467	48.59	1.43	1250	1950	3	HP2043	Available
	32	2789	54.92	1.27	1250	1950	3	HP2043	Available
	31	2843	55.99	2.55	2050	2850	3	HP2063	Available
	28	3169	62.41	1.12	1250	1950	3	HP2043	Available
	26	3480	68.53	1.02	1250	1950	3	HP2043	Available
	25	3569	70.28	3.73	3300	3370	3	HP2073	Available
	24	3717	73.21	1.95	2050	2850	3	HP2063	Available
	23	3916	77.12	3.40	3300	3370	3	HP2073	Available
	21	4243	83.55	3.13	3300	3370	3	HP2073	Available
	20	4442	87.47	1.63	2050	2850	3	HP2063	Available
	18.8	4731	93.17	1.53	2050	2850	3	HP2063	Available
	18.5	4804	94.61	2.77	3300	3370	3	HP2073	Available
	16.4	5407	106.48	1.34	2050	2850	3	HP2063	Available
	16.2	5474	107.81	2.43	3300	3370	3	HP2073	Available
↓	15.6	5711	112.47	1.27	2050	2850	3	HP2063	Available

All torque values listed in inch-pounds, all overhung load and thrust load values listed in pounds.

The point of application of OHL is considered to be applied at the midpoint of shaft extension.

OHL and thrust ratings cannot be applied simultaneously. Consult the factory for applications with combined OHL and thrust load.

At speeds above 1750 RPM, units may become thermally limited. For extended operation, limit HP to 1750 RPM rating.

For Integral Gearmotors Specify Mounting Type I and motor horsepower (See page J-6). For Motorized Reducers Specify Mounting Type E and Motor Part Number (See Section H)

Selection By Input H.P. @ 1750 RPM

HP	Output Speed	Output Torque	Ratio	Service Factor	Output OHL	Output Thrust	Gear Stages	Model*	Integral Gearmotor
↑ 1-1/2 ↓	14.6	6084	119.81	1.19	2050	2850	3	HP2063	Available
	12.8	6953	136.92	1.04	2050	2850	3	HP2063	Available
	11.6	7690	151.44	1.73	3300	3370	3	HP2073	Available
	9.8	9092	179.04	1.46	3300	3370	3	HP2073	Available
	8.1	10960	215.84	1.21	3300	3370	3	HP2073	Available
↑ 2 ↓	511	237	3.42	3.59	380	1150	2	HP2032	Available
	456	265	3.83	3.54	400	1150	2	HP2032	Available
	424	285	4.13	4.49	650	1730	2	HP2042	Available
	407	298	4.30	3.29	410	1150	2	HP2032	Available
	361	335	4.85	3.16	420	1150	2	HP2032	Available
	335	361	5.22	4.16	650	1730	2	HP2042	Available
	319	379	5.48	3.04	430	1150	2	HP2032	Available
	289	419	6.06	3.94	650	1730	2	HP2042	Available
	281	430	6.23	2.79	450	1150	2	HP2032	Available
	246	492	7.12	2.50	560	1150	2	HP2032	Available
	229	528	7.64	2.37	580	1150	2	HP2032	Available
	221	548	7.92	3.51	650	1730	2	HP2042	Available
	185	654	9.46	3.01	700	1730	2	HP2042	Available
	176	687	9.93	2.18	525	1400	2	HP2032	Available
	156	777	11.23	2.12	530	1400	2	HP2032	Available
	149	810	11.71	4.37	800	1730	2	HP2042	Available
	137	882	12.76	1.98	550	1400	2	HP2032	Available
	129	940	13.59	3.77	770	1950	2	HP2042	Available
	120	1010	14.60	1.75	580	1400	2	HP2032	Available
	112	1083	15.66	1.63	620	1400	2	HP2032	Available
	107	1134	16.41	4.84	2050	2850	2	HP2062	Available
	98	1229	17.77	2.88	830	1950	2	HP2042	Available
	92	1320	19.09	1.34	680	1400	2	HP2032	Available
	82	1468	21.23	2.41	930	1950	2	HP2042	Available
	77	1564	22.62	2.26	930	1950	2	HP2042	Available
	76	1593	23.04	3.77	2050	2850	2	HP2062	Available
	74	1646	23.80	1.08	760	1400	2	HP2032	Available
	68	1787	25.85	1.98	1050	1950	2	HP2042	Available
	64	1884	27.24	3.39	2050	2850	2	HP2062	Available
	63	1919	27.75	1.85	1100	1950	2	HP2042	Available
	54	2234	32.31	1.58	1200	1950	2	HP2042	Available
	53	2271	32.85	2.93	2050	2850	2	HP2062	Available
	51	2324	34.33	1.52	1200	1950	3	HP2043	Available
	46	2582	38.13	2.60	2050	2850	3	HP2063	Available
46	2603	38.45	1.36	1250	1950	3	HP2043	Available	
41	2922	43.15	1.21	1250	1950	3	HP2043	Available	
36	3267	48.25	2.14	2050	2850	3	HP2063	Available	
36	3290	48.59	1.08	1250	1950	3	HP2043	Available	
34	3452	50.98	3.85	3300	3370	3	HP2073	Available	
31	3791	55.99	1.91	2050	2850	3	HP2063	Available	
31	3879	57.29	3.43	3300	3370	3	HP2073	Available	
28	4202	62.06	3.17	3300	3370	3	HP2073	Available	
25	4758	70.28	2.80	3300	3370	3	HP2073	Available	

All torque values listed in inch-pounds, all overhung load and thrust load values listed in pounds.

The point of application of OHL is considered to be applied at the midpoint of shaft extension.

OHL and thrust ratings cannot be applied simultaneously. Consult the factory for applications with combined OHL and thrust load.

At speeds above 1750 RPM, units may become thermally limited. For extended operation, limit HP to 1750 RPM rating.

For Integral Gearmotors Specify Mounting Type I and motor horsepower (See page J-6). For Motorized Reducers Specify Mounting Type E and Motor Part Number (See Section H)

HUB CITY POWERATIO® 2000 – COMPACT HELICAL PARALLEL DRIVES

Selection By Input H.P. @ 1750 RPM

HP	Output Speed	Output Torque	Ratio	Service Factor	Output OHL	Output Thrust	Gear Stages	Model*	Integral Gearmotor
↑ 2 ↓	24	4957	73.21	1.46	2050	2850	3	HP2063	Available
	23	5222	77.12	2.55	3300	3370	3	HP2073	
	21	5657	83.55	2.35	3300	3370	3	HP2073	
	20	5922	87.47	1.23	2050	2850	3	HP2063	Available
	18.8	6308	93.17	1.15	2050	2850	3	HP2063	Available
	18.5	6406	94.61	2.08	3300	3370	3	HP2073	
	16.4	7210	106.48	1.01	2050	2850	3	HP2063	Available
	16.2	7299	107.81	1.82	3300	3370	3	HP2073	Available
	11.6	10253	151.44	1.30	3300	3370	3	HP2073	Available
	9.8	12122	179.04	1.10	3300	3370	3	HP2073	Available
↑ 3 ↓	511	355	3.42	2.39	380	1150	2	HP2032	
	456	398	3.83	2.36	400	1150	2	HP2032	
	424	428	4.13	2.99	650	1730	2	HP2042	Available
	407	446	4.30	2.20	410	1150	2	HP2032	
	361	503	4.85	2.11	420	1150	2	HP2032	
	349	520	5.01	3.69	2050	2400	2	HP2062	Available
	335	541	5.22	2.77	650	1730	2	HP2042	Available
	324	561	5.41	3.67	2050	2400	2	HP2062	Available
	319	568	5.48	2.02	430	1150	2	HP2032	
	289	628	6.06	2.63	650	1730	2	HP2042	Available
	288	630	6.08	3.41	2050	2400	2	HP2062	Available
	281	646	6.23	1.86	450	1150	2	HP2032	
	266	683	6.58	3.30	2050	2850	2	HP2062	Available
	246	739	7.12	1.67	560	1150	2	HP2032	
	235	773	7.45	3.30	2050	2850	2	HP2062	Available
	229	793	7.64	1.58	580	1150	2	HP2032	
	221	821	7.92	2.34	650	1730	2	HP2042	Available
	206	881	8.49	2.89	2050	2850	2	HP2062	Available
	185	981	9.46	2.01	700	1730	2	HP2042	Available
	181	1004	9.68	3.98	2050	2850	2	HP2062	Available
	176	1030	9.93	1.46	525	1400	2	HP2032	
	168	1083	10.44	3.88	2050	2850	2	HP2062	Available
	156	1165	11.23	1.42	530	1400	2	HP2032	
	149	1215	11.71	2.91	800	1730	2	HP2042	Available
	138	1319	12.71	3.79	2050	2850	2	HP2062	Available
	137	1324	12.76	1.32	550	1400	2	HP2032	
	129	1410	13.59	2.51	770	1950	2	HP2042	Available
	122	1493	14.40	3.55	2050	2850	2	HP2062	Available
	120	1514	14.60	1.17	580	1400	2	HP2032	
	112	1625	15.66	1.09	620	1400	2	HP2032	
107	1702	16.41	3.23	2050	2850	2	HP2062	Available	
98	1843	17.77	1.92	830	1950	2	HP2042	Available	
82	2202	21.23	1.61	930	1950	2	HP2042	Available	
77	2346	22.62	1.51	930	1950	2	HP2042	Available	
76	2390	23.04	2.51	2050	2850	2	HP2062	Available	
68	2681	25.85	1.32	1050	1950	2	HP2042	Available	
64	2826	27.24	2.26	2050	2850	2	HP2062	Available	
63	2878	27.75	1.23	1100	1950	2	HP2042	Available	

All torque values listed in inch-pounds, all overhung load and thrust load values listed in pounds.

The point of application of OHL is considered to be applied at the midpoint of shaft extension.

OHL and thrust ratings cannot be applied simultaneously. Consult the factory for applications with combined OHL and thrust load.

At speeds above 1750 RPM, units may become thermally limited. For extended operation, limit HP to 1750 RPM rating.

For Integral Gearmotors Specify Mounting Type I and motor horsepower (See page J-6). For Motorized Reducers Specify Mounting Type E and Motor Part Number (See Section H)

Selection By Input H.P. @ 1750 RPM

HP	Output Speed	Output Torque	Ratio	Service Factor	Output OHL	Output Thrust	Gear Stages	Model*	Integral Gearmotor
↑ 3 ↓	62	2921	28.16	3.68	3300	3370	2	HP2072	Available
	54	3351	32.31	1.06	1200	1950	2	HP2042	
	53	3407	32.85	1.95	2050	2850	2	HP2062	Available
	52	3522	33.95	2.77	3300	3370	2	HP2072	Available
	51	3486	34.33	1.02	1200	1950	3	HP2043	
	46	3845	37.86	3.46	3300	3370	3	HP2073	Available
	46	3873	38.13	1.73	2050	2850	3	HP2063	Available
	41	4292	42.26	3.10	3300	3370	3	HP2073	Available
	37	4799	47.25	2.77	3300	3370	3	HP2073	Available
	36	4900	48.25	1.43	2050	2850	3	HP2063	Available
	34	5178	50.98	2.57	3300	3370	3	HP2073	Available
	31	5687	55.99	1.28	2050	2850	3	HP2063	Available
	31	5818	57.29	2.29	3300	3370	3	HP2073	Available
	28	6303	62.06	2.11	3300	3370	3	HP2073	Available
	25	7137	70.28	1.86	3300	3370	3	HP2073	Available
	23	7833	77.12	1.70	3300	3370	3	HP2073	Available
	21	8485	83.55	1.57	3300	3370	3	HP2073	Available
	18.5	9609	94.61	1.38	3300	3370	3	HP2073	Available
	16.2	10949	107.81	1.21	3300	3370	3	HP2073	Available
↑ 5 ↓	511	592	3.42	1.44	380	1150	2	HP2032	
	456	663	3.83	1.42	400	1150	2	HP2032	
	436	694	4.02	2.41	2050	2400	2	HP2062	Available
	424	713	4.13	1.79	650	1730	2	HP2042	Available
	407	744	4.30	1.32	410	1150	2	HP2032	
	397	763	4.41	4.01	2750	3100	2	HP2072	Available
	390	775	4.48	2.40	2050	2400	2	HP2062	Available
	361	838	4.85	1.27	420	1150	2	HP2032	
	349	866	5.01	2.22	2050	2400	2	HP2062	Available
	335	902	5.22	1.66	650	1730	2	HP2042	Available
	329	920	5.32	3.80	2750	3100	2	HP2072	Available
	324	935	5.41	2.20	2050	2400	2	HP2062	Available
	319	947	5.48	1.21	430	1150	2	HP2032	
	289	1047	6.06	1.58	650	1730	2	HP2042	Available
	288	1051	6.08	2.05	2050	2400	2	HP2062	Available
	281	1076	6.22	3.44	2750	3100	2	HP2072	Available
	281	1076	6.23	1.12	450	1150	2	HP2032	
	266	1138	6.58	1.98	2050	2850	2	HP2062	Available
	249	1216	7.04	3.17	2830	3370	2	HP2072	Available
	246	1231	7.12	1.00	560	1150	2	HP2032	
	235	1289	7.45	1.98	2050	2850	2	HP2062	Available
	221	1369	7.92	1.40	650	1730	2	HP2042	Available
	209	1445	8.36	2.77	2950	3370	2	HP2072	Available
	206	1468	8.49	1.74	2050	2850	2	HP2062	Available
	185	1636	9.46	1.20	700	1730	2	HP2042	Available
	181	1673	9.68	2.39	2050	2850	2	HP2062	Available
	168	1805	10.44	2.33	2050	2850	2	HP2062	Available
	162	1866	10.80	3.91	3000	3370	2	HP2072	Available
149	2025	11.71	1.75	800	1730	2	HP2042	Available	
149	2029	11.74	2.27	2050	2850	2	HP2062	Available	

All torque values listed in inch-pounds, all overhung load and thrust load values listed in pounds.
 The point of application of OHL is considered to be applied at the midpoint of shaft extension.
 OHL and thrust ratings cannot be applied simultaneously. Consult the factory for applications with combined OHL and thrust load.
 At speeds above 1750 RPM, units may become thermally limited. For extended operation, limit HP to 1750 RPM rating.
 For Integral Gearmotors Specify Mounting Type I and motor horsepower (See page J-6). For Motorized Reducers Specify Mounting Type E and Motor Part Number (See Section H)

HUB CITY POWERATIO® 2000 – COMPACT HELICAL PARALLEL DRIVES

Selection By Input H.P. @ 1750 RPM

HP	Output Speed	Output Torque	Ratio	Service Factor	Output OHL	Output Thrust	Gear Stages	Model*	Integral Gearmotor	
5	139	2182	12.62	3.51	3200	3370	2	HP2072	Available	
	138	2198	12.71	2.27	2050	2850	2	HP2062	Available	
	129	2350	13.59	1.51	770	1950	2	HP2042	Available	
	123	2467	14.27	3.24	3100	3370	2	HP2072	Available	
	122	2489	14.40	2.13	2050	2850	2	HP2062	Available	
	107	2836	16.41	1.94	2050	2850	2	HP2062	Available	
	103	2932	16.96	2.90	3200	3370	2	HP2072	Available	
	98	3072	17.77	1.15	830	1950	2	HP2042	Available	
	76	3984	23.04	1.51	2050	2850	2	HP2062	Available	
	73	4118	23.82	2.43	3300	3370	2	HP2072	Available	
	64	4710	27.24	1.35	2050	2850	2	HP2062	Available	
	62	4869	28.16	2.21	3300	3370	2	HP2072	Available	
	53	5678	32.85	1.17	2050	2850	2	HP2062	Available	
	52	5869	33.95	1.66	3300	3370	2	HP2072	Available	
	46	6408	37.86	2.08	3300	3370	3	HP2073	Available	
	46	6455	38.13	1.04	2050	2850	3	HP2063	Available	
	41	7153	42.26	1.86	3300	3370	3	HP2073	Available	
	37	7998	47.25	1.66	3300	3370	3	HP2073	Available	
	34	8629	50.98	1.54	3300	3370	3	HP2073	Available	
	31	9697	57.29	1.37	3300	3370	3	HP2073	Available	
	28	10505	62.06	1.27	3300	3370	3	HP2073	Available	
	25	11896	70.28	1.12	3300	3370	3	HP2073	Available	
	23	13055	77.12	1.02	3300	3370	3	HP2073	Available	
	7-1/2	436	1041	4.02	1.60	2050	2400	2	HP2062	
		424	1070	4.13	1.20	650	1730	2	HP2042	
397		1144	4.41	2.67	2750	3100	2	HP2072		
390		1162	4.48	1.60	2050	2400	2	HP2062		
349		1300	5.01	1.48	2050	2400	2	HP2062		
335		1354	5.22	1.11	650	1730	2	HP2042		
329		1380	5.32	2.54	2750	3100	2	HP2072		
324		1402	5.41	1.47	2050	2400	2	HP2062		
289		1571	6.06	1.05	650	1730	2	HP2042		
288		1576	6.08	1.36	2050	2400	2	HP2062		
281		1614	6.22	2.29	2750	3100	2	HP2072		
266		1707	6.58	1.32	2050	2850	2	HP2062		
249		1824	7.04	2.11	2830	3370	2	HP2072		
235		1933	7.45	1.32	2050	2850	2	HP2062		
209		2168	8.36	1.84	2950	3370	2	HP2072		
206		2203	8.49	1.16	2050	2850	2	HP2062		
181		2510	9.68	1.59	2050	2850	2	HP2062		
168		2708	10.44	1.55	2050	2850	2	HP2062		
162		2799	10.80	2.61	3000	3370	2	HP2072		
149		3037	11.71	1.17	800	1730	2	HP2042		
149		3043	11.74	1.51	2050	2850	2	HP2062		
139		3273	12.62	2.34	3200	3370	2	HP2072		
138		3297	12.71	1.52	2050	2850	2	HP2062		
129		3524	13.59	1.00	770	1950	2	HP2042		
123		3700	14.27	2.16	3100	3370	2	HP2072		

All torque values listed in inch-pounds, all overhung load and thrust load values listed in pounds.
 The point of application of OHL is considered to be applied at the midpoint of shaft extension.
 OHL and thrust ratings cannot be applied simultaneously. Consult the factory for applications with combined OHL and thrust load.
 At speeds above 1750 RPM, units may become thermally limited. For extended operation, limit HP to 1750 RPM rating.
 For Integral Gearmotors Specify Mounting Type I and motor horsepower (See page J-6). For Motorized Reducers Specify Mounting Type E and Motor Part Number (See Section H)



Selection By Input H.P. @ 1750 RPM

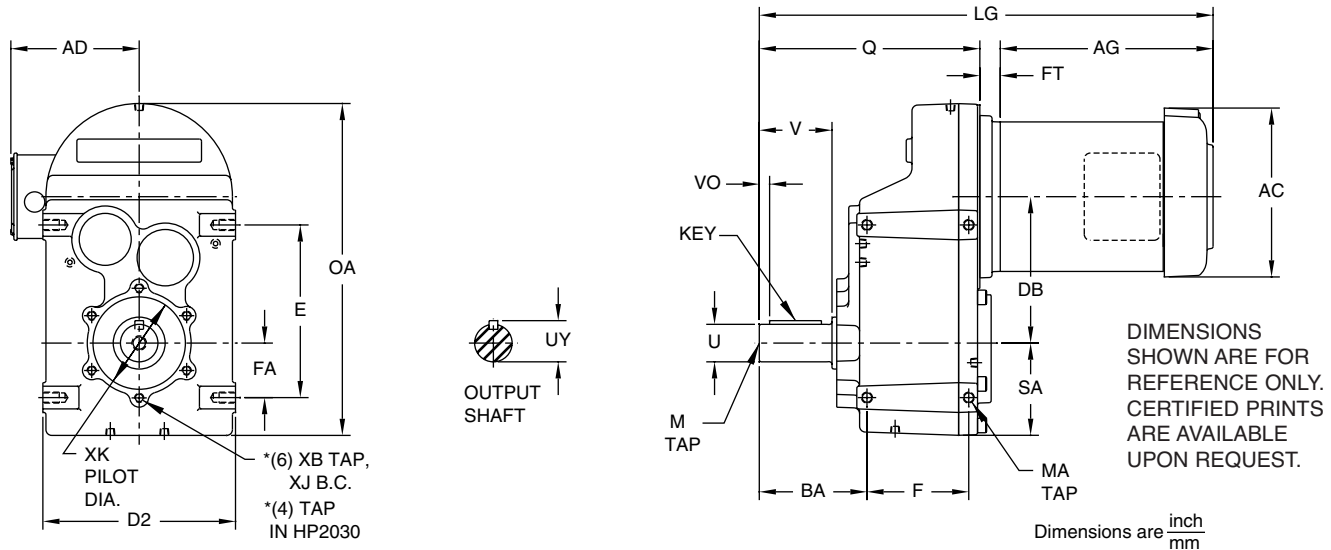
HP	Output Speed	Output Torque	Ratio	Service Factor	Output OHL	Output Thrust	Gear Stages	Model*	Integral Gearmotor	
7-1/2	↑	122	3733	14.40	1.42	2050	2850	2	HP2062	
		107	4254	16.41	1.29	2050	2850	2	HP2062	
		103	4397	16.96	1.93	3200	3370	2	HP2072	
		76	5976	23.04	1.00	2050	2850	2	HP2062	
		73	6177	23.82	1.62	3300	3370	2	HP2072	
		62	7303	28.16	1.47	3300	3370	2	HP2072	
		52	8804	33.95	1.11	3300	3370	2	HP2072	
		46	9612	37.86	1.38	3300	3370	3	HP2073	
		41	10729	42.26	1.24	3300	3370	3	HP2073	
		37	11998	47.25	1.11	3300	3370	3	HP2073	
		34	12944	50.98	1.03	3300	3370	3	HP2073	
		↓								
10	↑	436	1388	4.02	1.20	2050	2400	2	HP2062	
		397	1525	4.41	2.01	2750	3100	2	HP2072	
		390	1550	4.48	1.20	2050	2400	2	HP2062	
		349	1733	5.01	1.11	2050	2400	2	HP2062	
		329	1840	5.32	1.90	2750	3100	2	HP2072	
		324	1870	5.41	1.10	2050	2400	2	HP2062	
		288	2101	6.08	1.02	2050	2400	2	HP2062	
		281	2152	6.22	1.72	2750	3100	2	HP2072	
		249	2432	7.04	1.58	2830	3370	2	HP2072	
		209	2891	8.36	1.38	2950	3370	2	HP2072	
		181	3347	9.68	1.20	2050	2850	2	HP2062	
		168	3611	10.44	1.16	2050	2850	2	HP2062	
		162	3733	10.80	1.96	3000	3370	2	HP2072	
		149	4058	11.74	1.13	2050	2850	2	HP2062	
		139	4365	12.62	1.75	3200	3370	2	HP2072	
		138	4396	12.71	1.14	2050	2850	2	HP2062	
		123	4933	14.27	1.62	3100	3370	2	HP2072	
		122	4978	14.40	1.06	2050	2850	2	HP2062	
		103	5863	16.96	1.45	3200	3370	2	HP2072	
		73	8236	23.82	1.21	3300	3370	2	HP2072	
		62	9737	28.16	1.10	3300	3370	2	HP2072	
		46	12816	37.86	1.04	3300	3370	3	HP2073	
		↓								
	15	↑	397	2288	4.41	1.34	2750	3100	2	HP2072
		329	2760	5.32	1.27	2750	3100	2	HP2072	
		281	3228	6.22	1.15	2750	3100	2	HP2072	
		249	3649	7.04	1.06	2830	3370	2	HP2072	
		162	5599	10.80	1.30	3000	3370	2	HP2072	
		139	6547	12.62	1.17	3200	3370	2	HP2072	
		123	7400	14.27	1.08	3100	3370	2	HP2072	
		↓								

Selection

All torque values listed in inch-pounds, all overhung load and thrust load values listed in pounds.
 The point of application of OHL is considered to be applied at the midpoint of shaft extension.
 OHL and thrust ratings cannot be applied simultaneously. Consult the factory for applications with combined OHL and thrust load.
 At speeds above 1750 RPM, units may become thermally limited. For extended operation, limit HP to 1750 RPM rating.
 For Integral Gearmotors Specify Mounting Type I and motor horsepower (See page J-6). For Motorized Reducers Specify Mounting Type E and Motor Part Number (See Section H)

HUB CITY POWERATIO® 2000 – COMPACT HELICAL PARALLEL DRIVES

Integral Double & Triple Reduction



Gearcase

Model	BA	D2	DB	E	F	FA	MA	OA	Q	SA
HP203*IA	2.85	6.50	4.56	4.53	3.03	1.22	M8x1.25 x .47	10.55	6.46	3.10
	72.4	165	115.8	115	77	31	M8x1.25 x 12	268	164	79
HP204*IA	3.58	7.09	5.33	5.71	3.66	1.69	M10x1.5 x .59	12.22	7.87	3.45
	91	180	135.4	145	93	43	M10x1.5 x 15	310	200	88
HP206*IA	4.67	8.35	6.34	7.48	4.41	2.36	M12x1.75 x .71	14.37	9.56	4.00
	118.5	212	161.1	190	112	60	M12x1.75 x 18	365	243	101
HP207*IA	5.41	10.63	7.71	9.45	5.51	2.76	M16x2.0 x 1.02	17.82	11.59	4.94
	137.5	270	195.8	240	140	70	M16x2.0 x 26	453	294	125

Gearcase

Model	XB	XJ	XK
HP203*IA	M8x1.25 x .63	3.875	3.1255 ⁺⁰ _{-.002}
	M8x1.25 x 16.0	98.43	79.388 ⁺⁰ _{+.051}
HP204*IA	M8x1.25 x .63	3.875	3.2288 ⁺⁰ _{+.002}
	M8x1.25 x 16.0	98.43	82.012 ⁺⁰ _{+.051}
HP206*IA	M10x1.5 x .66	4.750	4.0020 ⁺⁰ _{+.002}
	M10x1.5 x 16.7	120.65	101.651 ⁺⁰ _{+.051}
HP207*IA	M12x1.75 x .95	5.375	4.3310 ⁺⁰ _{+.002}
	M12x1.75 x 24.1	136.53	110.007 ⁺⁰ _{+.051}

Output Shaft

U	UY	V	VO	KEY	M
1.000 ⁺⁰ _{-.001}	1.10	1.97	0.29	1/4 x 1/4 x 1-5/16	3/8 - 16 x 0.88
1.250 ⁺⁰ _{-.001}	1.36	2.36	0.29	1/4 x 1/4 x 1-11/16	1/2 - 13 x 1.13
1.625 ⁺⁰ _{-.001}	1.78	3.15	0.45	3/8 x 3/8 x 2-1/4	5/8 - 11 x 1.38
2.000 ⁺⁰ _{-.001}	2.21	3.94	0.64	1/2 x 1/2 x 2-5/8	3/4 - 10 x 1.61

Motor

Model	MOTOR HP	AC	AD	AG	FT	LG	Model	MOTOR HP	AC	AD	AG	FT	LG
HP203*IA	0.25	6.38	4.58	6.99	0.71	14.16	HP206*IA	0.25	6.38	4.58	6.99	0.71	17.26
	0.33	6.38	4.58	7.24	0.71	14.41		0.33	6.38	4.58	7.24	0.71	17.51
	0.50	6.38	4.58	7.74	0.71	14.91		0.50	6.38	4.58	7.74	0.71	18.01
	0.75	6.38	4.58	8.24	0.71	15.41		0.75	6.38	4.58	8.24	0.71	18.51
	1.00	7.68	5.56	9.22	0.88	16.56		1.00	7.68	5.56	9.22	0.88	19.66
	1.50	7.68	5.56	9.22	0.88	16.56		1.50	7.68	5.56	9.22	0.88	19.66
	2.00	7.68	5.56	10.72	0.88	18.06		2.00	7.68	5.56	10.72	0.88	21.16
HP204*IA	0.25	6.38	4.58	6.99	0.55	15.41	HP207*IA	0.25	6.38	4.58	6.99	0.39	18.97
	0.33	6.38	4.58	7.24	0.55	15.66		0.33	6.38	4.58	7.24	0.39	19.22
	0.50	6.38	4.58	7.74	0.55	16.16		0.50	6.38	4.58	7.74	0.39	19.72
	0.75	6.38	4.58	8.24	0.55	16.66		0.75	6.38	4.58	8.24	0.39	20.22
	1.00	7.68	5.56	9.22	0.73	17.82		1.00	7.68	5.56	9.22	0.57	21.38
	1.50	7.68	5.56	9.22	0.73	17.82		1.50	7.68	5.56	9.22	0.57	21.38
	2.00	7.68	5.56	10.72	0.73	19.32		2.00	7.68	5.56	10.72	0.57	22.88
	3.00	9.78	7.19	10.07	1.78	19.72		3.00	9.78	7.19	10.07	1.63	23.29
	5.00	9.78	7.19	11.57	1.78	21.22		5.00	9.78	7.19	11.57	1.63	24.79

* Specify "2" for double reduction or "3" for triple reduction

Dimensions subject to change without notice



For safety and to comply with local and national safety codes, the purchaser or user must provide protective guards over all shaft extensions and devices mounted thereon.

J-22

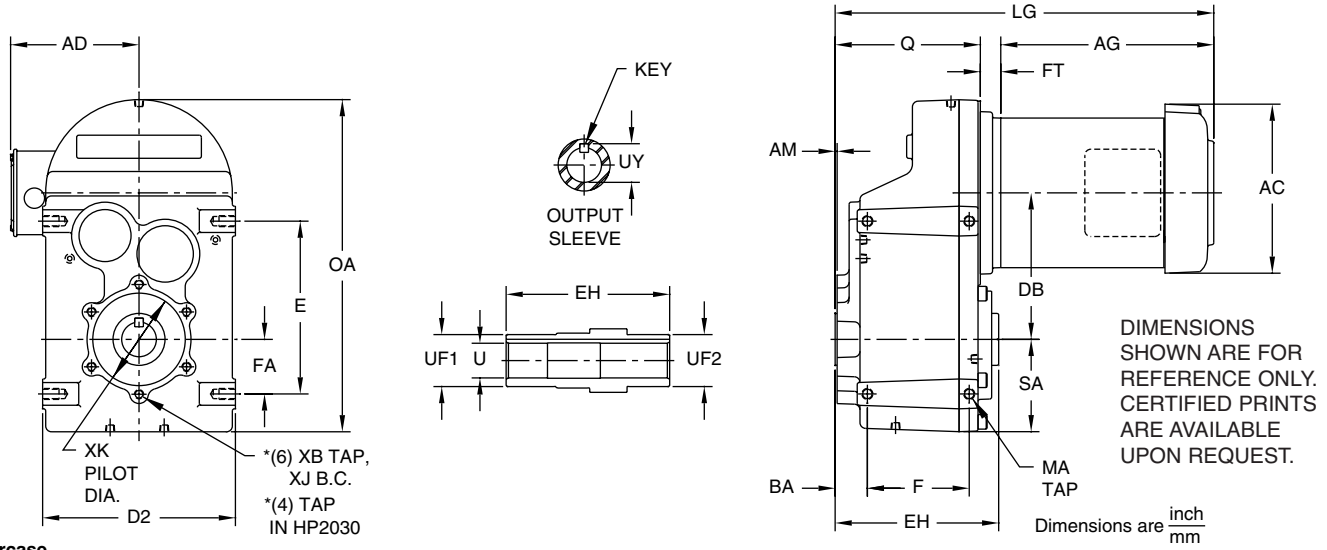
CALL: (605) 225-0360



FAX: (605) 225-0567

VISIT OUR WEB SITE AT WWW.CLARKTR.COM

Integral Double & Triple Reduction



Gearcase

Model	AM	BA	D2	DB	E	F	FA	MA	OA	Q	SA
HP203*IS	.10	0.89	6.50	4.56	4.53	3.03	1.22	M8x1.25 x .47	10.55	4.50	3.10
	2.5	22.6	165	115.8	115	77	31	M8x1.25 x 12	268	114	79
HP204*IS	.10	1.22	7.09	5.33	5.71	3.66	1.69	M10x1.5 x .59	12.22	5.51	3.45
	2.6	31	180	135.4	145	93	43	M10x1.5 x 15	310	140	88
HP206*IS	.09	1.40	8.35	6.34	7.48	4.41	2.36	M12x1.75 x .71	14.37	6.29	4.00
	2.2	35.5	212	161.1	190	112	60	M12x1.75 x 18	365	160	101
HP207*IS	.16	1.44	10.63	7.71	9.45	5.51	2.76	M16x2.0 x 1.02	17.82	7.62	4.94
	4.0	36.6	270	195.8	240	140	70	M16x2.0 x 26	453	193	125

Gearcase

Model	XB	XJ	XK
HP203*IS	M8x1.25 x .63	3.875	3.1255 ⁰ _{+0.002}
	M8x1.25 x 16.0	98.43	79.388 ⁰ _{+0.051}
HP204*IS	M8x1.25 x .63	3.875	3.2288 ⁰ _{+0.002}
	M8x1.25 x 16.0	98.43	82.012 ⁰ _{+0.051}
HP206*IS	M10x1.5 x .66	4.750	4.0020 ⁰ _{+0.002}
	M10x1.5 x 16.7	120.65	101.651 ⁰ _{+0.051}
HP207*IS	M12x1.75 x .95	5.375	4.3310 ⁰ _{+0.002}
	M12x1.75 x 24.1	136.53	110.007 ⁰ _{+0.051}

Output Sleeve

EH	U	UF1	UF2	UY	KEY
4.72	1.250 ^{+0.0025} ₀	1.77	1.75	1.37	(2) 1/4 x 1/4 x 1-11/16
-	-	-	-	-	-
5.91	1.375 ^{+0.0025} ₀	1.97	1.94	1.52	(2) 5/16 x 5/16 x 1-3/4
-	-	-	-	-	-
7.08	1.500 ^{+0.0025} ₀	2.25	2.25	1.67	(2) 3/8 x 3/8 x 2-1/4
-	-	-	-	-	-
8.27	2.000 ^{+0.0025} ₀	2.75	2.75	2.23	(2) 1/2 x 1/2 x 2-5/8
-	-	-	-	-	-

Motor

Model	MOTOR HP	AC	AD	AG	FT	LG	Model	MOTOR HP	AC	AD	AG	FT	LG
HP203*IS	0.25	6.38	4.58	6.99	0.71	12.20	HP206*IS	0.25	6.38	4.58	6.99	0.71	13.99
	0.33	6.38	4.58	7.24	0.71	12.45		0.33	6.38	4.58	7.24	0.71	14.24
	0.50	6.38	4.58	7.74	0.71	12.95		0.50	6.38	4.58	7.74	0.71	14.74
	0.75	6.38	4.58	8.24	0.71	13.45		0.75	6.38	4.58	8.24	0.71	15.24
	1.00	7.68	5.56	9.22	0.88	14.60		1.00	7.68	5.56	9.22	0.88	16.39
	1.50	7.68	5.56	9.22	0.88	14.60		1.50	7.68	5.56	9.22	0.88	16.39
	2.00	7.68	5.56	10.72	0.88	16.10		2.00	7.68	5.56	10.72	0.88	17.89
HP204*IS	0.25	6.38	4.58	6.99	0.55	13.05	HP207*IS	0.25	6.38	4.58	6.99	0.39	15.00
	0.33	6.38	4.58	7.24	0.55	13.30		0.33	6.38	4.58	7.24	0.39	15.25
	0.50	6.38	4.58	7.74	0.55	13.80		0.50	6.38	4.58	7.74	0.39	15.75
	0.75	6.38	4.58	8.24	0.55	14.30		0.75	6.38	4.58	8.24	0.39	16.25
	1.00	7.68	5.56	9.22	0.73	15.46		1.00	7.68	5.56	9.22	0.57	17.41
	1.50	7.68	5.56	9.22	0.73	15.46		1.50	7.68	5.56	9.22	0.57	17.41
	2.00	7.68	5.56	10.72	0.73	16.96		2.00	7.68	5.56	10.72	0.57	18.91
	3.00	9.78	7.19	10.07	1.78	17.36		3.00	9.78	7.19	10.07	1.63	19.32
5.00	9.78	7.19	11.57	1.78	18.86	5.00	9.78	7.19	11.57	1.63	20.82		

* Specify "2" for double reduction or "3" for triple reduction

Dimensions subject to change without notice



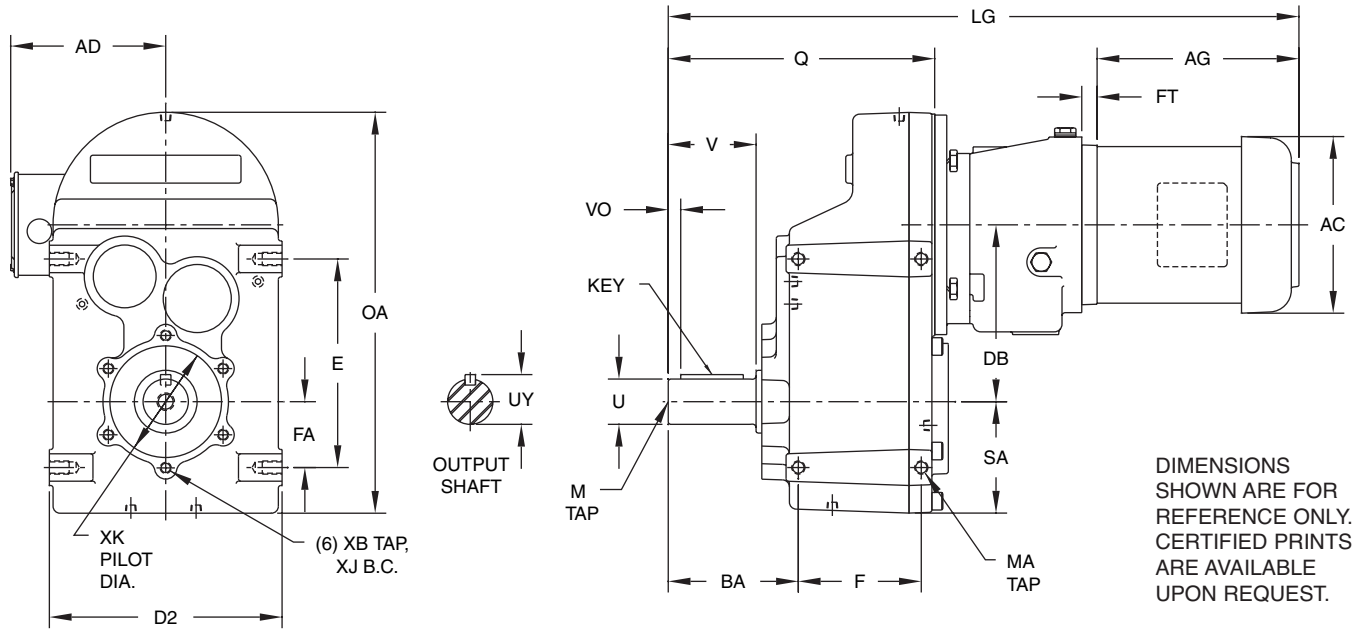
For safety and to comply with local and national safety codes, the purchaser or user must provide protective guards over all shaft extensions and devices mounted thereon.

Gearmotor Dimensions



HUB CITY POWERATIO® 2000 – COMPACT HELICAL PARALLEL DRIVES

Integral Quin Reduction



DIMENSIONS SHOWN ARE FOR REFERENCE ONLY. CERTIFIED PRINTS ARE AVAILABLE UPON REQUEST.

Dimensions are $\frac{\text{inch}}{\text{mm}}$

Gearcase

Model	BA	D2	DB	E	F	FA	MA	OA	Q	SA
HP2065IA	4.67	8.35	6.34	7.48	4.41	2.36	M12x1.75 x .71	14.37	9.56	4.00
	118.5	212	161.1	190	112	60	M12x1.75 x 18	365	243	101
HP2075IA	5.41	10.63	7.71	9.45	5.51	2.76	M16x2.0 x 1.02	17.82	11.59	4.94
	137.5	270	195.8	240	140	70	M16x2.0 x 26	453	294	125

Gearcase

Model	XB	XJ	XK
HP2065IA	M10x1.5 x .66	4.750	4.0020 ⁻⁰ _{+0.002}
	M10x1.5 x 16.7	120.65	101.651 ⁻⁰ _{+0.051}
HP2075IA	M12x1.75 x .95	5.375	4.3310 ⁻⁰ _{+0.002}
	M12x1.75 x 24.1	136.53	110.007 ⁻⁰ _{+0.051}

Output Shaft

U	UY	V	VO	KEY	M
1.625 ⁺⁰ _{-.001}	1.78	3.15	0.45	3/8 x 3/8 x 2-1/4	5/8 - 11 x 1.38
-	-	-	-	-	-
2.000 ⁺⁰ _{-.001}	2.21	3.94	0.64	1/2 x 1/2 x 2-5/8	3/4 - 10 x 1.61
-	-	-	-	-	-

Motor

Model	MOTOR HP	AC	AD	AG	FT	LG
HP2065IA	0.25	6.38	4.58	6.99	0.55	22.42
	0.33	6.38	4.58	7.24	0.55	22.67
	0.50	6.38	4.58	7.74	0.55	23.17
	0.75	6.38	4.58	8.24	0.55	23.69
HP2075IA	0.25	6.38	4.58	6.99	0.71	24.93
	0.33	6.38	4.58	7.24	0.71	25.18
	0.50	6.38	4.58	7.74	0.71	25.68
	0.75	6.38	4.58	8.24	0.71	26.18
	1.00	7.68	5.56	9.22	0.88	27.34

Dimensions subject to change without notice



For safety and to comply with local and national safety codes, the purchaser or user must provide protective guards over all shaft extensions and devices mounted thereon.

J-24

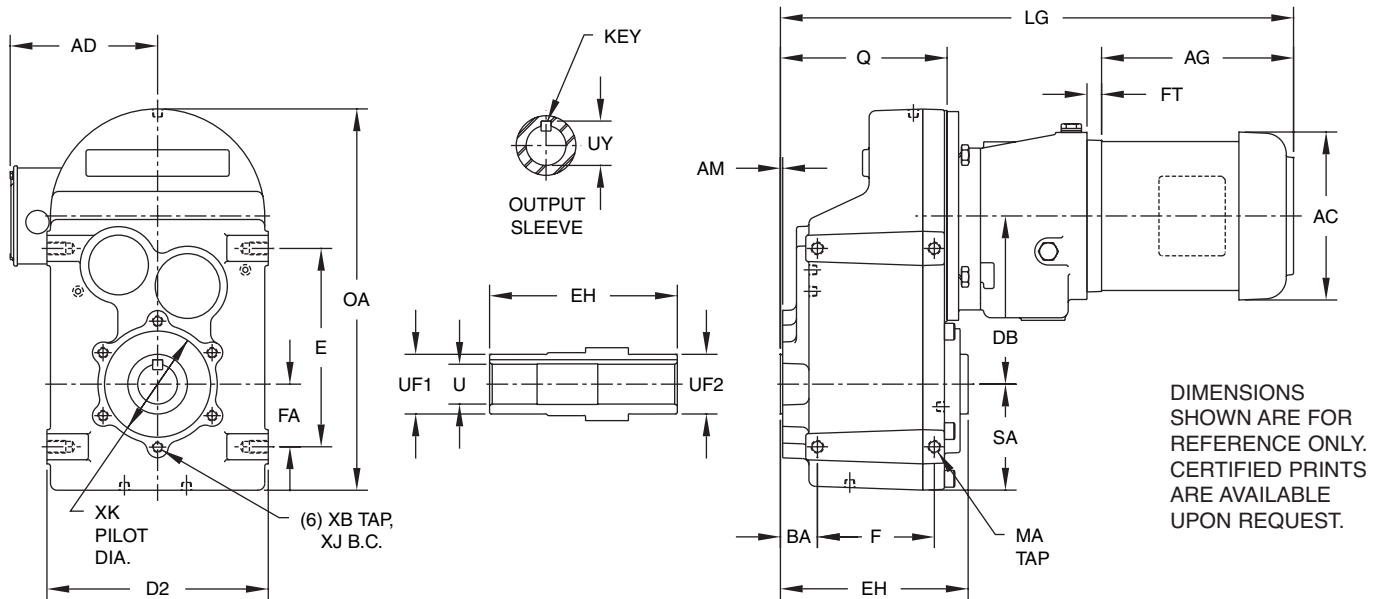
CALL: (605) 225-0360



FAX: (605) 225-0567

VISIT OUR WEB SITE AT WWW.CLARKTR.COM

Integral Quin Reduction



DIMENSIONS SHOWN ARE FOR REFERENCE ONLY. CERTIFIED PRINTS ARE AVAILABLE UPON REQUEST.

Dimensions are $\frac{\text{inch}}{\text{mm}}$

Gearcase

Model	AM	BA	D2	DB	E	F	FA	MA	OA	Q	SA
HP2065IS	.09	1.40	8.35	6.34	7.48	4.41	2.36	M12x1.75 x .71	14.37	6.29	4.00
	2.2	35.5	212	161.1	190	112	60	M12x1.75 x 18	365	160	101
HP2075IS	.16	1.44	10.63	7.71	9.45	5.51	2.76	M16x2.0 x 1.02	17.82	7.62	4.94
	4.0	36.6	270	195.8	240	140	70	M16x2.0 x 26	453	193	125

Gearcase

Model	XB	XJ	XK
HP2065IS	M10x1.5 x .66	4.750	4.0020 $_{+.002}^0$
	M10x1.5 x 16.7	120.65	101.651 $_{+.051}^0$
HP2075IS	M12x1.75 x .95	5.375	4.3310 $_{+.002}^0$
	M12x1.75 x 24.1	136.53	110.007 $_{+.051}^0$

Output Sleeve

EH	U	UF1	UF2	UY	KEY
7.08	1.500 $_{-0}^{+.0025}$	2.25	2.25	1.67	(2) 3/8 x 3/8 x 2-1/4
-	-	-	-	-	-
8.27	2.000 $_{-0}^{+.0025}$	2.75	2.75	2.23	(2) 1/2 x 1/2 x 2-5/8
-	-	-	-	-	-

Motor

Model	MOTOR HP	AC	AD	AG	FT	LG
HP2065IS	0.25	6.38	4.58	6.99	0.55	19.15
	0.33	6.38	4.58	7.24	0.55	19.40
	0.50	6.38	4.58	7.74	0.55	19.90
	0.75	6.38	4.58	8.24	0.55	20.40
HP2075IS	0.25	6.38	4.58	6.99	0.71	20.96
	0.33	6.38	4.58	7.24	0.71	21.21
	0.50	6.38	4.58	7.74	0.71	21.71
	0.75	6.38	4.58	8.24	0.71	22.21
	1.00	7.68	5.56	9.22	0.88	23.37

Dimensions subject to change without notice



For safety and to comply with local and national safety codes, the purchaser or user must provide protective guards over all shaft extensions and devices mounted thereon.



HUB CITY POWERATIO® 2000 – COMPACT HELICAL PARALLEL DRIVES

Ratings @ 1750 RPM Input 1.00 Service Factor

HP2032						
Exact Ratio	Output RPM	Input H.P.	Output Torque	Output OHL	Input OHL	Output Thrust
3.42	511	7.18	850	380	105	1150
3.83	456	7.09	940	400	105	1150
4.30	407	6.59	980	410	105	1150
4.85	361	6.33	1060	420	105	1150
5.48	319	6.07	1150	430	105	1150
6.23	281	5.58	1200	450	105	1150
7.12	246	5.00	1230	560	105	1150
7.64	229	4.73	1250	580	105	1150
9.93	176	4.37	1500	525	105	1400
11.23	156	4.25	1650	530	105	1400
12.76	137	3.97	1750	550	105	1400
14.60	120	3.51	1770	580	105	1400
15.66	112	3.27	1770	620	105	1400
19.09	92	2.68	1770	680	105	1400
23.80	74	2.15	1770	760	105	1400
28.70	61	1.78	1770	850	105	1400
32.99	53	1.55	1770	900	105	1400
HP2033						
34.29	51	1.52	1770	960	105	1400
39.63	44.2	1.32	1770	960	105	1400
42.79	40.9	1.22	1770	960	105	1400
60.16	29.1	0.87	1770	960	105	1400
69.52	25.2	0.75	1770	960	105	1400
75.07	23.3	0.70	1770	960	105	1400
85.34	20.5	0.61	1770	960	105	1400
92.16	19.0	0.57	1770	960	105	1400
101.94	17.2	0.51	1770	960	105	1400
117.80	14.9	0.44	1770	960	105	1400
127.21	13.8	0.41	1770	960	105	1400

All torque values listed in inch-pounds, all overhung load and thrust load values listed in pounds.
 The point of application of OHL is considered to be applied at the midpoint of shaft extension. Input OHL applies only to shaft input models.
 OHL and thrust ratings cannot be applied simultaneously. Consult the factory for applications with combined OHL and thrust load.
 At speeds above 1750 RPM, units may become thermally limited. For extended operation, limit HP to 1750 RPM rating.

Ratings @ 1750 RPM Input 1.00 Service Factor

HP2042						
Exact Ratio	Output RPM	Input H.P.	Output Torque	Output OHL	Input OHL	Output Thrust
4.13	424	8.97	1280	650	140	1730
5.22	335	8.31	1500	650	140	1730
6.06	289	7.88	1650	650	140	1730
7.92	221	7.01	1920	650	140	1730
9.46	185	6.02	1970	700	140	1730
11.71	149	8.74	3540	800	140	1730
13.59	129	7.53	3540	770	140	1950
17.77	98	5.76	3540	830	140	1950
21.23	82	4.82	3540	930	140	1950
22.62	77	4.53	3540	930	140	1950
25.85	68	3.96	3540	1050	140	1950
27.75	63	3.69	3540	1100	140	1950
32.31	54	3.17	3540	1200	140	1950
HP2043						
34.33	51	3.05	3540	1200	140	1950
38.45	45.5	2.72	3540	1250	140	1950
43.15	40.6	2.42	3540	1250	140	1950
48.59	36.0	2.15	3540	1250	140	1950
54.92	31.9	1.90	3540	1250	140	1950
62.41	28.0	1.68	3540	1250	140	1950
68.53	25.5	1.53	3540	1250	140	1950
71.40	24.5	1.46	3540	1250	140	1950
78.40	22.3	1.33	3540	1250	140	1950
84.11	20.8	1.24	3540	1250	140	1950
102.52	17.1	1.02	3540	1250	140	1950
127.79	13.7	0.82	3540	1250	140	1950
154.12	11.4	0.68	3540	1250	140	1950
177.15	9.9	0.59	3540	1250	140	1950

Reducer Ratings

All torque values listed in inch-pounds, all overhung load and thrust load values listed in pounds.
 The point of application of OHL is considered to be applied at the midpoint of shaft extension. Input OHL applies only to shaft input models.
 OHL and thrust ratings cannot be applied simultaneously. Consult the factory for applications with combined OHL and thrust load.
 At speeds above 1750 RPM, units may become thermally limited. For extended operation, limit HP to 1750 RPM rating.



HUB CITY POWERATIO® 2000 – COMPACT HELICAL PARALLEL DRIVES

Ratings @ 1750 RPM Input 1.00 Service Factor

HP2062						
Exact Ratio	Output RPM	Input H.P.	Output Torque	Output OHL	Input OHL	Output Thrust
4.02	436	12.03	1670	2050	200	2400
4.48	390	12.00	1860	2050	200	2400
5.01	349	11.08	1920	2050	200	2400
5.41	324	11.02	2060	2050	200	2400
6.08	288	10.23	2150	2050	200	2400
6.58	266	9.89	2250	2050	200	2850
7.45	235	9.89	2550	2050	200	2850
8.49	206	8.68	2550	2050	200	2850
9.68	181	11.95	4000	2050	200	2850
10.44	168	11.63	4200	2050	200	2850
1.74	149	11.34	4600	2050	200	2850
12.71	138	11.37	5000	2050	200	2850
14.40	122	10.65	5300	2050	200	2850
16.41	107	9.68	5490	2050	200	2850
23.04	76	7.53	6000	2050	200	2850
27.24	64	6.77	6380	2050	200	2850
32.85	53	5.86	6650	2050	200	2850
HP2063						
38.13	45.9	5.19	6700	2050	200	2850
48.25	36.3	4.29	7000	2050	200	2850
55.99	31.3	3.83	7260	2050	200	2850
73.21	23.9	2.93	7260	2050	200	2850
87.47	20.0	2.45	7260	2050	200	2850
93.17	18.8	2.30	7260	2050	200	2850
106.48	16.4	2.01	7260	2050	200	2850
112.47	15.6	1.91	7260	2050	200	2850
119.81	14.6	1.79	7260	2050	200	2850
136.92	12.8	1.57	7260	2050	200	2850
146.99	11.9	1.46	7260	2050	200	2850
171.15	10.2	1.25	7260	2050	200	2850
185.82	9.42	1.15	7260	2050	200	2850
202.75	8.63	1.06	7260	2050	200	2850
222.50	7.87	0.96	7260	2050	200	2850
HP2065						
275.81	6.3	0.81	7260	2050	140	2850
354.30	4.9	0.63	7260	2050	140	2850
424.65	4.1	0.53	7260	2050	140	2850
537.33	3.3	0.42	7260	2050	140	2850
634.64	2.8	0.35	7260	2050	140	2850
807.73	2.2	0.28	7260	2050	140	2850
974.07	1.8	0.23	7260	2050	140	2850
1187.01	1.5	0.19	7260	2050	140	2850
1482.28	1.2	0.15	7260	2050	140	2850
1841	1.0	0.12	7260	2050	140	2850
2333	0.7	0.10	7260	2050	140	2850
2863	0.6	0.08	7260	2050	140	2850
3333	0.5	0.07	7260	2050	140	2850

All torque values listed in inch-pounds, all overhung load and thrust load values listed in pounds.

The point of application of OHL is considered to be applied at the midpoint of shaft extension. Input OHL applies only to shaft input models.

OHL and thrust ratings cannot be applied simultaneously. Consult the factory for applications with combined OHL and thrust load.

At speeds above 1750 RPM, units may become thermally limited. For extended operation, limit HP to 1750 RPM rating.

Ratings @1750 RPM Input 1.00 Service Factor

HP2072						
Exact Ratio	Output RPM	Input H.P.	Output Torque	Output OHL	Input OHL	Output Thrust
4.41	397	20.06	3060	2750	385	3100
5.32	329	19.02	3500	2750	385	3100
6.22	281	17.19	3700	2750	385	3100
7.04	249	15.83	3850	2830	385	3370
8.36	209	13.84	4000	2950	385	3370
10.80	162	19.56	7300	3000	385	3370
12.62	139	17.53	7650	3200	385	3370
14.27	123	16.22	8000	3100	385	3370
16.96	103	14.50	8500	3200	385	3370
23.82	73	12.14	10000	3300	385	3370
28.16	62	11.04	10750	3300	385	3370
33.95	52	8.31	9750	3300	385	3370
HP2073						
37.86	46.2	10.38	13300	3300	385	3370
42.26	41.4	9.30	13300	3300	385	3370
47.25	37.0	8.31	13300	3300	385	3370
50.98	34.3	7.71	13300	3300	385	3370
57.29	30.5	6.86	13300	3300	385	3370
62.06	28.2	6.33	13300	3300	385	3370
70.28	24.9	5.59	13300	3300	385	3370
77.12	22.7	5.09	13300	3300	385	3370
83.55	20.9	4.70	13300	3300	385	3370
94.61	18.5	4.15	13300	3300	385	3370
107.81	16.2	3.64	13300	3300	385	3370
151.44	11.6	2.59	13300	3300	385	3370
179.04	9.77	2.19	13300	3300	385	3370
215.84	8.11	1.82	13300	3300	385	3370
267.36	6.55	1.47	13300	3300	385	3370
HP2075						
302.64	5.8	1.36	13300	3300	200	3370
338.43	5.2	1.21	13300	3300	200	3370
444.42	3.9	0.92	13300	3300	200	3370
519.18	3.4	0.79	13300	3300	200	3370
636.89	2.7	0.64	13300	3300	200	3370
805.67	2.2	0.51	13300	3300	200	3370
966.32	1.8	0.42	13300	3300	200	3370
1205.25	1.5	0.34	13300	3300	200	3370
1453.00	1.2	0.28	13300	3300	200	3370
1829	1.0	0.22	13300	3300	200	3370
2205	0.8	0.19	13300	3300	200	3370
2806	0.6	0.15	13300	3300	200	3370
3325	0.5	0.12	13300	3300	200	3370

Reducer Ratings



All torque values listed in inch-pounds, all overhung load and thrust load values listed in pounds.

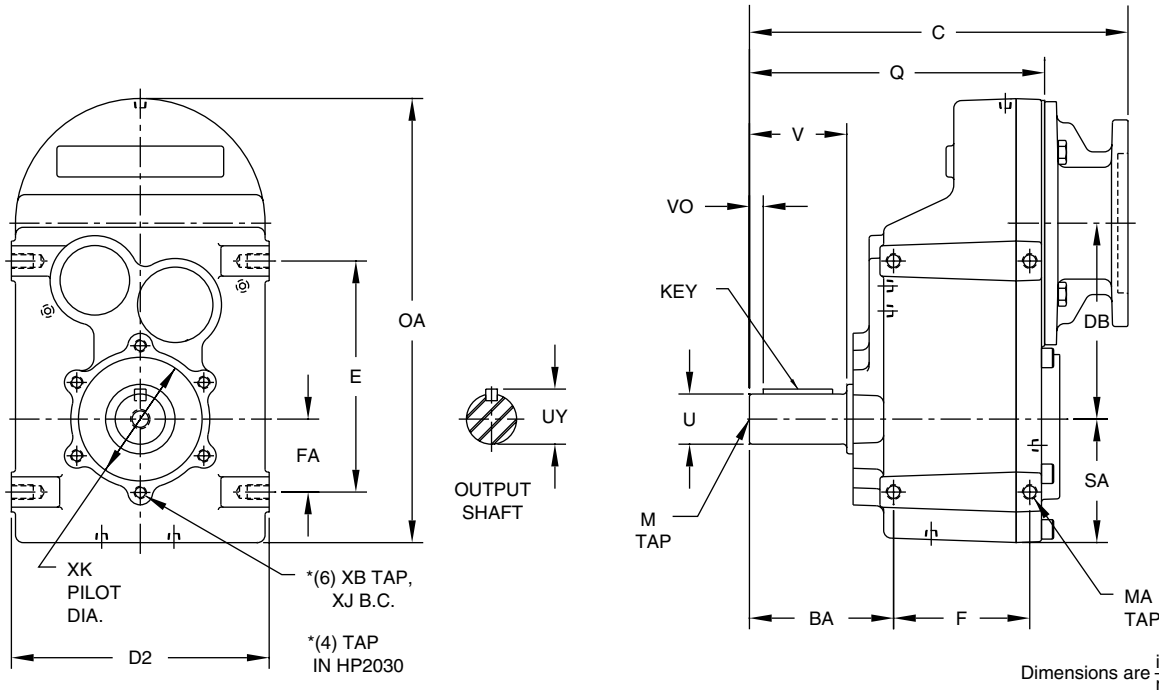
The point of application of OHL is considered to be applied at the midpoint of shaft extension. Input OHL applies only to shaft input models.

OHL and thrust ratings cannot be applied simultaneously. Consult the factory for applications with combined OHL and thrust load.

At speeds above 1750 RPM, units may become thermally limited. For extended operation, limit HP to 1750 RPM rating.

HUB CITY POWERATIO® 2000 – COMPACT HELICAL PARALLEL DRIVES

Double & Triple Reduction



Gearcase

Model	BA	D2	DB	E	F	FA	MA	OA	Q	SA
HP203*EA	2.85	6.50	4.56	4.53	3.03	1.22	M8x1.25 x .47	10.55	6.46	3.10
	72.4	165	115.8	115	77	31	M8x1.25 x 12	268	164	79
HP204*EA	3.58	7.09	5.33	5.71	3.66	1.69	M10x1.5 x .59	12.22	7.87	3.45
	91	180	135.4	145	93	43	M10x1.5 x 15	310	200	88
HP206*EA	4.67	8.35	6.34	7.48	4.41	2.36	M12x1.75 x .71	14.37	9.56	4.00
	118.5	212	161.1	190	112	60	M12x1.75 x 18	365	243	101
HP207*EA	5.41	10.63	7.71	9.45	5.51	2.76	M16x2.0 x 1.02	17.82	11.59	4.94
	137.5	270	195.8	240	140	70	M16x2.0 x 26	453	294	125

Gearcase

Model	XB	XJ	XK
HP203*EA	M8x1.25 x .63	3.875	3.1255 ⁰ _{-.002}
	M8x1.25 x 16.0	98.43	79.388 ⁰ _{-.051}
HP204*EA	M8x1.25 x .63	3.875	3.2288 ⁰ _{+.002}
	M8x1.25 x 16.0	98.43	82.012 ⁰ _{+.051}
HP206*EA	M10x1.5 x .66	4.750	4.0020 ⁰ _{+.002}
	M10x1.5 x 16.7	120.65	101.651 ⁰ _{+.051}
HP207*EA	M12x1.75 x .95	5.375	4.3310 ⁰ _{+.002}
	M12x1.75 x 24.1	136.53	110.007 ⁰ _{+.051}

Output Shaft

U	UY	V	VO	KEY	M
1.000 ⁺⁰ _{-.001}	1.10	1.97	0.29	1/4 x 1/4 x 1-5/16	3/8 - 16 x 0.88
1.250 ⁺⁰ _{-.001}	1.36	2.36	0.29	1/4 x 1/4 x 1-11/16	1/2 - 13 x 1.13
1.625 ⁺⁰ _{-.001}	1.78	3.15	0.45	3/8 x 3/8 x 2-1/4	5/8 - 11 x 1.38
2.000 ⁺⁰ _{-.001}	2.21	3.94	0.64	1/2 x 1/2 x 2-5/8	3/4 - 10 x 1.61

Motor Compatibility - NEMA

Model	C	NEMA				
		56C	143TC	182TC	213TC	215TC
HP203*EA	C	9.26	9.26	-	-	-
		235	235	-	-	-
HP204*EA	C	10.48	10.48	-	-	-
		266	266	-	-	-
HP206*EA	C	12.26	12.26	13.28	-	-
		311	311	337	-	-
HP207*EA	C	14.95	14.95	15.64	15.64	-
		380	380	397	397	-

DIMENSIONS SHOWN ARE FOR REFERENCE ONLY. CERTIFIED PRINTS ARE AVAILABLE UPON REQUEST.

* Specify "2" for double reduction or "3" for triple reduction

Dimensions subject to change without notice



For safety and to comply with local and national safety codes, the purchaser or user must provide protective guards over all shaft extensions and devices mounted thereon.

J-30

CALL: (605) 225-0360

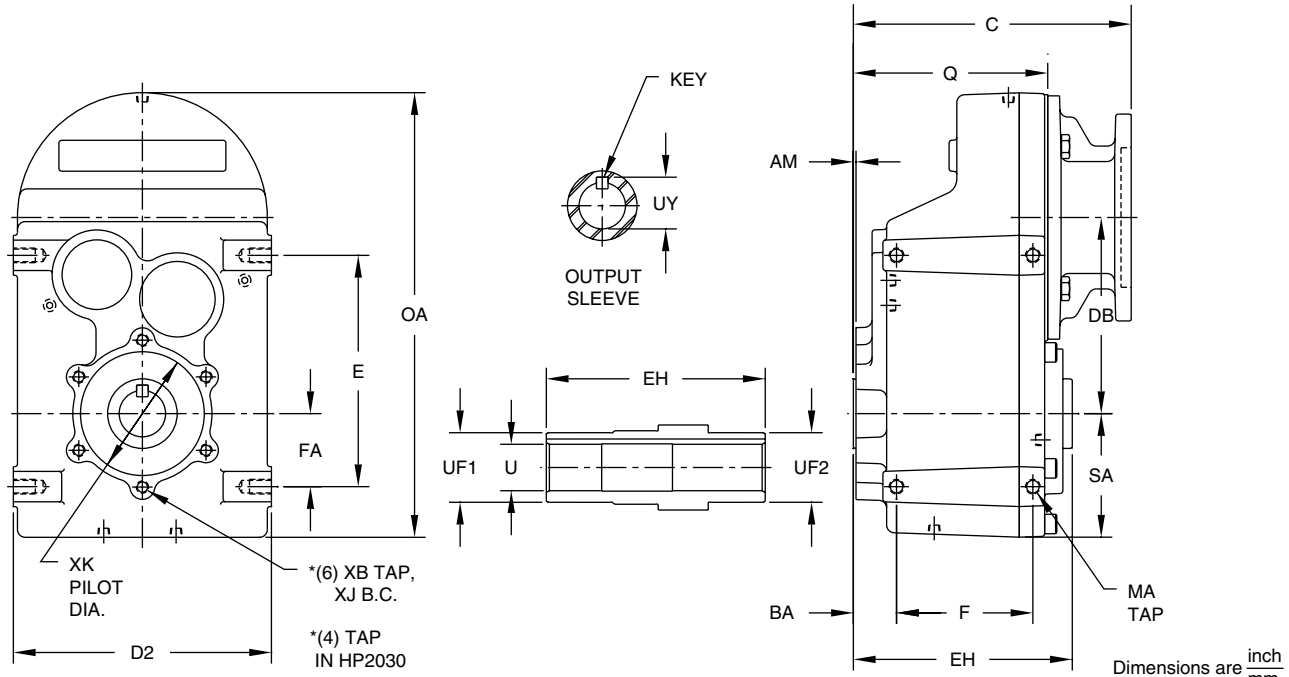


FAX: (605) 225-0567

VISIT OUR WEB SITE AT WWW.CLARKTR.COM

Double & Triple Reduction

Reducer Dimensions



Gearcase

Model	AM	BA	D2	DB	E	F	FA	MA	OA	Q	SA
HP203*ES	.10	0.89	6.50	4.56	4.53	3.03	1.22	M8x1.25 x .47	10.55	4.50	3.10
	2.5	22.6	165	115.8	115	77	31	M8x1.25 x 12	268	114	79
HP204*ES	.10	1.22	7.09	5.33	5.71	3.66	1.69	M10x1.5 x .59	12.22	5.51	3.45
	2.6	31	180	135.4	145	93	43	M10x1.5 x 15	310	140	88
HP206*ES	.09	1.40	8.35	6.34	7.48	4.41	2.36	M12x1.75 x .71	14.37	6.29	4.00
	2.2	35.5	212	161.1	190	112	60	M12x1.75 x 18	365	160	101
HP207*ES	.16	1.44	10.63	7.71	9.45	5.51	2.76	M16x2.0 x 1.02	17.82	7.62	4.94
	4.0	36.6	270	195.8	240	140	70	M16x2.0 x 26	453	193	125

Gearcase

Model	XB	XJ	XK
HP203*ES	M8x1.25 x .63	3.875	3.1255 ⁰ / _{+.002}
	M8x1.25 x 16.0	98.43	79.388 ⁰ / _{+.051}
HP204*ES	M8x1.25 x .63	3.875	3.2288 ⁰ / _{+.002}
	M8x1.25 x 16.0	98.43	82.012 ⁰ / _{+.051}
HP206*ES	M10x1.5 x .66	4.750	4.0020 ⁰ / _{+.002}
	M10x1.5 x 16.7	120.65	101.651 ⁰ / _{+.051}
HP207*ES	M12x1.75 x .95	5.375	4.3310 ⁰ / _{+.002}
	M12x1.75 x 24.1	136.53	110.007 ⁰ / _{+.051}

Output Sleeve

EH	U	UF1	UF2	UY	KEY
4.72	1.250 ^{+.0025} / ₀	1.77	1.75	1.37	(2) 1/4 x 1/4 x 1-11/16
-	-	-	-	-	-
5.91	1.375 ^{+.0025} / ₀	1.97	1.94	1.52	(2) 5/16 x 5/16 x 1-3/4
-	-	-	-	-	-
7.08	1.500 ^{+.0025} / ₀	2.25	2.25	1.67	(2) 3/8 x 3/8 x 2-1/4
-	-	-	-	-	-
8.27	2.000 ^{+.0025} / ₀	2.75	2.75	2.23	(2) 1/2 x 1/2 x 2-5/8
-	-	-	-	-	-

Motor Compatibility - NEMA

Model	NEMA	NEMA				
		56C	143TC	182TC	213TC	215TC
HP203*ES	C	7.30	7.30	-	-	-
		185	185	-	-	-
HP204*ES	C	8.12	8.12	-	-	-
		206	206	-	-	-
HP206*ES	C	8.99	8.99	10.01	-	-
		228	228	254	-	-
HP207*ES	C	10.98	10.98	11.66	11.66	-
		279	279	296	296	-

DIMENSIONS SHOWN ARE FOR REFERENCE ONLY. CERTIFIED PRINTS ARE AVAILABLE UPON REQUEST.

* Specify "2" for double reduction or "3" for triple reduction

Dimensions subject to change without notice



For safety and to comply with local and national safety codes, the purchaser or user must provide protective guards over all shaft extensions and devices mounted thereon.

CALL: (605) 225-0360



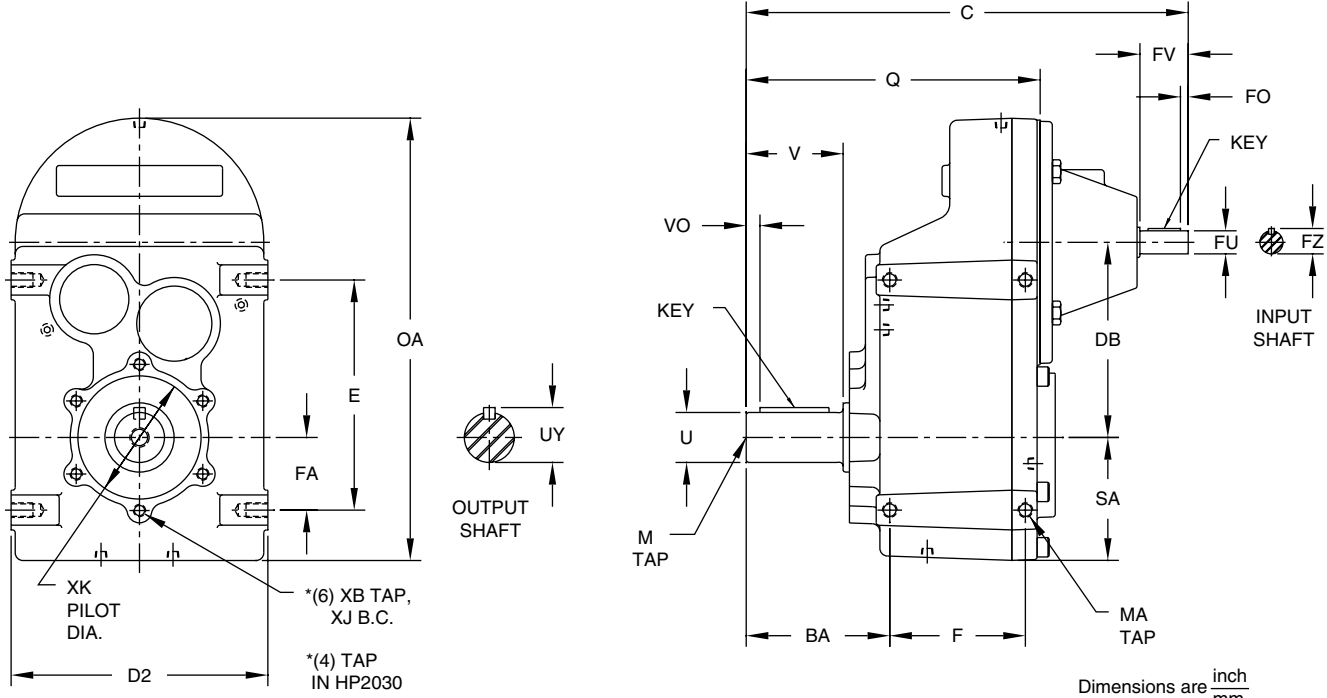
FAX: (605) 225-0567

J-31

VISIT OUR WEB SITE AT WWW.CLARKTR.COM

HUB CITY POWERATIO® 2000 – COMPACT HELICAL PARALLEL DRIVES

Double & Triple Reduction



Gearcase

Model	BA	D2	DB	E	F	FA	MA	OA	Q	SA
HP203 ² AA	2.85	6.50	4.56	4.53	3.03	1.22	M8x1.25 x .47	10.55	6.46	3.10
	72.4	165	115.8	115	77	31	M8x1.25 x 12	268	164	79
HP204 ² AA	3.58	7.09	5.33	5.71	3.66	1.69	M10x1.5 x .59	12.22	7.87	3.45
	91	180	135.4	145	93	43	M10x1.5 x 15	310	200	88
HP206 ² AA	4.67	8.35	6.34	7.48	4.41	2.36	M12x1.75 x .71	14.37	9.56	4.00
	118.5	212	161.1	190	112	60	M12x1.75 x 18	365	243	101
HP207 ² AA	5.41	10.63	7.71	9.45	5.51	2.76	M16x2.0 x 1.02	17.82	11.59	4.94
	137.5	270	195.8	240	140	70	M16x2.0 x 26	453	294	125

Gearcase

Model	XB	XJ	XK
HP203 ² AA	M8x1.25 x .63	3.875	3.1255 ^{-0/+0.002}
	M8x1.25 x 16.0	98.43	79.388 ^{-0/+0.051}
HP204 ² AA	M8x1.25 x .63	3.875	3.2288 ^{-0/+0.002}
	M8x1.25 x 16.0	98.43	82.012 ^{-0/+0.051}
HP206 ² AA	M10x1.5 x .66	4.750	4.0020 ^{-0/+0.002}
	M10x1.5 x 16.7	120.65	101.651 ^{-0/+0.051}
HP207 ² AA	M12x1.75 x .95	5.375	4.3310 ^{-0/+0.002}
	M12x1.75 x 24.1	136.53	110.007 ^{-0/+0.051}

Output Shaft

U	UY	V	VO	KEY	M
1.000 ^{+0/-0.001}	1.10	1.97	0.29	1/4 x 1/4 x 1-5/16	3/8 - 16 x 0.88
1.250 ^{+0/-0.001}	1.36	2.36	0.29	1/4 x 1/4 x 1-11/16	1/2 - 13 x 1.13
1.625 ^{+0/-0.001}	1.78	3.15	0.45	3/8 x 3/8 x 2-1/4	5/8 - 11 x 1.38
2.000 ^{+0/-0.001}	2.21	3.94	0.64	1/2 x 1/2 x 2-5/8	3/4 - 10 x 1.61

Input Shaft

Model	FU	FZ	FV	FO	KEY
HP203 ² AA	0.625 ^{+0/-0.0005}	0.69	1.57	0.25	3/16 x 3/16 x 1-1/16
	-	-	-	-	-
HP204 ² AA	0.750 ^{+0/-0.0005}	0.82	1.57	0.25	3/16 x 3/16 x 1-1/16
	-	-	-	-	-
HP206 ² AA	0.750 ^{+0/-0.0005}	0.82	1.57	0.25	3/16 x 3/16 x 1-1/16
	-	-	-	-	-
HP207 ² AA	0.875 ^{+0/-0.0005}	0.95	1.97	0.28	3/16 x 3/16 x 1-1/4
	-	-	-	-	-

Input/□ Gearcase

C
10.77
274
12.21
310
14.37
365
17.79
452

DIMENSIONS SHOWN ARE FOR REFERENCE ONLY. CERTIFIED PRINTS ARE AVAILABLE UPON REQUEST.

* Specify "2" for double reduction or "3" for triple reduction

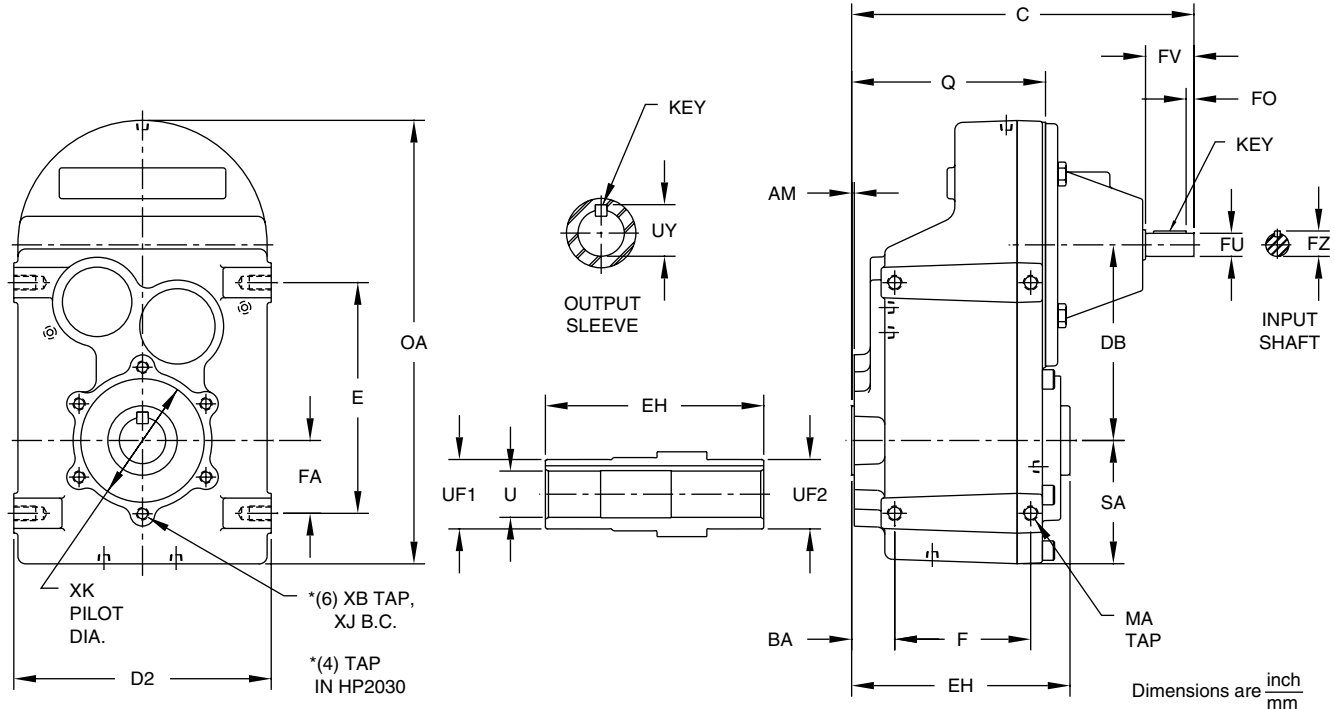
Dimensions subject to change without notice



For safety and to comply with local and national safety codes, the purchaser or user must provide protective guards over all shaft extensions and devices mounted thereon.

Double & Triple Reduction

Reducer Dimensions



Gearcase

Model	AM	BA	D2	DB	E	F	FA	MA	OA	Q	SA
HP203*AS	.10	0.89	6.50	4.56	4.53	3.03	1.22	M8x1.25 x .47	10.55	4.50	3.10
	2.5	22.6	165	115.8	115	77	31	M8x1.25 x 12	268	114	79
HP204*AS	.10	1.22	7.09	5.33	5.71	3.66	1.69	M10x1.5 x .59	12.22	5.51	3.45
	2.6	31	180	135.4	145	93	43	M10x1.5 x 15	310	140	88
HP206*AS	.09	1.40	8.35	6.34	7.48	4.41	2.36	M12x1.75 x .71	14.37	6.29	4.00
	2.2	35.5	212	161.1	190	112	60	M12x1.75 x 18	365	160	101
HP207*AS	.16	1.44	10.63	7.71	9.45	5.51	2.76	M16x2.0 x 1.02	17.82	7.62	4.94
	4.0	36.6	270	195.8	240	140	70	M16x2.0 x 26	453	193	125

Gearcase

Model	XB	XJ	XK
HP203*AS	M8x1.25 x .63	3.875	3.1255 ^{-0/+0.002}
	M8x1.25 x 16.0	98.43	79.388 ^{-0/+0.051}
HP204*AS	M8x1.25 x .63	3.875	3.2288 ^{-0/+0.002}
	M8x1.25 x 16.0	98.43	82.012 ^{-0/+0.051}
HP206*AS	M10x1.5 x .66	4.750	4.0020 ^{-0/+0.002}
	M10x1.5 x 16.7	120.65	101.651 ^{-0/+0.051}
HP207*AS	M12x1.75 x .95	5.375	4.3310 ^{-0/+0.002}
	M12x1.75 x 24.1	136.53	110.007 ^{-0/+0.051}

Output Sleeve

EH	U	UF1	UF2	UY	KEY
4.72	1.250 ^{+0.0025/-0}	1.77	1.75	1.37	(2) 1/4 x 1/4 x 1-11/16
-	-	-	-	-	-
5.91	1.375 ^{+0.0025/-0}	1.97	1.94	1.52	(2) 5/16 x 5/16 x 1-3/4
-	-	-	-	-	-
7.08	1.500 ^{+0.0025/-0}	2.25	2.25	1.67	(2) 3/8 x 3/8 x 2-1/4
-	-	-	-	-	-
8.27	2.000 ^{+0.0025/-0}	2.75	2.75	2.23	(2) 1/2 x 1/2 x 2-5/8
-	-	-	-	-	-

Input Shaft

Model	FU	FZ	FV	FO	KEY
HP203*AS	0.625 ^{+0/-0.0005}	0.69	1.57	0.25	3/16 x 3/16 x 1-1/16
	-	-	-	-	-
HP204*AS	0.750 ^{+0/-0.0005}	0.82	1.57	0.25	3/16 x 3/16 x 1-1/16
	-	-	-	-	-
HP206*AS	0.750 ^{+0/-0.0005}	0.82	1.57	0.25	3/16 x 3/16 x 1-1/16
	-	-	-	-	-
HP207*AS	0.875 ^{+0/-0.0005}	0.95	1.97	0.28	3/16 x 3/16 x 1-1/4
	-	-	-	-	-

Input/□ Gearcase

C
8.81
224
9.85
250
11.10
282
13.81
351

DIMENSIONS SHOWN ARE FOR REFERENCE ONLY. CERTIFIED PRINTS ARE AVAILABLE UPON REQUEST.

* Specify "2" for double reduction or "3" for triple reduction

Dimensions subject to change without notice



For safety and to comply with local and national safety codes, the purchaser or user must provide protective guards over all shaft extensions and devices mounted thereon.

CALL: (605) 225-0360



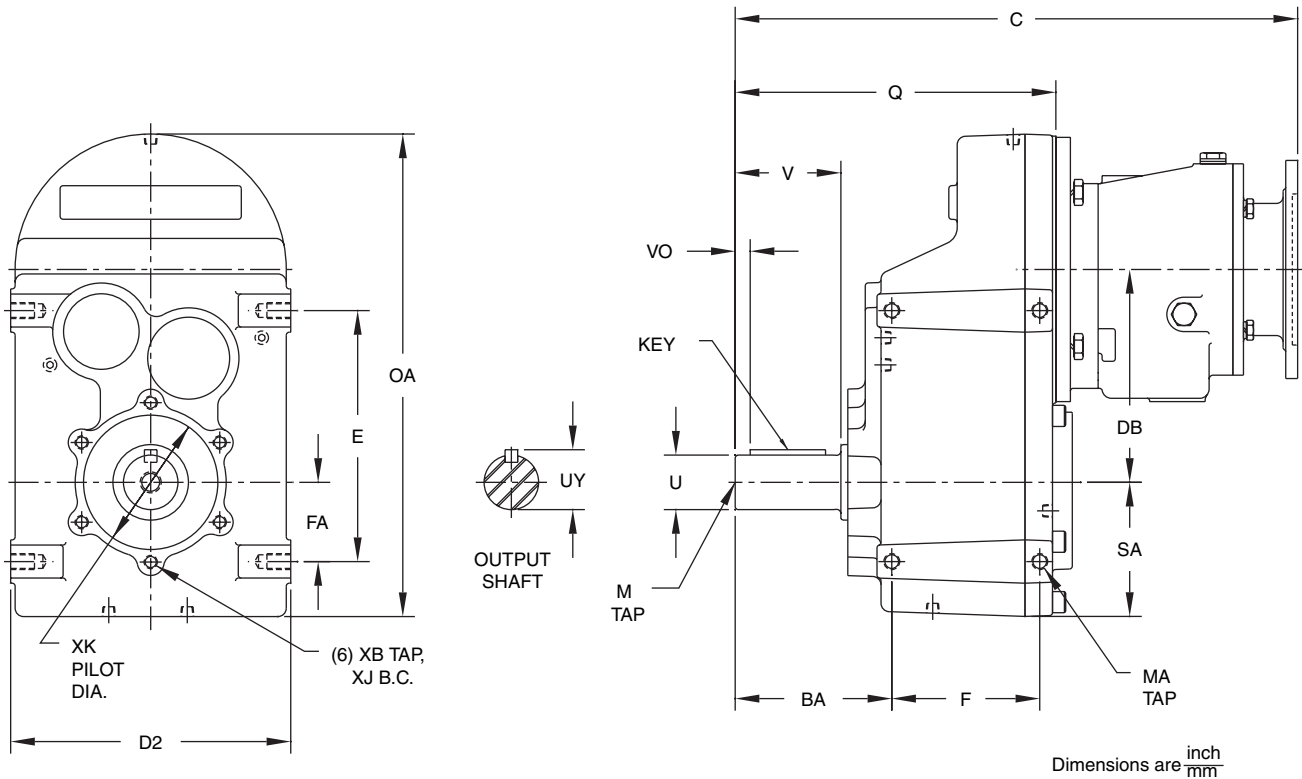
FAX: (605) 225-0567

J-33

VISIT OUR WEB SITE AT WWW.CLARKTR.COM

HUB CITY POWERATIO® 2000 – COMPACT HELICAL PARALLEL DRIVES

Quin Reduction



Gearcase

Model	BA	D2	DB	E	F	FA	MA	OA	Q	SA
HP2065EA	4.67	8.35	6.34	7.48	4.41	2.36	M12x1.75 x .71	14.37	9.56	4.00
	118.5	212	161.1	190	112	60	M12x1.75 x 18	365	243	101
HP2075EA	5.41	10.63	7.71	9.45	5.51	2.76	M16x2.0 x 1.02	17.82	11.59	4.94
	137.5	270	195.8	240	140	70	M16x2.0 x 26	453	294	125

Gearcase

Model	XB	XJ	XK
HP2065EA	M10x1.5 x .66	4.750	4.0020 ⁻⁰ _{+0.002}
	M10x1.5 x 16.7	120.65	101.651 ⁻⁰ _{+0.051}
HP2075EA	M12x1.75 x .95	5.375	4.3310 ⁻⁰ _{+0.002}
	M12x1.75 x 24.1	136.53	110.007 ⁻⁰ _{+0.051}

Output Shaft

U	UY	V	VO	KEY	M
1.625 ⁺⁰ _{-.001}	1.78	3.15	0.45	3/8 x 3/8 x 2-1/4	5/8 - 11 x 1.38
-	-	-	-	-	-
2.000 ⁺⁰ _{-.001}	2.21	3.94	0.64	1/2 x 1/2 x 2-5/8	3/4 - 10 x 1.61
-	-	-	-	-	-

Motor Compatibility - NEMA

Model		NEMA	
		56C	143TC 145TC
HP2065EA	C	16.81	16.81
		427	427
HP2075EA	C	19.93	19.93
		506	506

DIMENSIONS SHOWN ARE FOR REFERENCE ONLY. CERTIFIED PRINTS ARE AVAILABLE UPON REQUEST.

Dimensions subject to change without notice



For safety and to comply with local and national safety codes, the purchaser or user must provide protective guards over all shaft extensions and devices mounted thereon.

J-34

CALL: (605) 225-0360

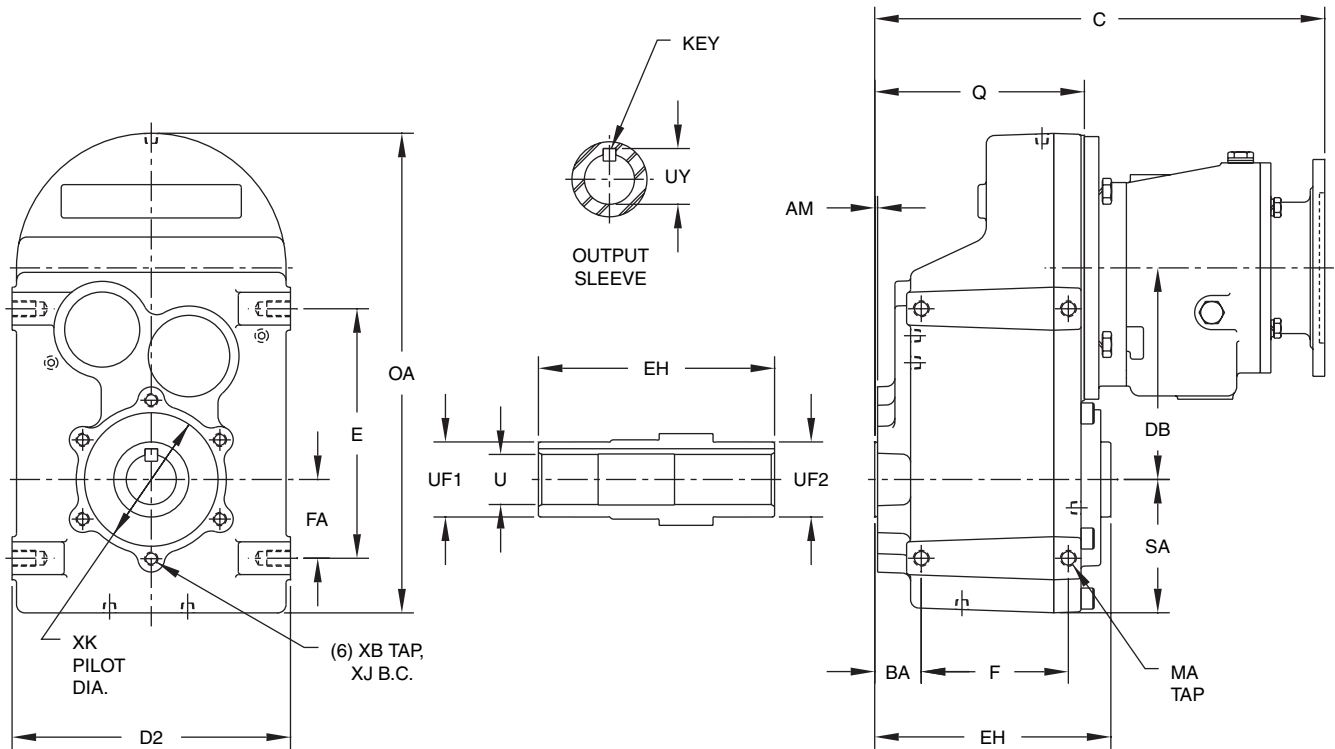


FAX: (605) 225-0567

VISIT OUR WEB SITE AT WWW.CLARKTR.COM

Quin Reduction

Reducer Dimensions



Gearcase

Model	AM	BA	D2	DB	E	F	FA	MA	OA	Q	SA
HP2065ES	.09	1.40	8.35	6.34	7.48	4.41	2.36	M12x1.75 x .71	14.37	6.29	4.00
	2.2	35.5	212	161.1	190	112	60	M12x1.75 x 18	365	160	101
HP2075ES	.16	1.44	10.63	7.71	9.45	5.51	2.76	M16x2.0 x 1.02	17.82	7.62	4.94
	4.0	36.6	270	195.8	240	140	70	M16x2.0 x 26	453	193	125

Gearcase

Model	XB	XJ	XK
HP2065ES	M10x1.5 x .66	4.750	4.0020 ⁻⁰ / _{+0.002}
	M10x1.5 x 16.7	120.65	101.651 ⁻⁰ / _{+0.051}
HP2075ES	M12x1.75 x .95	5.375	4.3310 ⁻⁰ / _{+0.002}
	M12x1.75 x 24.1	136.53	110.007 ⁻⁰ / _{+0.051}

Output Sleeve

EH	U	UF1	UF2	UY	KEY
7.08	1.500 ^{+0.0025} / ₋₀	2.25	2.25	1.67	(2) 3/8 x 3/8 x 2-1/4
-	-	-	-	-	-
8.27	2.000 ^{+0.0025} / ₋₀	2.75	2.75	2.23	(2) 1/2 x 1/2 x 2-5/8
-	-	-	-	-	-

Motor Compatibility - NEMA

Model		NEMA	
		56C	143TC 145TC
HP2065ES	C	13.54	13.54
		344	344
HP2075ES	C	15.96	15.96
		405	405

Dimensions subject to change without notice

DIMENSIONS SHOWN ARE FOR REFERENCE ONLY. CERTIFIED PRINTS ARE AVAILABLE UPON REQUEST.

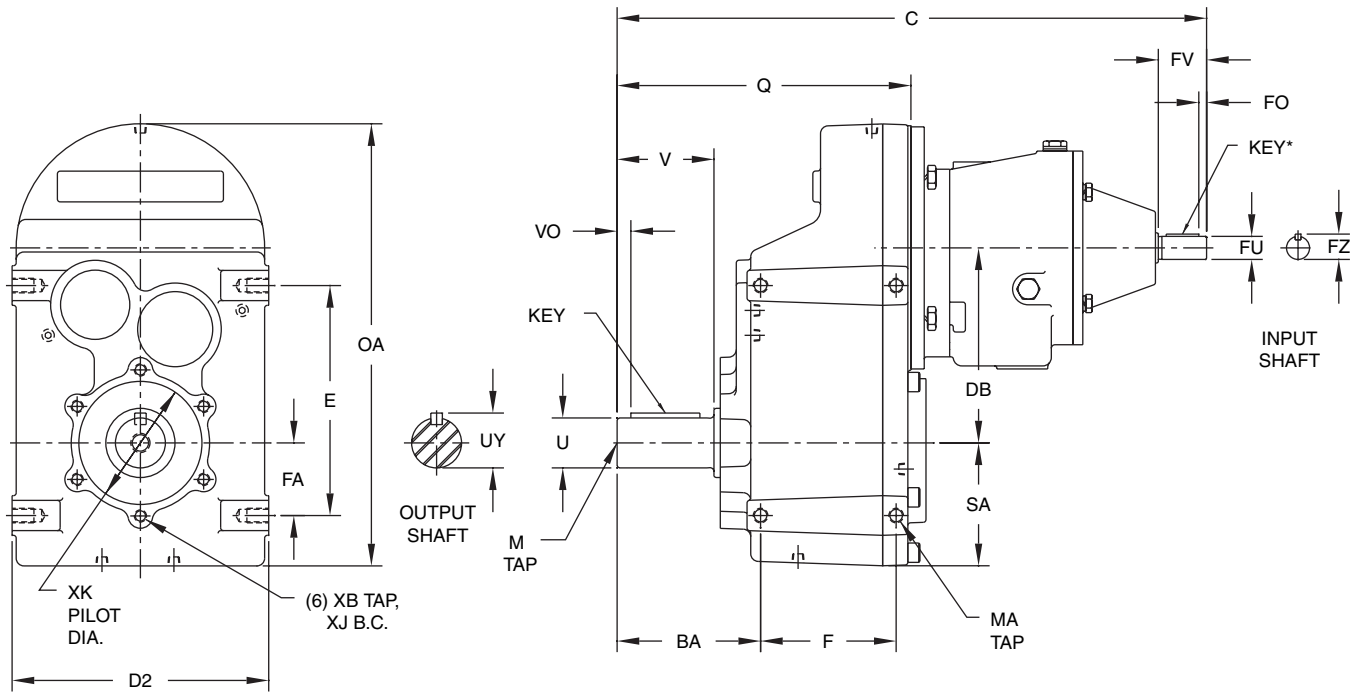


For safety and to comply with local and national safety codes, the purchaser or user must provide protective guards over all shaft extensions and devices mounted thereon.



HUB CITY POWERATIO® 2000 – COMPACT HELICAL PARALLEL DRIVES

Quin Reduction



Dimensions are $\frac{\text{inch}}{\text{mm}}$

Gearcase

Model	BA	D2	DB	E	F	FA	MA	OA	Q	SA
HP2065AA	4.67	8.35	6.34	7.48	4.41	2.36	M12x1.75 x .71	14.37	9.56	4.00
	118.5	212	161.1	190	112	60	M12x1.75 x 18	365	243	101
HP2075AA	5.41	10.63	7.71	9.45	5.51	2.76	M16x2.0 x 1.02	17.82	11.59	4.94
	137.5	270	195.8	240	140	70	M16x2.0 x 26	453	294	125

Gearcase

Model	XB	XJ	XK
HP2065AA	M10x1.5 x .66	4.750	4.0020 ⁰ _{+.002}
	M10x1.5 x 16.7	120.65	101.651 ⁰ _{+.051}
HP2075AA	M12x1.75 x .95	5.375	4.3310 ⁰ _{+.002}
	M12x1.75 x 24.1	136.53	110.007 ⁰ _{+.051}

Output Shaft

U	UY	V	VO	KEY	M
1.625 ⁰ _{-.001}	1.78	3.15	0.45	3/8 x 3/8 x 2-1/4	5/8 - 11 x 1.38
-	-	-	-	-	-
2.000 ⁰ _{-.001}	2.21	3.94	0.64	1/2 x 1/2 x 2-5/8	3/4 - 10 x 1.61
-	-	-	-	-	-

Input Shaft

Model	FU	FZ	FV	FO	KEY*
HP2065AA	0.625 ⁰ _{-.0005}	N/A	1.88	N/A	N/A
	-	-	-	-	-
HP2075AA	0.750 ⁰ _{-.0005}	0.82	1.57	0.25	3/16 x 3/16 x 1-1/16
	-	-	-	-	-

**Input/
Gearcase**

C
19.50
495
22.05
560

DIMENSIONS SHOWN ARE FOR REFERENCE ONLY. CERTIFIED PRINTS ARE AVAILABLE UPON REQUEST.

*INPUT KEY IS NOT FURNISHED WITH HP2065AA SHAFT HAS A 3/16 x 3/32 x 1-3/4 P&W KW. Dimensions subject to change without notice



For safety and to comply with local and national safety codes, the purchaser or user must provide protective guards over all shaft extensions and devices mounted thereon.

J-36

CALL: (605) 225-0360

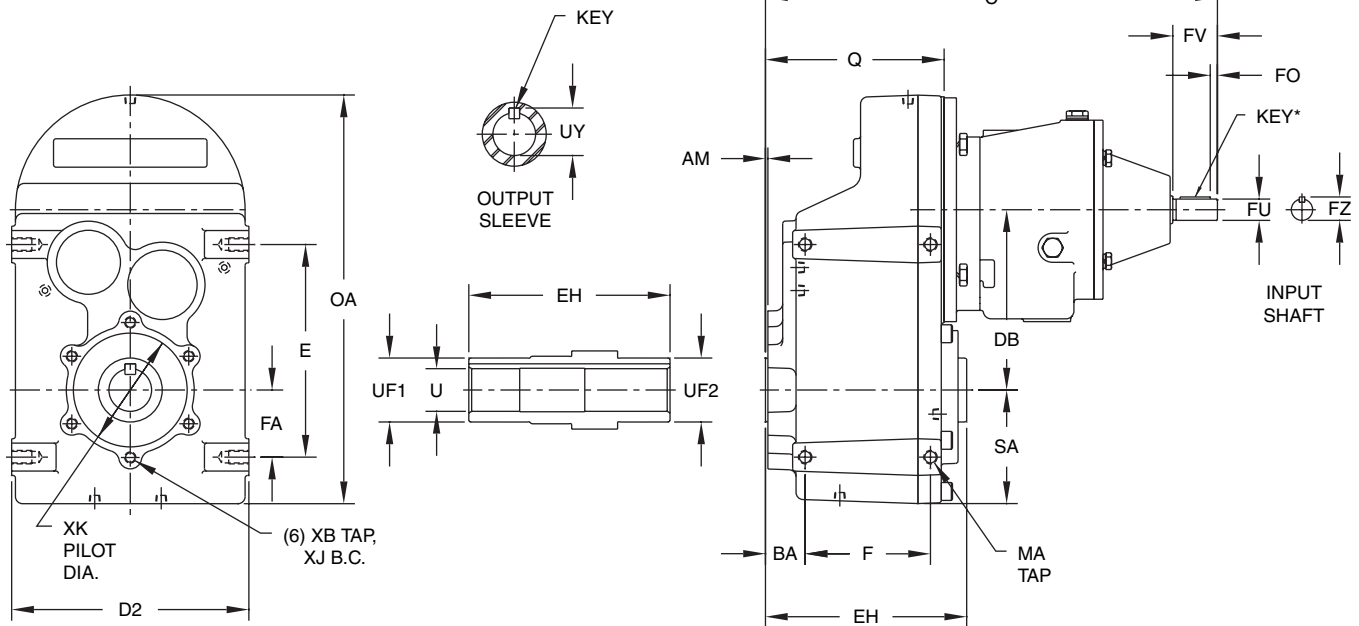


FAX: (605) 225-0567

VISIT OUR WEB SITE AT WWW.CLARKTR.COM

Quin Reduction

Reducer Dimensions



Dimensions are $\frac{\text{inch}}{\text{mm}}$

Gearcase

Model	AM	BA	D2	DB	E	F	FA	MA	OA	Q	SA
HP2065AS	.09	1.40	8.35	6.34	7.48	4.41	2.36	M12x1.75 x .71	14.37	6.29	4.00
	2.2	35.5	212	161.1	190	112	60	M12x1.75 x 18	365	160	101
HP2075AS	.16	1.44	10.63	7.71	9.45	5.51	2.76	M16x2.0 x 1.02	17.82	7.62	4.94
	4.0	36.6	270	195.8	240	140	70	M16x2.0 x 26	453	193	125

Gearcase

Model	XB	XJ	XK
HP2065AS	M10x1.5 x .66	4.750	4.0020 ⁻⁰ _{+0.002}
	M10x1.5 x 16.7	120.65	101.651 ⁻⁰ _{+0.051}
HP2075AS	M12x1.75 x .95	5.375	4.3310 ⁺⁰ _{+0.002}
	M12x1.75 x 24.1	136.53	110.007 ⁻⁰ _{+0.051}

Output Sleeve

EH	U	UF1	UF2	UY	KEY
7.08	1.500 ^{+0.0025} ₋₀	2.25	2.25	1.67	(2) 3/8 x 3/8 x 2-1/4
-	-	-	-	-	-
8.27	2.000 ^{+0.0025} ₋₀	2.75	2.75	2.23	(2) 1/2 x 1/2 x 2-5/8
-	-	-	-	-	-

Input Shaft

Model	FU	FZ	FV	FO	KEY*
HP2065AS	0.625 ⁺⁰ _{-.0005}	N/A	1.88	N/A	N/A
	-	-	-	-	-
HP2075AS	0.750 ⁺⁰ _{-.0005}	0.82	1.57	0.25	3/16 x 3/16 x 1-1/16
	-	-	-	-	-

**Input/
Gearcase**

C
16.23
412
18.07
459

DIMENSIONS SHOWN ARE FOR REFERENCE ONLY. CERTIFIED PRINTS ARE AVAILABLE UPON REQUEST.

*INPUT KEY IS NOT FURNISHED WITH HP2065AS SHAFT HAS A 3/16 x 3/32 x 1-3/4 P&W KW.

Dimensions subject to change without notice



For safety and to comply with local and national safety codes, the purchaser or user must provide protective guards over all shaft extensions and devices mounted thereon.

CALL: (605) 225-0360



FAX: (605) 225-0567

J-37

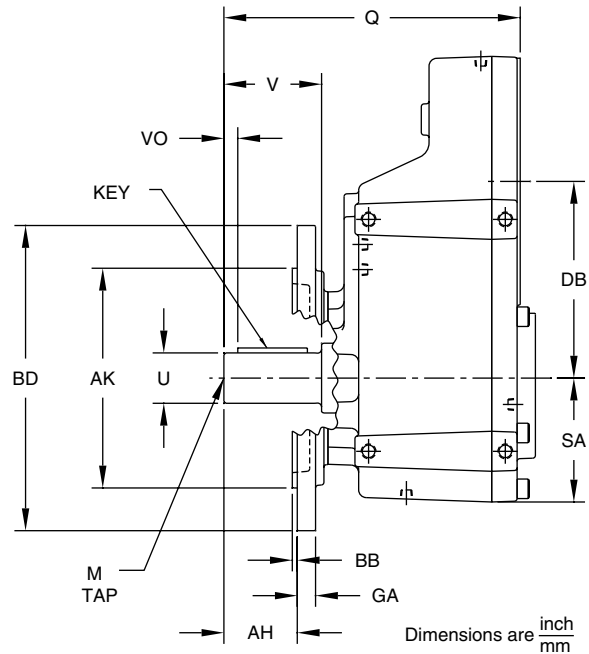
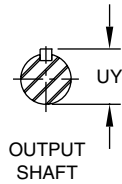
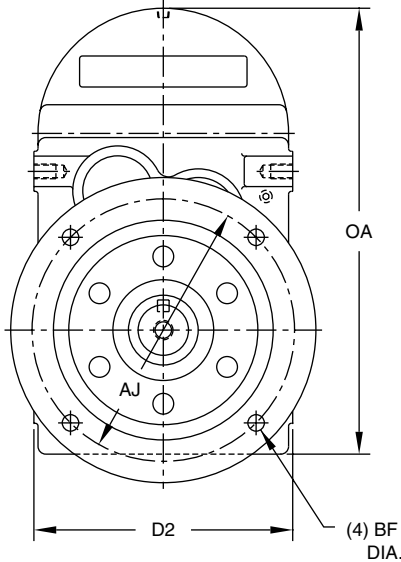
VISIT OUR WEB SITE AT WWW.CLARKTR.COM



HUB CITY POWERATIO® 2000 – COMPACT HELICAL PARALLEL DRIVES

Accessory Kits

Flange Mount with Output Shaft



Dimensions are $\frac{\text{inch}}{\text{mm}}$

Gearcase

Series	D2	DB	OA	Q	SA
HP2030	6.50	4.56	10.55	6.46	3.10
	165	115.8	268	164	79
HP2040	7.09	5.33	12.22	7.87	3.45
	180	135.4	310	200	88
HP2060	8.35	6.34	14.37	9.56	4.00
	212	161.1	365	243	101
HP2070	10.63	7.71	17.82	11.59	4.94
	270	195.8	453	294	125

Flange

AH	AJ	AK	BB	BD	BF	GA
1.02	5.12	4.331 ^{+0.0003} _{-.0024}	0.14	6.30	0.35	0.39
26	130	110 ⁺⁰ _{-.054}	3.5	160	9	10
1.38	6.50	5.118 ⁺⁰ _{-.002}	0.14	7.87	0.43	0.47
35	165	130 ^{-.0003} _{-.054}	3.5	200	11	12
2.37	8.46	7.087 ⁺⁰ _{-.002}	0.16	9.84	0.53	0.59
60	215	180 ^{+0.010} _{-.041}	4	250	13.5	15
2.52	10.43	9.055 ⁺⁰ _{-.002}	0.16	11.81	0.53	0.63
64	265	230 ^{-.0003} _{-.054}	4	300	13.5	16

Output Shaft

Series	U	UY	V	VO	KEY	M
HP2030	1.000 ⁺⁰ _{-.001}	1.10	1.97	0.29	1/4 x 1/4 x 1-5/16	3/8 - 16 x 0.88
HP2040	1.250 ⁺⁰ _{-.001}	1.36	2.36	0.29	1/4 x 1/4 x 1-11/16	1/2 - 13 x 1.13
HP2060	1.625 ⁺⁰ _{-.001}	1.78	3.15	0.45	3/8 x 3/8 x 2-1/4	5/8 - 11 x 1.38
HP2070	2.000 ⁺⁰ _{-.001}	2.21	3.94	0.64	1/2 x 1/2 x 2-5/8	3/4 - 10 x 1.61

Flange Mount Kit

Series	Kit Number
HP2030	0259-00040
HP2040	0259-00010
HP2060	0259-00005
HP2070	0259-00006

Flange mount kits are designed to be installed by the customer.

Dimensions subject to change without notice

DIMENSIONS SHOWN ARE FOR REFERENCE ONLY. CERTIFIED PRINTS ARE AVAILABLE UPON REQUEST.



For safety and to comply with local and national safety codes, the purchaser or user must provide protective guards over all shaft extensions and devices mounted thereon.

J-38

CALL: (605) 225-0360



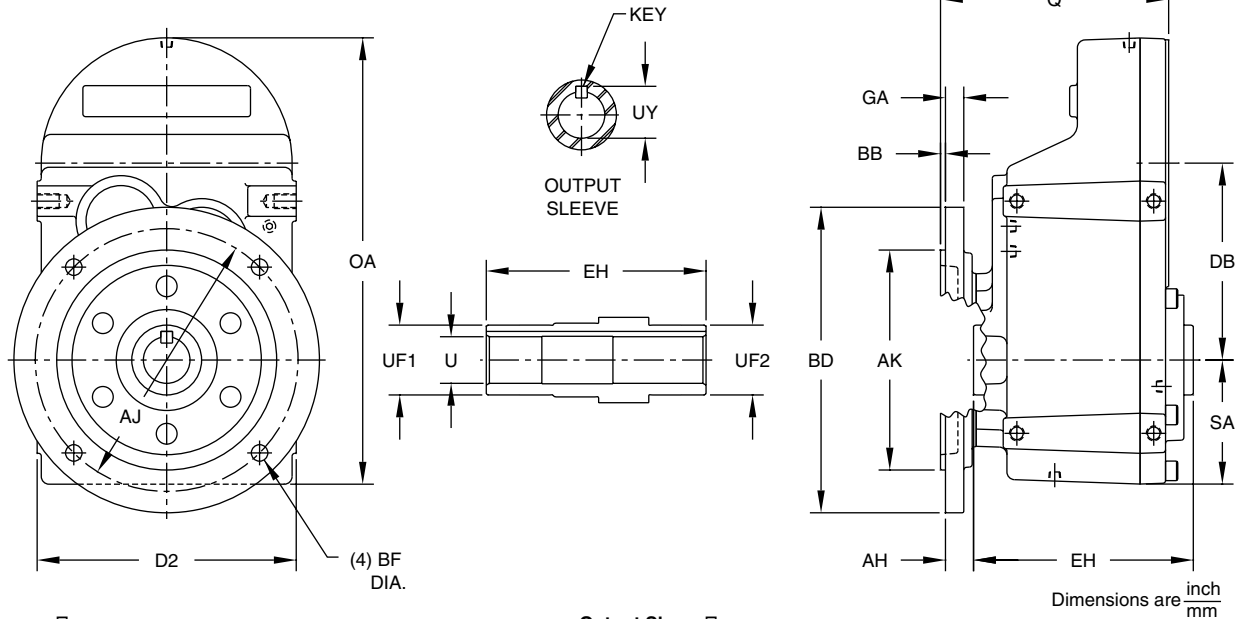
FAX: (605) 225-0567

VISIT OUR WEB SITE AT WWW.CLARKTR.COM

DIMENSIONS SHOWN ARE FOR REFERENCE ONLY.
CERTIFIED PRINTS ARE AVAILABLE UPON REQUEST.

Accessory Kits

Flange Mount with Output Sleeve



Reducer Dimensions

Dimensions are $\frac{\text{inch}}{\text{mm}}$

Gearcase

Series	D2	DB	OA	Q	SA
HP2030	6.50	4.56	10.55	5.58	3.10
	165	115.8	268	142	79
HP2040	7.09	5.33	12.22	6.63	3.45
	180	135.4	310	168	88
HP2060	8.35	6.34	14.37	7.35	4.00
	212	161.1	365	187	101
HP2070	10.63	7.71	17.82	9.23	4.94
	270	195.8	453	234	125

Output Sleeve

EH	U	UF1	UF2	UY	KEY
4.72	1.250 ^{+0.0025} ₋₀	1.77	1.75	1.37	(2) 1/4 x 1/4 x 1-11/16
-	-	-	-	-	-
5.91	1.375 ^{+0.0025} ₋₀	1.97	1.94	1.52	(2) 5/16 x 5/16 x 1-3/4
-	-	-	-	-	-
7.08	1.500 ^{+0.0025} ₋₀	2.25	2.25	1.67	(2) 3/8 x 3/8 x 2-1/4
-	-	-	-	-	-
8.27	2.000 ^{+0.0025} ₋₀	2.75	2.75	2.23	(2) 1/2 x 1/2 x 2-5/8
-	-	-	-	-	-

Flange

Series	AH	AJ	AK	BB	BD	BF	GA
HP2030	0.94	5.12	4.331 ^{-0.003} _{-0.0024}	0.14	6.30	0.35	0.39
	24	130	110 ⁺⁰ _{-0.054}	3.5	160	9	10
HP2040	0.98	6.50	5.118 ⁺⁰ _{-0.002}	0.14	7.87	0.43	0.47
	25	165	130 ^{-0.003} _{-0.054}	3.5	200	11	12
HP2060	0.90	8.46	7.087 ⁺⁰ _{-0.002}	0.16	9.84	0.53	0.59
	23	215	180 ^{+0.010} _{-0.041}	4	250	13.5	15
HP2070	1.45	10.43	9.055 ⁺⁰ _{-0.002}	0.16	11.81	0.53	0.63
	37	265	230 ^{-0.003} _{-0.054}	4	300	13.5	16

Flange Mount Kit

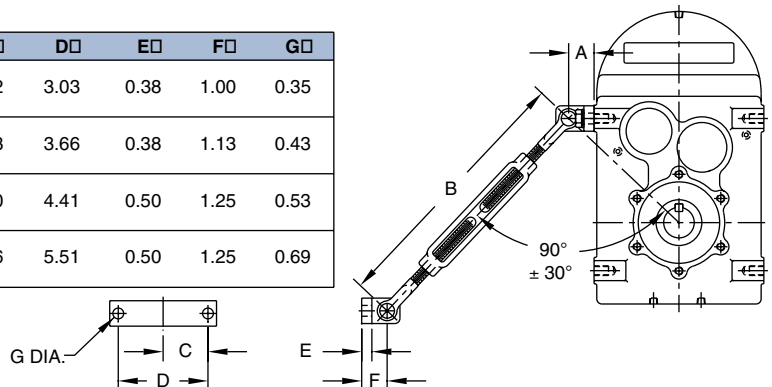
Series	Kit Number
HP2030	0259-00040
HP2040	0259-00010
HP2060	0259-00005
HP2070	0259-00006

Flange mount kits are designed to be installed by the customer.

Torque Arm Kit

Series	Kit Number	A	B	C	D	E	F	G
HP2030	0259-00018	1.00	11.13 MIN. 17.00 MAX.	1.52	3.03	0.38	1.00	0.35
HP2040	0259-00019	1.13	12.50 MIN. 18.38 MAX.	1.83	3.66	0.38	1.13	0.43
HP2060	0259-00020	1.25	12.50 MIN. 18.38 MAX.	2.20	4.41	0.50	1.25	0.53
HP2070	0259-00021	1.25	12.50 MIN. 18.38 MAX.	2.76	5.51	0.50	1.25	0.69

Dimensions subject to change without notice



For safety and to comply with local and national safety codes, the purchaser or user must provide protective guards over all shaft extensions and devices mounted thereon.

Shipping Weights & Motor Compatibility

DIMENSIONS SHOWN ARE FOR REFERENCE ONLY.
CERTIFIED PRINTS ARE AVAILABLE UPON REQUEST.

**Reducer Weights - Styles A & S

Model	Solid Input Shaft (Mounting Type A)	C-Frame Quill input (Mounting Type E)			
		56C	143TC 145TC	182TC 184TC	213TC 215TC
HP2032	48	50	50		
HP2033	50	52	52		
HP2042	65	67	67		
HP2043	67	69	69		
HP2062	95	97	97	105	
HP2063	98	100	100	108	
HP2065	126	128	128		
HP2072	143	146	146	155	155
HP2073	148	151	151	160	160
HP2075	183	186	186		

Motor Compatibility - C-Frame Quill Reducers

Model	56C	143TC 145TC	182TC 184TC	213TC 215TC
HP2032	X	X	-	-
HP2033	X	X	-	-
HP2042	X	X	-	-
HP2043	X	X	-	-
HP2062	X	X	X	-
HP2063	X	X	X	-
HP2065	X	X	-	-
HP2072	X	X	X	X
HP2073	X	X	X	X
HP2075	X	X	-	-

FOR FACTORY OPTIONS SEE PAGE L-53

** For motorized reducer weights, add motor weights from electric motor charts in Section H to reducer weights shown on this page.

** For Integral gearmotor weights, follow instructions above (with similar hp C-face motor), and multiply by .95.



For safety and to comply with local and national safety codes, the purchaser or user must provide protective guards over all shaft extensions and devices mounted thereon.

J-40

CALL: (605) 225-0360



FAX: (605) 225-0567

VISIT OUR WEB SITE AT WWW.CLARKTR.COM